



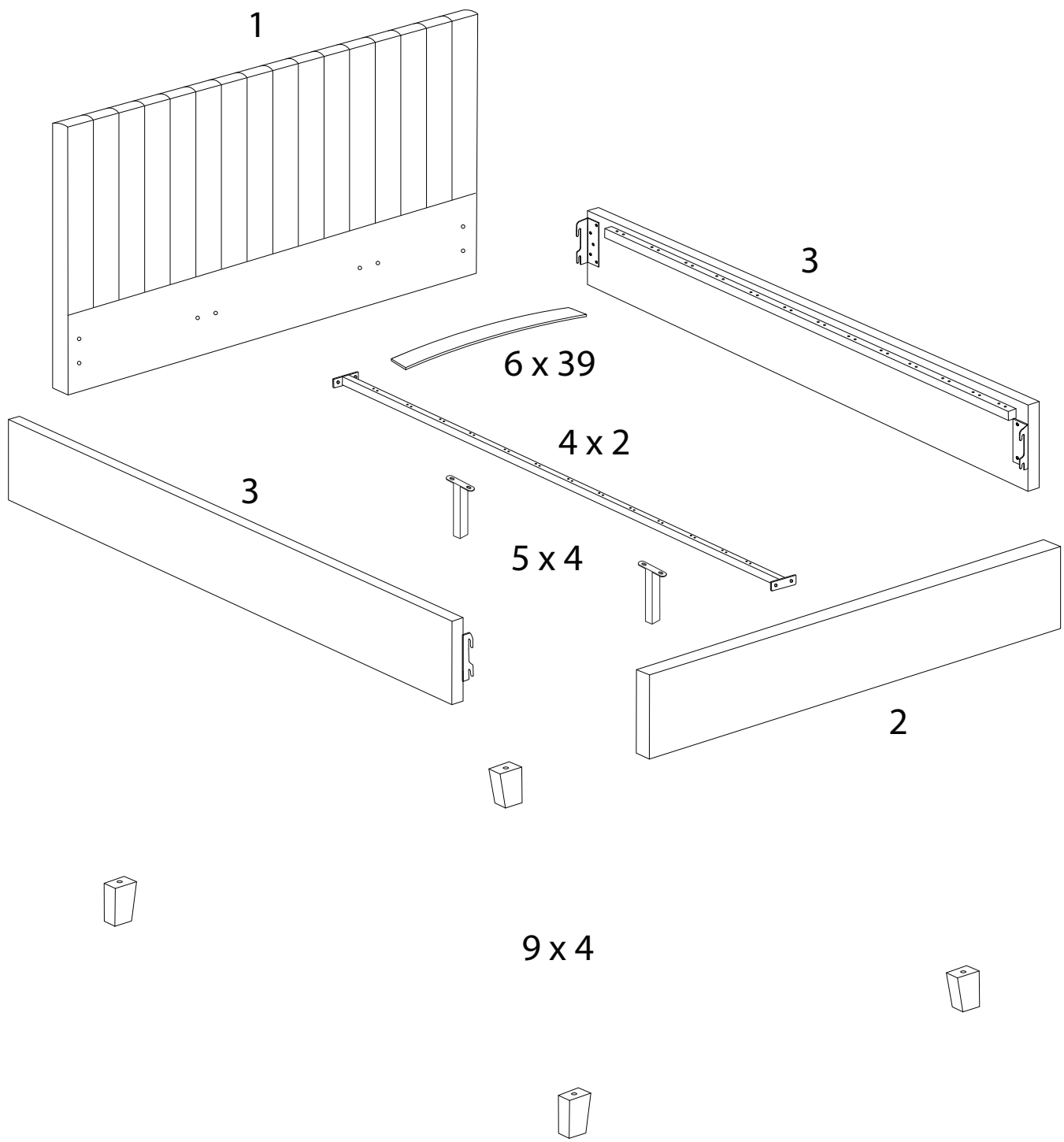
Assembly instructions for the bed frame, including tool requirements, estimated time, and personnel needed.

**Tools:** An icon shows an Allen key and a wrench inside a circle, with a crossed-out power drill icon next to it, indicating that a power drill is not required.

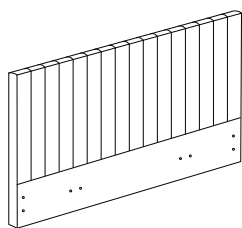
**Warning:** A triangle with an exclamation mark indicates a warning.

**Time:** A clock icon is shown above the text "40'", indicating an estimated assembly time of 40 minutes.

**Personnel:** A person icon is shown above the text "2", indicating that two people are required for assembly.

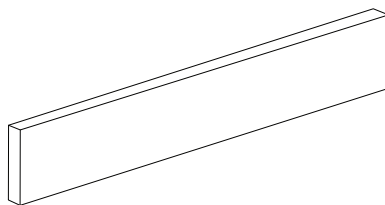


1



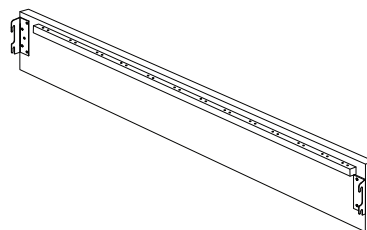
x 1

2



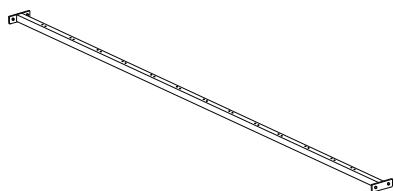
x 1

3



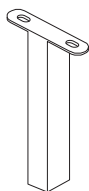
x 2

4



x 2

5



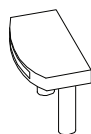
x 4

6



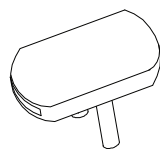
x 39

7



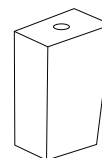
x 26

8



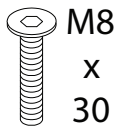
x 26

9



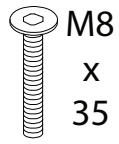
x 4

A



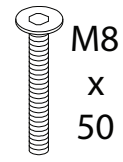
x 16

B



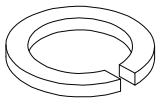
x 8

C



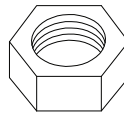
x 4

D



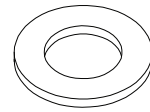
x 8

E



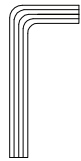
x 8

F



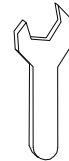
x 12

G



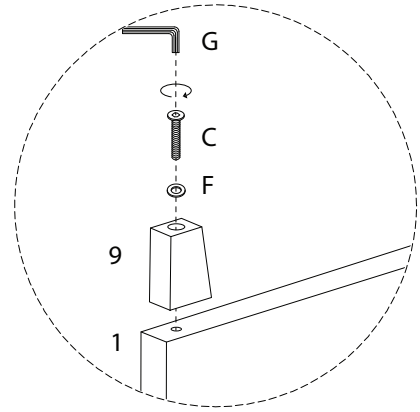
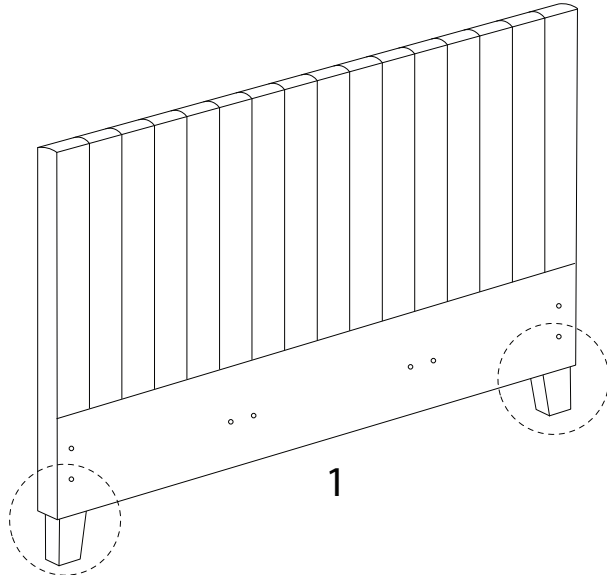
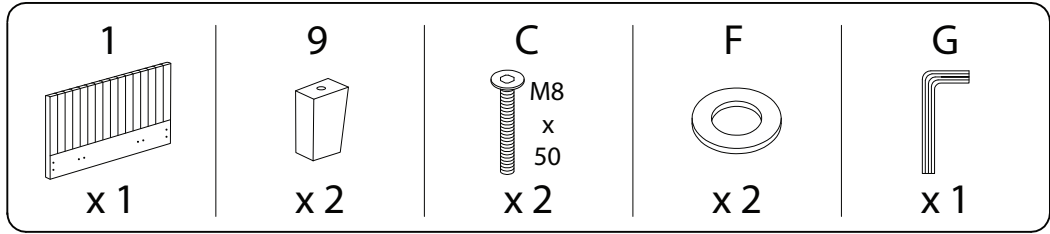
x 1

H

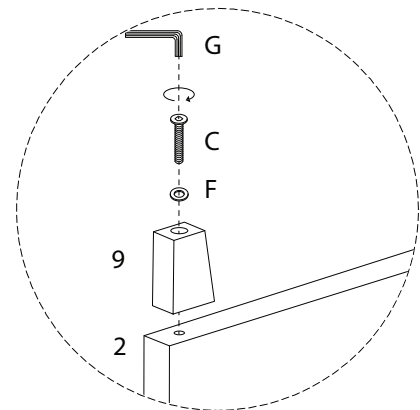
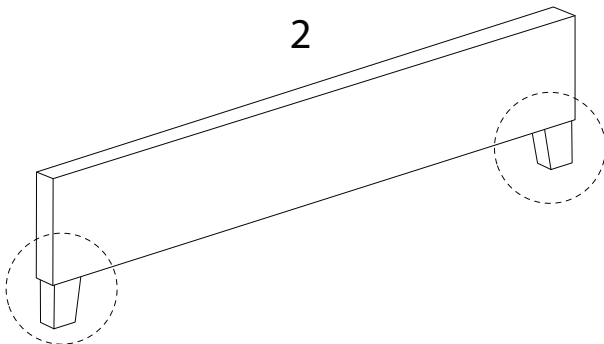
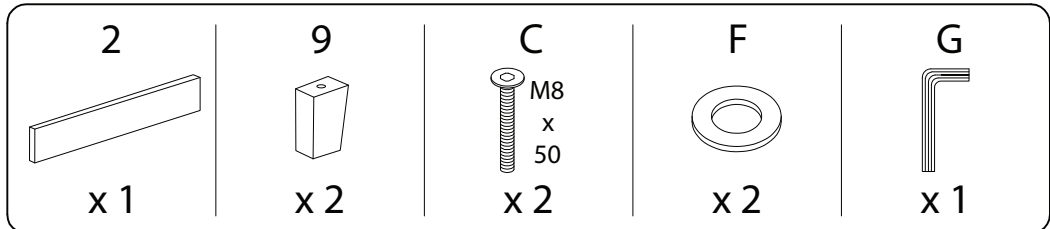


x 1

1



2



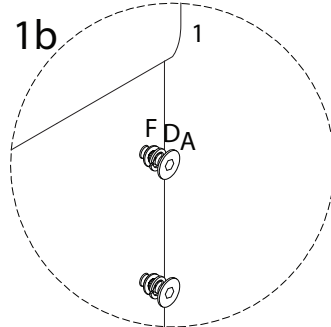
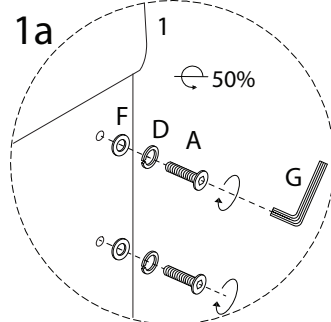
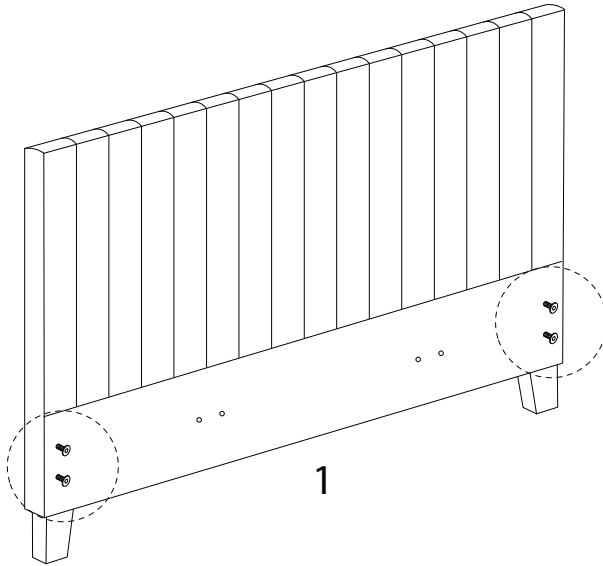
3

A  
M8  
x  
30  
x 4

D  
x 4

F  
x 4

G  
x 1



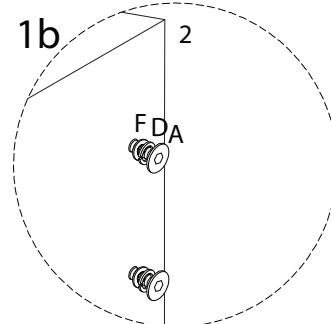
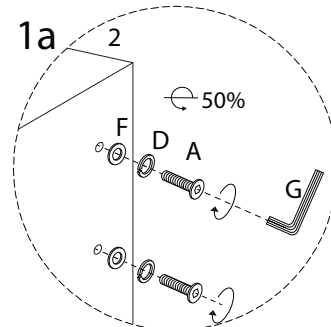
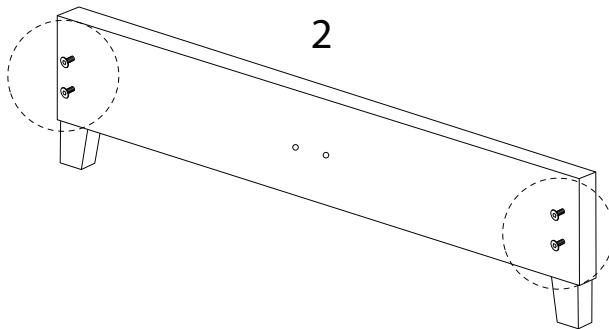
4

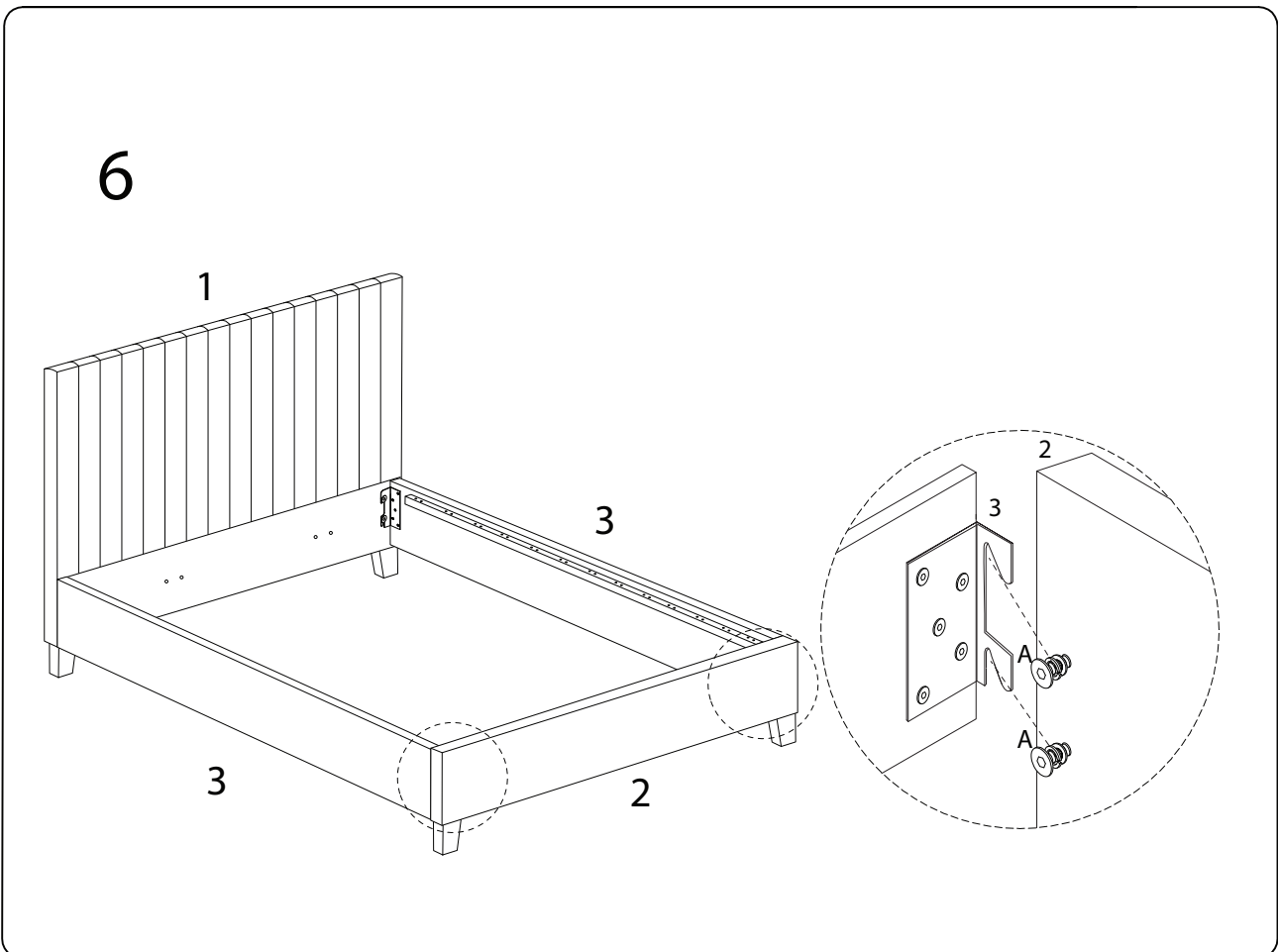
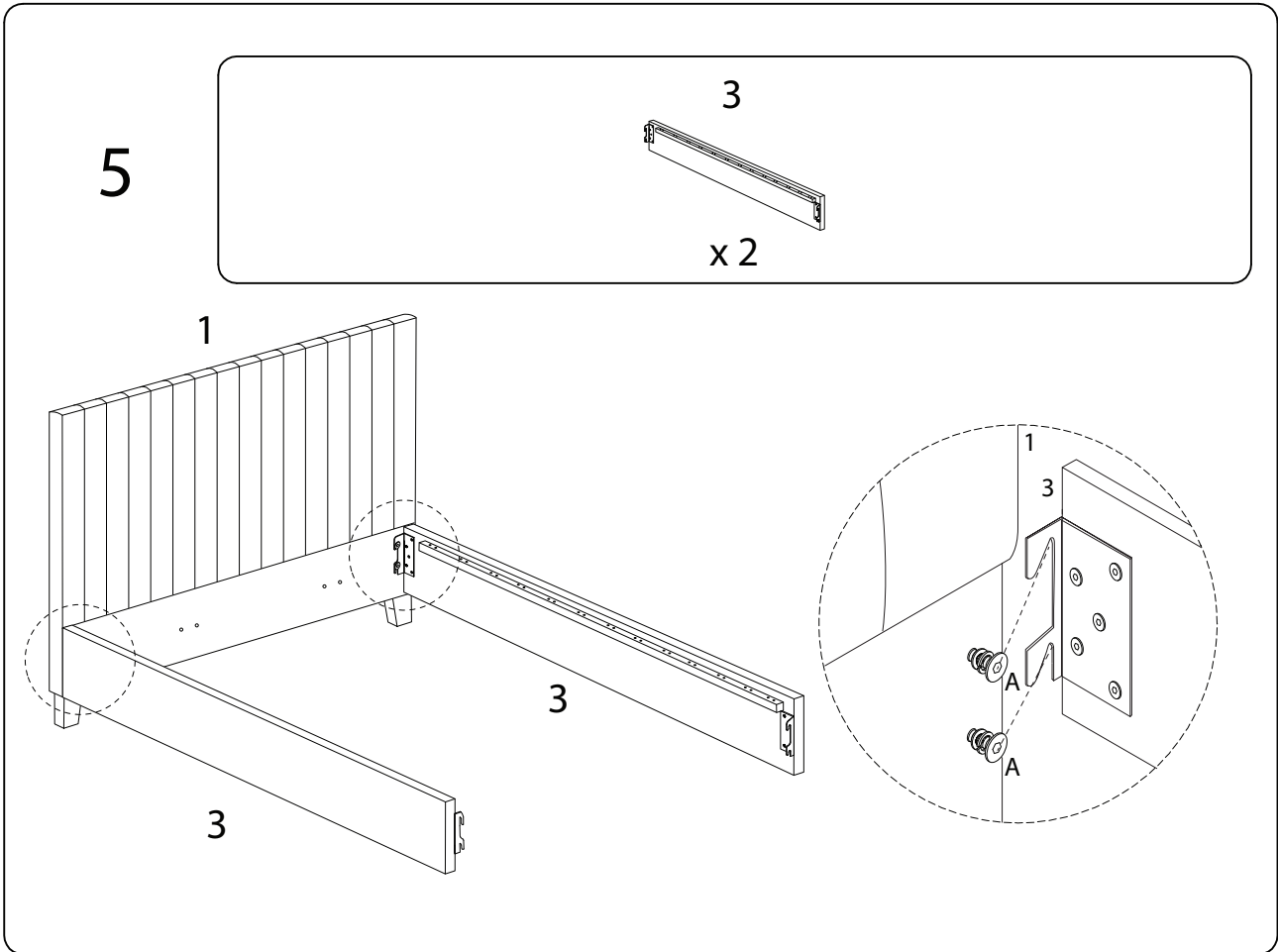
A  
M8  
x  
30  
x 4

D  
x 4

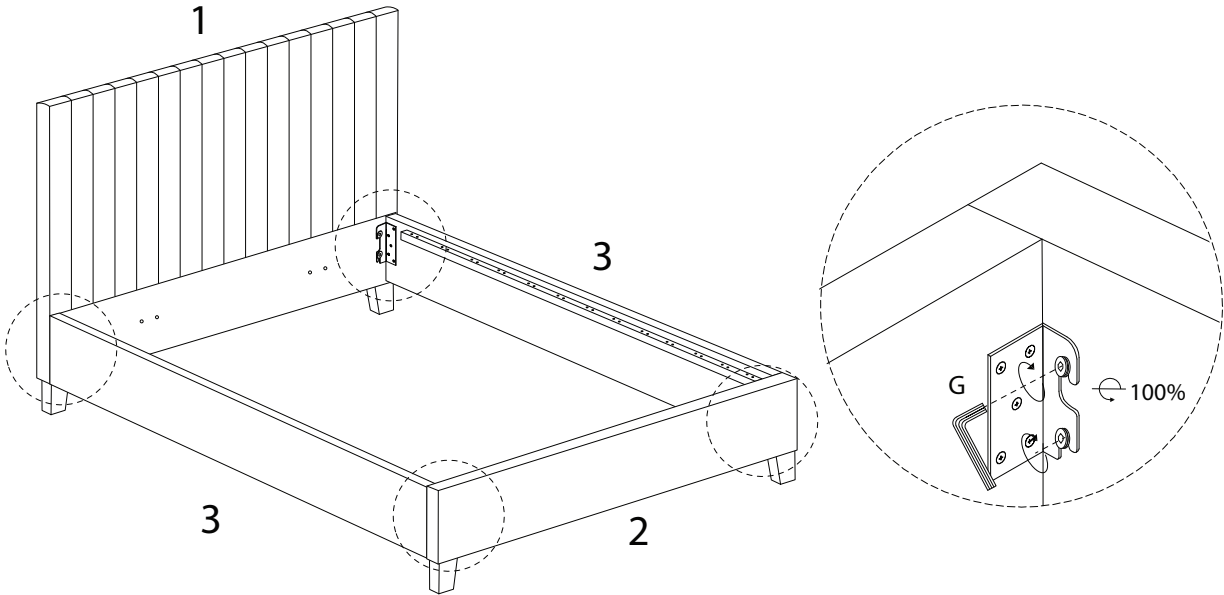
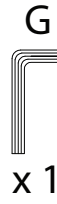
F  
x 4

G  
x 1

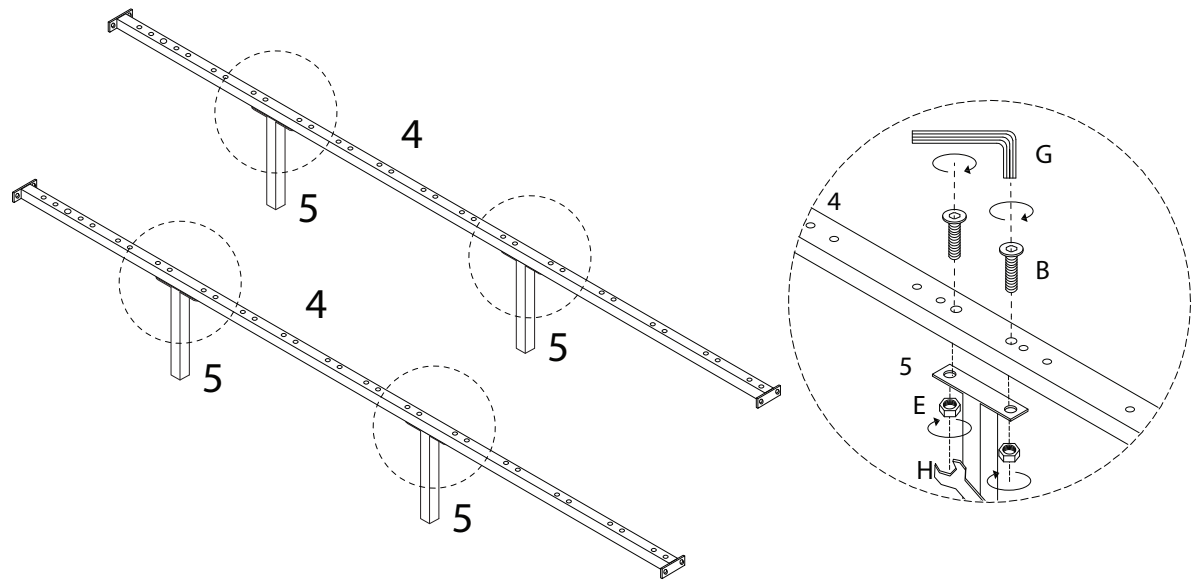
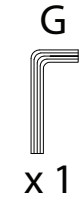
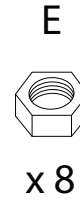
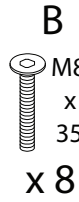




7



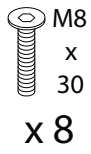
8



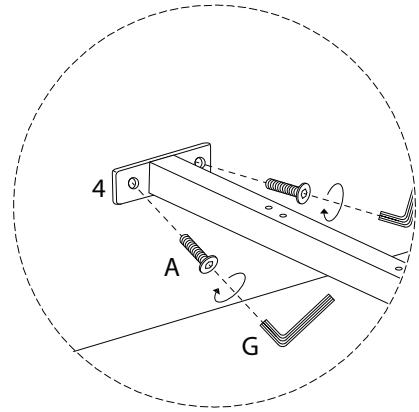
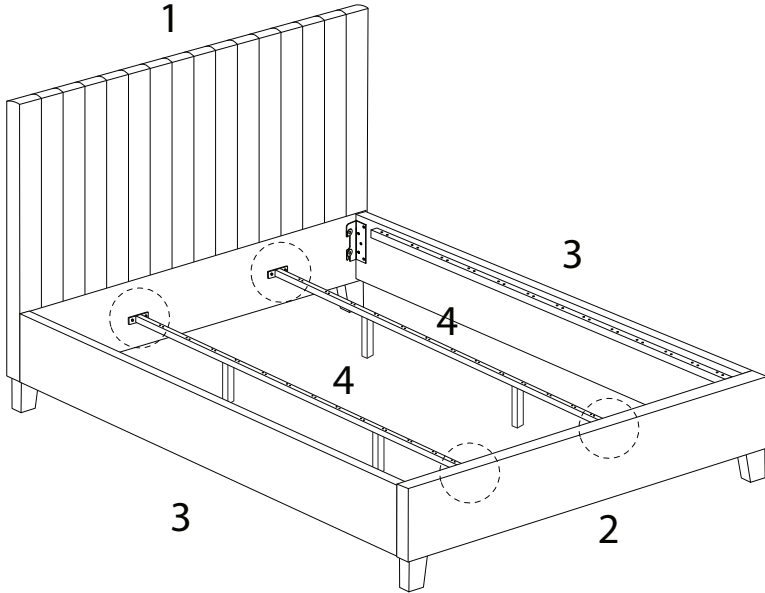


9

A

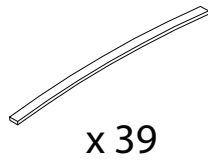


G



10

6



7



8

