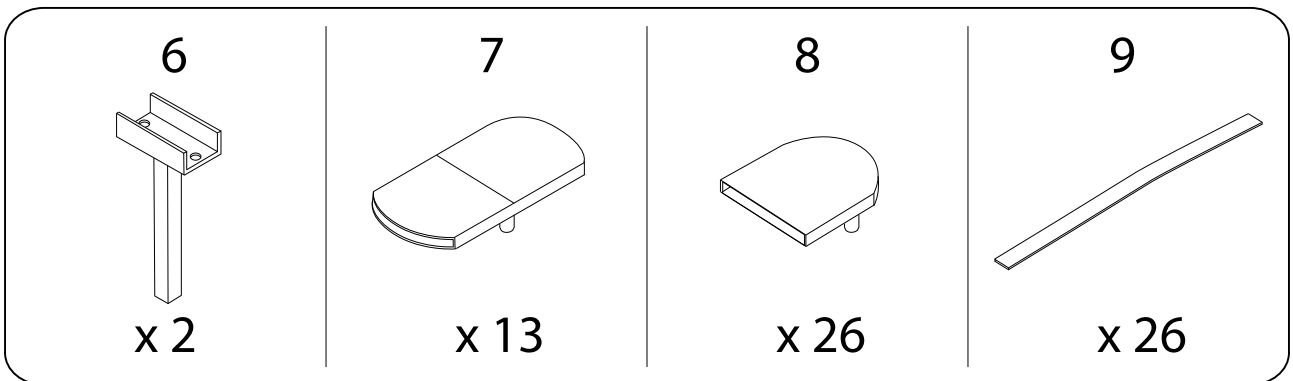
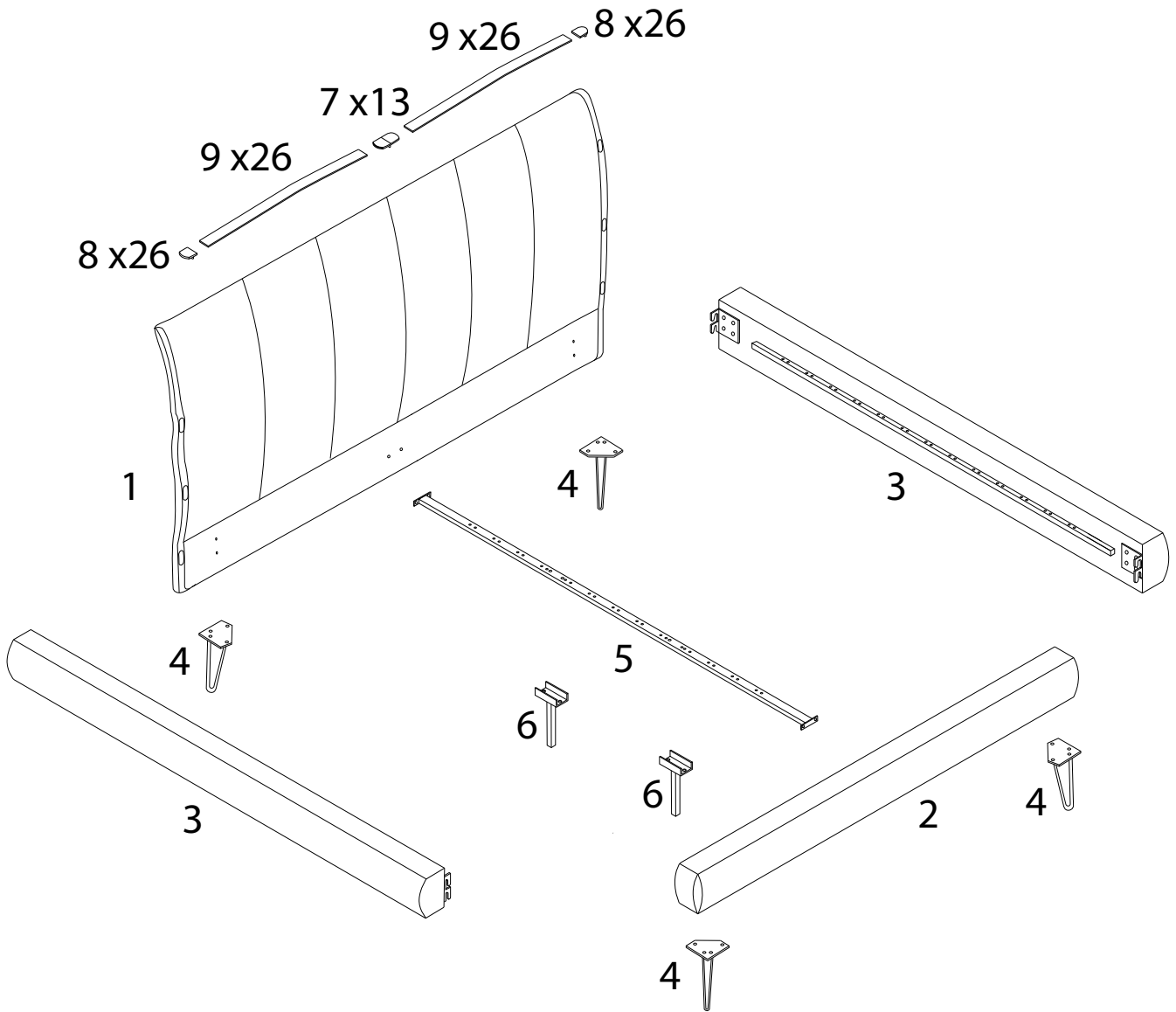
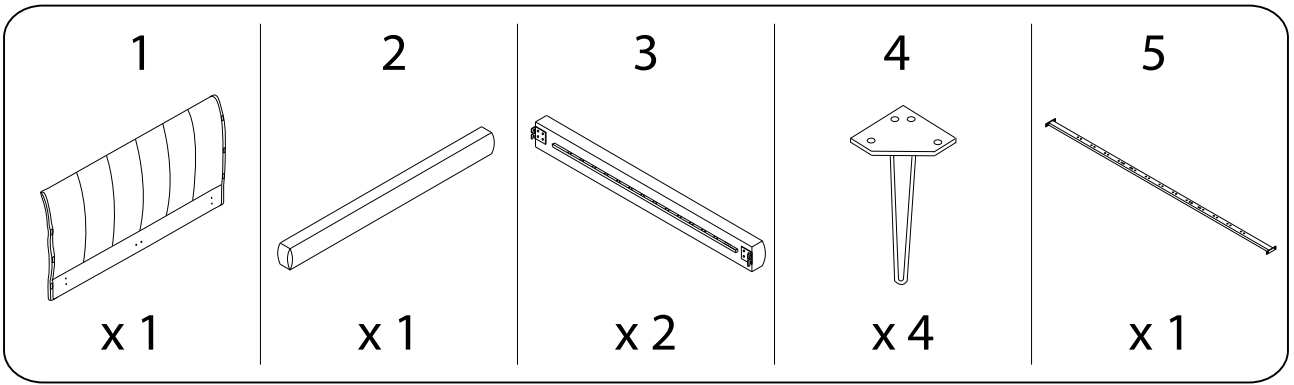
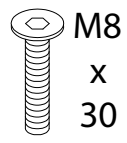


Assembly instructions for the bed frame:

- Tools:** A circle containing an L-shaped Allen key and a wrench, and a crossed-out power drill icon, indicating that a power drill is not to be used. A warning triangle with an exclamation mark is positioned to the right.
- Time:** A clock icon with the text "30'" below it, indicating an estimated assembly time of 30 minutes.
- Personnel:** A person icon with the number "2" below it, indicating that two people are required for assembly. A warning triangle with an exclamation mark is positioned to the left.
- Warning:** A circle containing a diagram of a mattress being placed on the slatted base, and a crossed-out diagram of a mattress being placed on a solid surface, indicating that the mattress should be placed on the slatted base.

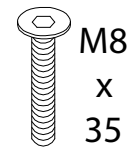


**A**



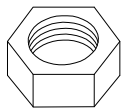
x 28

**B**



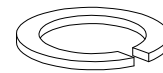
x 4

**C**



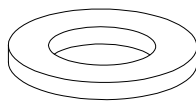
x 4

**D**



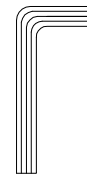
x 8

**E**



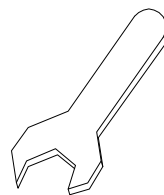
x 28

**F**



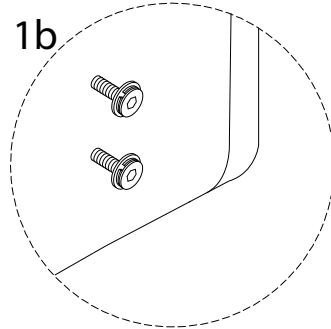
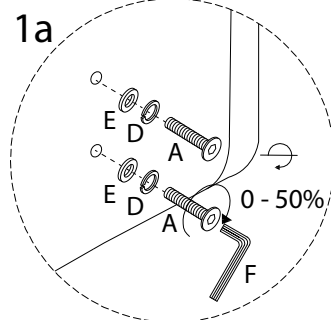
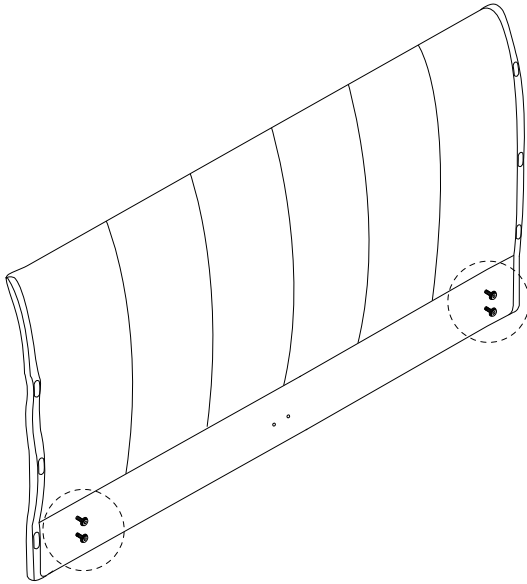
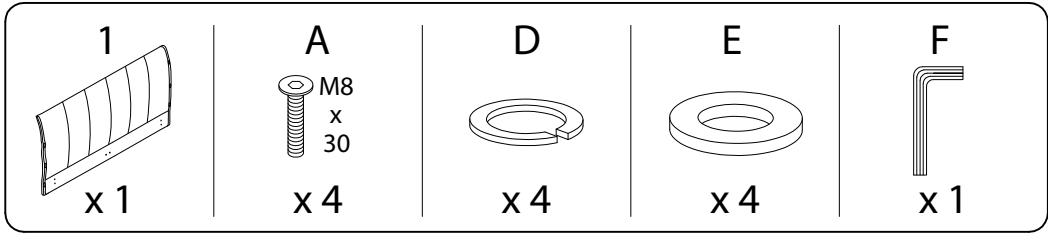
x 1

**G**

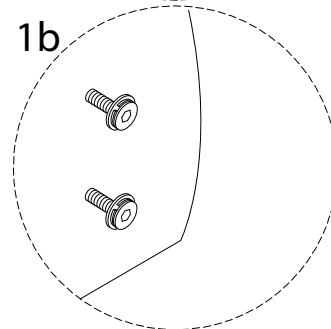
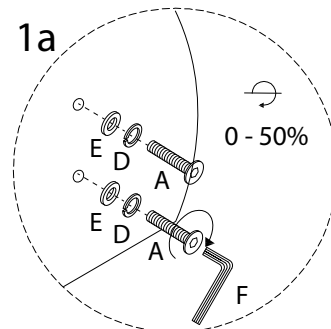
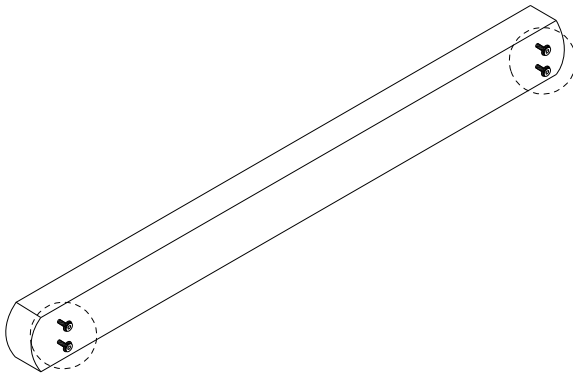
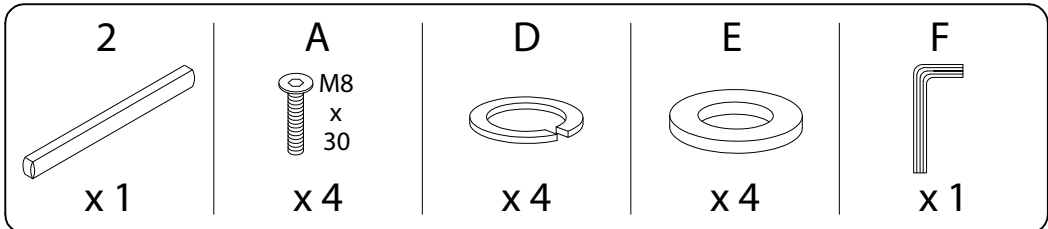


x 1

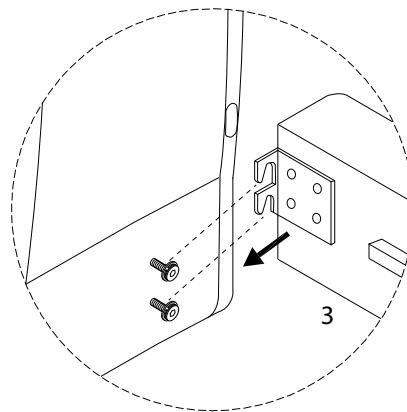
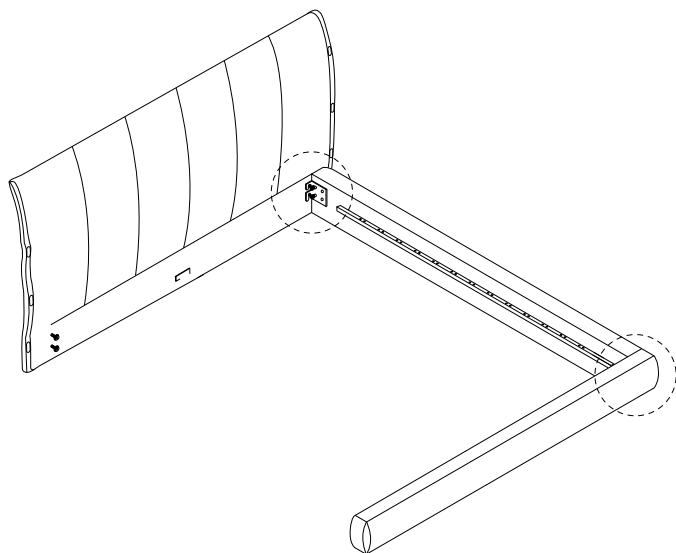
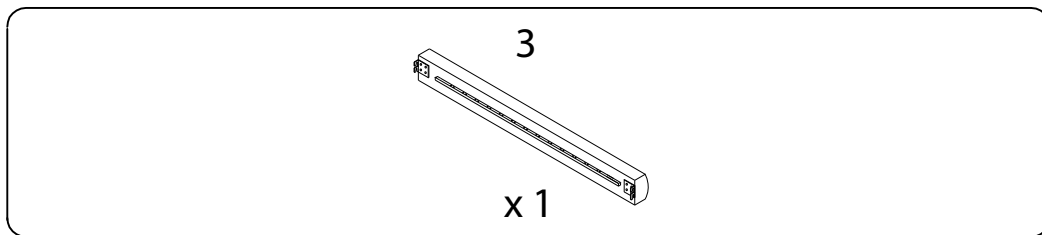
1



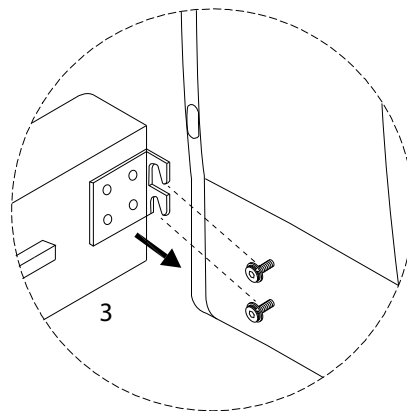
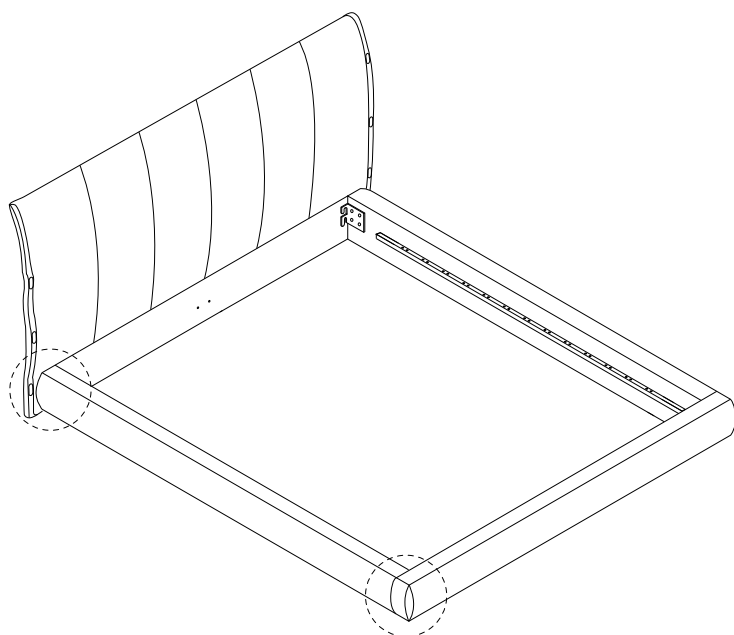
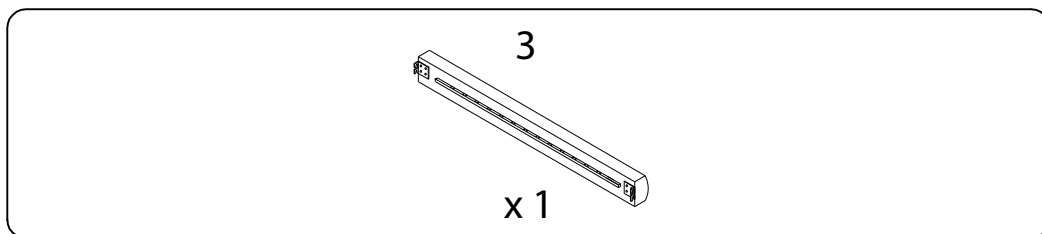
2



3



4



5

4



x 4

A



M8  
x  
30

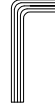
x 16

E

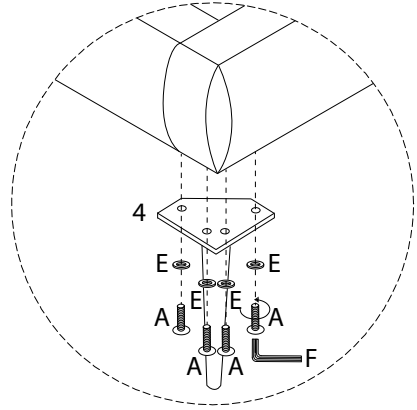
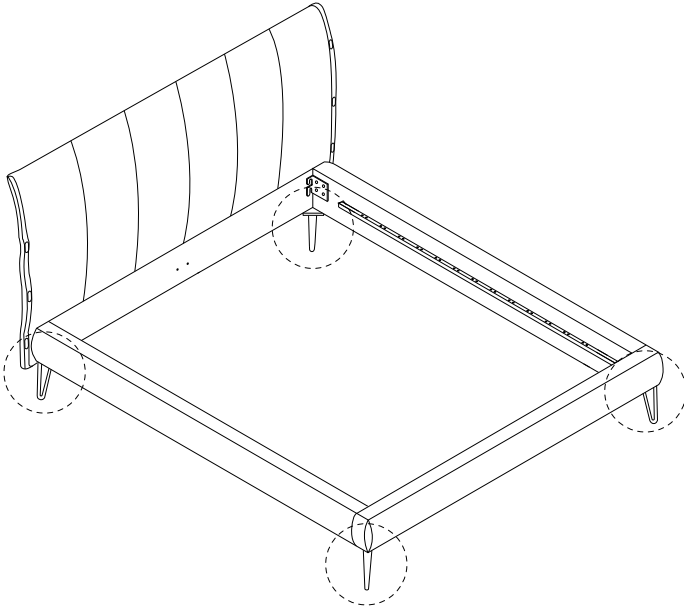


x 16

F



x 1



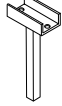
6

5



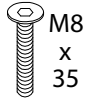
x 1

6



x 2

B



M8  
x  
35

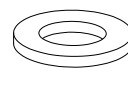
x 4

C



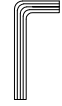
x 4

E



x 4

F

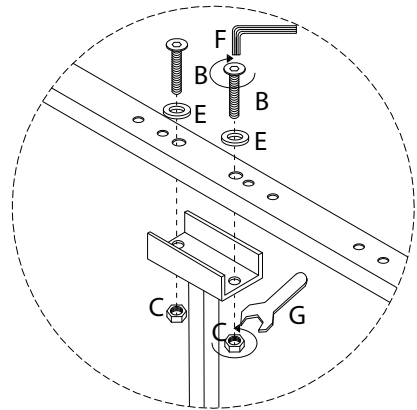
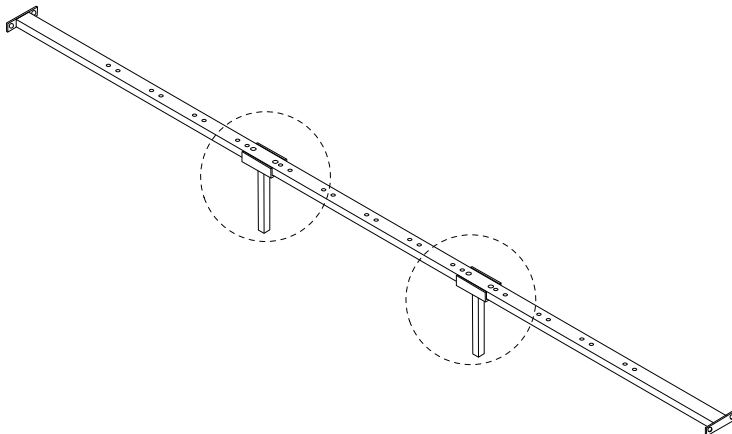


x 1

G



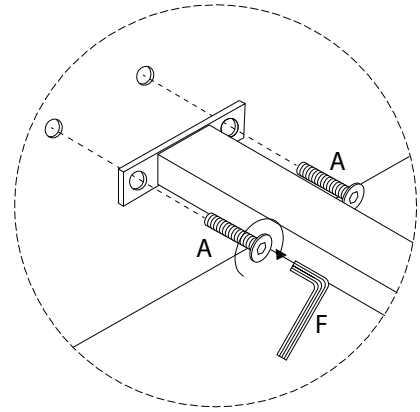
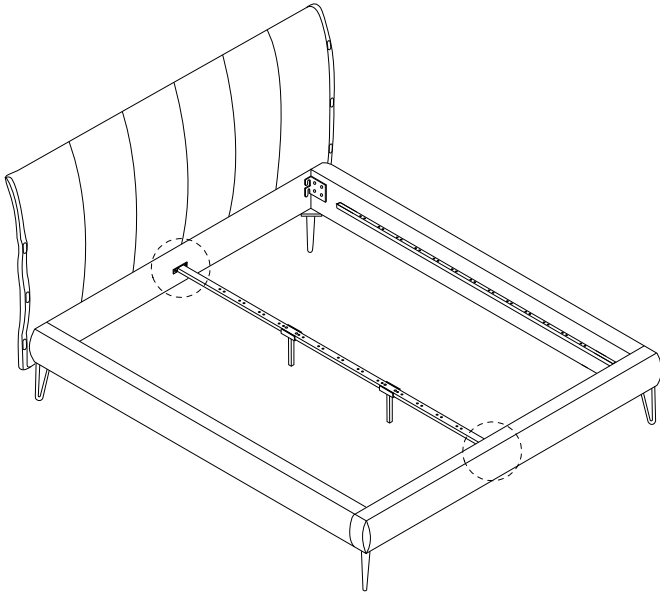
x 1



7

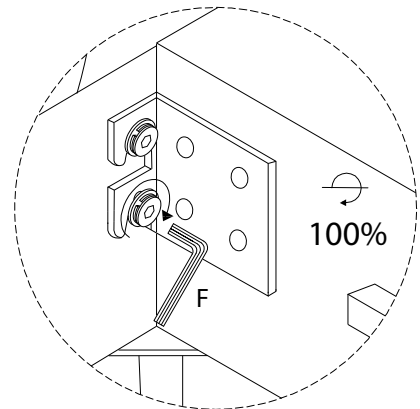
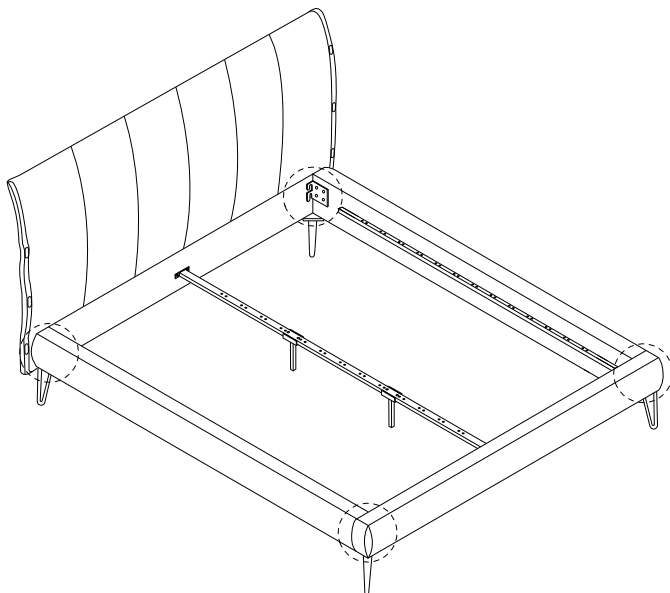
A  
M8  
x  
30  
x 4

F  
x 1

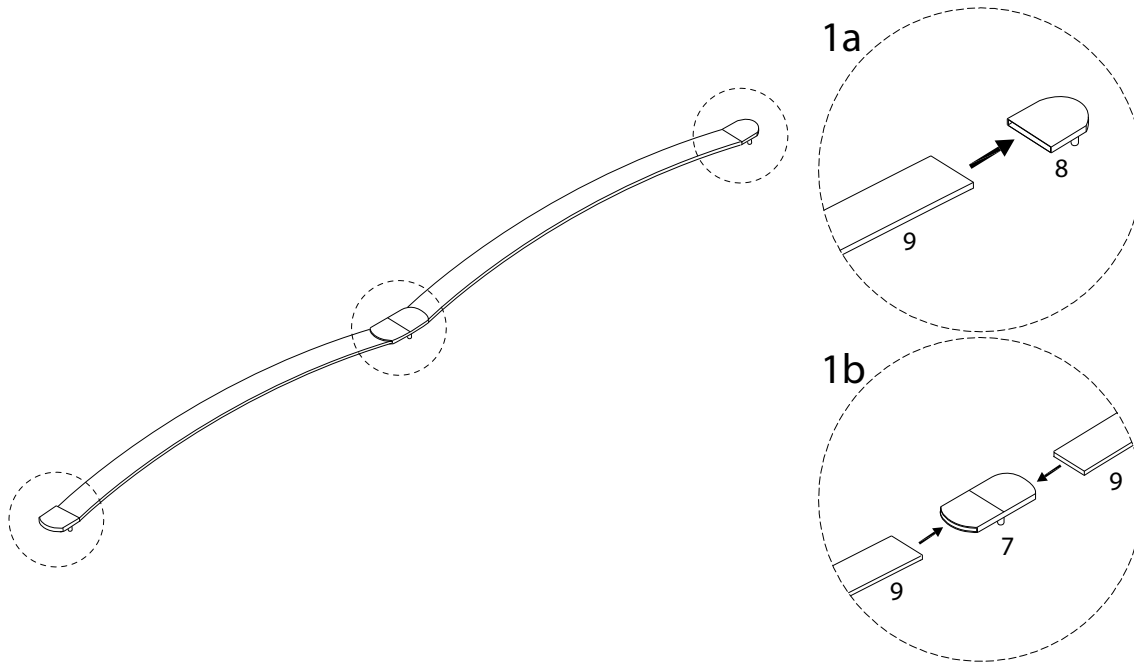
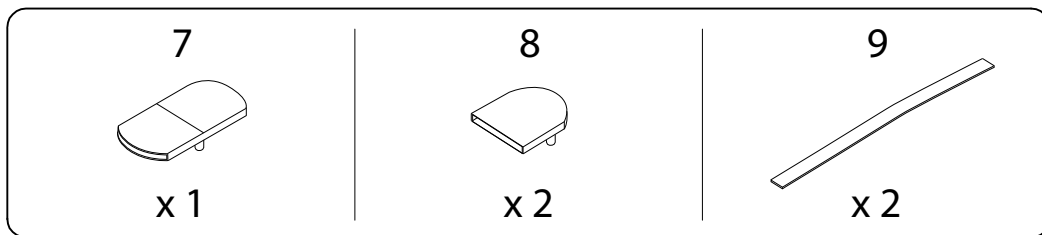


8

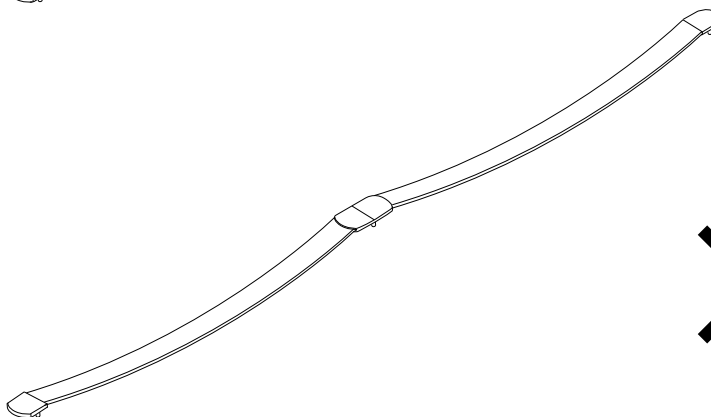
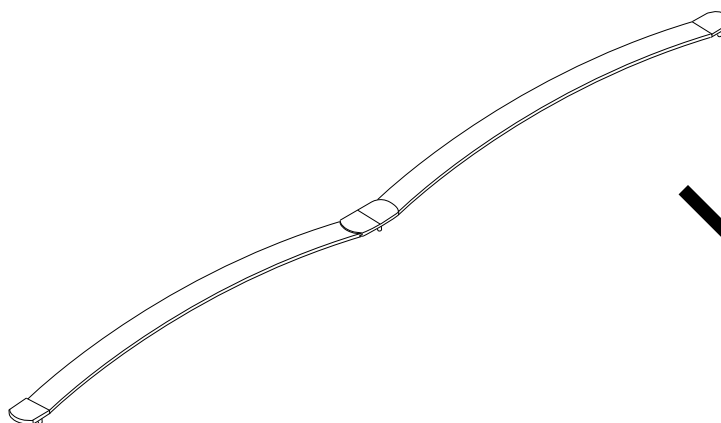
F  
x 1



9 x13



!





10

