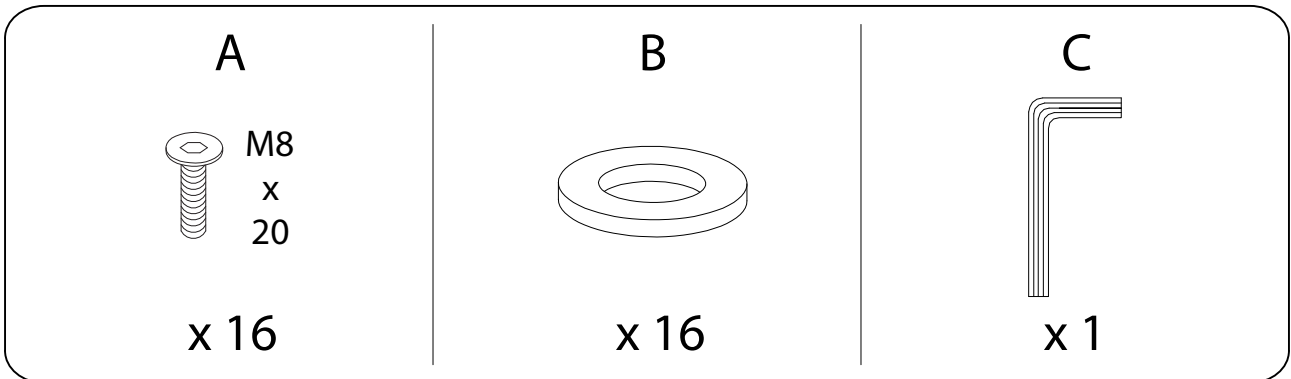
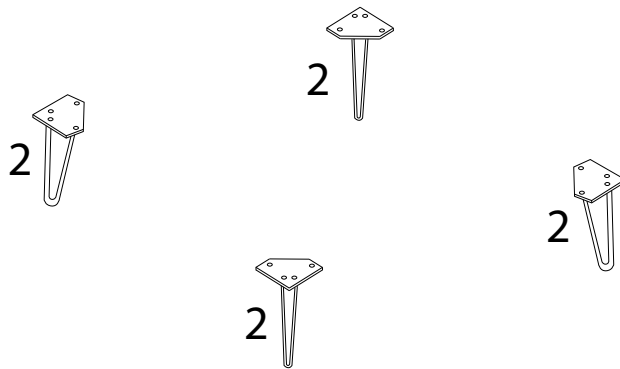
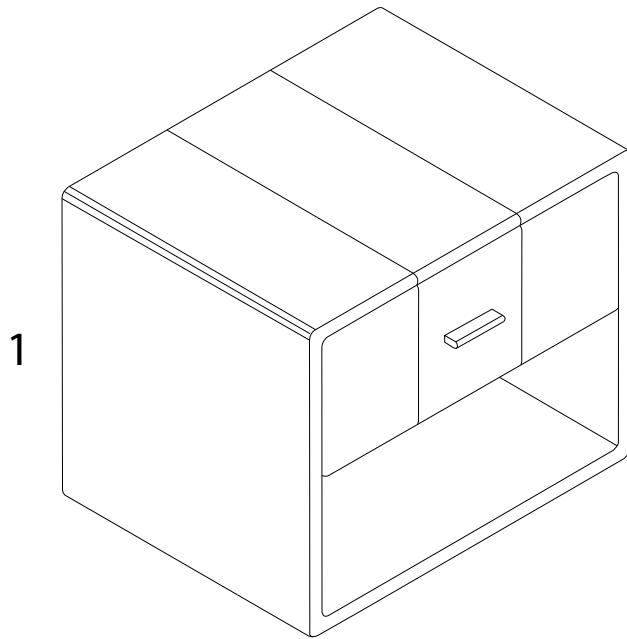
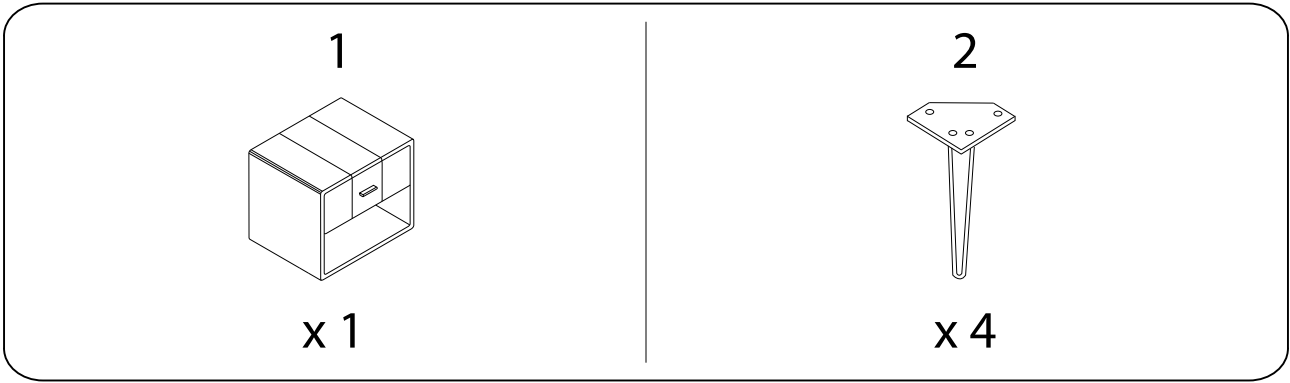
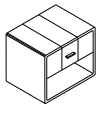


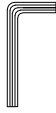


Assembly step 1: A circular icon shows an L-shaped metal bracket. Next to it is a power drill with a slash through it, indicating that a drill should not be used. To the right is a warning triangle with an exclamation mark. Further right is a clock icon with the text "15'" below it, indicating a 15-minute assembly time.

Assembly step 2: A circular icon shows a rectangular block being placed on a textured surface. Next to it is a diagram of the block with a slash through it, indicating that the block should not be placed on a soft surface. To the right is a warning triangle with an exclamation mark. Further right is a person icon with the text "1" below it, indicating that one person is required for this step.



1

<p>1</p>  <p>x 1</p>	<p>2</p>  <p>x 4</p>	<p>A</p>  <p>M8 x 20</p> <p>x 16</p>	<p>B</p>  <p>x 16</p>	<p>C</p>  <p>x 1</p>
---	---	---	--	---

