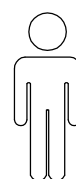
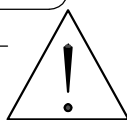
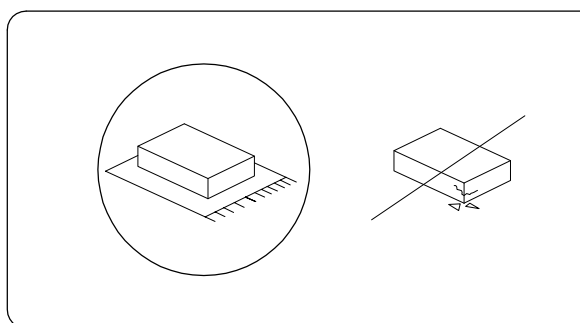
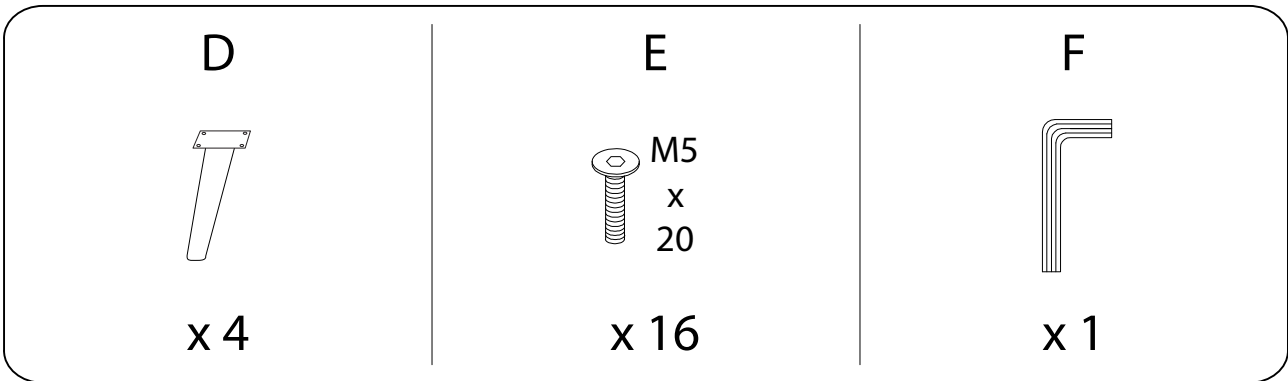
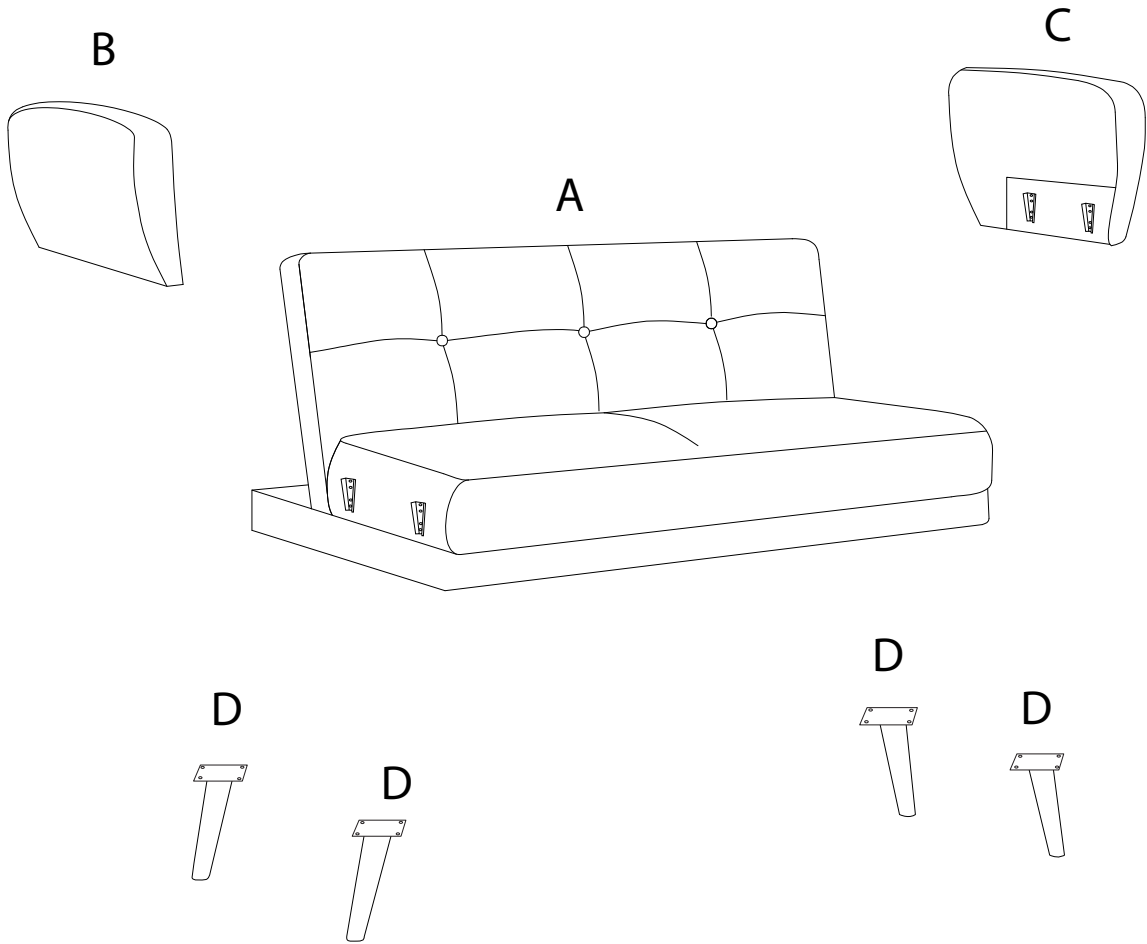
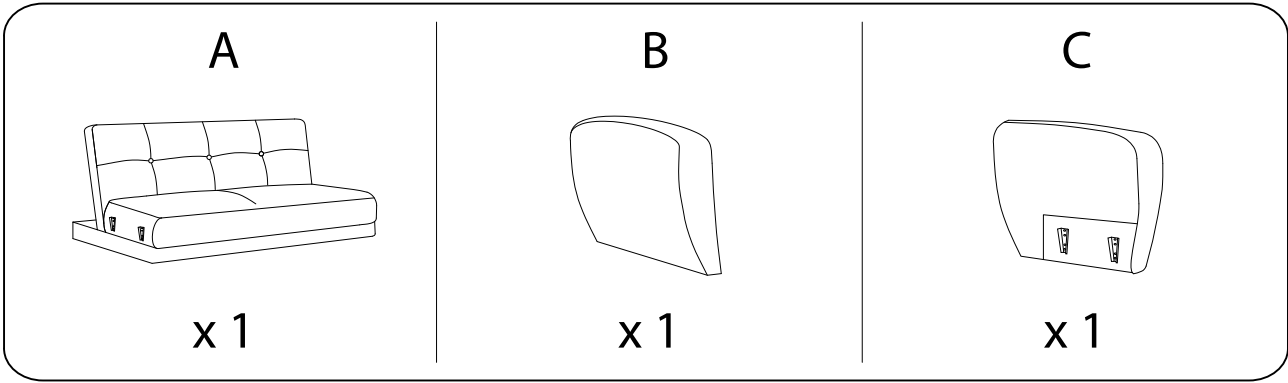


30'

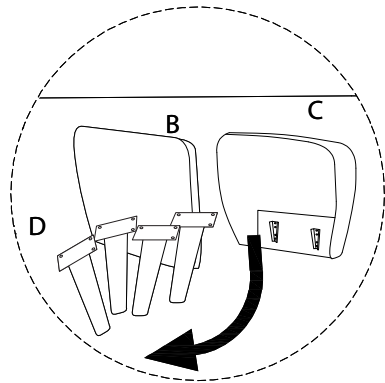
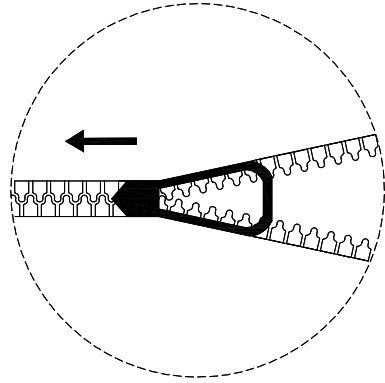
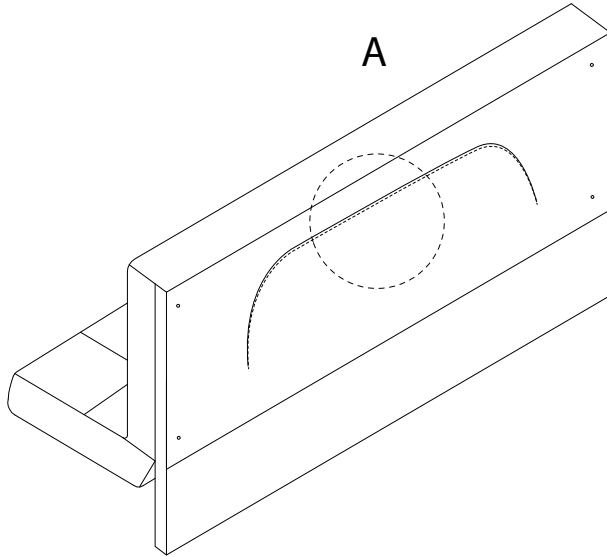


1



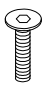
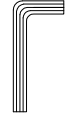
1/5

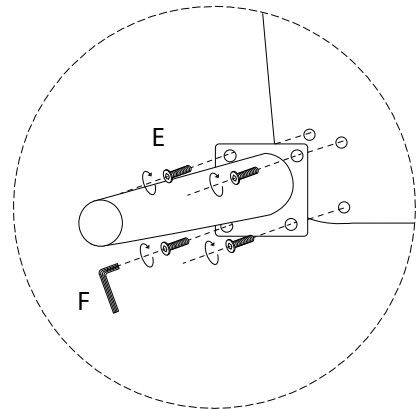
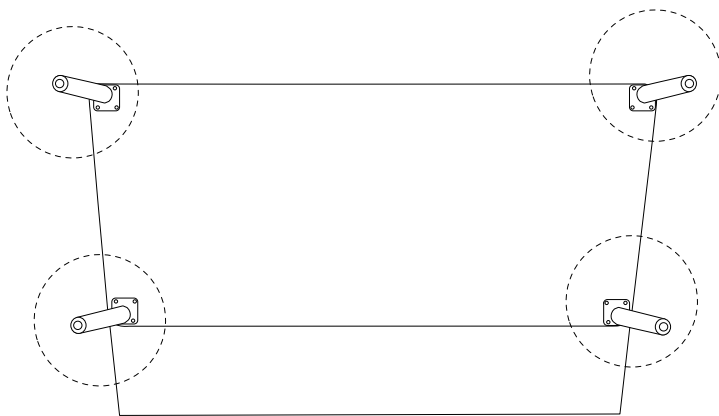


!



1

<p>A</p>  <p>x 1</p>	<p>D</p>  <p>x 4</p>	<p>E</p>  <p>M5 x 20 x 16</p>	<p>F</p>  <p>x 1</p>
---	---	---	---



2

B



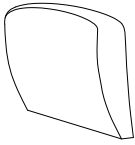
x 1

C

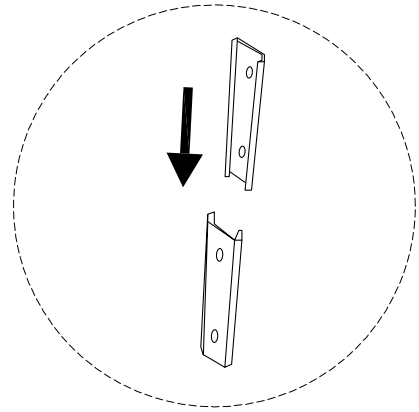
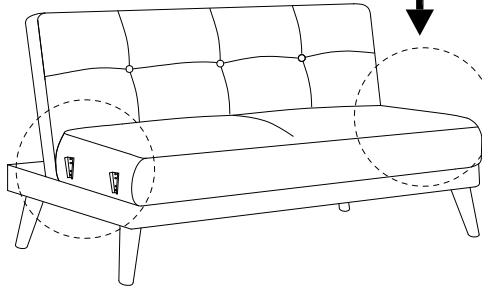


x 1

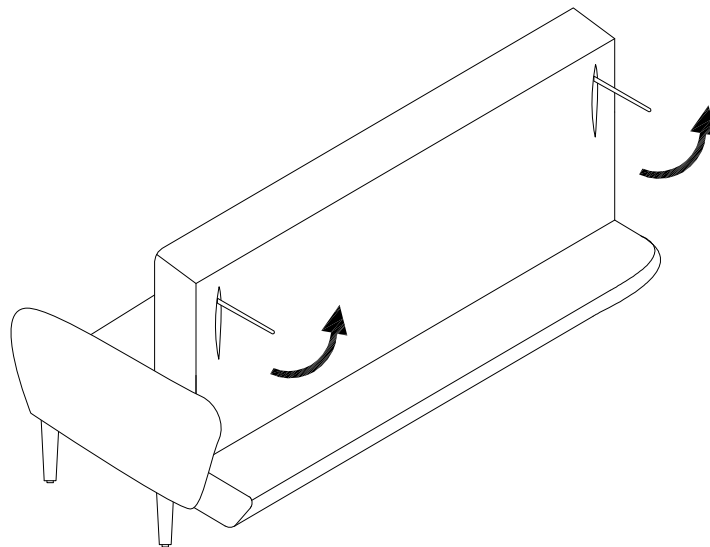
B



C



!



!

