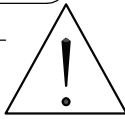
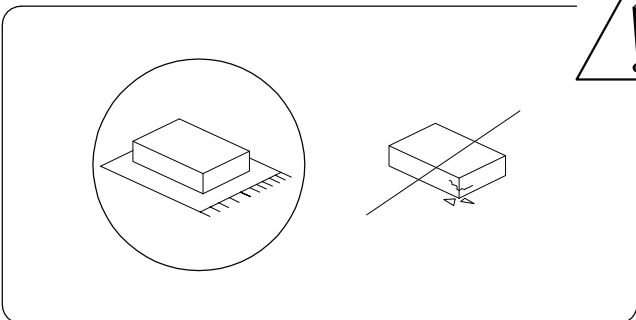
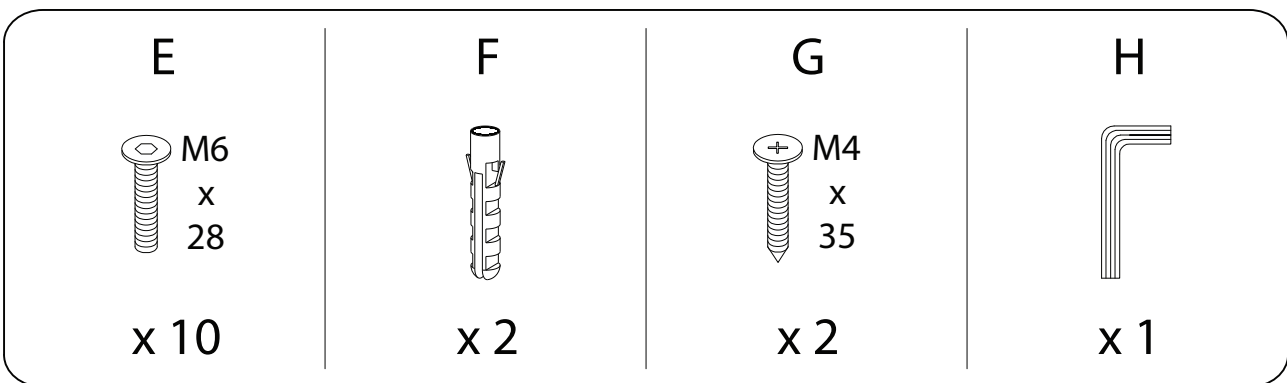
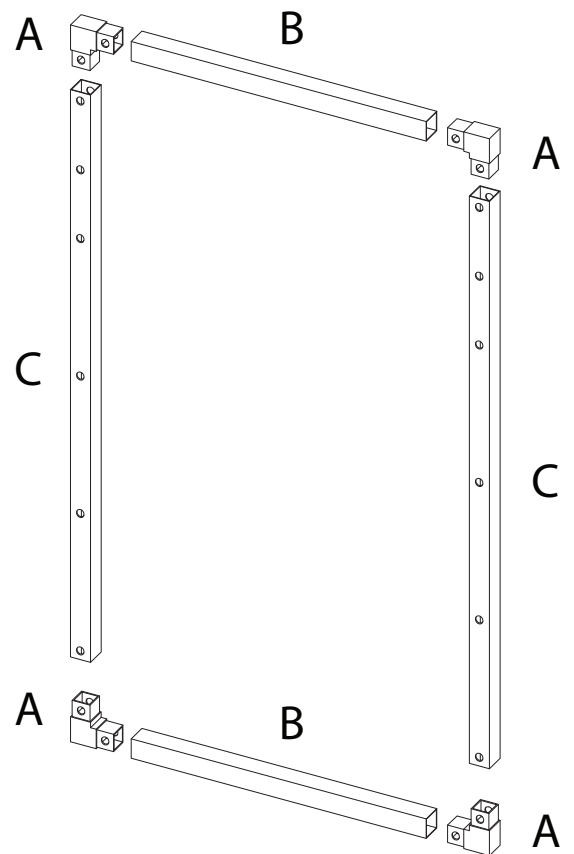
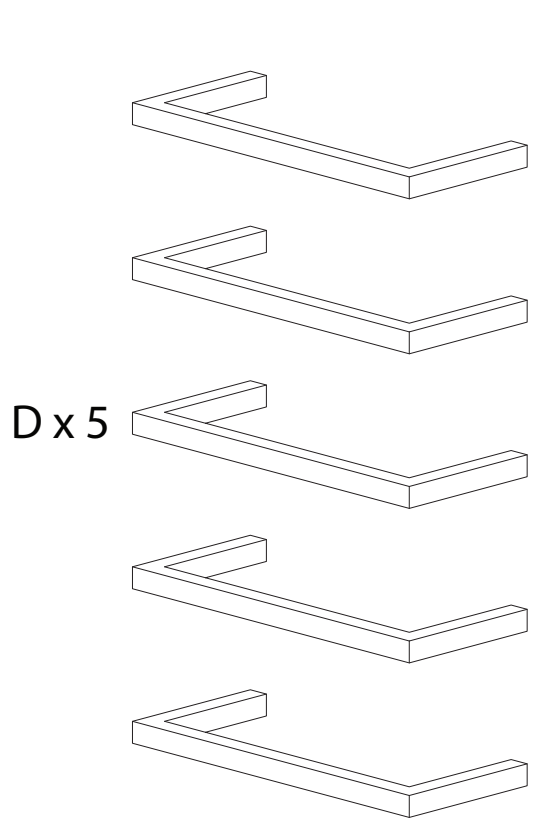
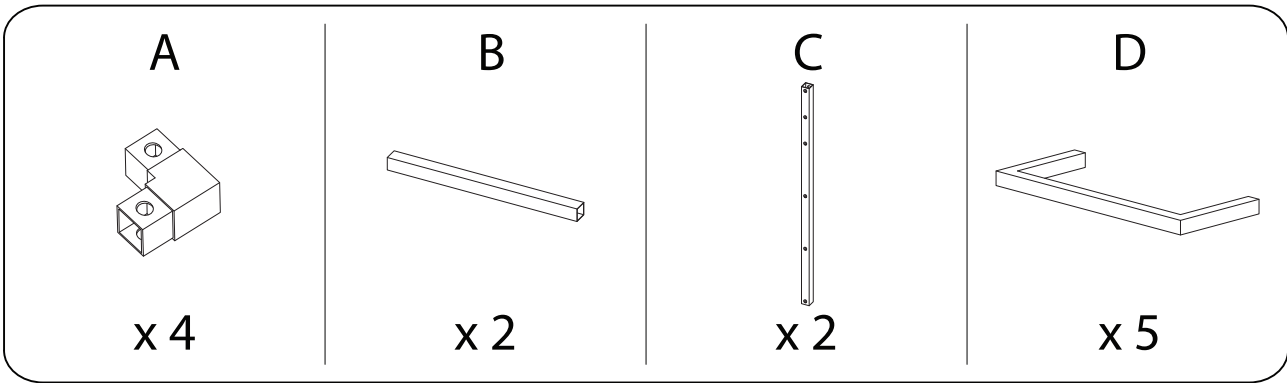


15'



1

1/4



1

A



x 4

B

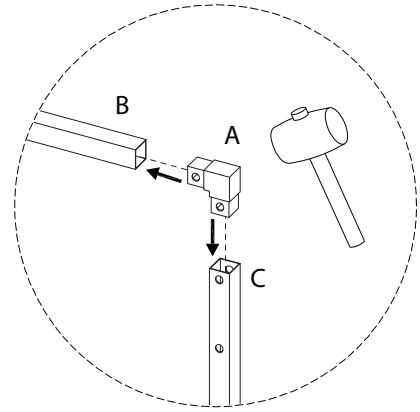
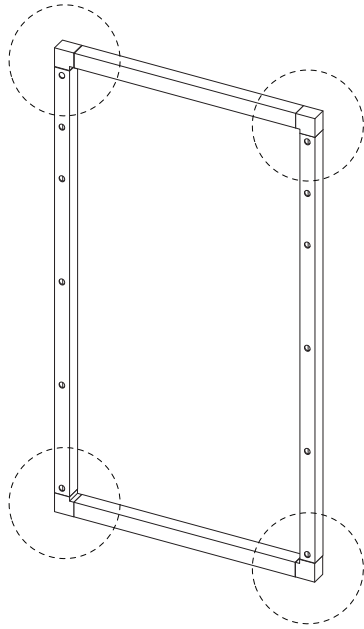


x 2

C

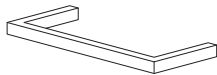


x 2



2

D



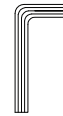
x 5

E

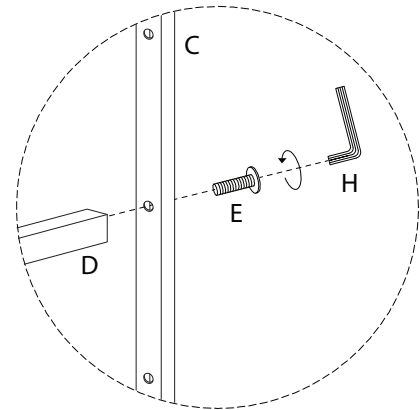
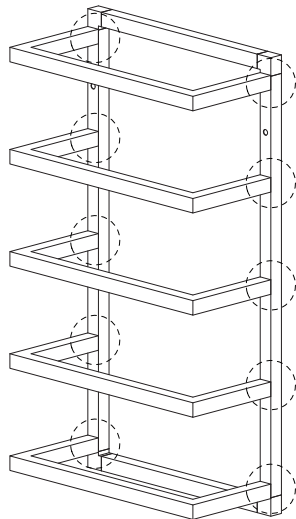


x 10

H



x 1



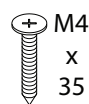
3

F



x 2

G



M4
x
35

x 2

