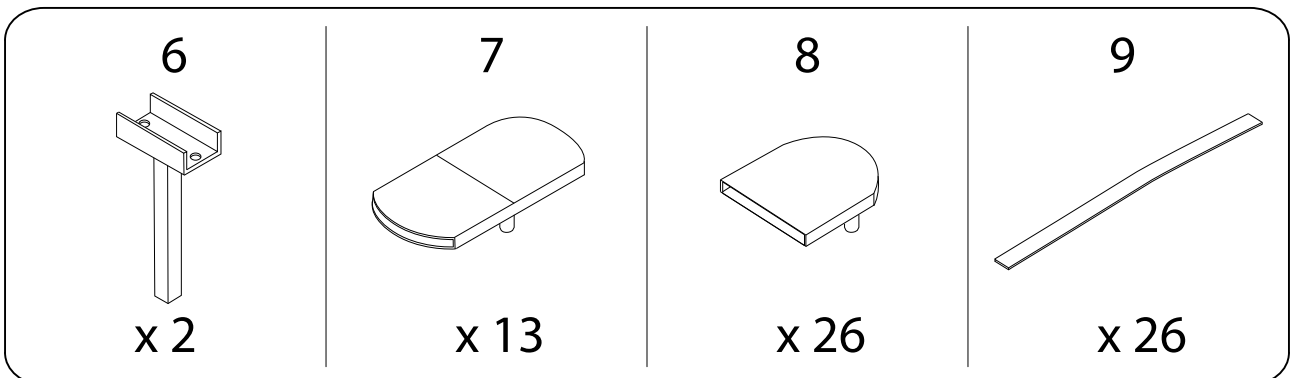
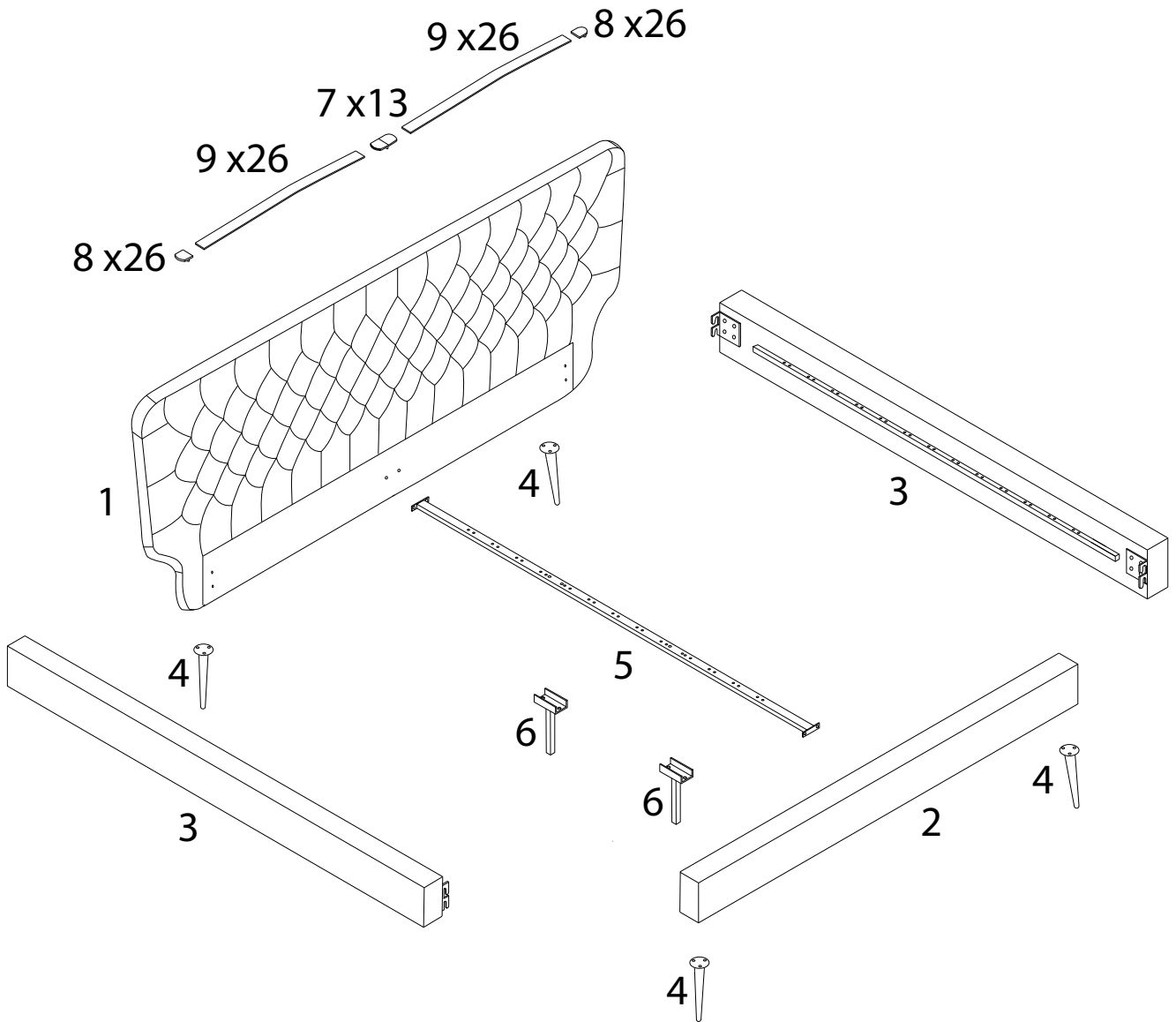
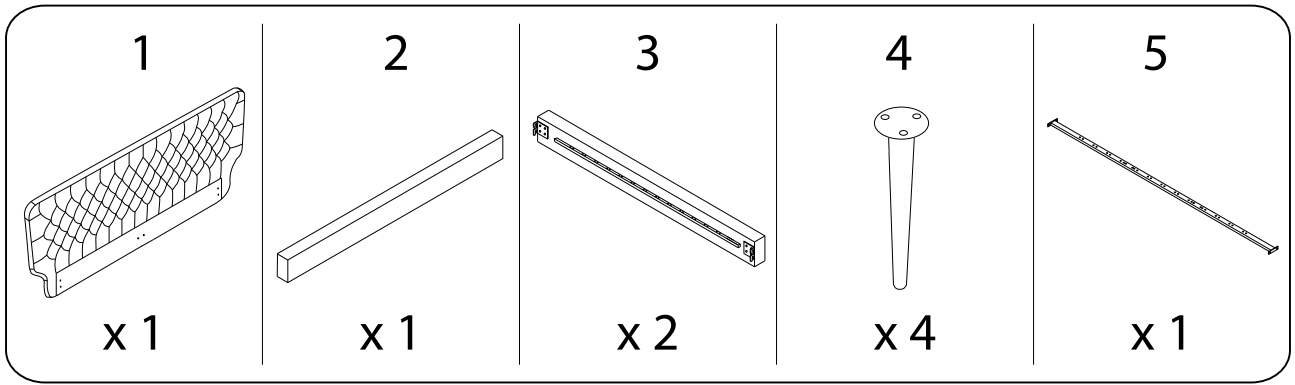
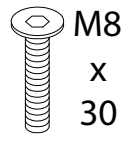

		2

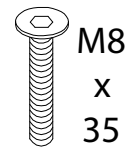


A



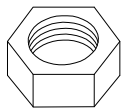
x 24

B



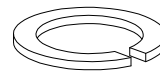
x 4

C



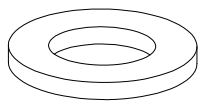
x 4

D



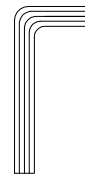
x 8

E



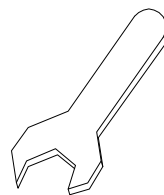
x 12

F



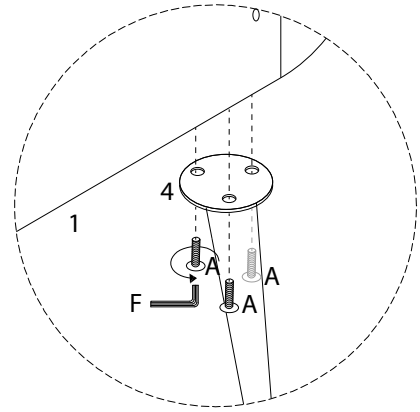
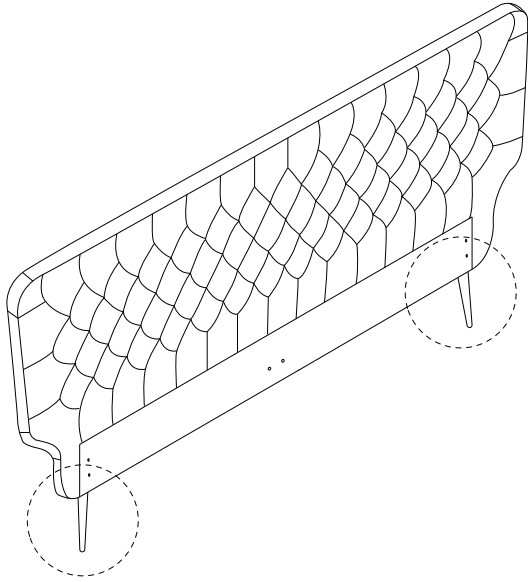
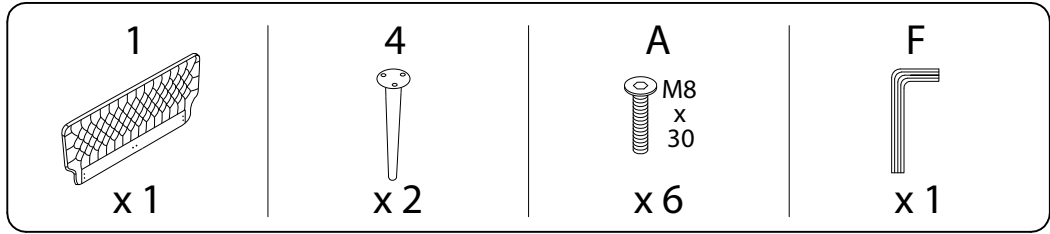
x 1

G

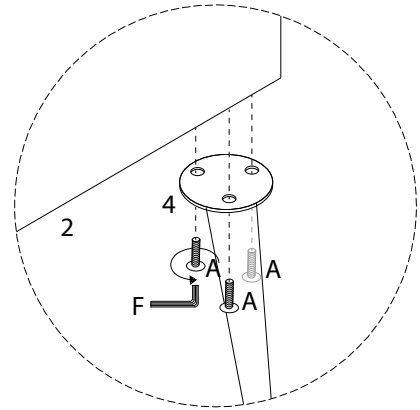
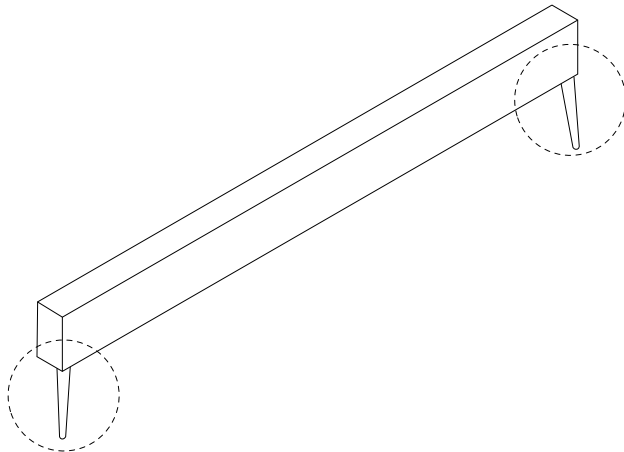
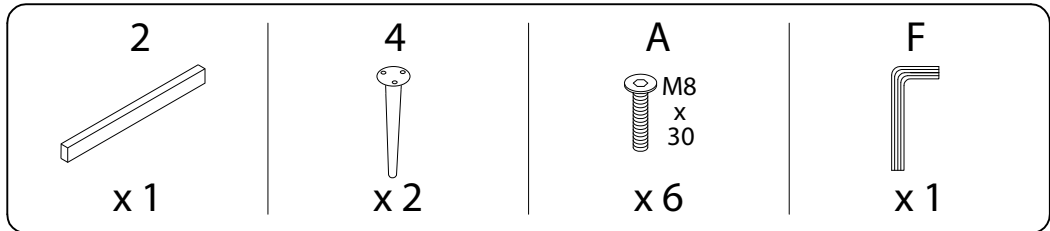


x 1

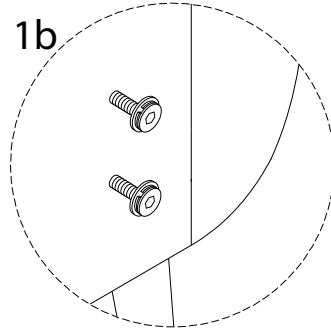
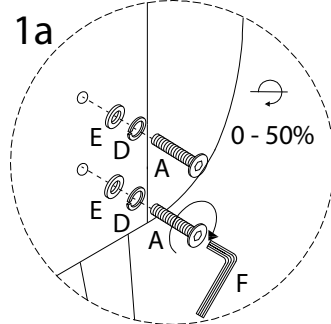
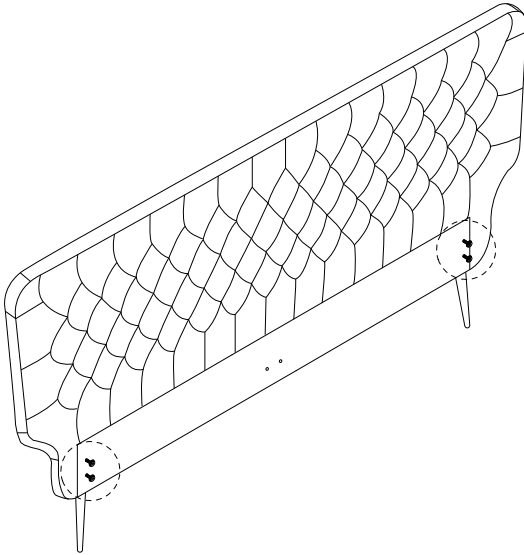
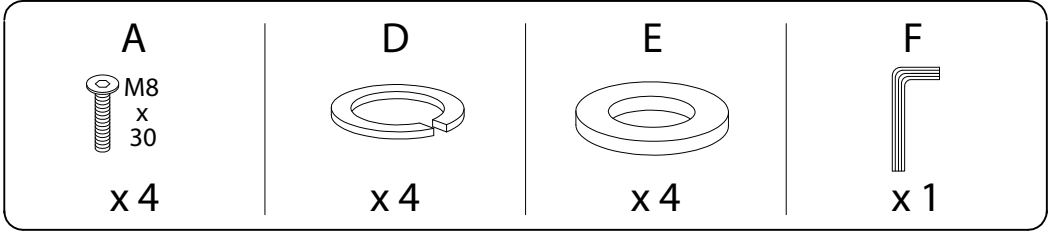
1



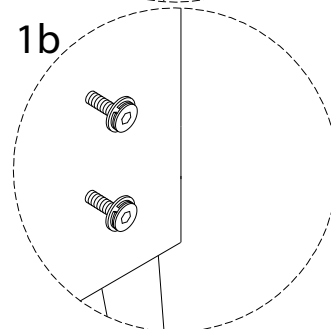
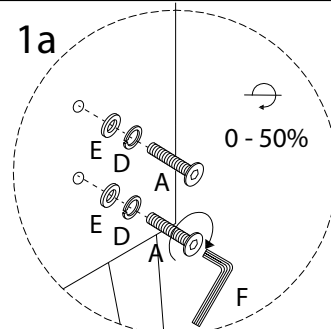
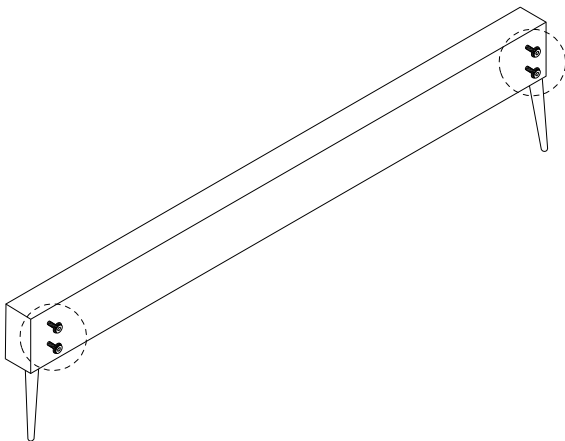
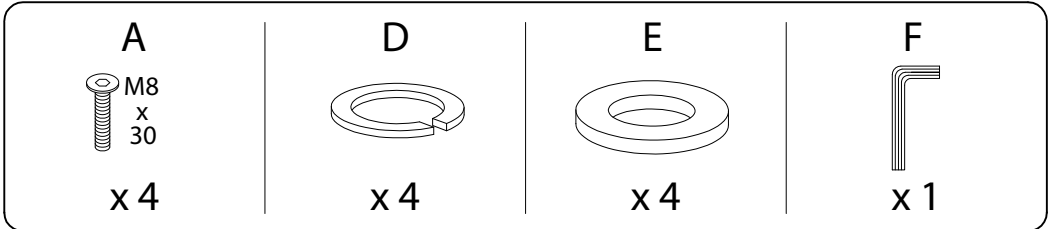
2



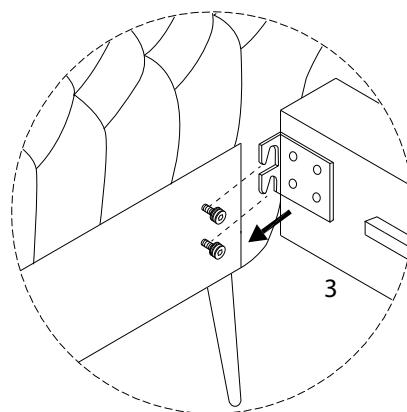
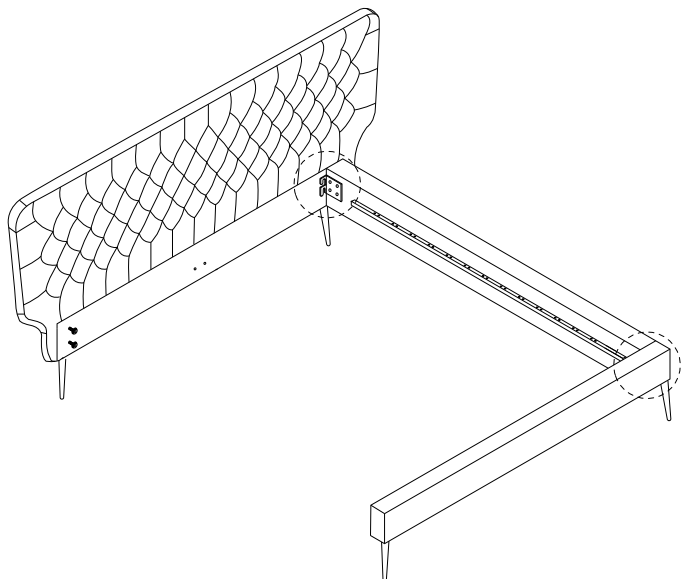
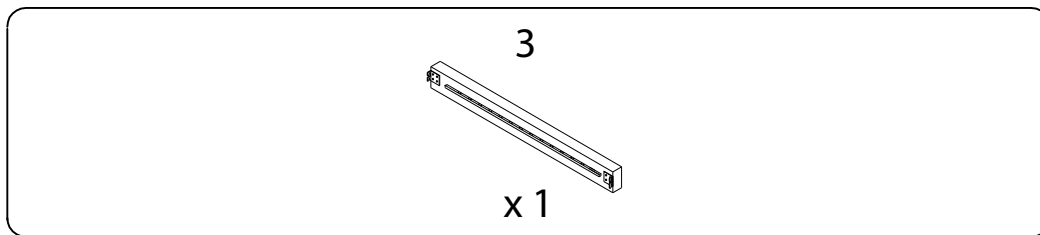
3



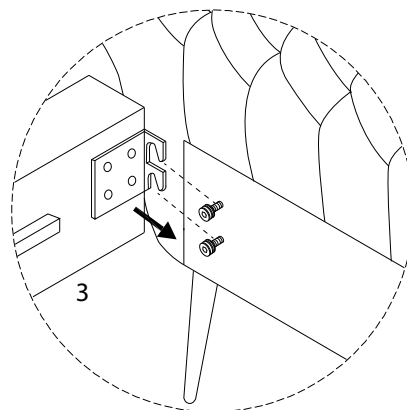
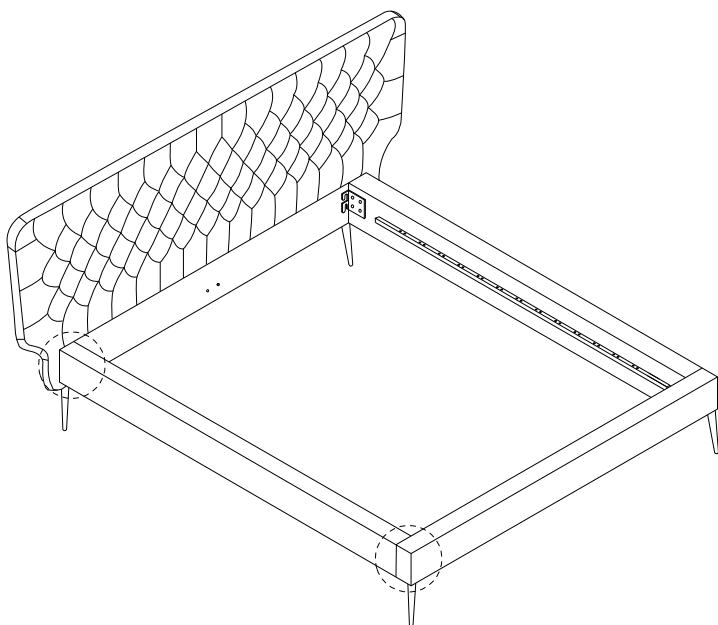
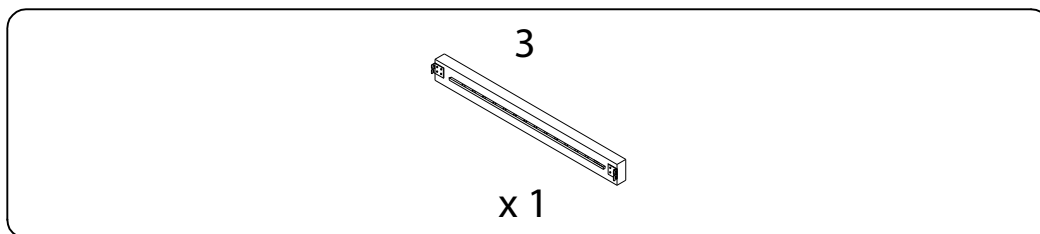
4




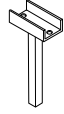
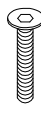
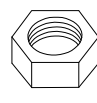
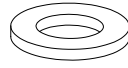
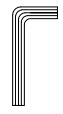

5

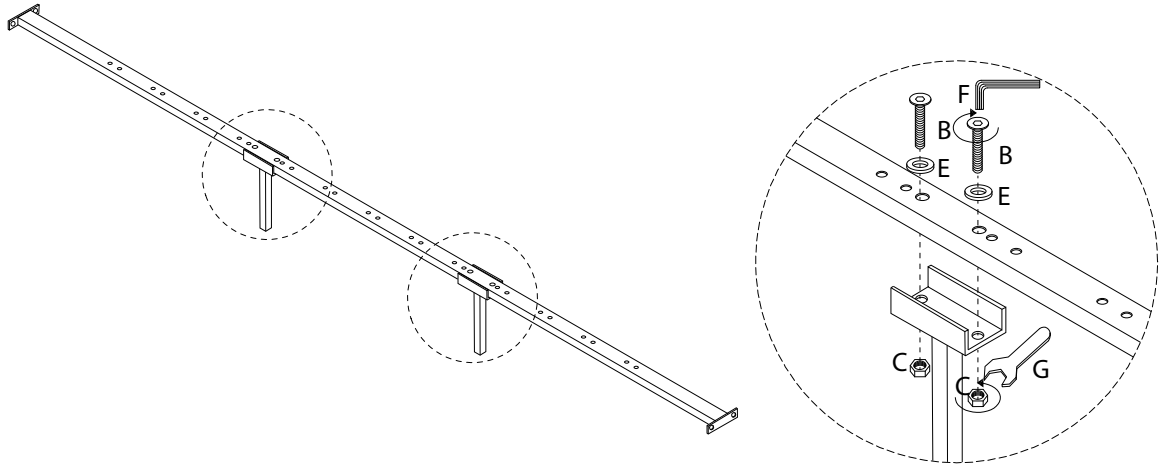


6


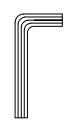


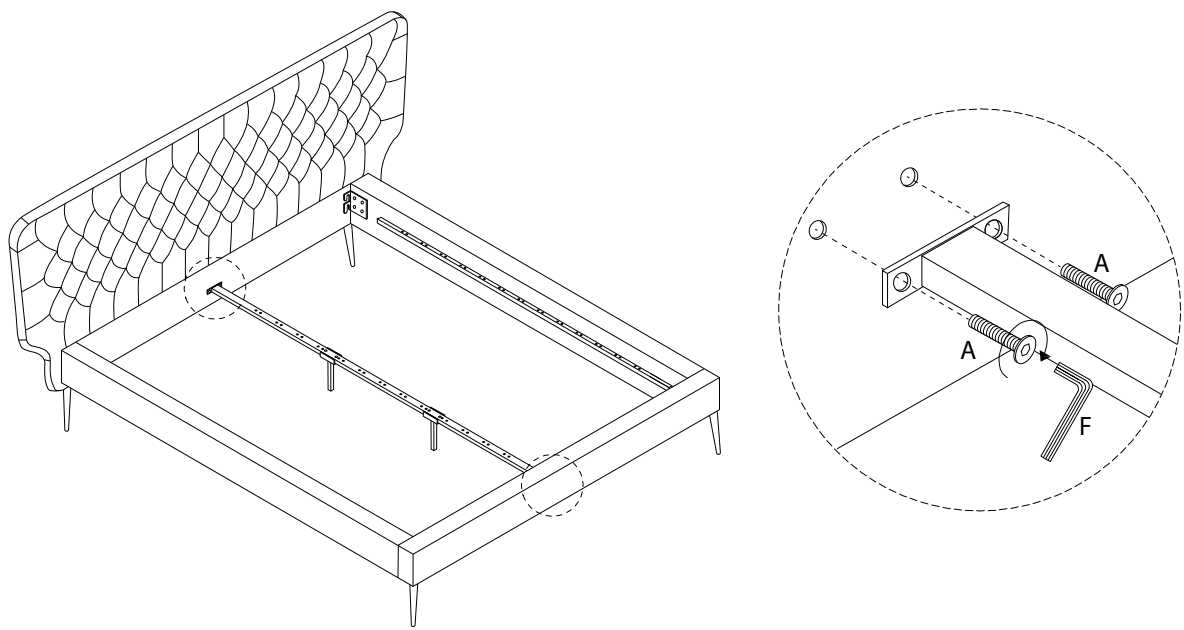
7

5  x1	6  x2	B M8 x 35  x4	C  x4	E  x4	F  x1	G  x1
---	---	--	---	--	---	---

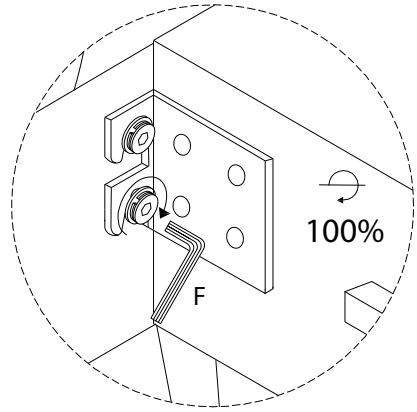
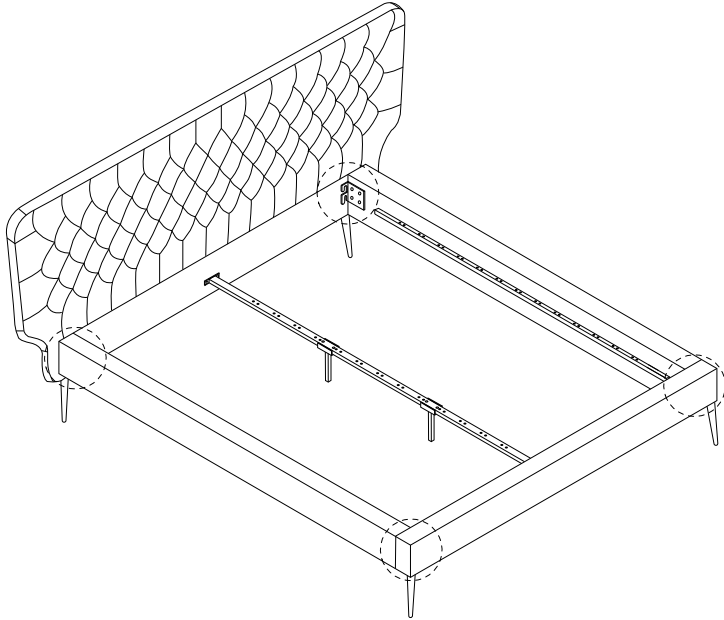
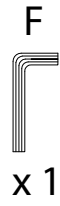


8

A M8 x 30  x4	F  x1
--	---

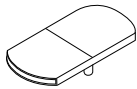


9



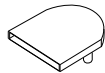
10 x13

7



x1

8

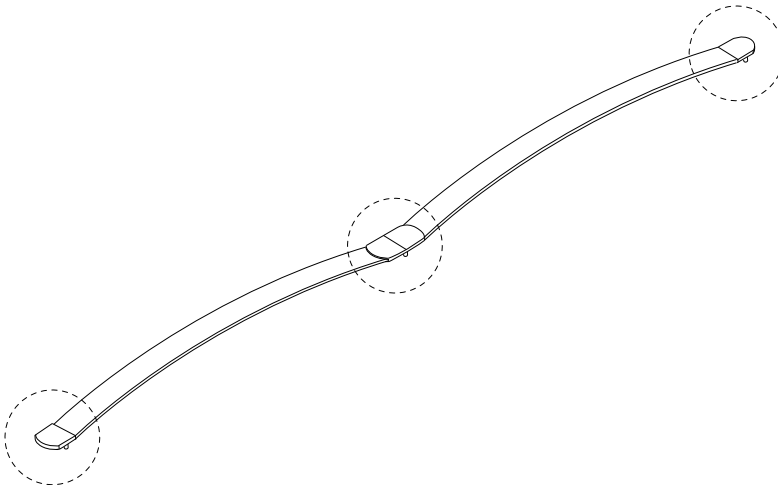


x2

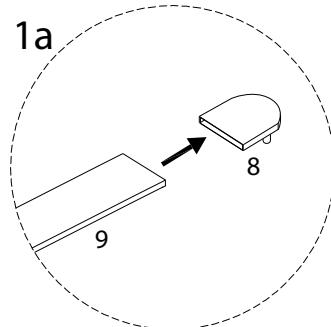
9



x2



1a



1b

