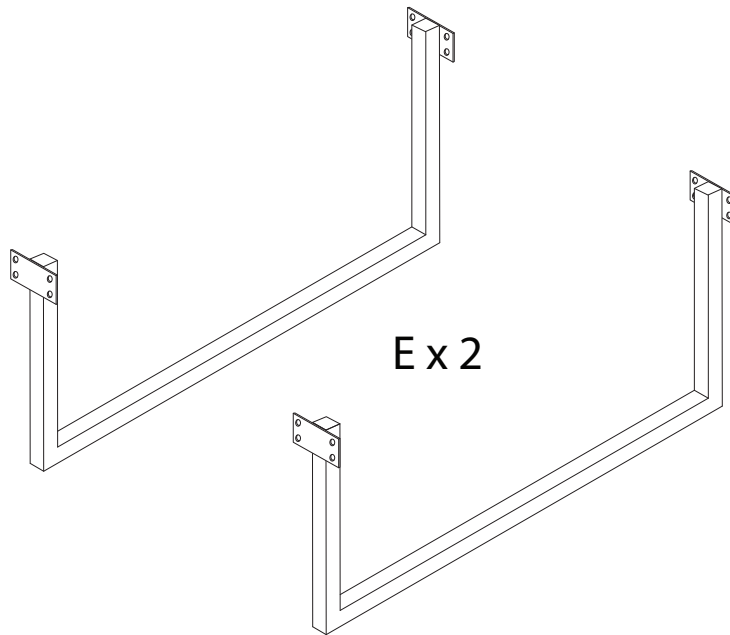
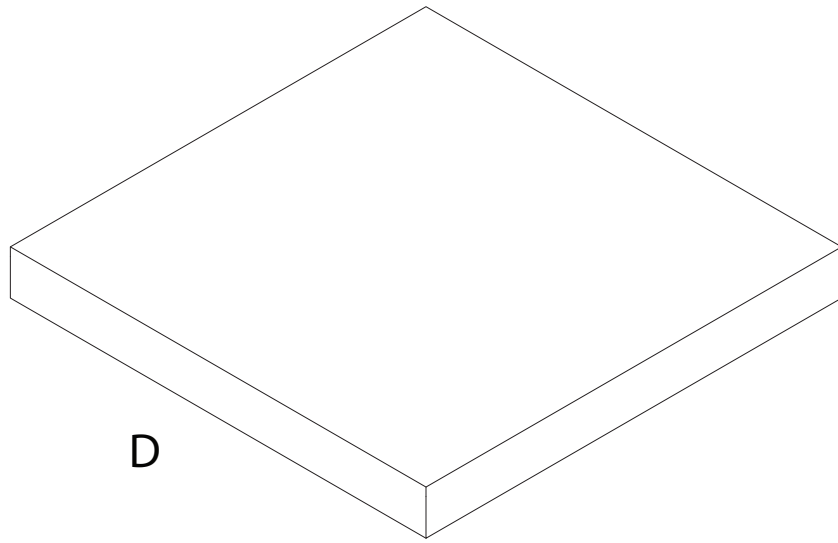


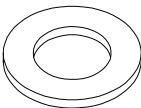
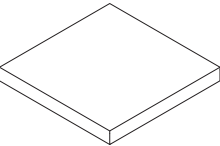
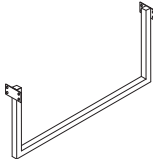


Diagram illustrating assembly instructions and safety warnings:

- Warning 1:** A warning triangle with an exclamation mark is shown next to a circular inset containing an L-shaped bracket and a crossed-out power drill icon, indicating that a power drill should not be used for this step.
- Warning 2:** A second warning triangle with an exclamation mark is shown next to a circular inset containing a rectangular block being placed on a surface and a crossed-out icon of a block being lifted, indicating a lifting or placement warning.
- Time:** A clock icon is shown with the text "15'" below it, indicating a 15-minute assembly time.
- Person:** A stick figure icon is shown with the text "1" below it, indicating that one person is required for assembly.



A	B	C	D	E
				
x 1	M6 x 16	x 16	x 1	x 2

1

