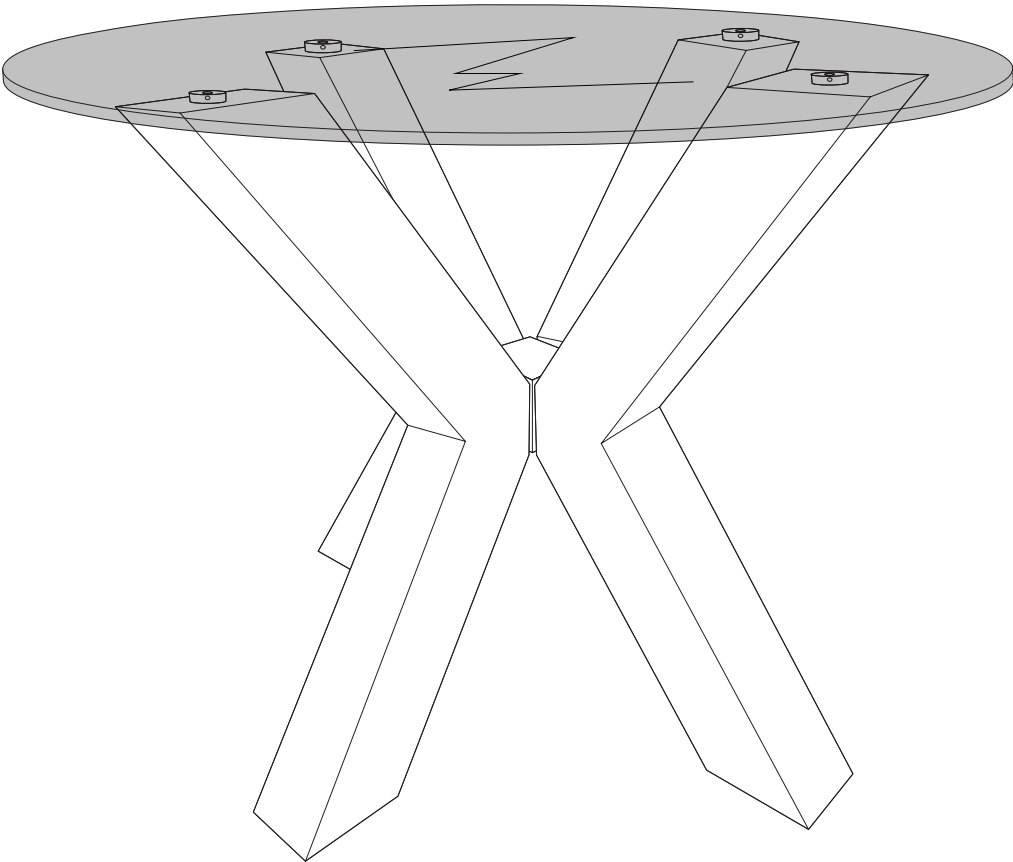
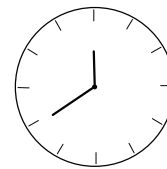
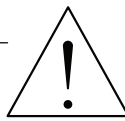
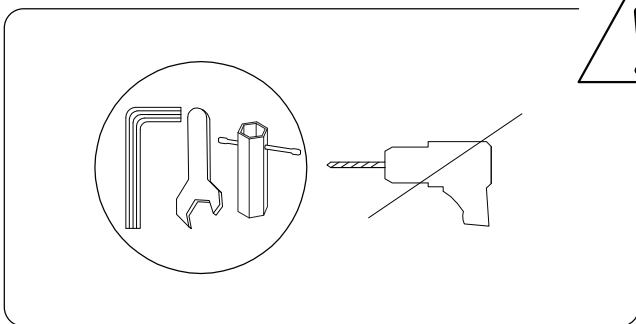
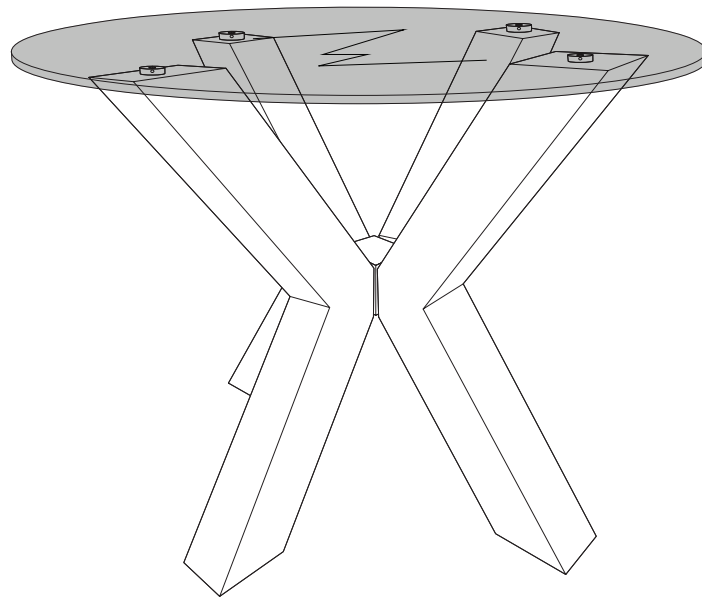
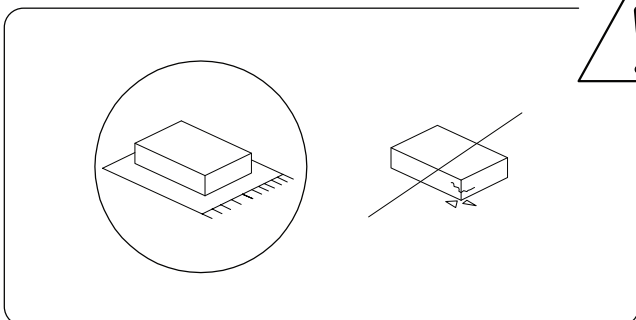


OTIUM

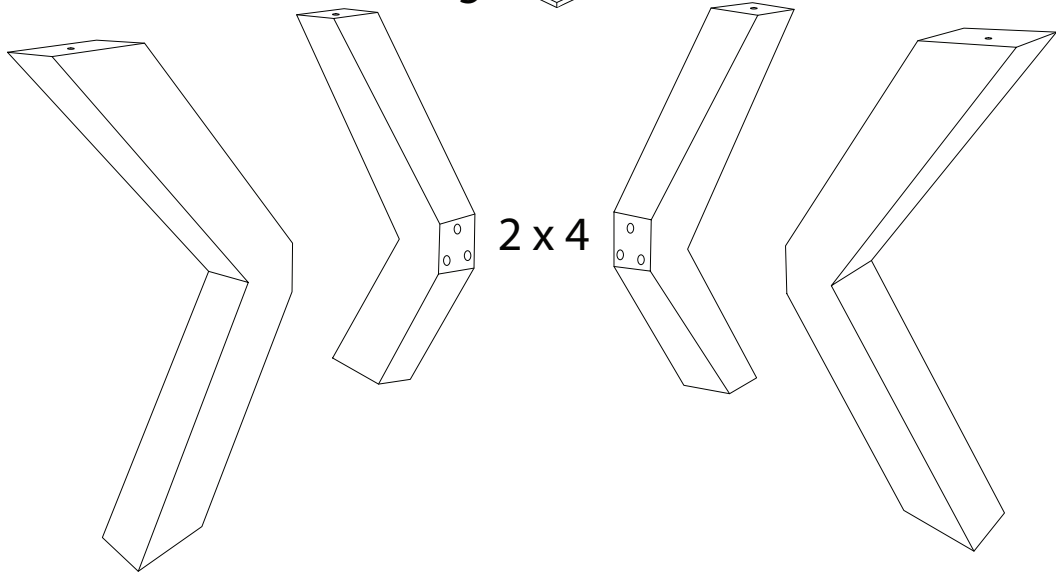
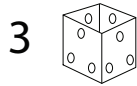
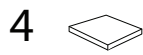




40'

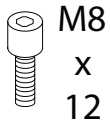


2



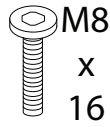
1	2	3	4	5
x 1	x 4	x 1	x 1	x 1

A



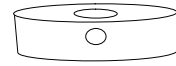
x 12

B



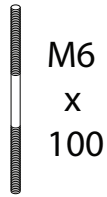
x 4

C



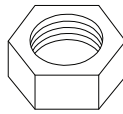
x 4

D



x 1

E



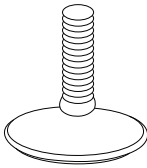
x 1

F



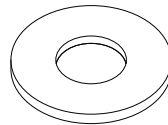
x 8

G



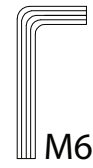
x 4

H



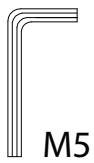
x 13

I



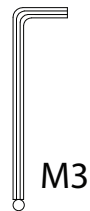
x 1

J



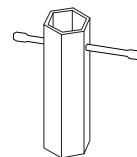
x 1

K



x 1

L



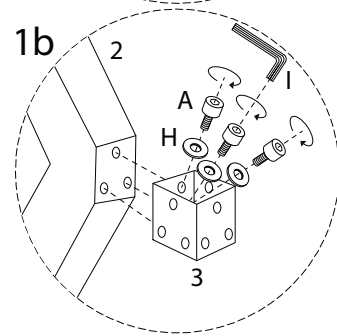
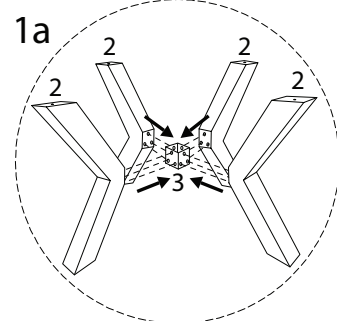
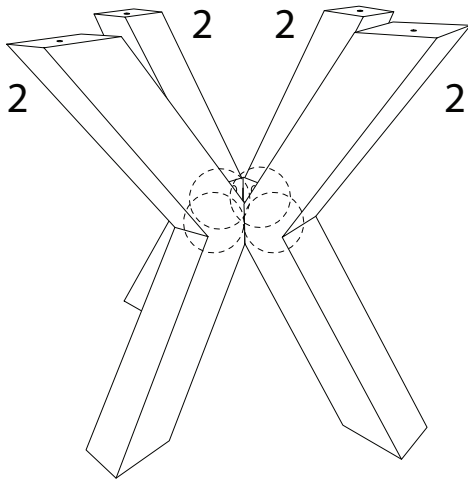
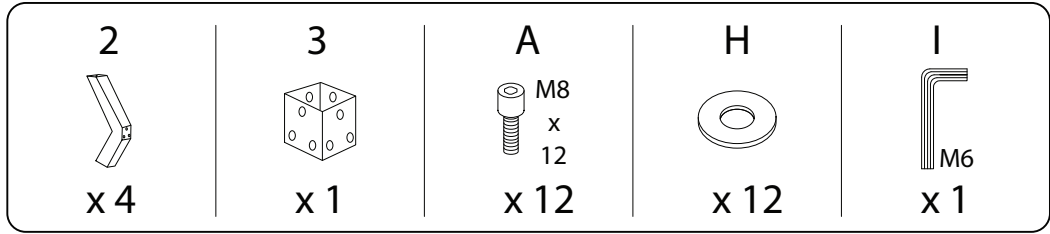
x 1

M

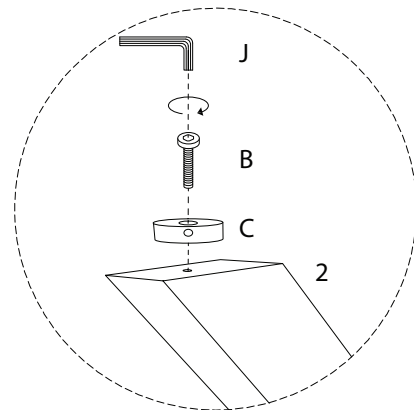
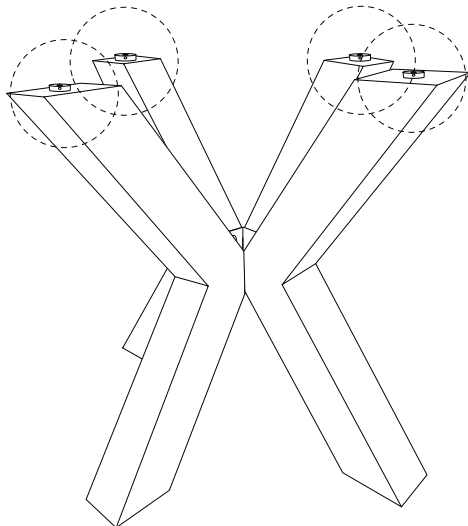
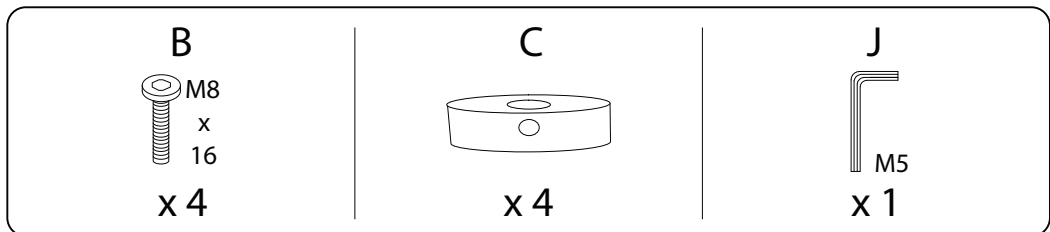


x 1

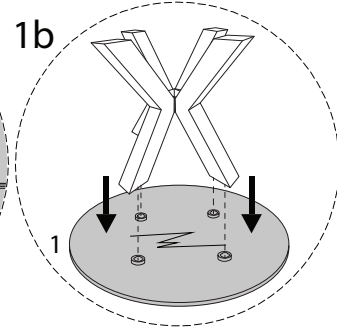
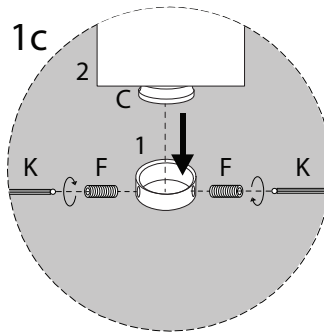
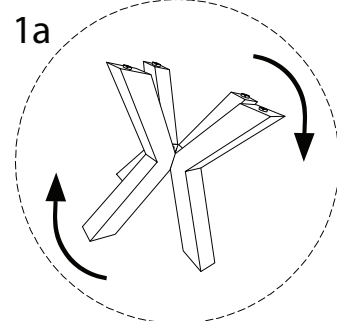
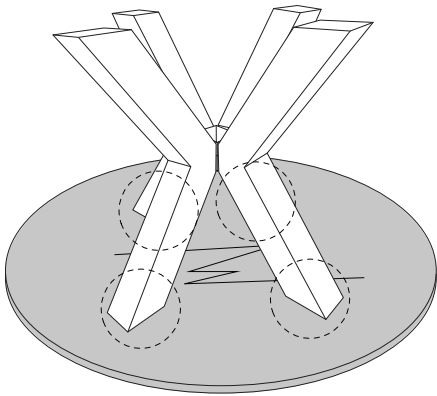
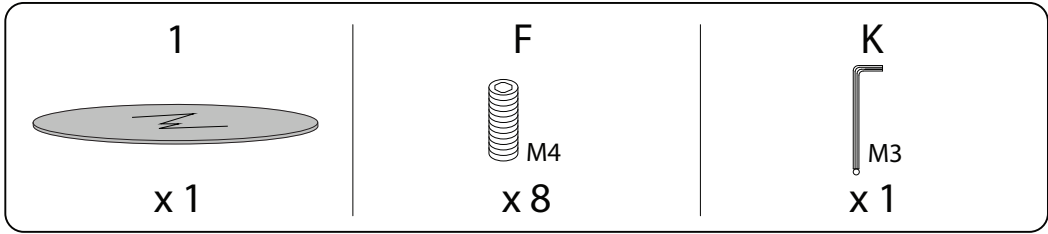
1



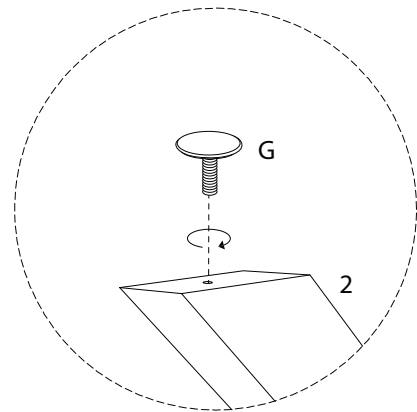
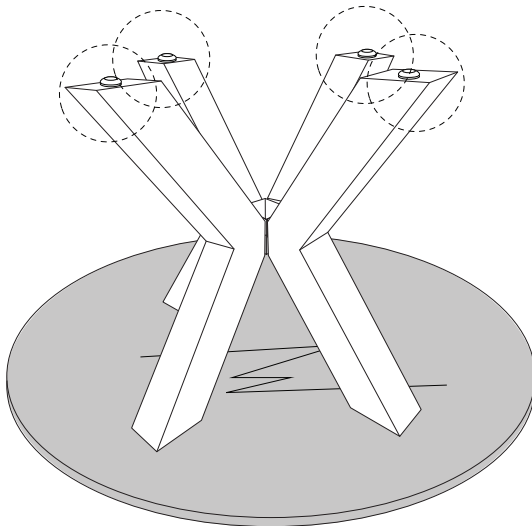
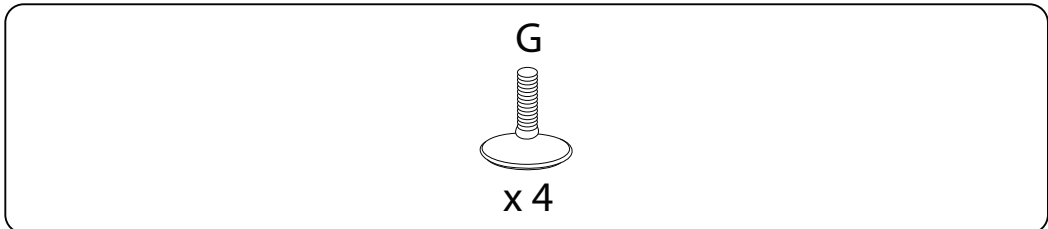
2



3

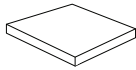


4



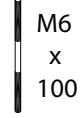
5

4

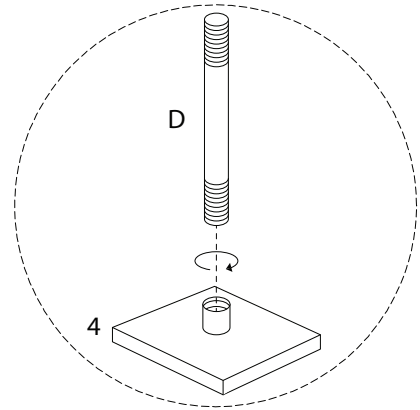
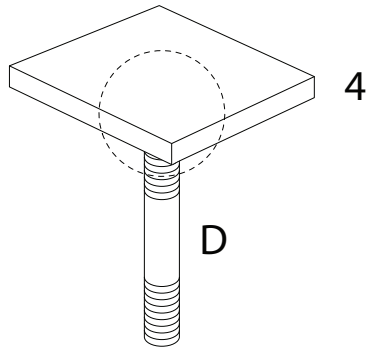


x 1

D

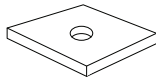


x 1



6

5



x 1

E



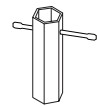
x 1

H

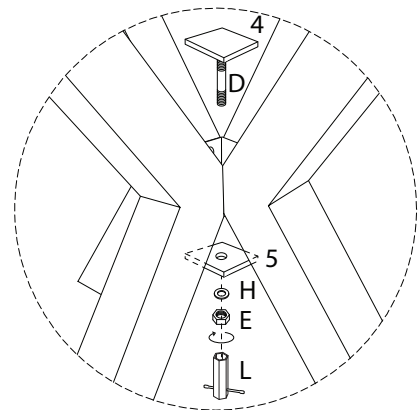
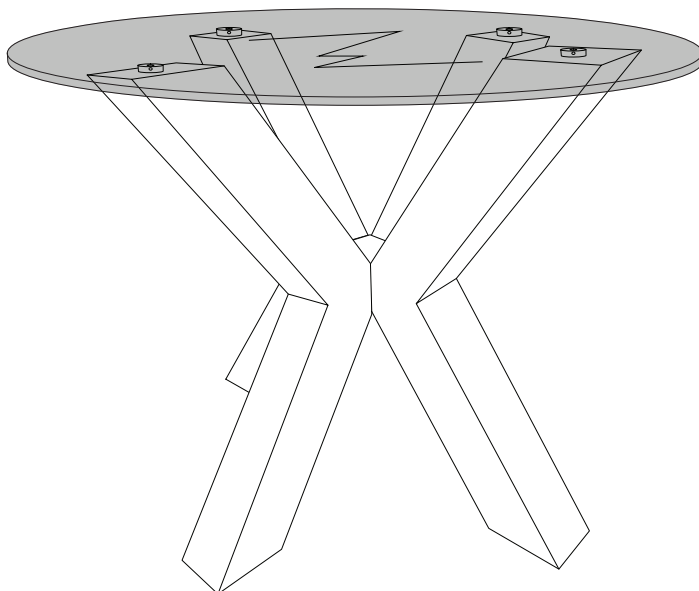


x 1

L



x 1



!

