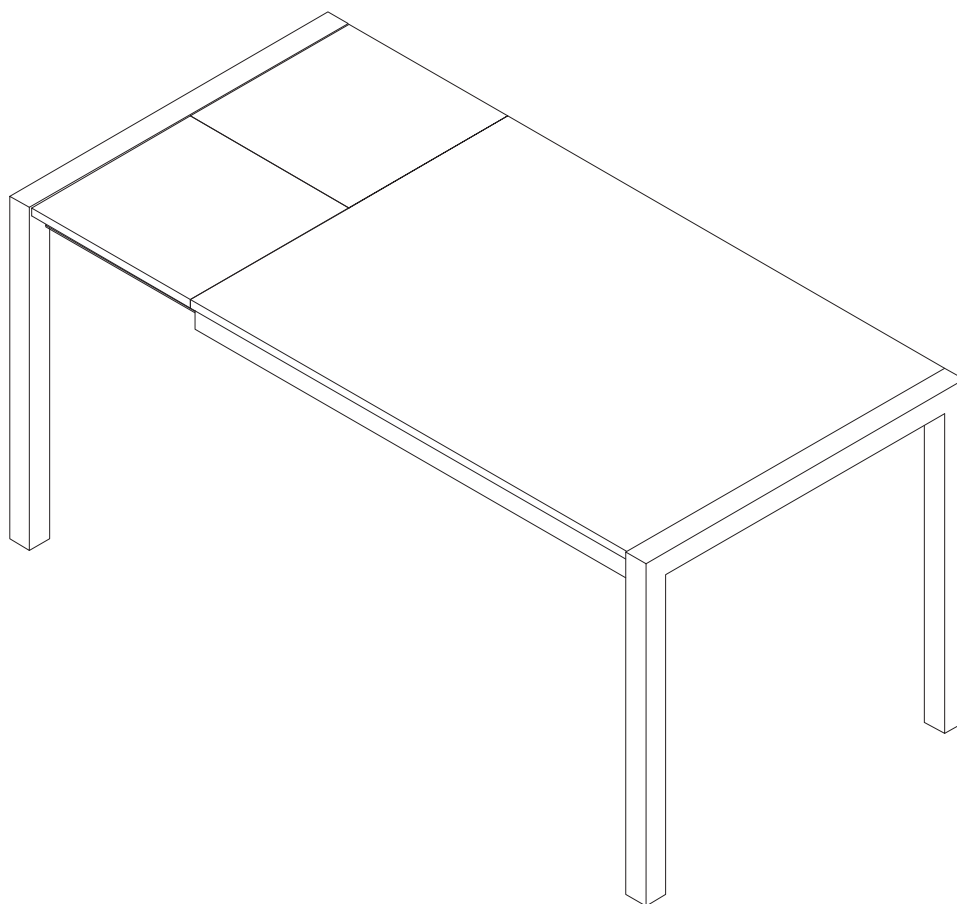
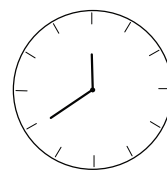
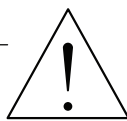
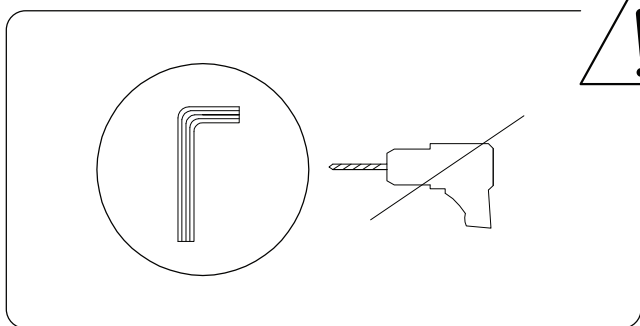
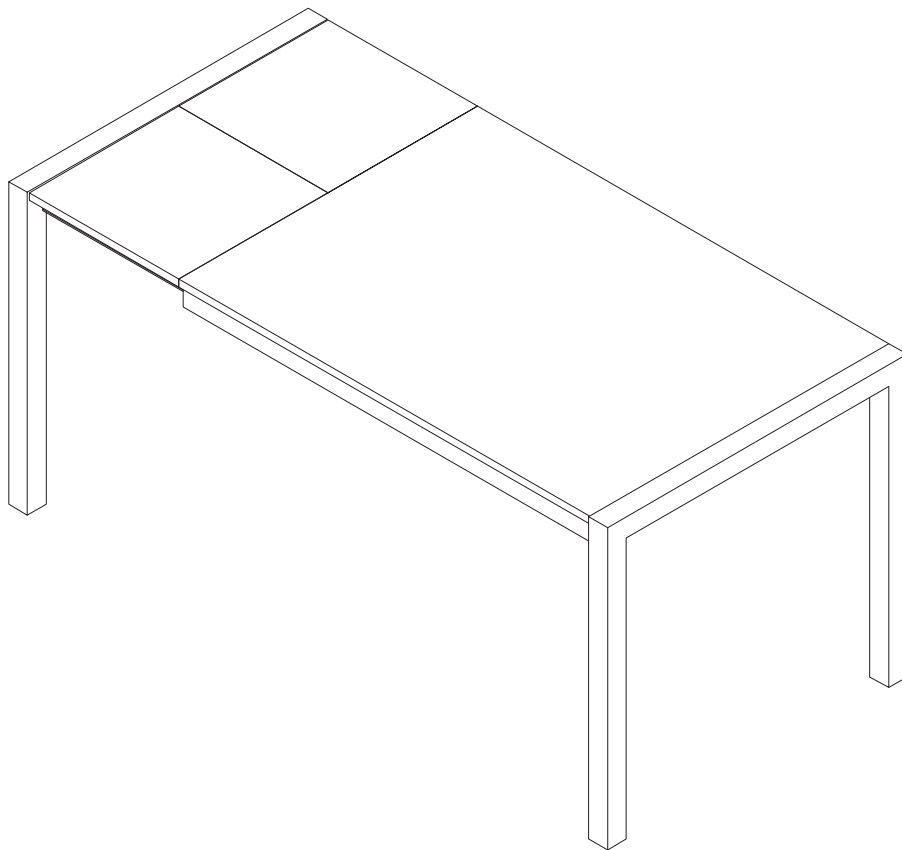
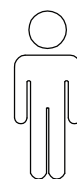
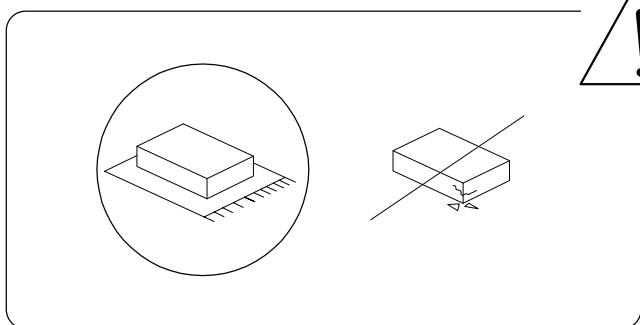


# GRANADA EXT



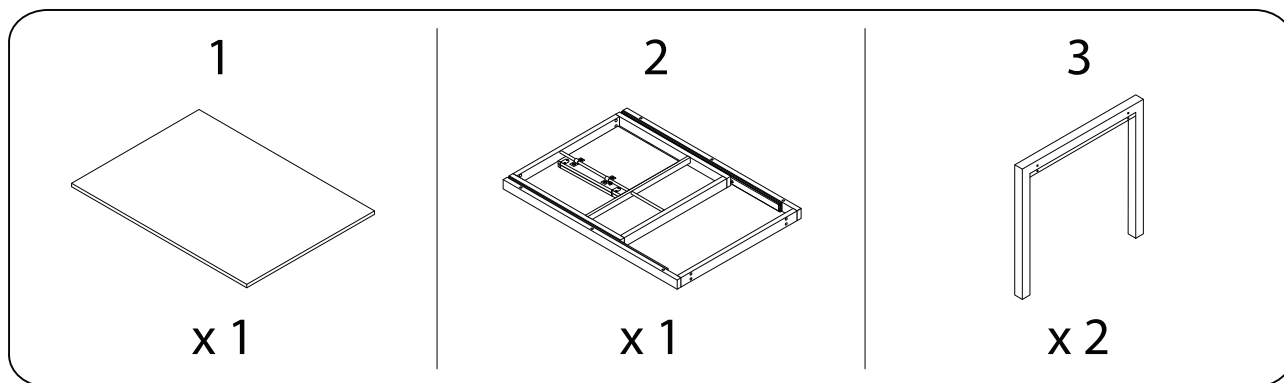
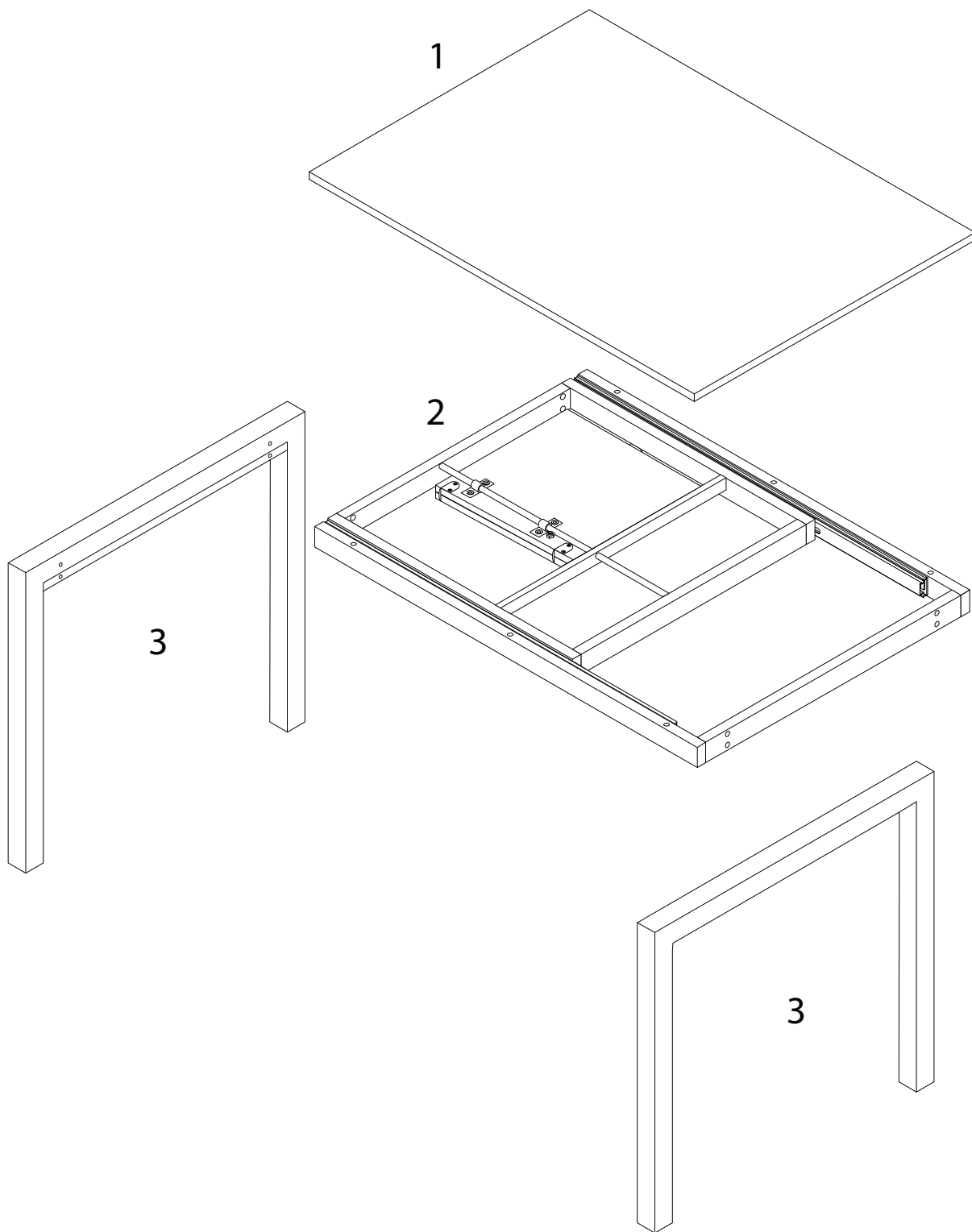


40'

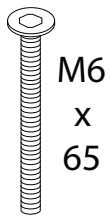


2

1/5

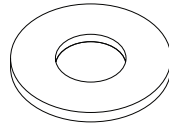


A



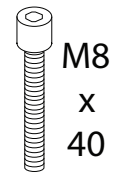
x 6

B



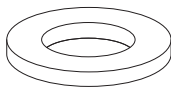
x 6

C



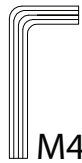
x 8

D



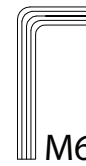
x 14

E



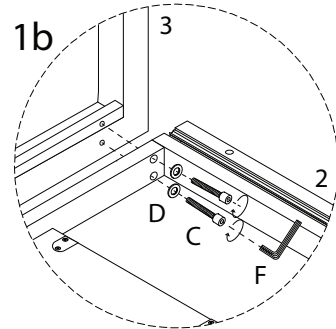
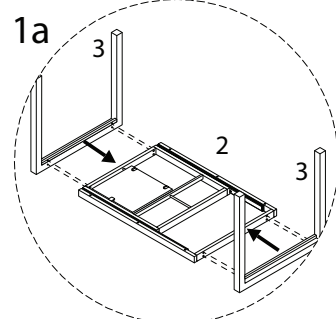
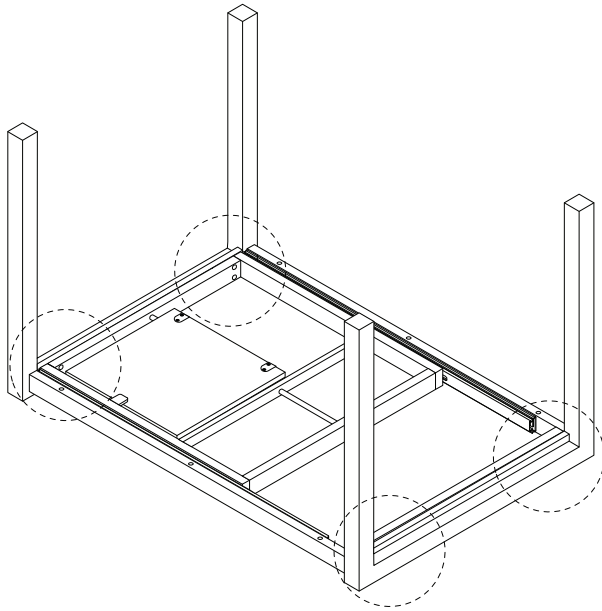
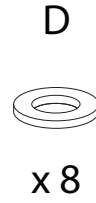
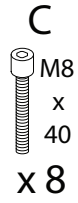
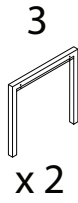
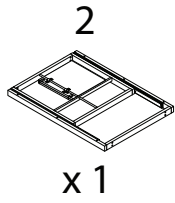
x 1

F

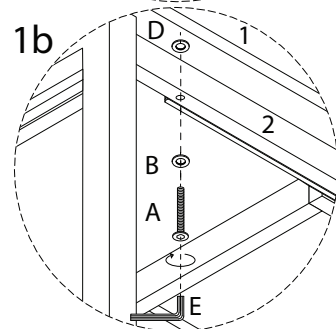
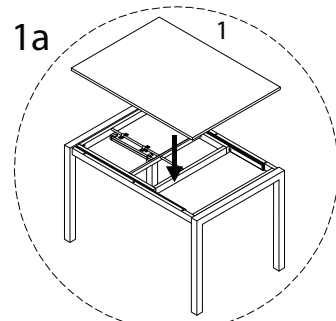
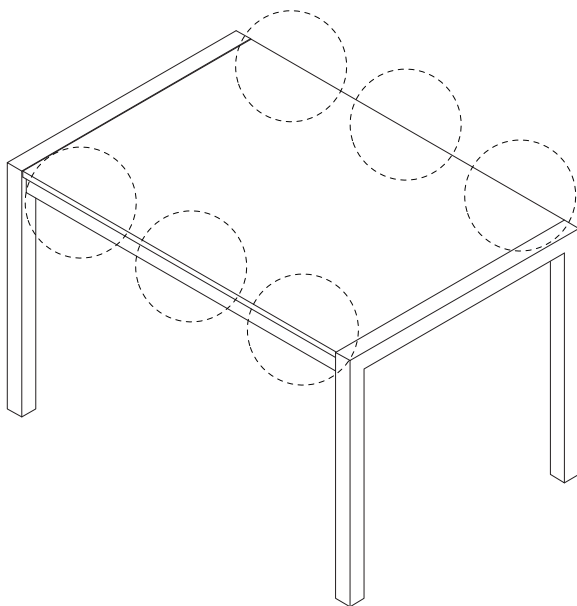
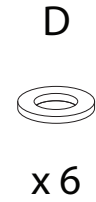
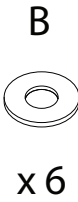
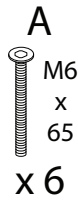
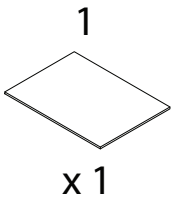


x 1

1



2



3

