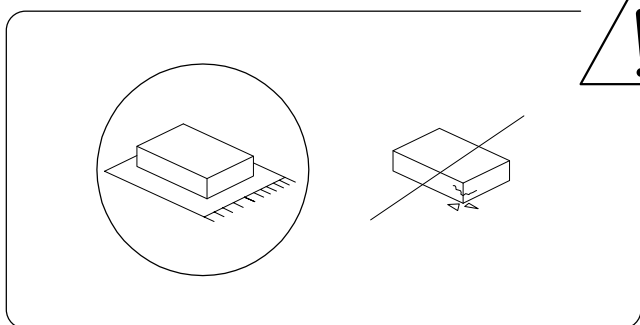


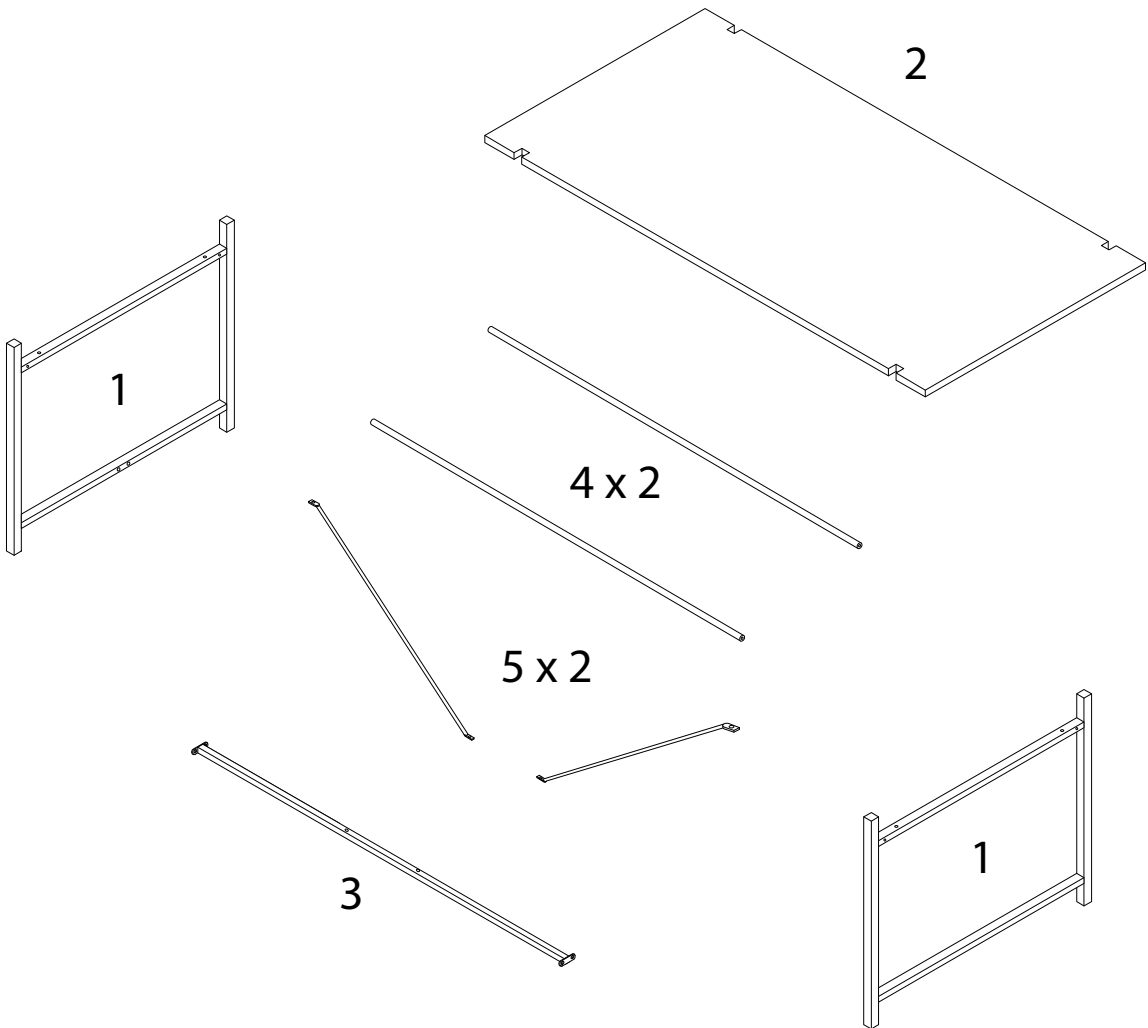
40'



2

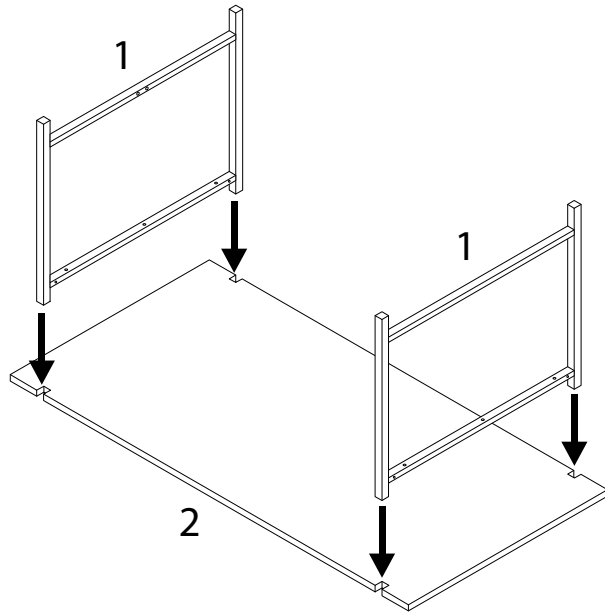
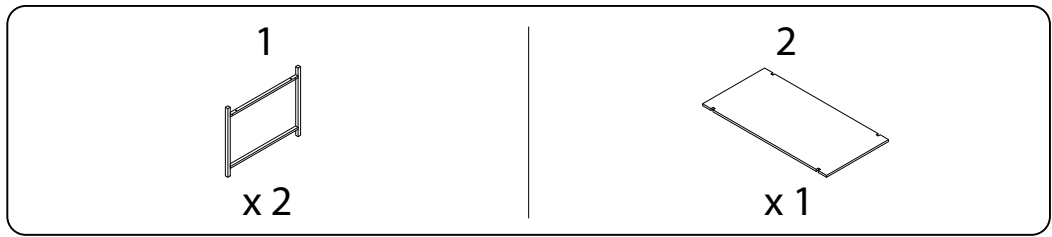
1/5

1	2	3	4	5
x 2	x 1	x 1	x 2	x 2

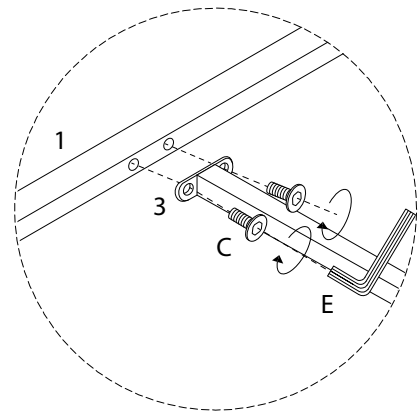
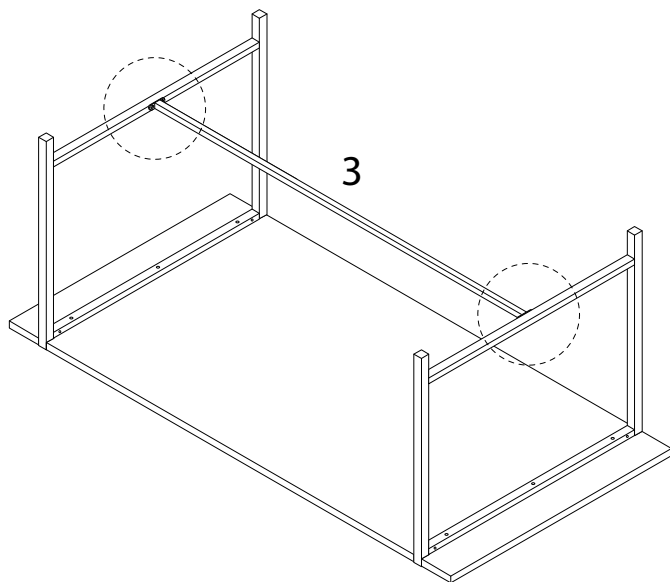
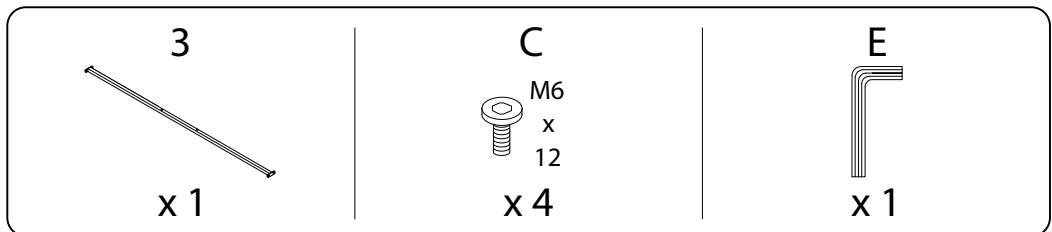


A	B	C	D	E
x 4	x 4	x 8	x 12	x 1

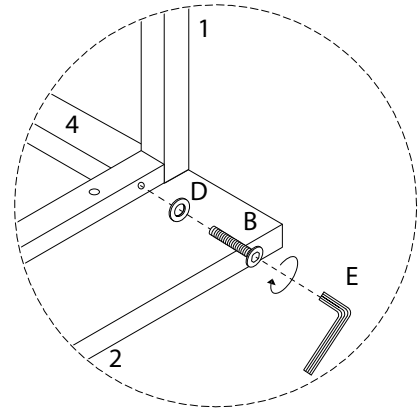
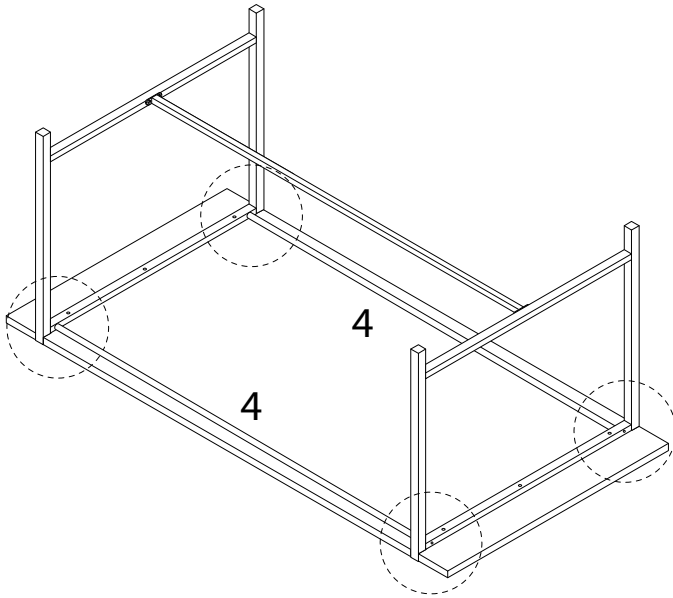
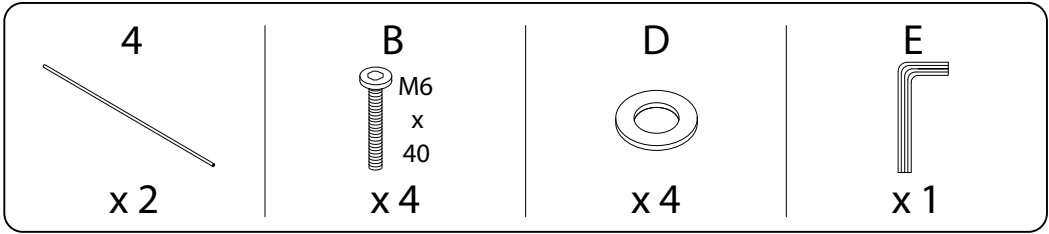
1



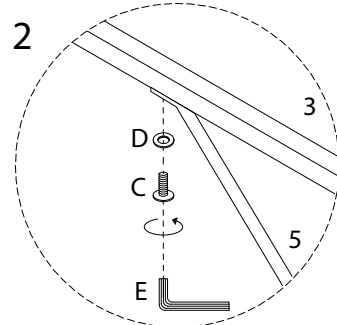
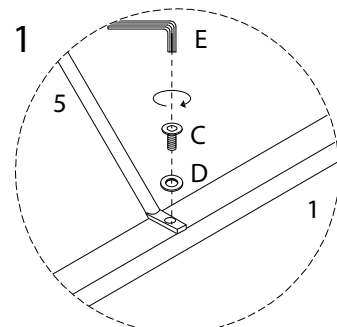
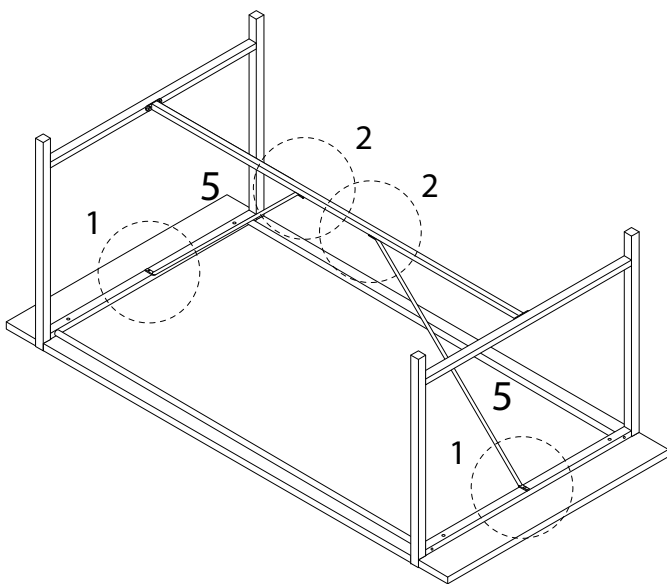
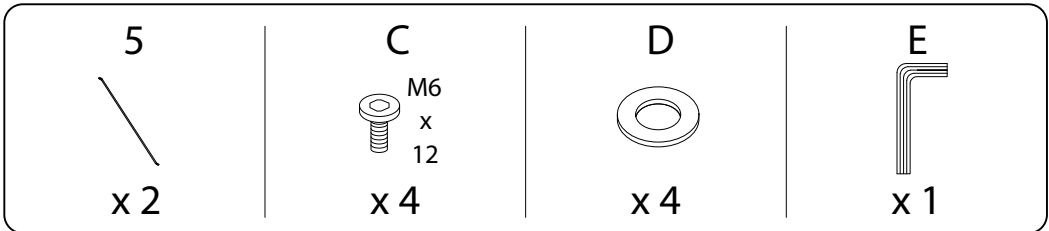
2



3



4



5

A
M6
x
35
x 4

D
x 4

E
x 1

