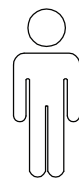
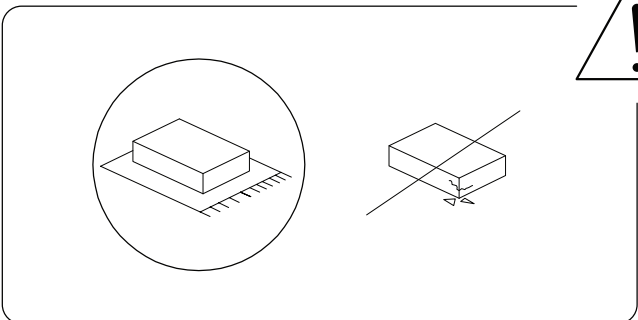
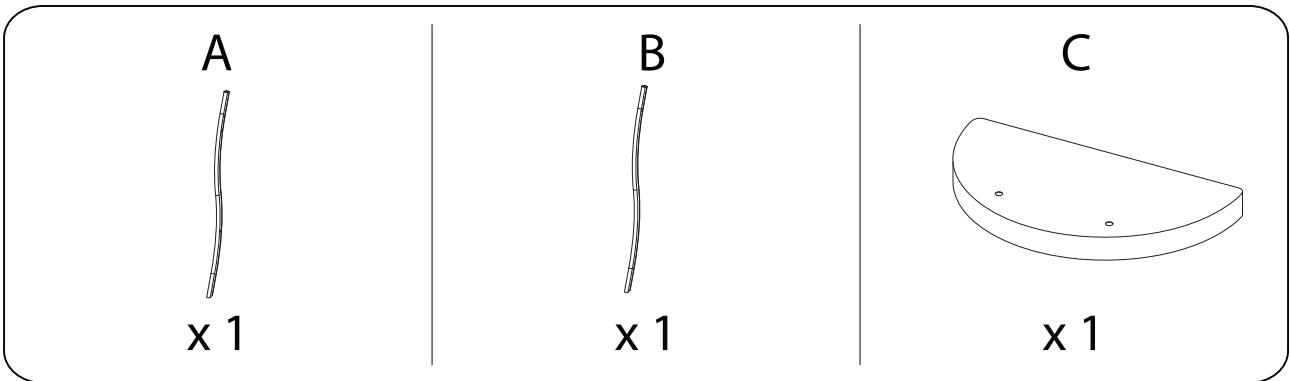
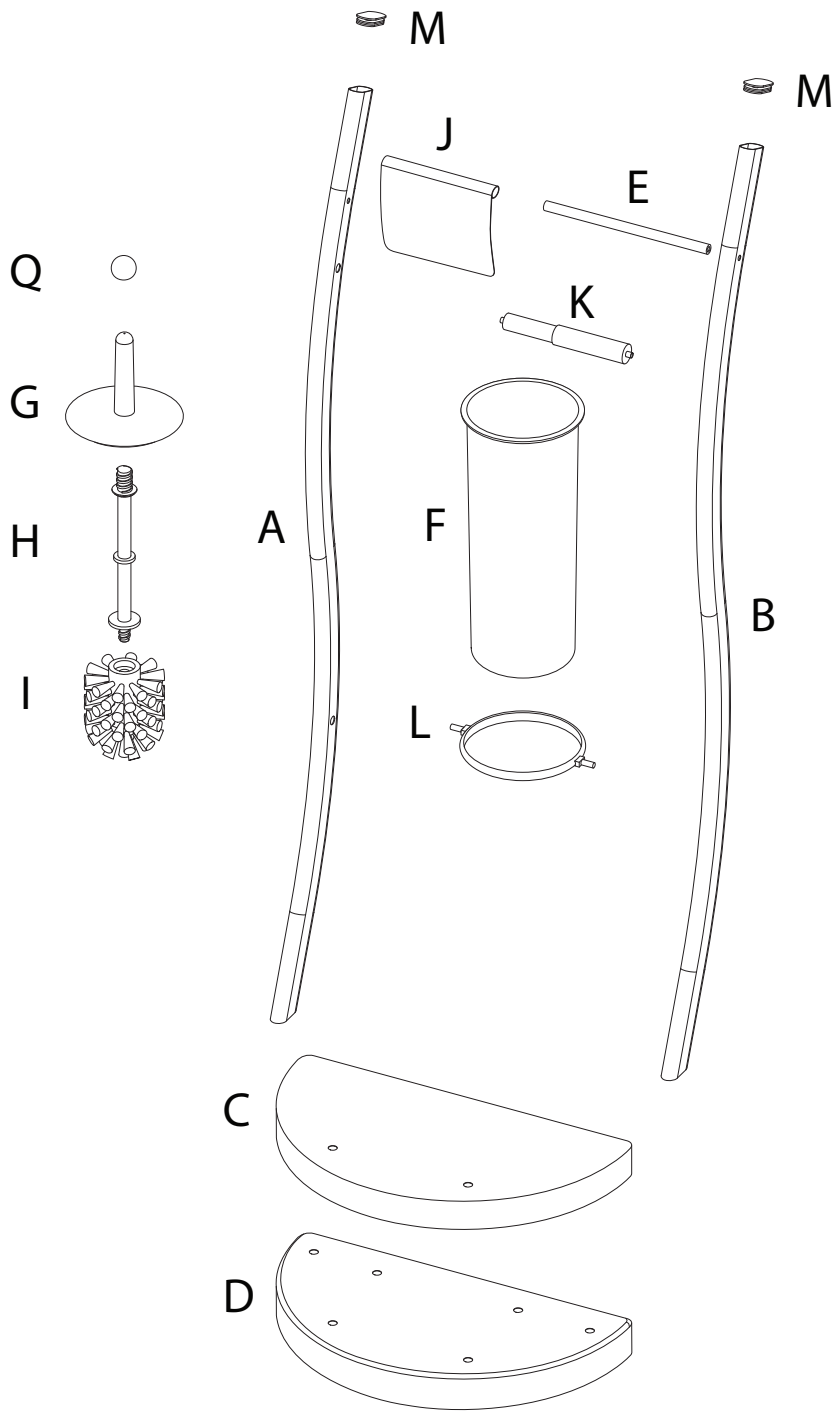


15'

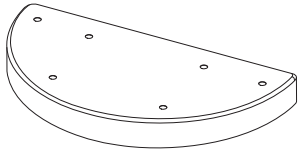


1

1/6



D



x 1

E



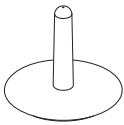
x 1

F



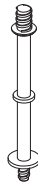
x 1

G



x 1

H



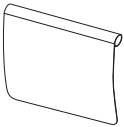
x 1

I



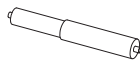
x 1

J



x 1

K



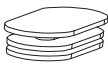
x 1

L



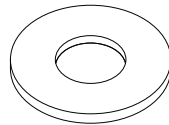
x 1

M



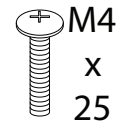
x 2

N



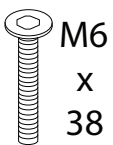
x 2

O



x 2

P



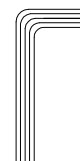
x 2

Q



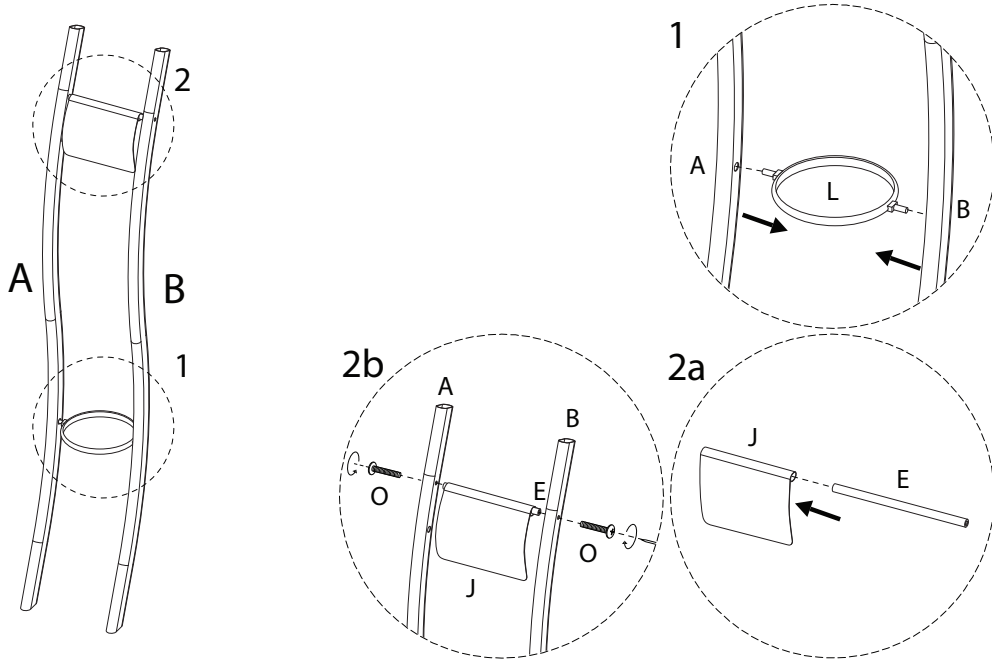
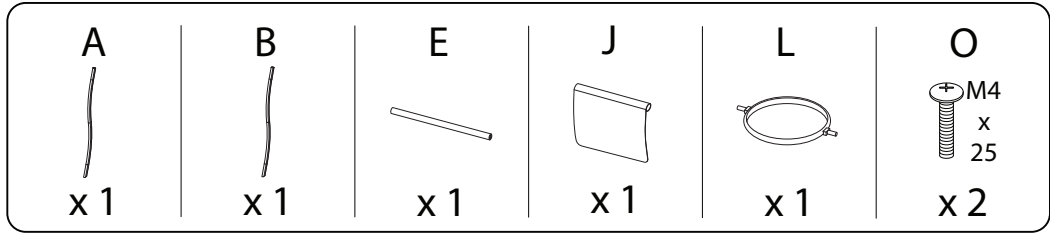
x 1

R

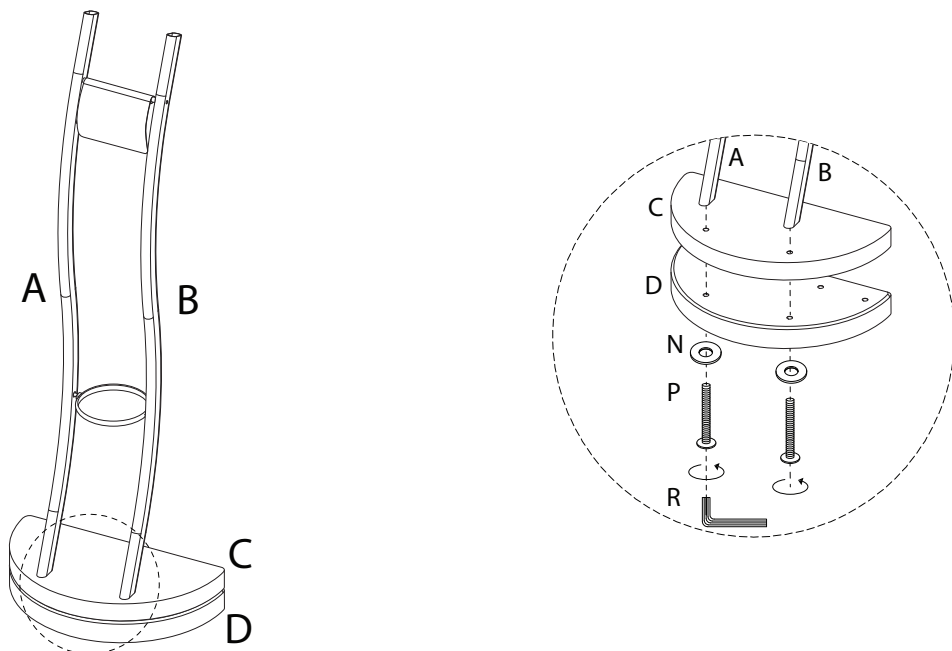
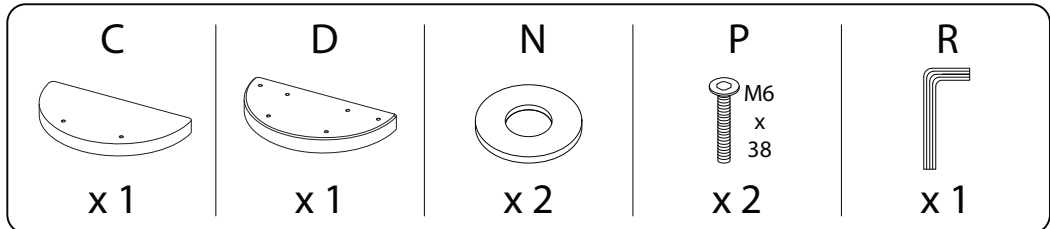


x 1

1

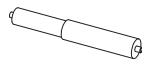


2

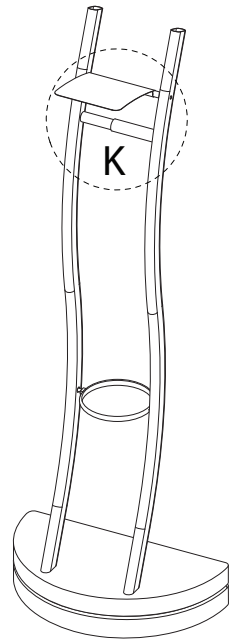


3

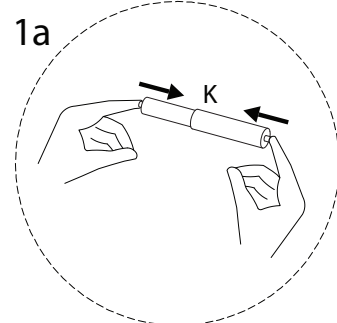
K



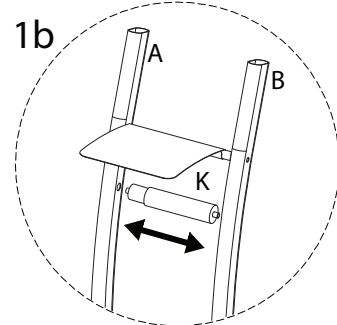
x 1



1a



1b

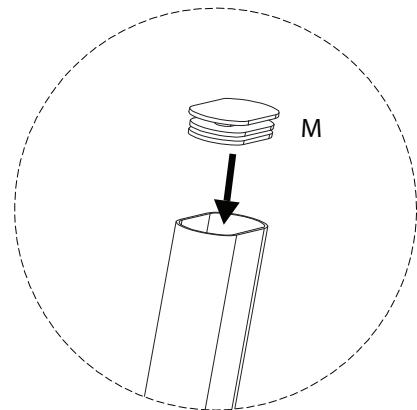
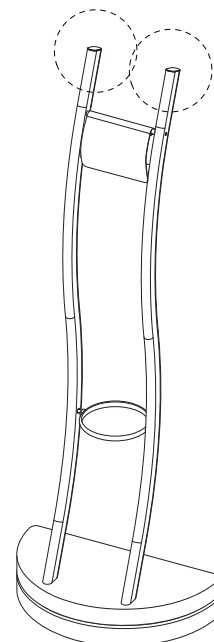


4

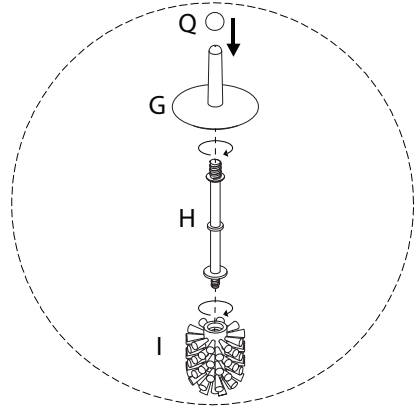
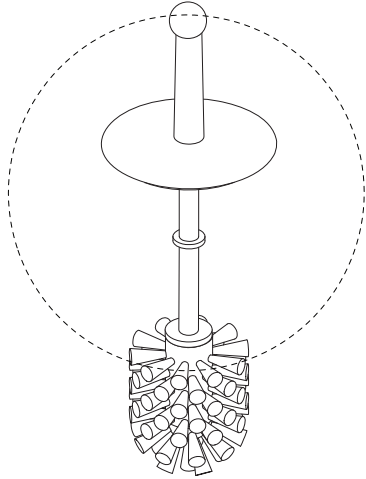
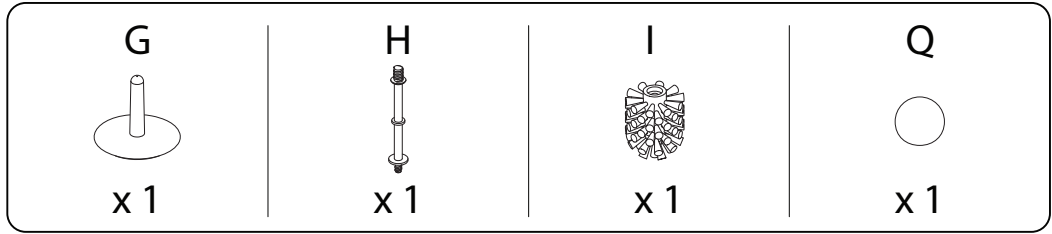
M



x 2



5



6

