

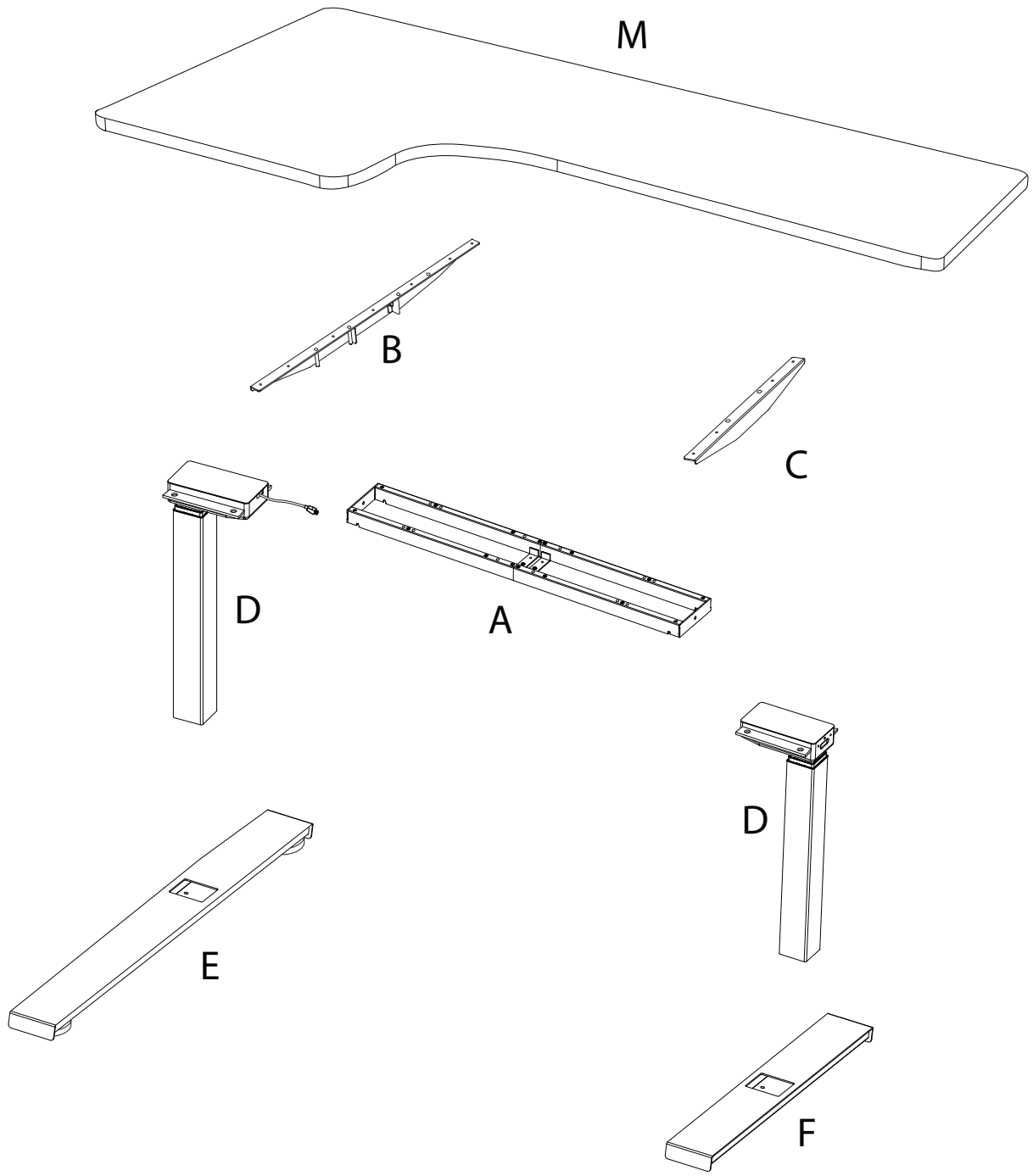
! (Warning icon)

! (Warning icon)

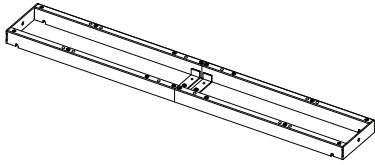
60'

2

An icon showing a screwdriver and a power drill, indicating that these tools are required for assembly.An icon of a person, indicating that two people are required for assembly.An icon of a clock, indicating the estimated assembly time is 60 minutes.A warning triangle icon with an exclamation mark inside, indicating a safety warning.A warning triangle icon with an exclamation mark inside, indicating a safety warning.An icon of a person, indicating that two people are required for assembly.An icon of a clock, indicating the estimated assembly time is 60 minutes.

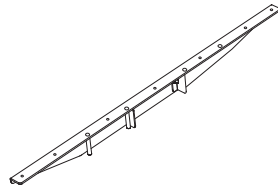


A



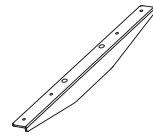
x1

B



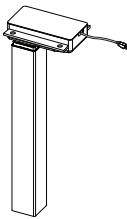
x1

C



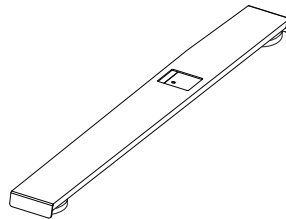
x1

D



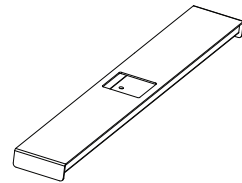
x2

E



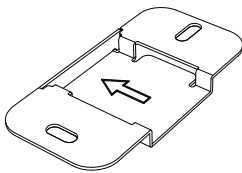
x1

F



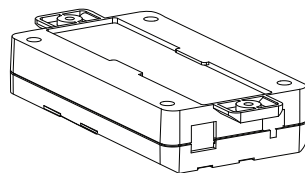
x1

G



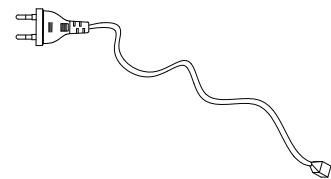
x1

H



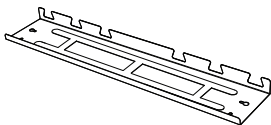
x1

I



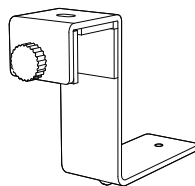
x1

J



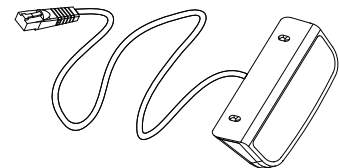
x1

K



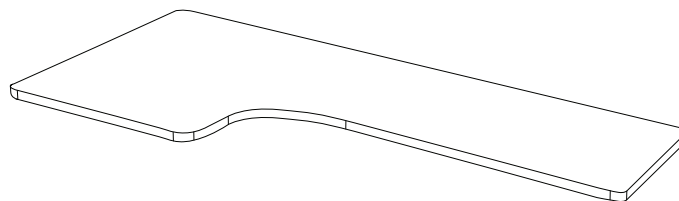
x2

L

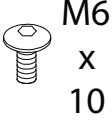
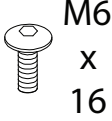
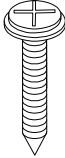
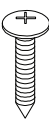


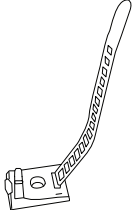
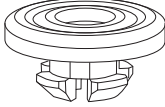



x1

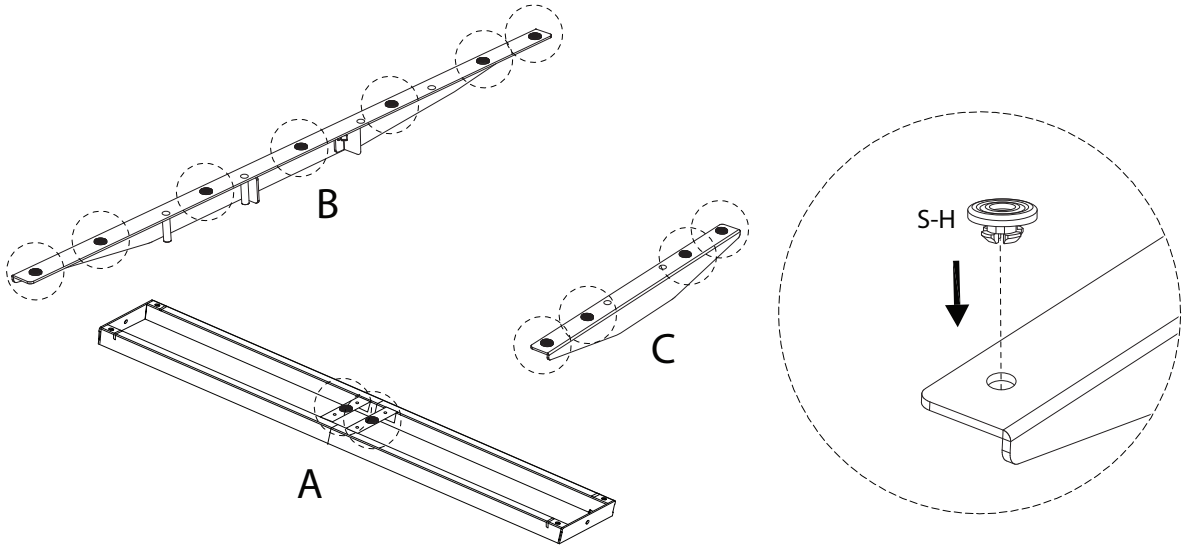
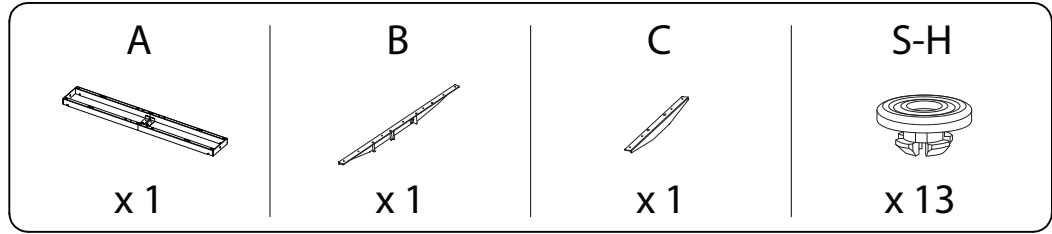
M



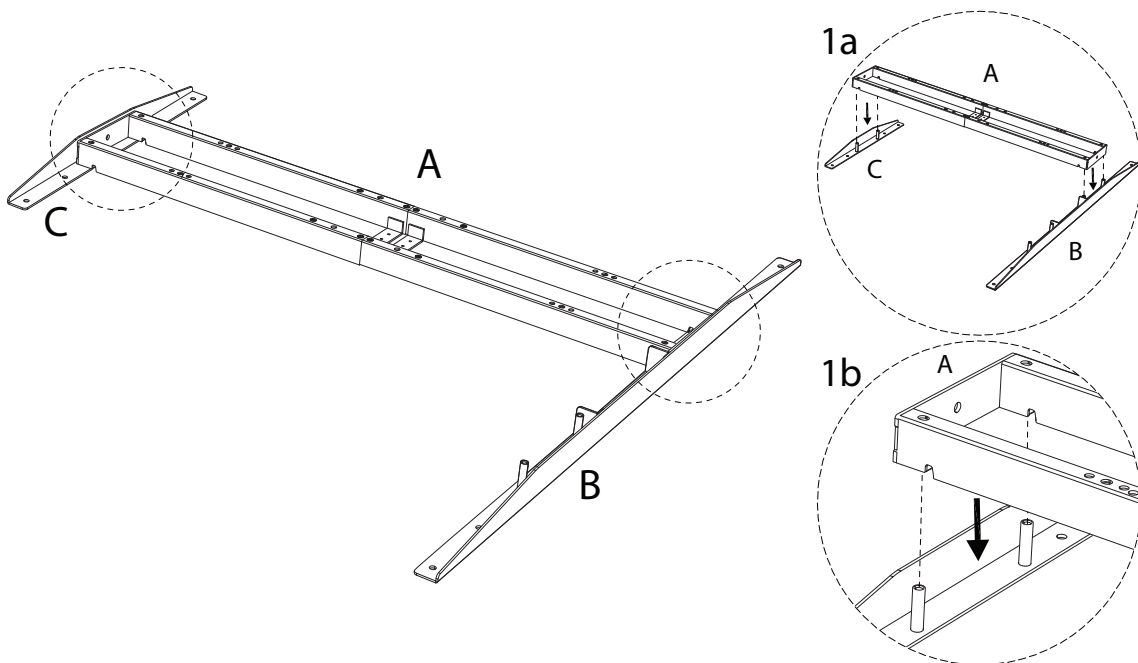
x1

<p>S-A</p>  <p>M6 x 10</p> <p>x 8</p>	<p>S-B</p>  <p>M6 x 16</p> <p>x 8</p>	<p>S-C</p>  <p>ST4.2 x 20</p> <p>x 15</p>
<p>S-D</p>  <p>ST3.5 x 20</p> <p>x 5</p>	<p>S-E</p>  <p>M4 x 5</p> <p>x 2</p>	<p>S-F</p>  <p>M4 x 5</p> <p>x 4</p>
<p>S-G</p>  <p>x 3</p>	<p>S-H</p>  <p>x 13</p>	<p>S-I</p>  <p>x 1</p>

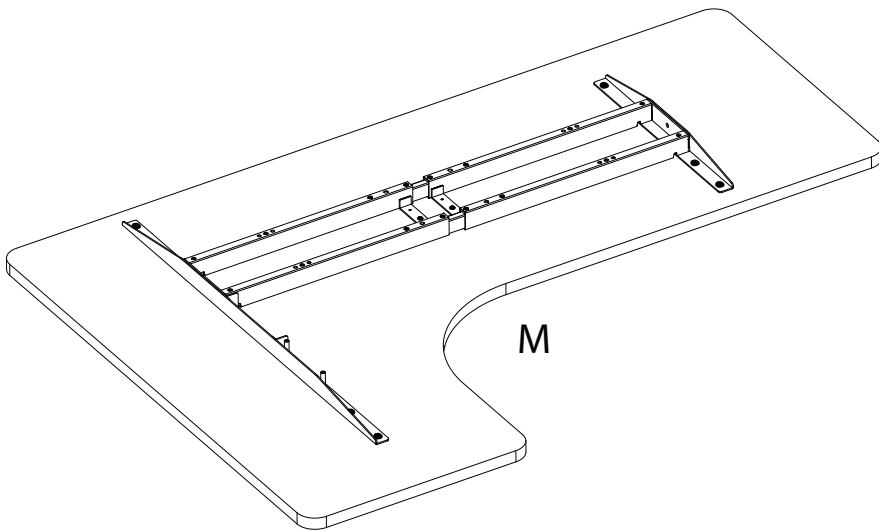
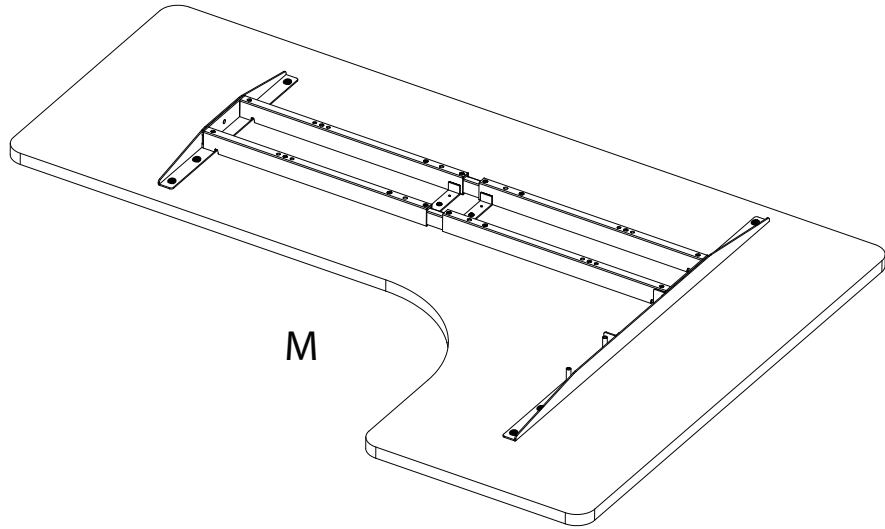
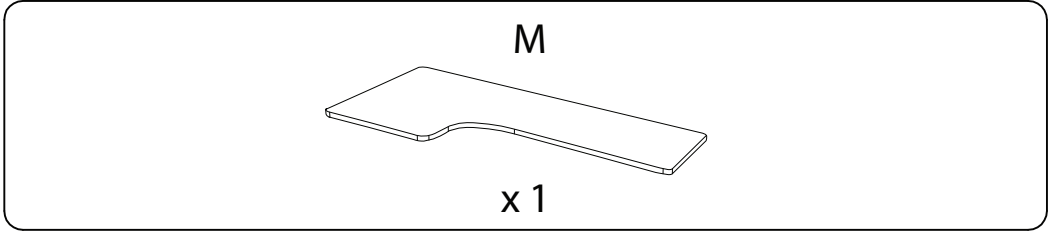
1



2

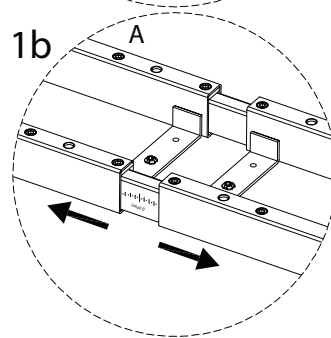
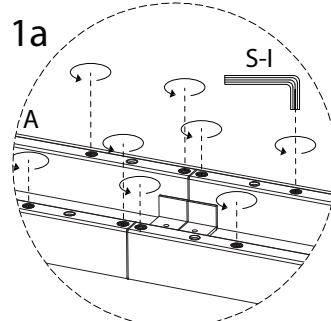
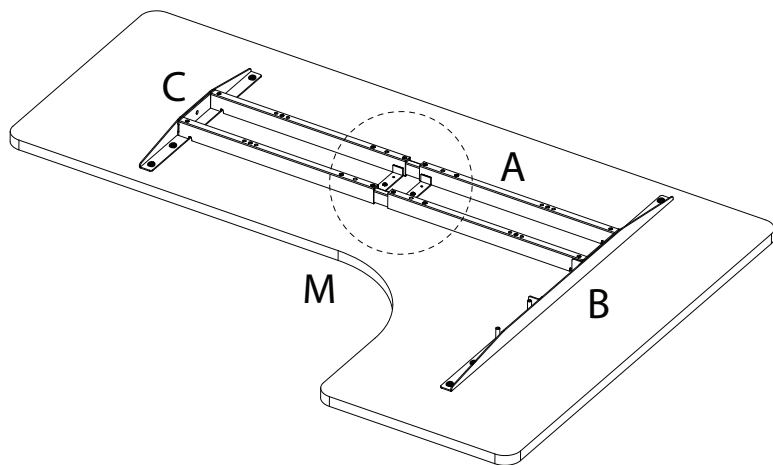


!



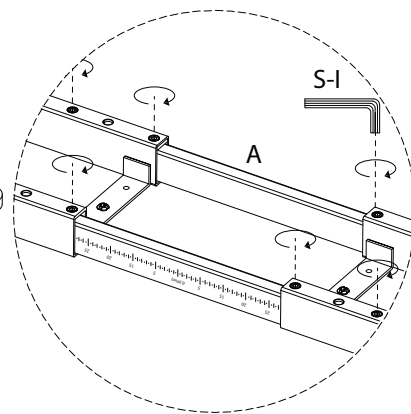
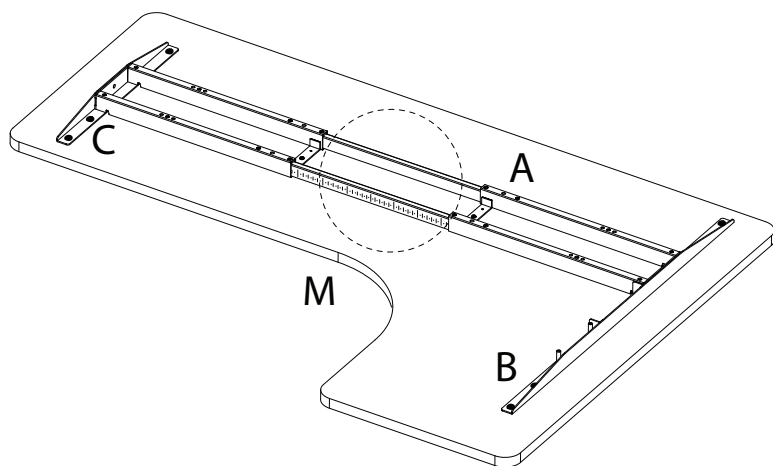
3

S-I  
x 1

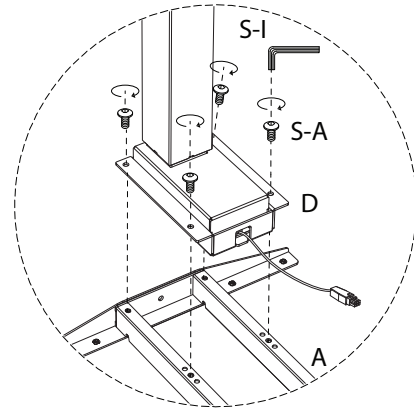
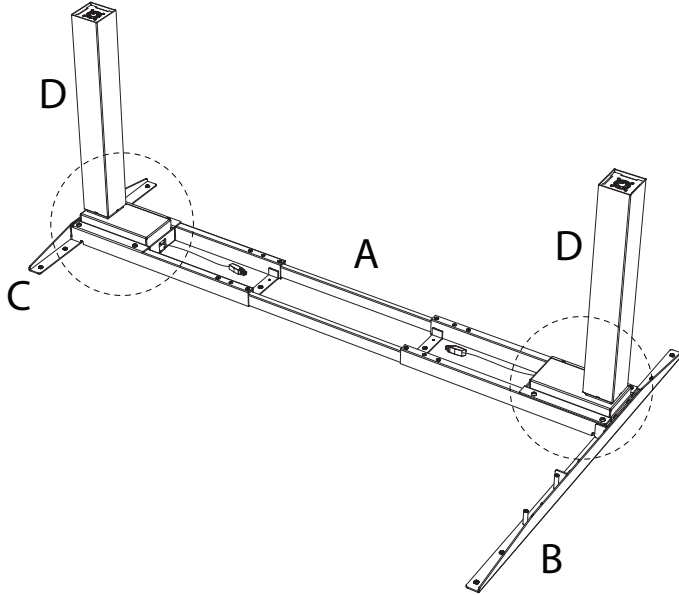
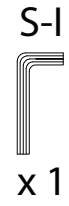


4

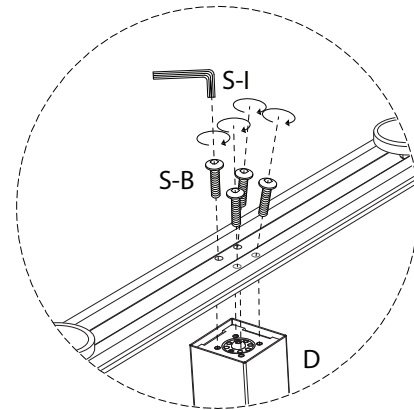
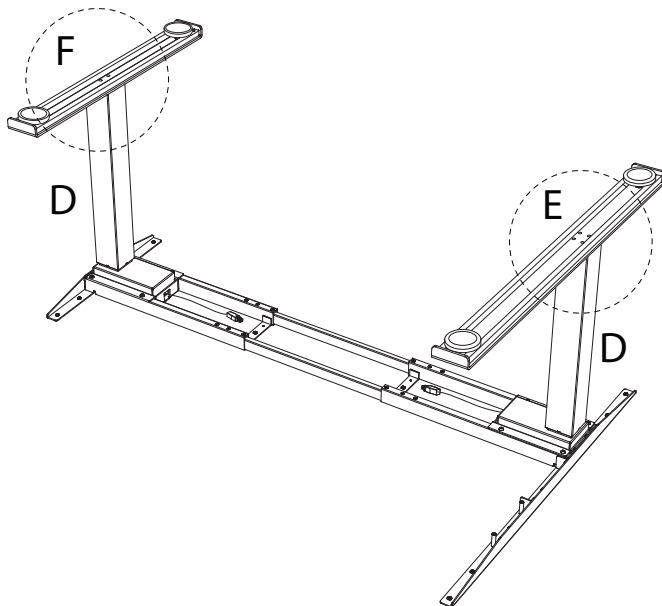
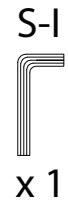
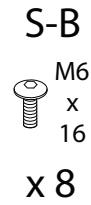
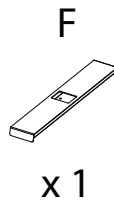
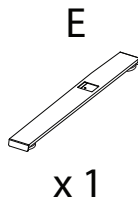
S-I  
x 1



5



6

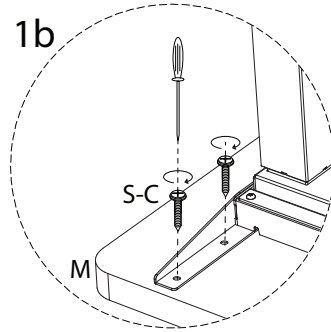
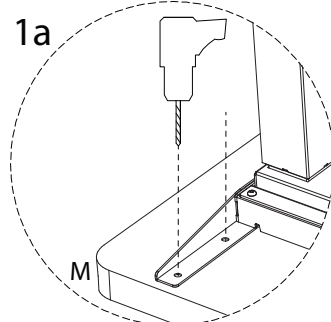
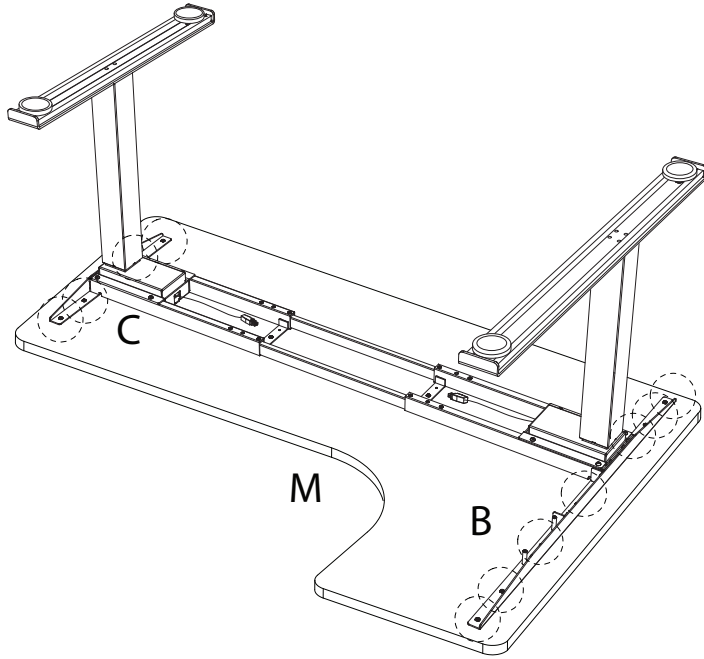




7

S-C

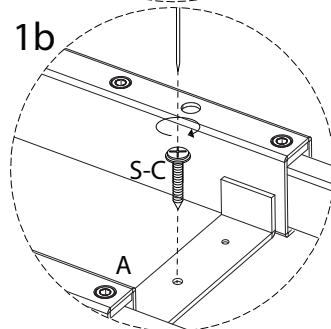
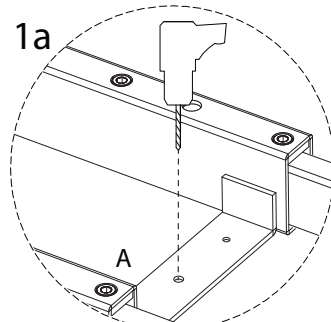
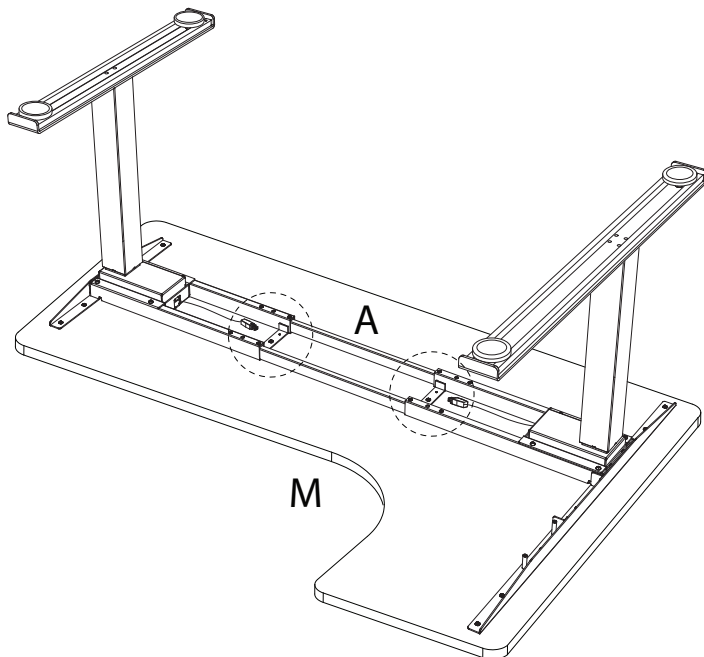
ST4.2  
x  
20  
x 11



8

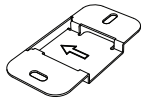
S-C

ST4.2  
x  
20  
x 2



9

G



x 1

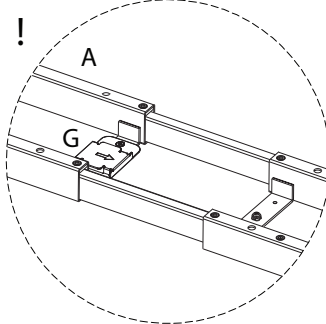
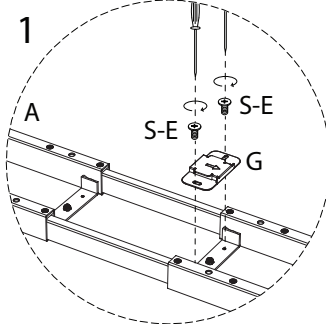
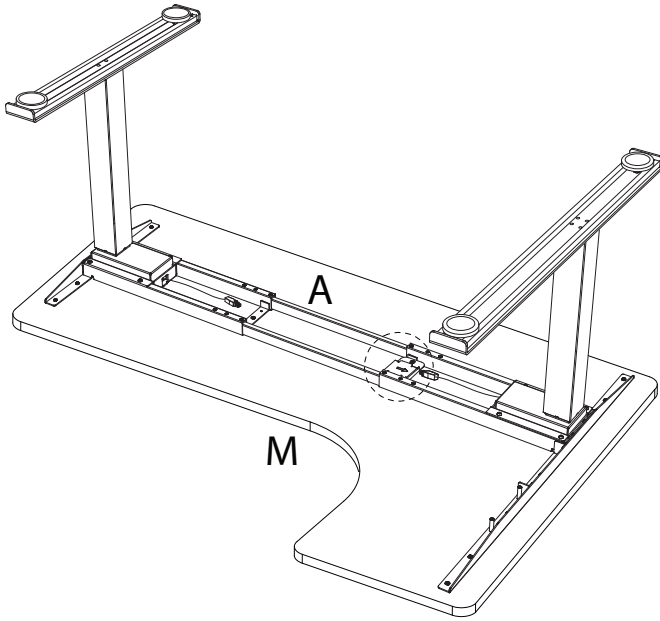
S-E

M4



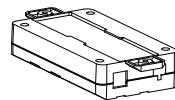
x 5

x 2

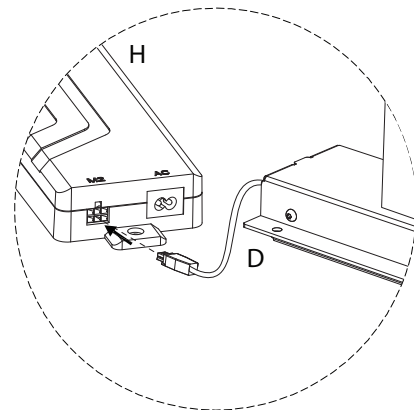
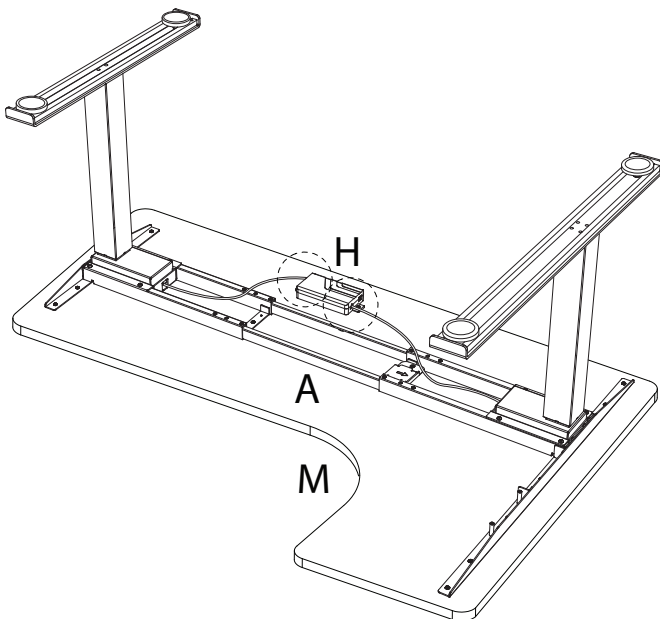


10

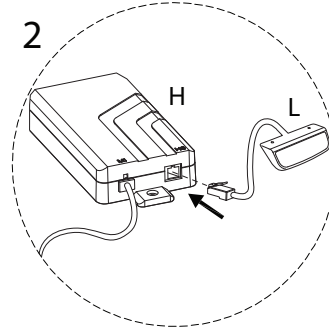
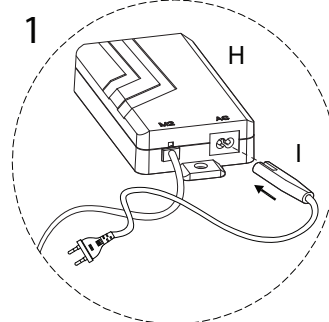
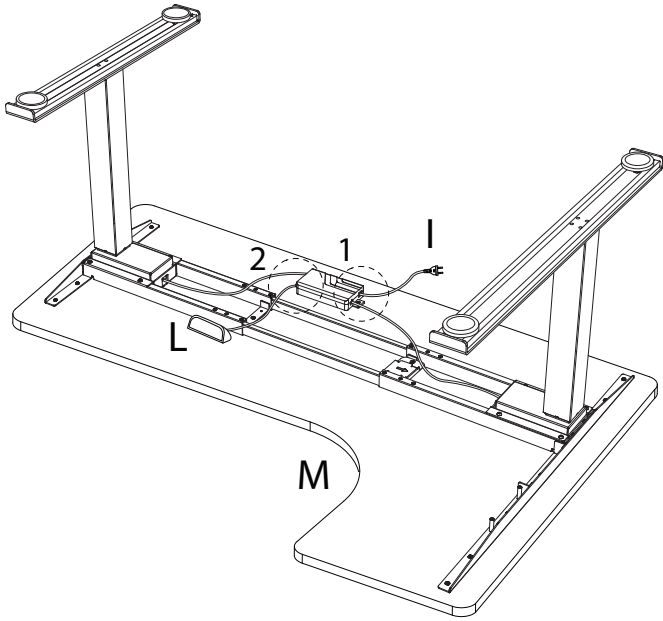
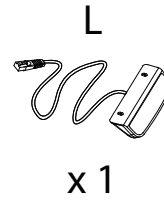
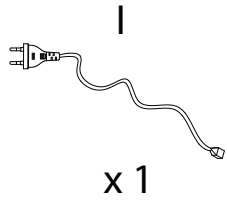
H



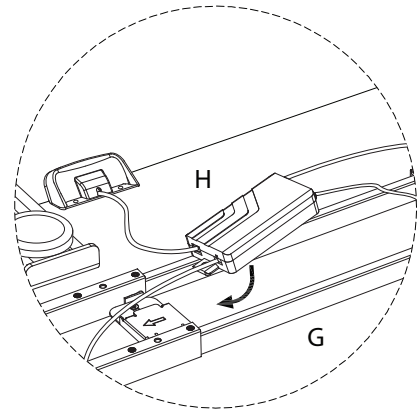
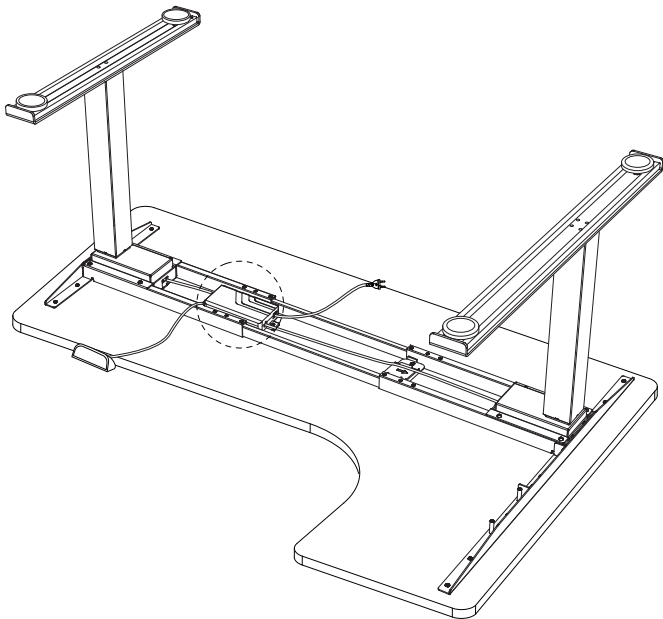
x 1



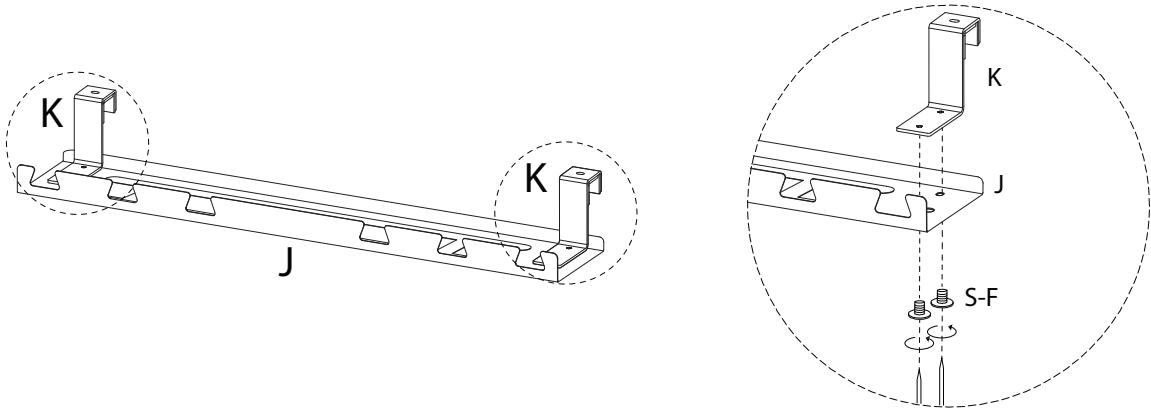
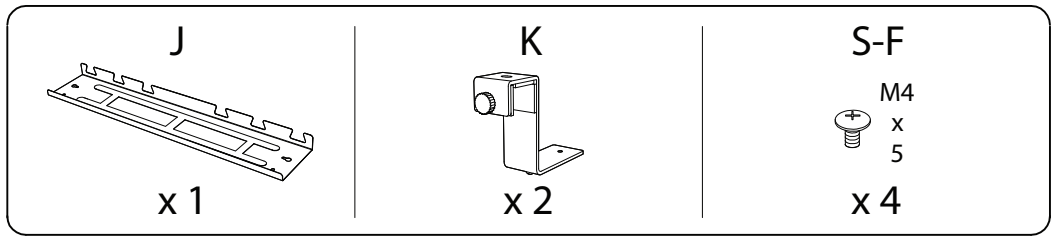
11



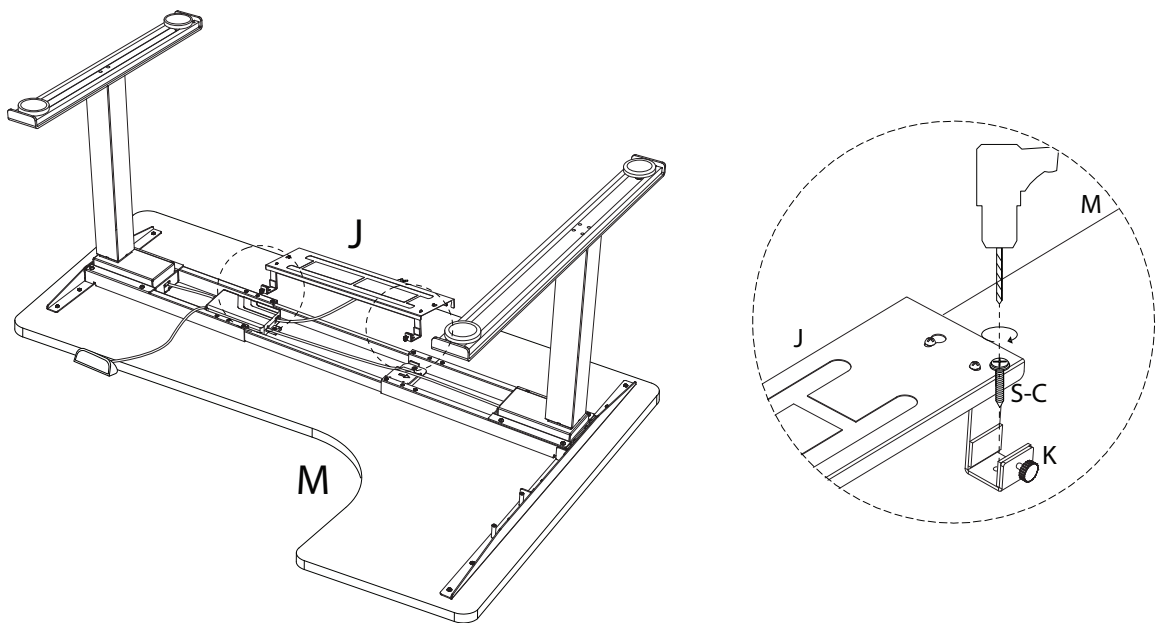
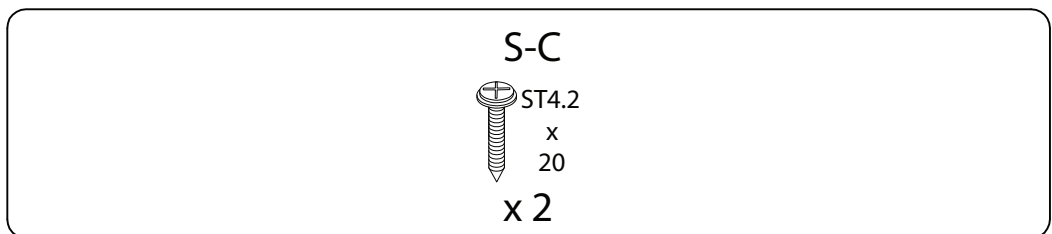
12



13

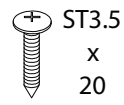


14

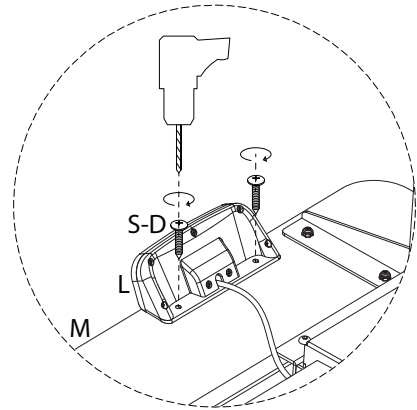
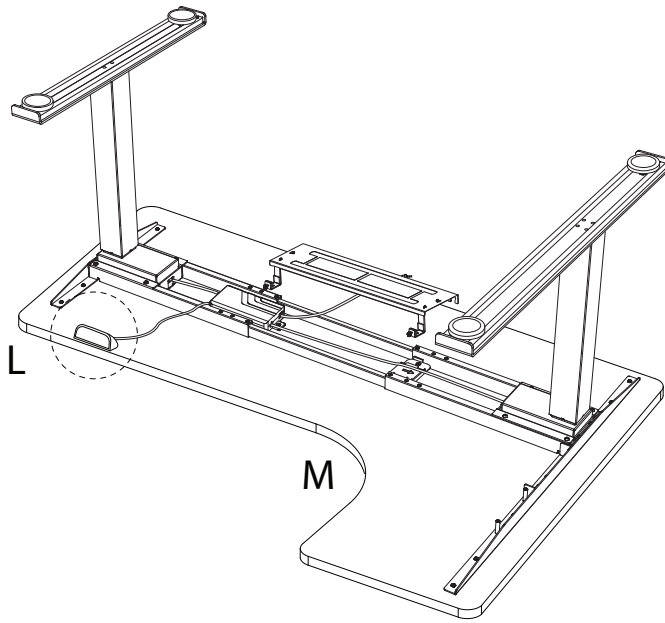


15

S-D

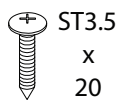


x 2



16

S-D

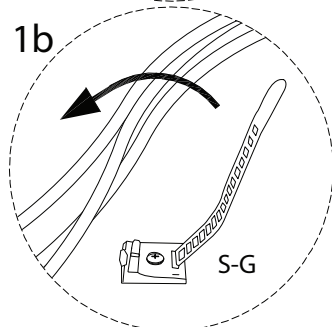
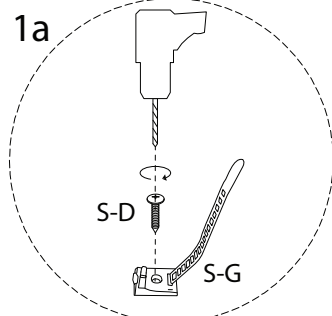
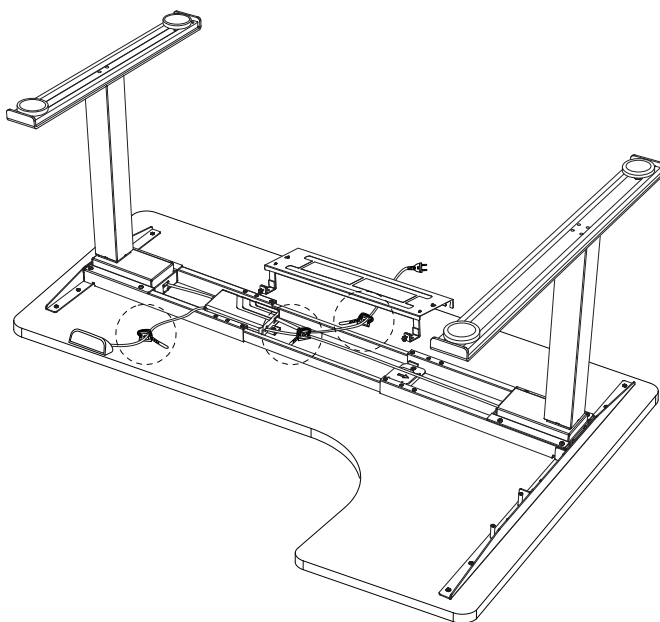


x 3

S-G



x 3



17

