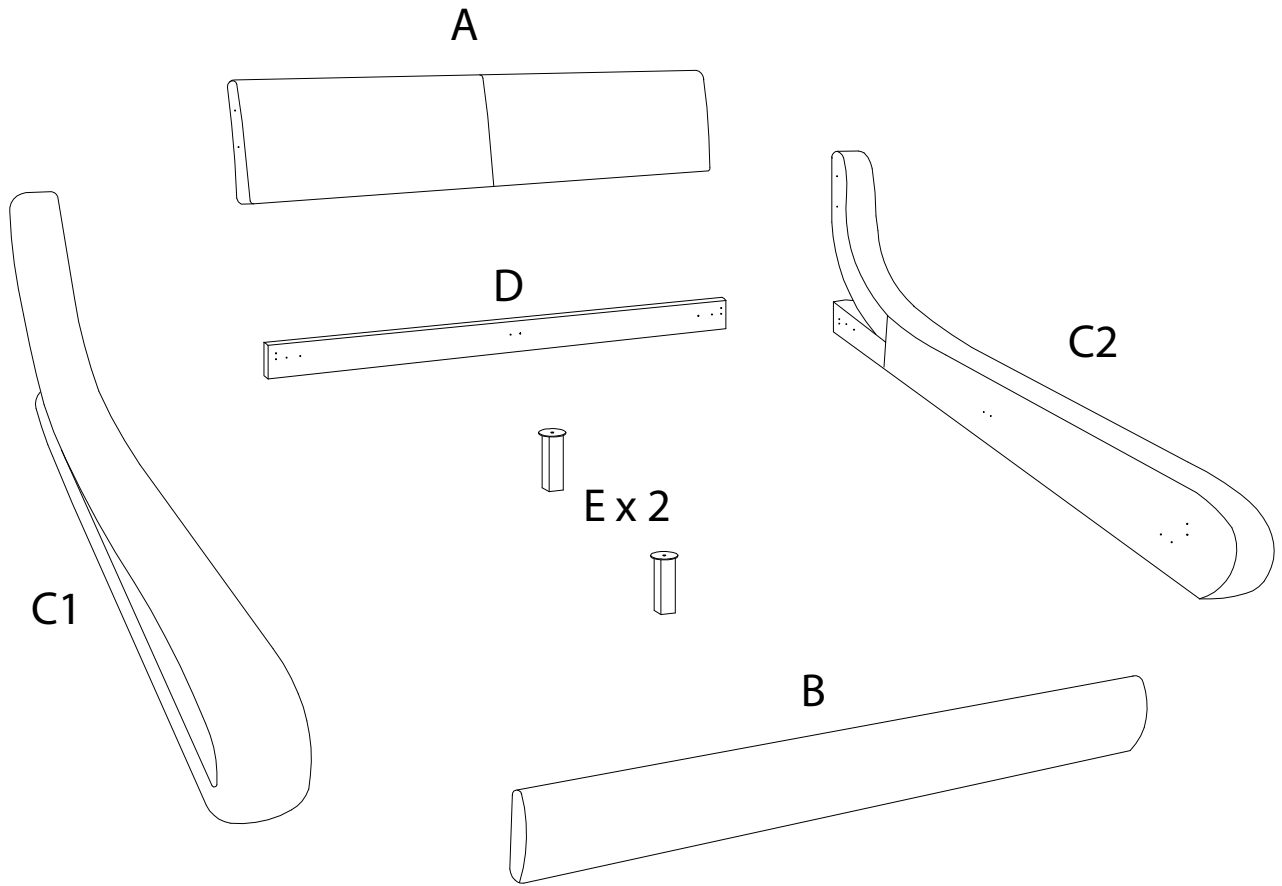



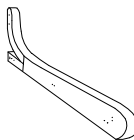


		45'
		2



A	B	C1	C2	D
				
x 1	x 1	x 1	x 1	x 1

E



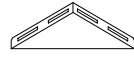
x 2

F



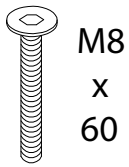
x 4

G



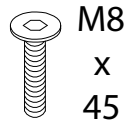
x 4

H



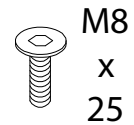
x 4

I



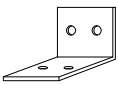
x 6

J



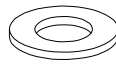
x 40

K



x 8

L



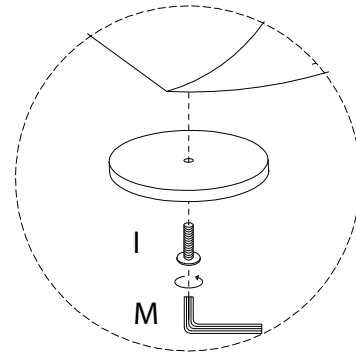
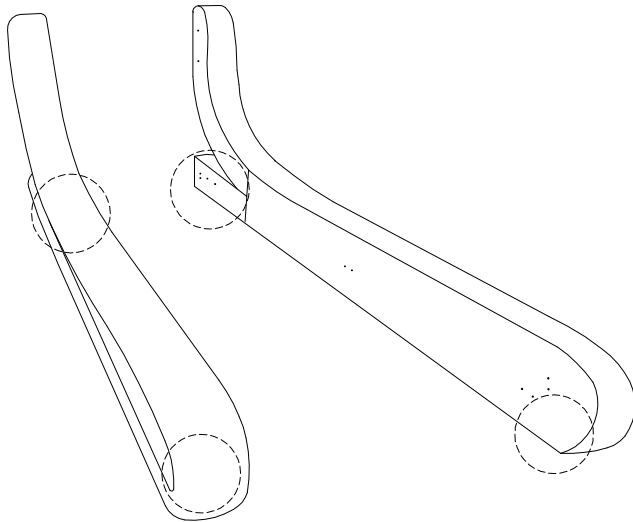
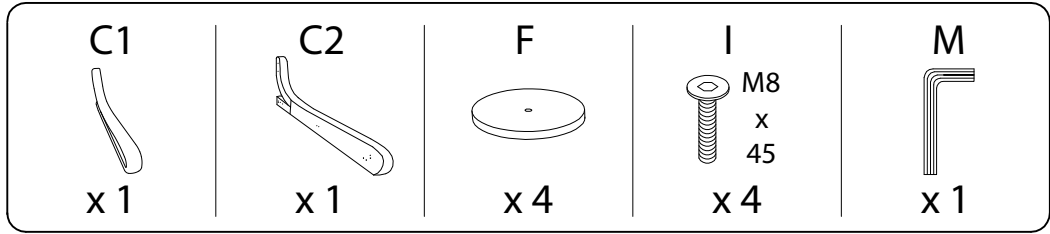
x 4

M

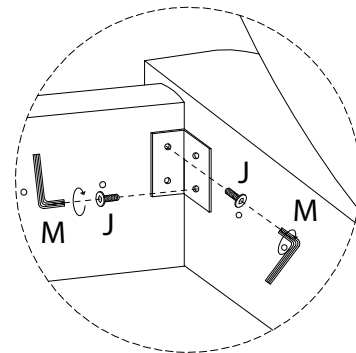
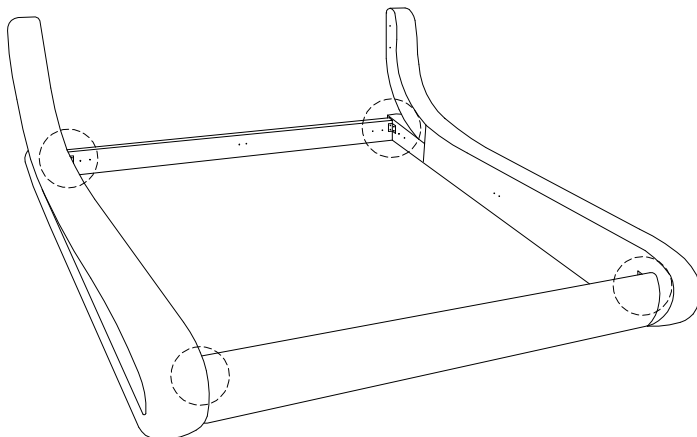
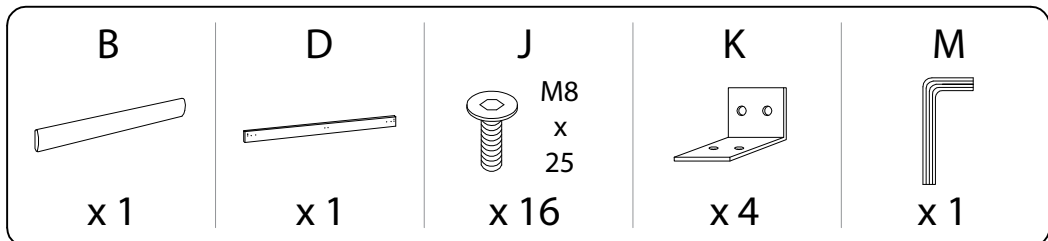


x 2

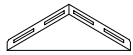
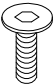
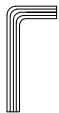
1

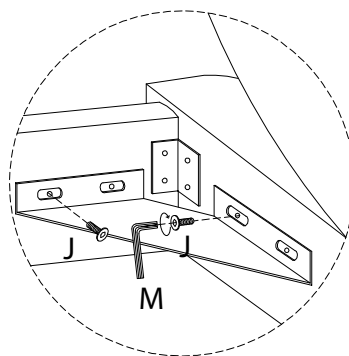
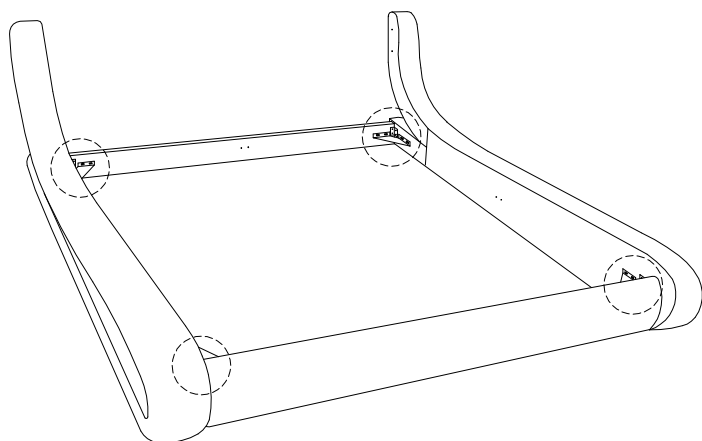


2

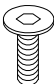
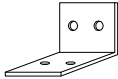



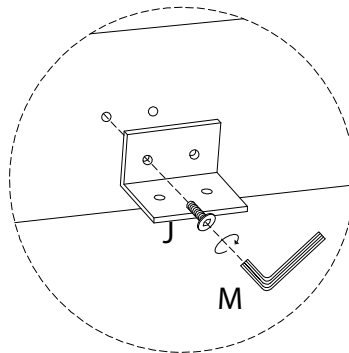
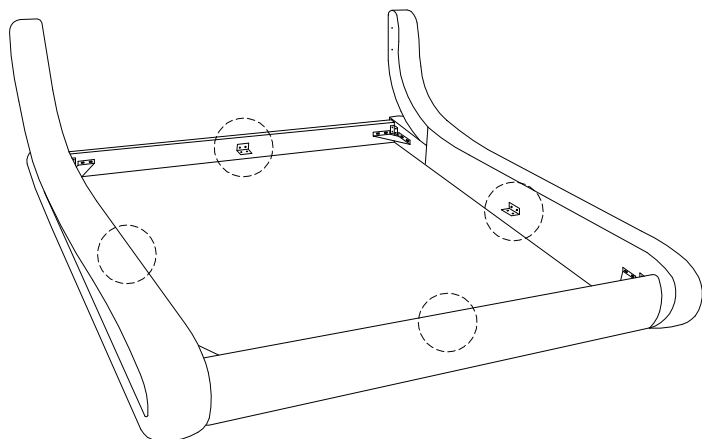
3

<p>G</p>  <p>x 4</p>	<p>J</p>  <p>M8 x 25</p> <p>x 16</p>	<p>M</p>  <p>x 1</p>
---	---	---


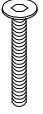

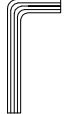


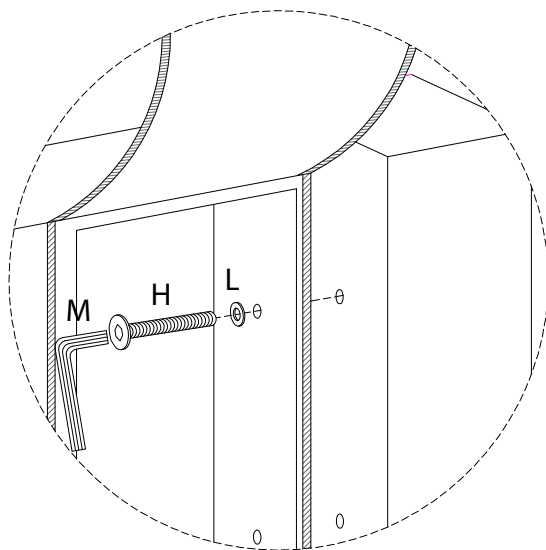
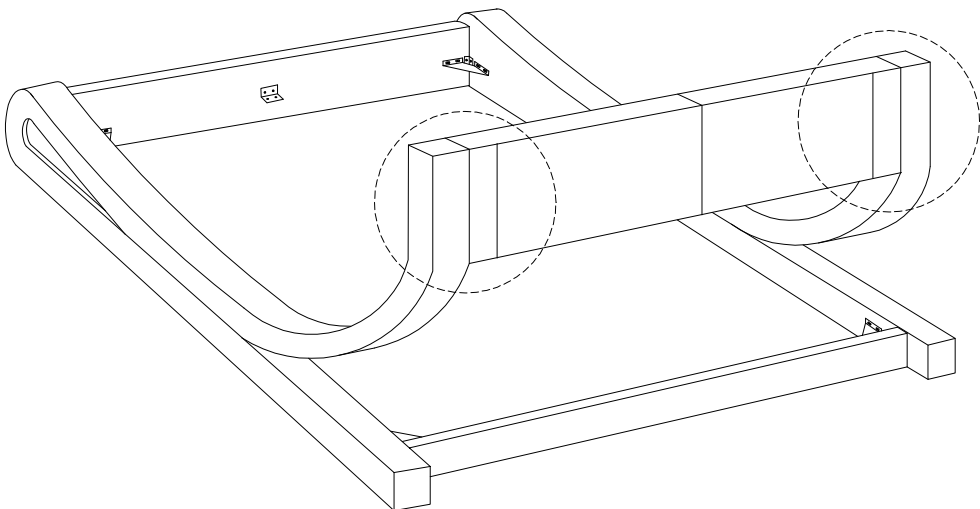
4

<p>J</p>  <p>M8 x 25</p> <p>x 8</p>	<p>K</p>  <p>x 4</p>	<p>M</p>  <p>x 1</p>
--	---	---

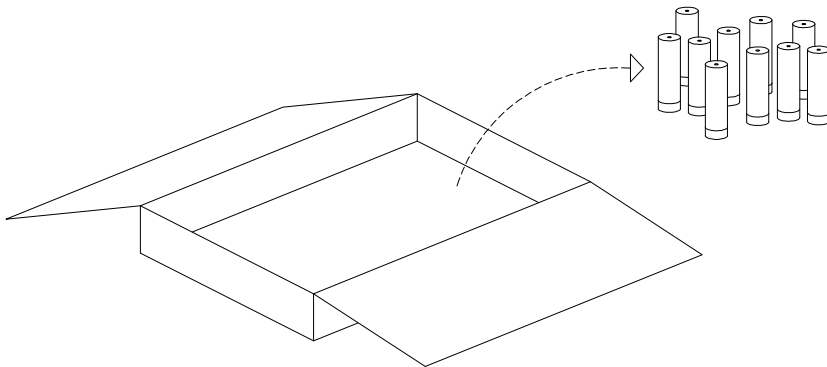
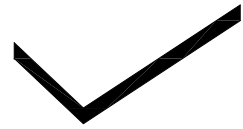
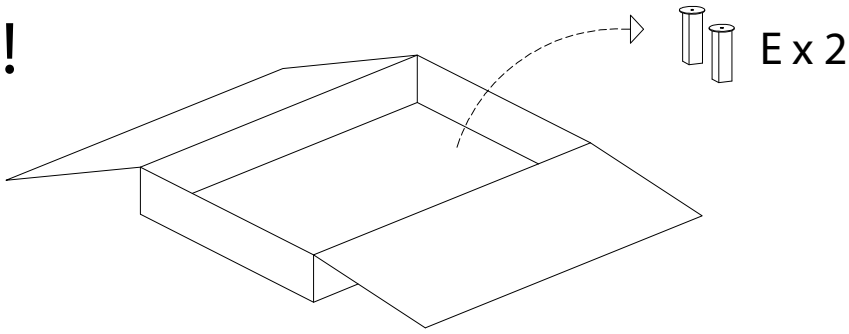


5

<p>A</p>  <p>x 1</p>	<p>H</p>  <p>M8 x 60</p> <p>x 4</p>	<p>L</p>  <p>x 4</p>	<p>M</p>  <p>x 1</p>
---	--	--	---



!



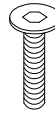
6

E



x 2

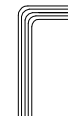
I



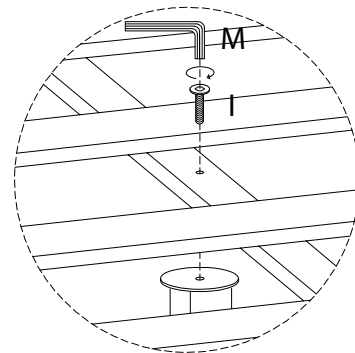
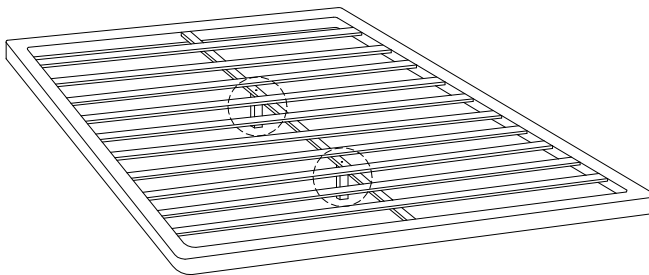
M8  
x  
45

x 2

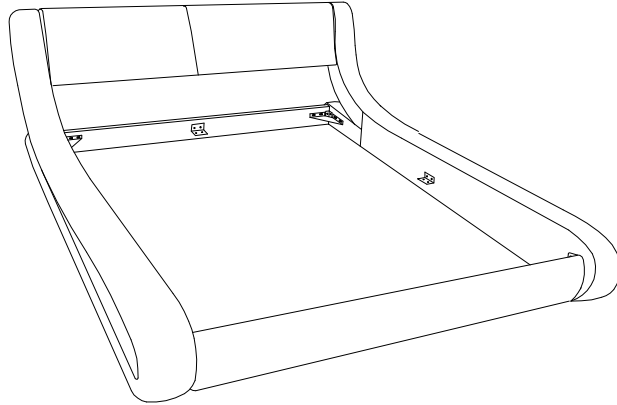
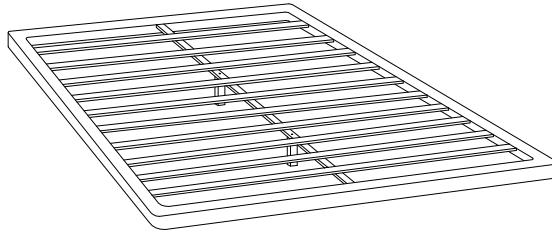
M



x 1



!



!

