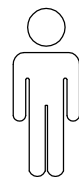
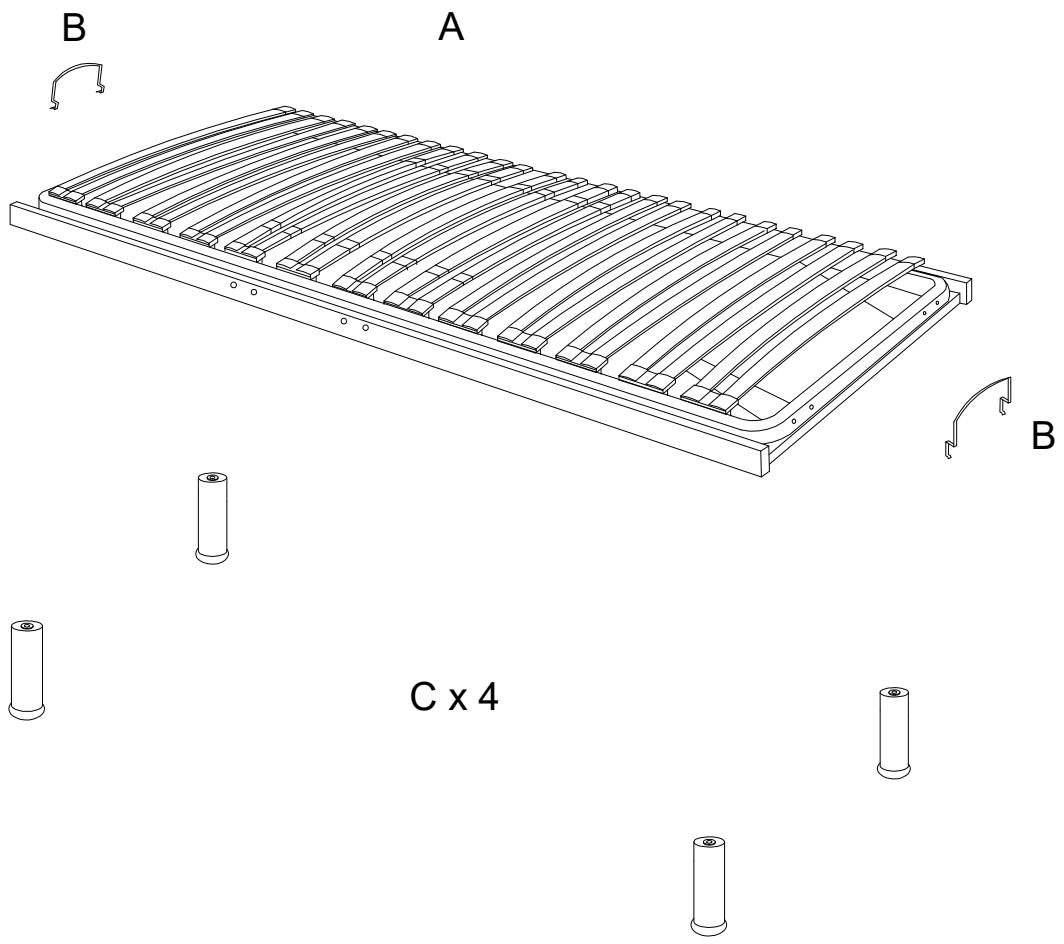
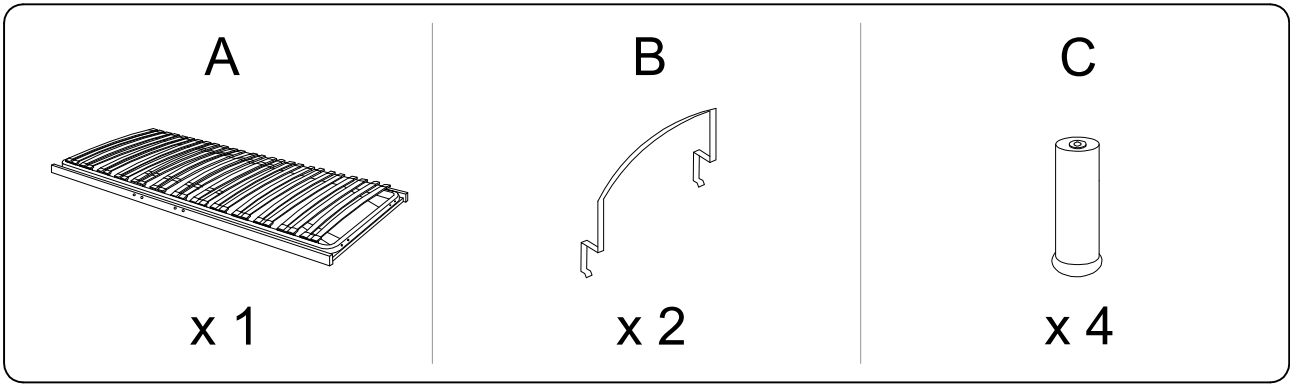


15'



1

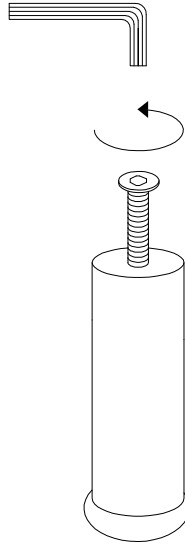


1

C

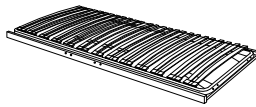


x 4

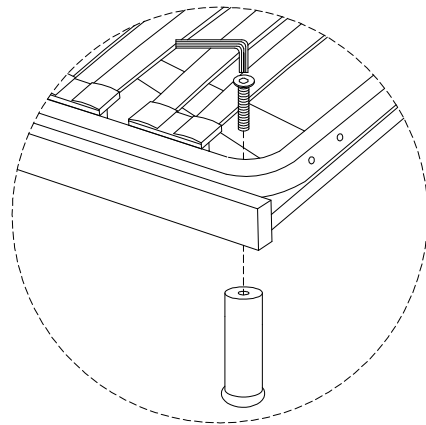
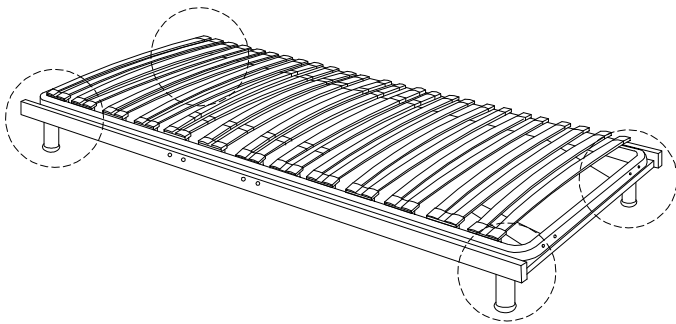


2

A



x 1



3

