

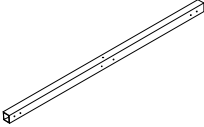
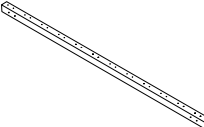
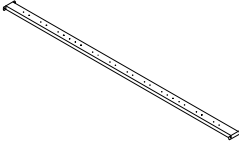
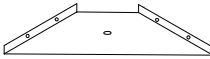
Assembly instructions for the bed frame, including tool requirements, time, and personnel.

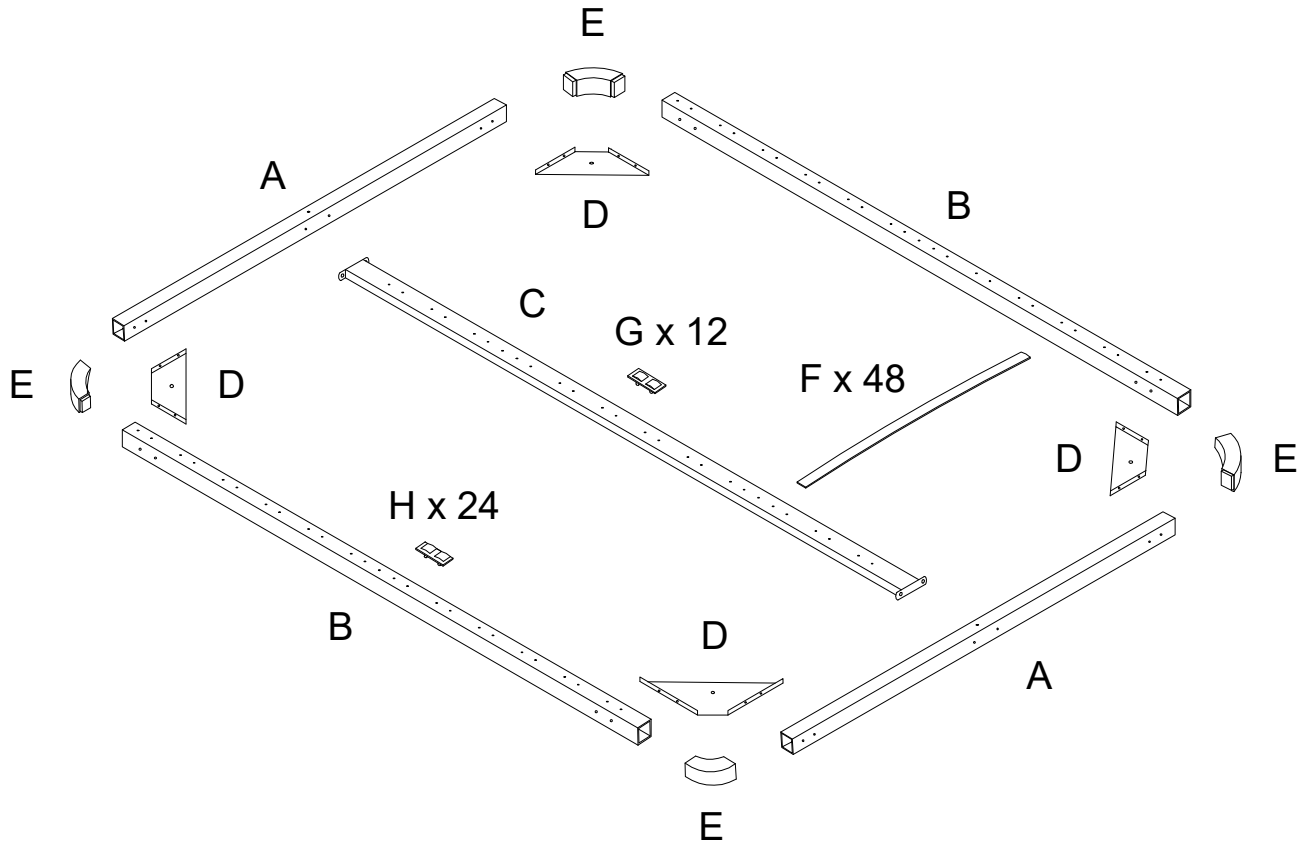
Tools: An icon in a circle shows an Allen key and a wrench. A power drill icon is crossed out with a diagonal line, indicating it is not required.


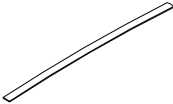
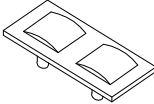
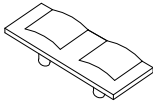
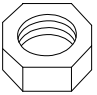
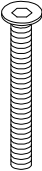
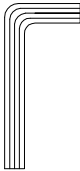
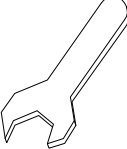
Time: A clock icon is shown with the number **35'** below it, indicating an estimated assembly time of 35 minutes.

Personnel: A stick figure icon is shown with the number **2** below it, indicating that two people are required for assembly.

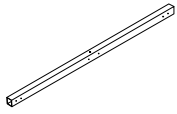
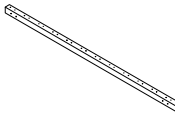
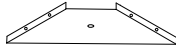
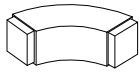
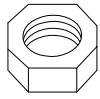
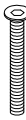
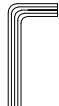
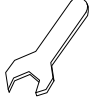
Warnings: Two warning triangles, each containing an exclamation mark, are positioned to the right of the tool and personnel icons, indicating safety precautions.

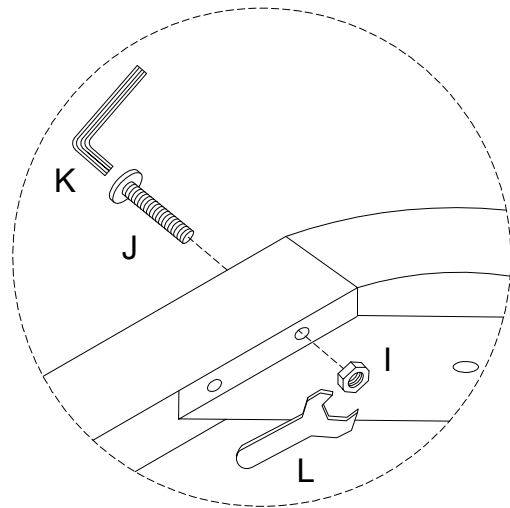
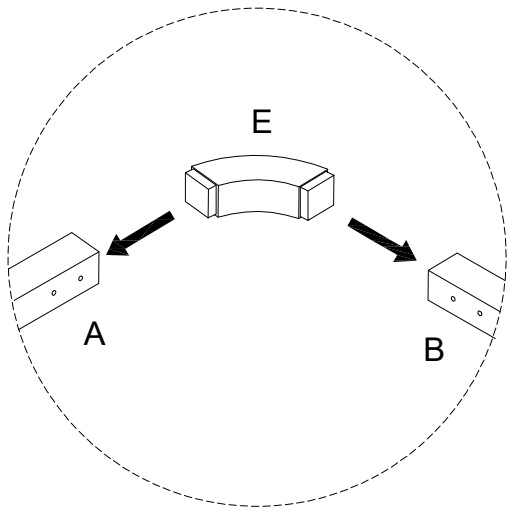
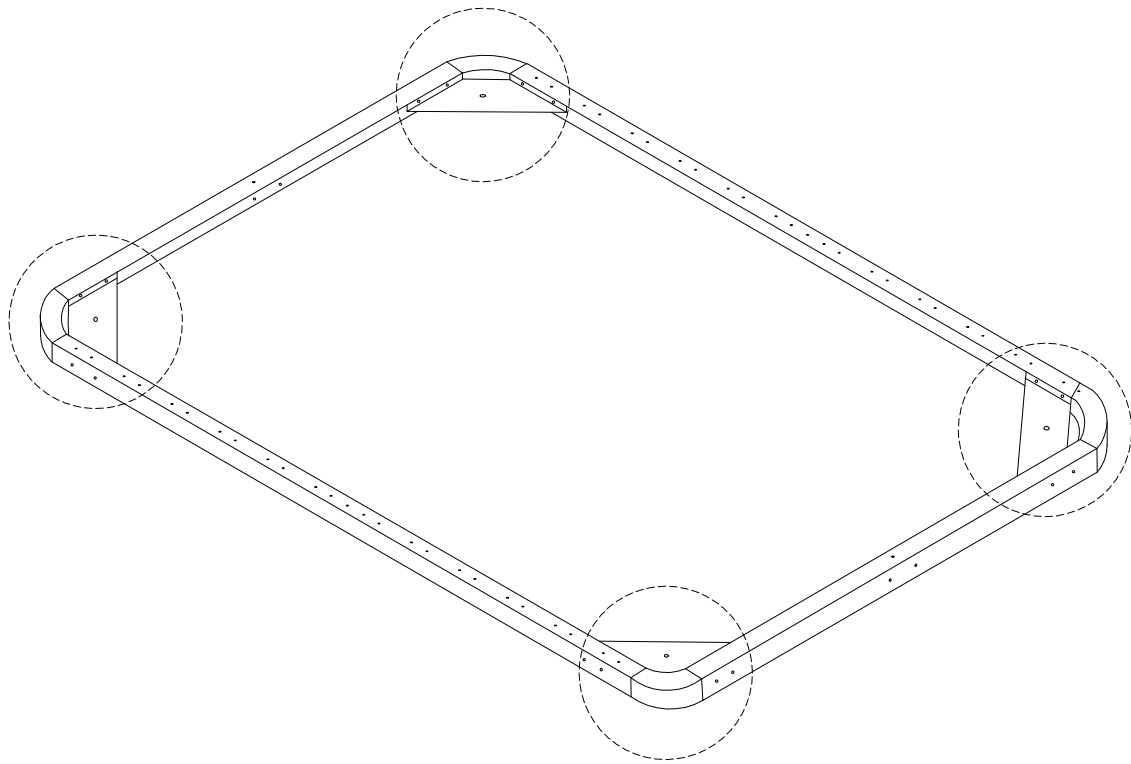
A	B	C	D
			
x 2	x 2	x 1	x 4



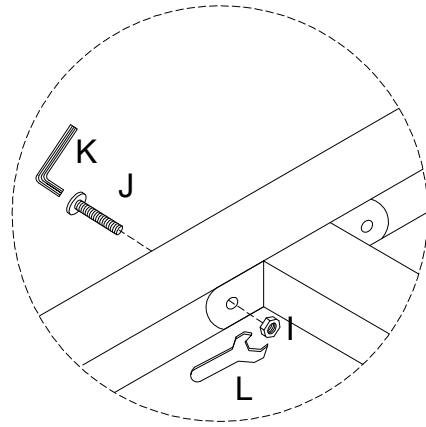
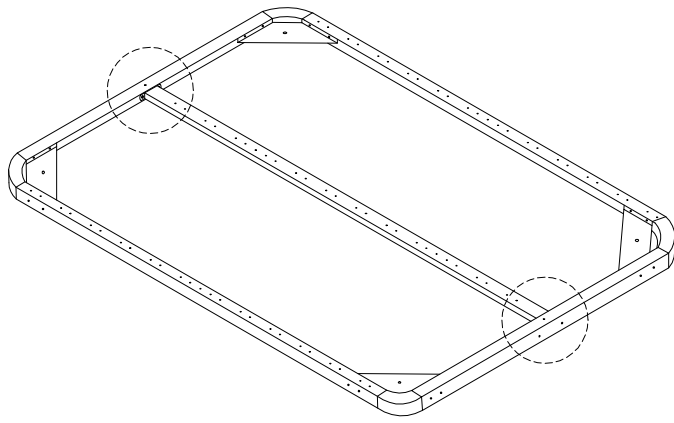
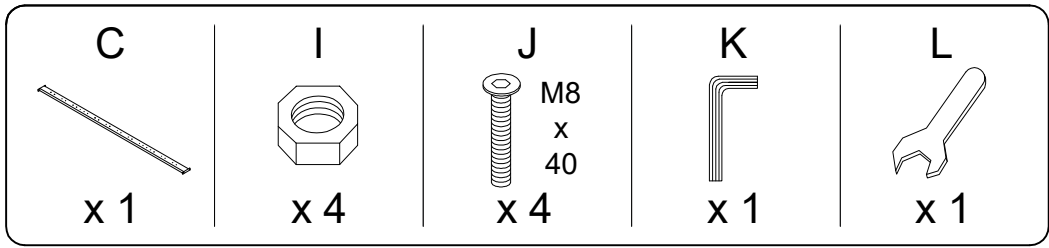
E	F	G	H
			
x 4	x 48	x 12	x 24
I	J	K	L
	 M8 x 40		
x 20	x 20	x 1	x 1

1

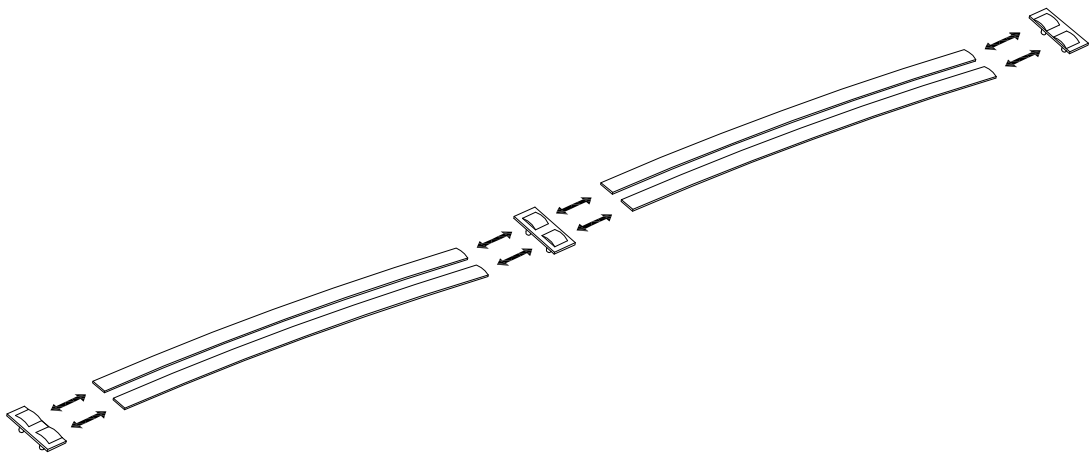
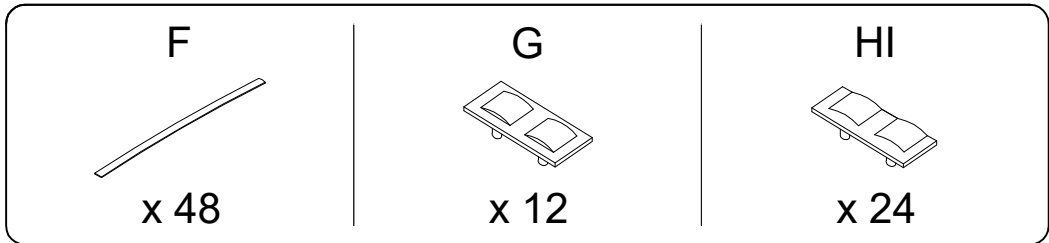
<p>A</p>  <p>x 2</p>	<p>B</p>  <p>x 2</p>	<p>D</p>  <p>x 4</p>	<p>E</p>  <p>x 4</p>
<p>I</p>  <p>x 16</p>	<p>J</p>  <p>M8 x 40</p> <p>x 16</p>	<p>K</p>  <p>x 1</p>	<p>L</p>  <p>x 1</p>



2



3



4

