
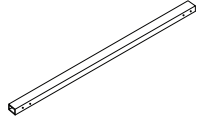
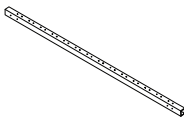
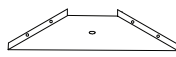

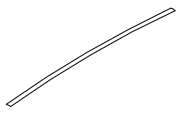
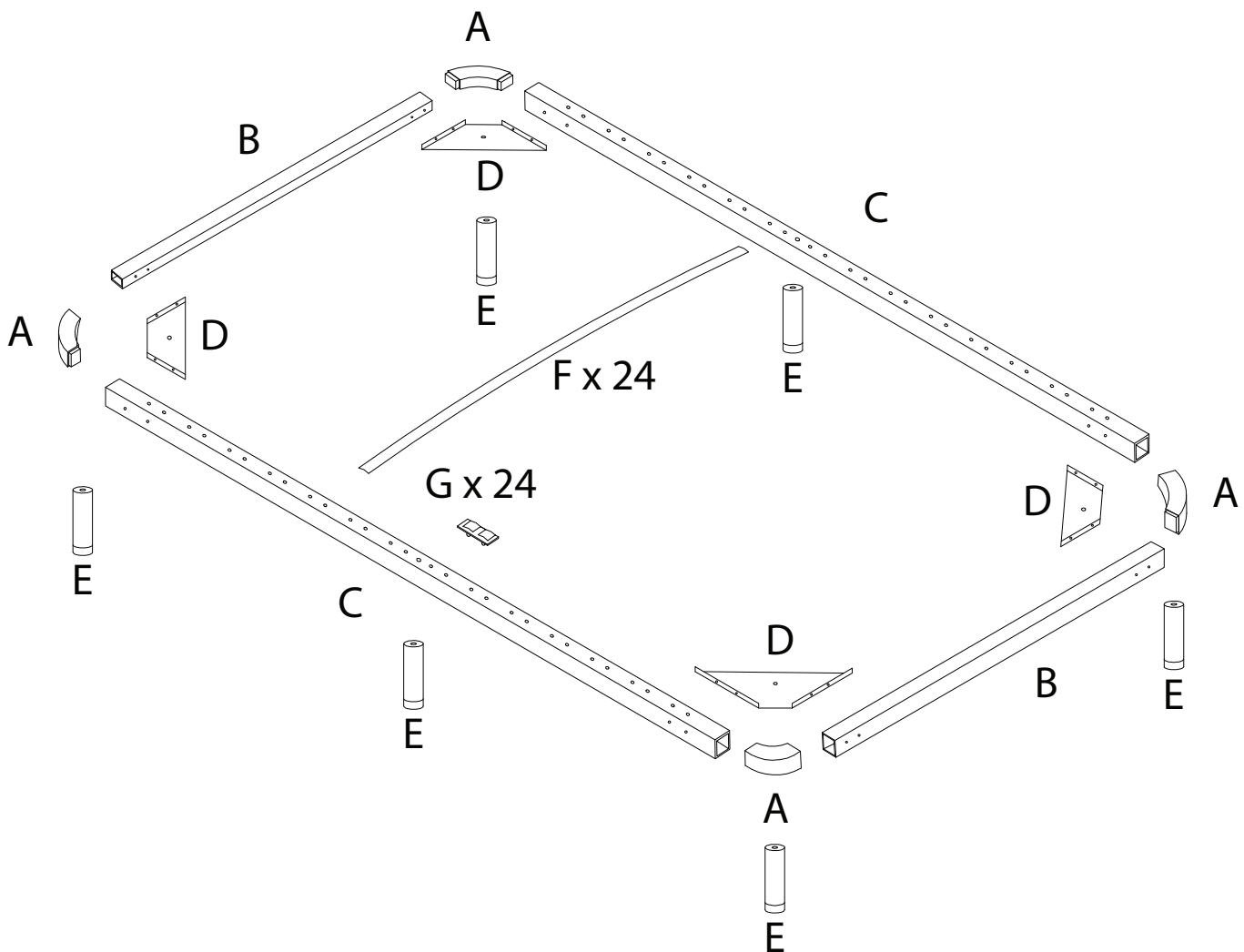


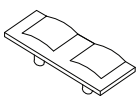
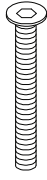
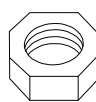
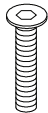
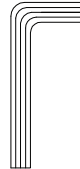
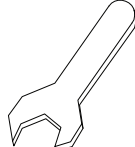
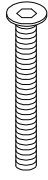
Assembly instructions for step 1/5:

- Tools:** An icon in a circle shows an Allen key and a wrench. A power drill icon is crossed out with a diagonal line, indicating it should not be used.
- Warning:** A triangle with an exclamation mark.
- Time:** A clock icon with the text "30'" below it, indicating an estimated assembly time of 30 minutes.
- Personnel:** An icon of a person with the number "2" below it, indicating that two people are required for assembly.
- Diagram:** An icon in a circle shows a rectangular block being placed on a slatted surface. A second diagram shows the block being pushed down onto the slats, with a diagonal line through it, indicating that the block should not be pushed down.


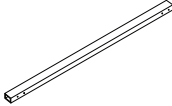
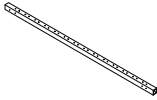
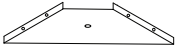
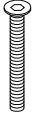
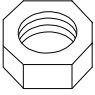


1/5

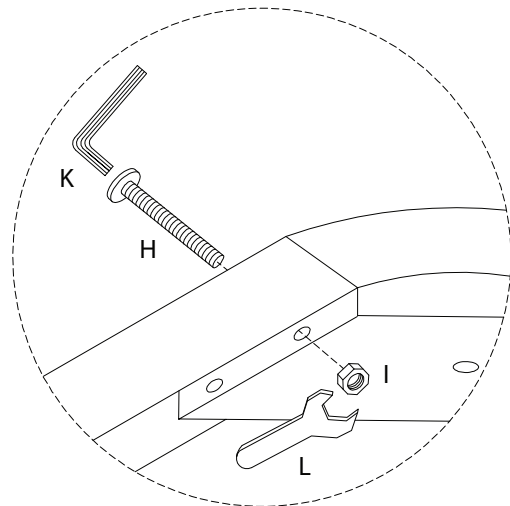
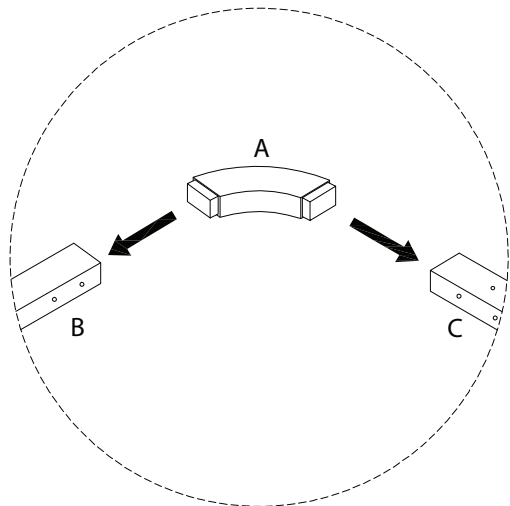
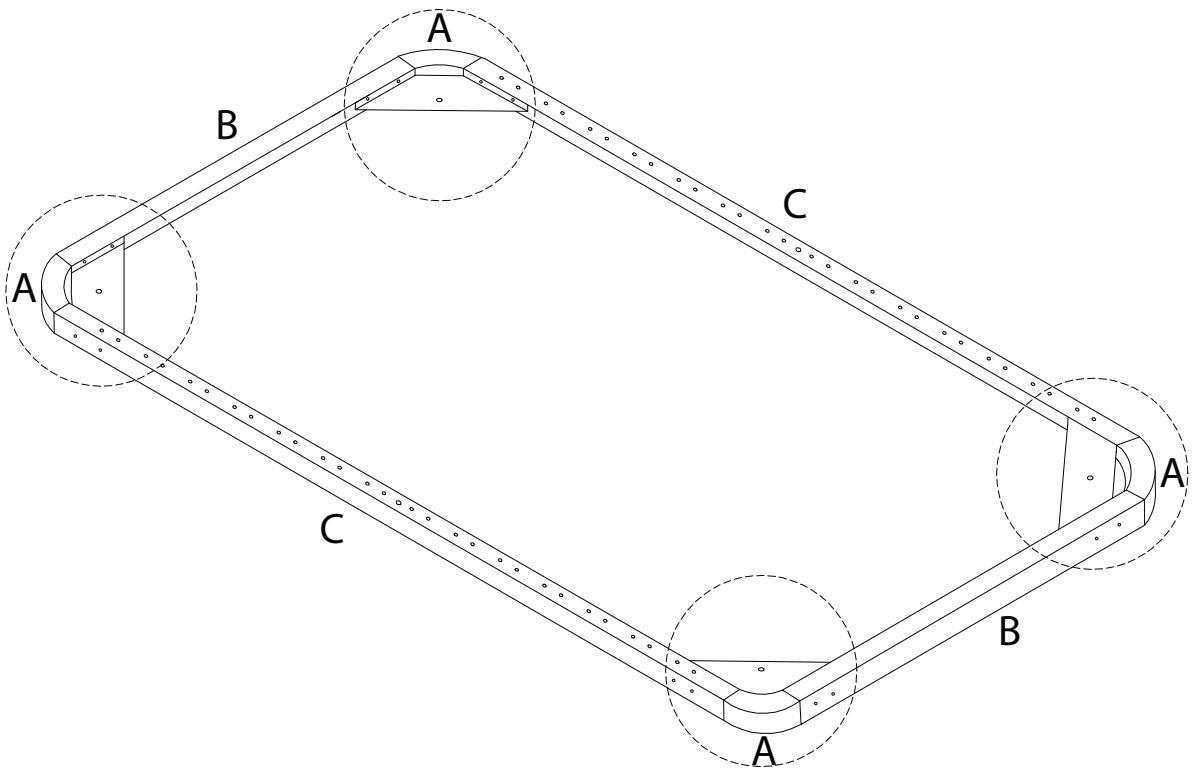
<b>A</b>	<b>B</b>	<b>C</b>	<b>D</b>	<b>E</b>	<b>F</b>
					
<b>x 4</b>	<b>x 2</b>	<b>x 2</b>	<b>x 4</b>	<b>x 6</b>	<b>x 24</b>



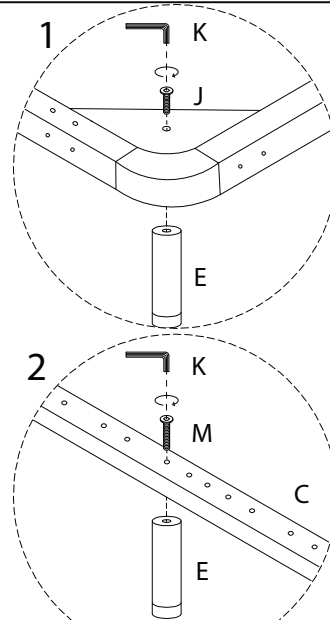
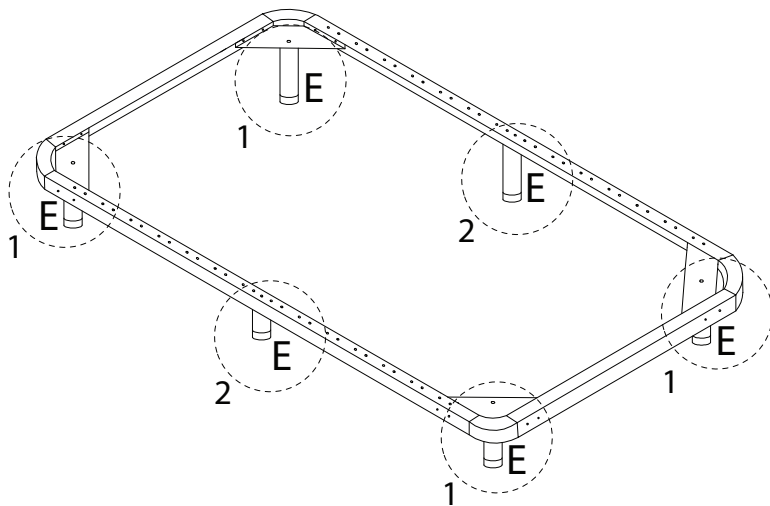
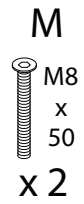
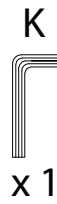
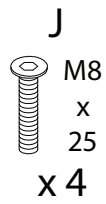
<b>G</b>	<b>H</b>	<b>I</b>	<b>J</b>	<b>K</b>	<b>L</b>	<b>M</b>
	 M8 x 40		 M8 x 25			 M8 x 50
<b>x 24</b>	<b>x 16</b>	<b>x 16</b>	<b>x 4</b>	<b>x 1</b>	<b>x 1</b>	<b>x 2</b>

1

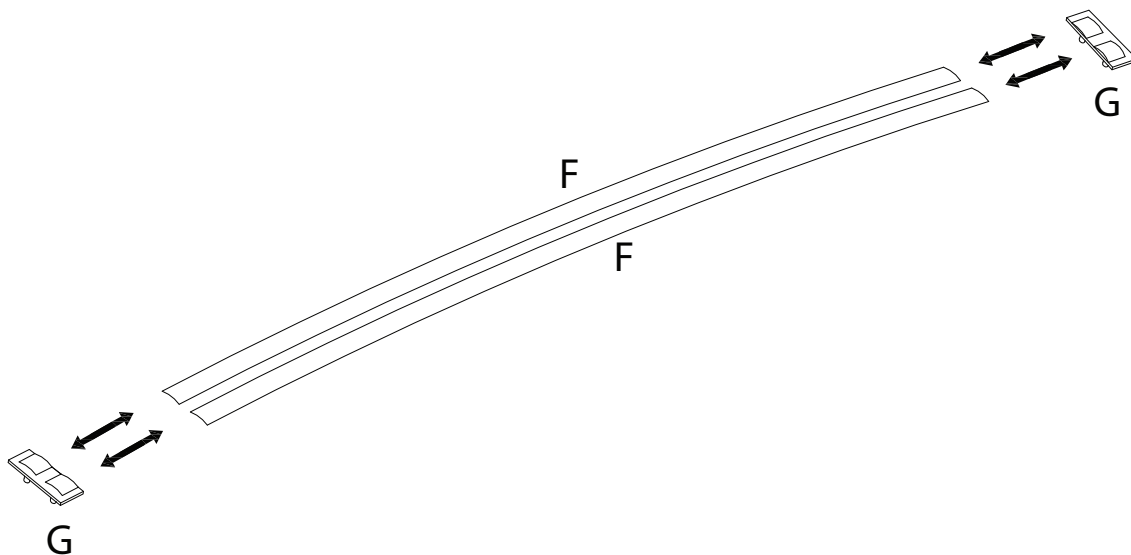
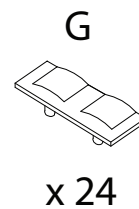
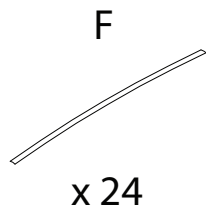
 x 4	 x 2	 x 2	 x 4
 M8 x 40 x 16	 x 16	 x 1	 x 1



2



3



4

