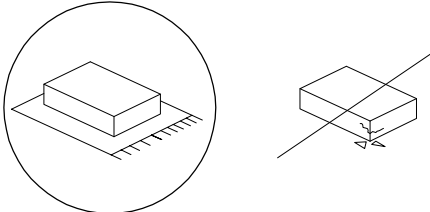
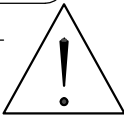
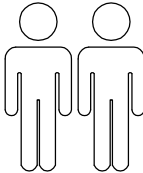
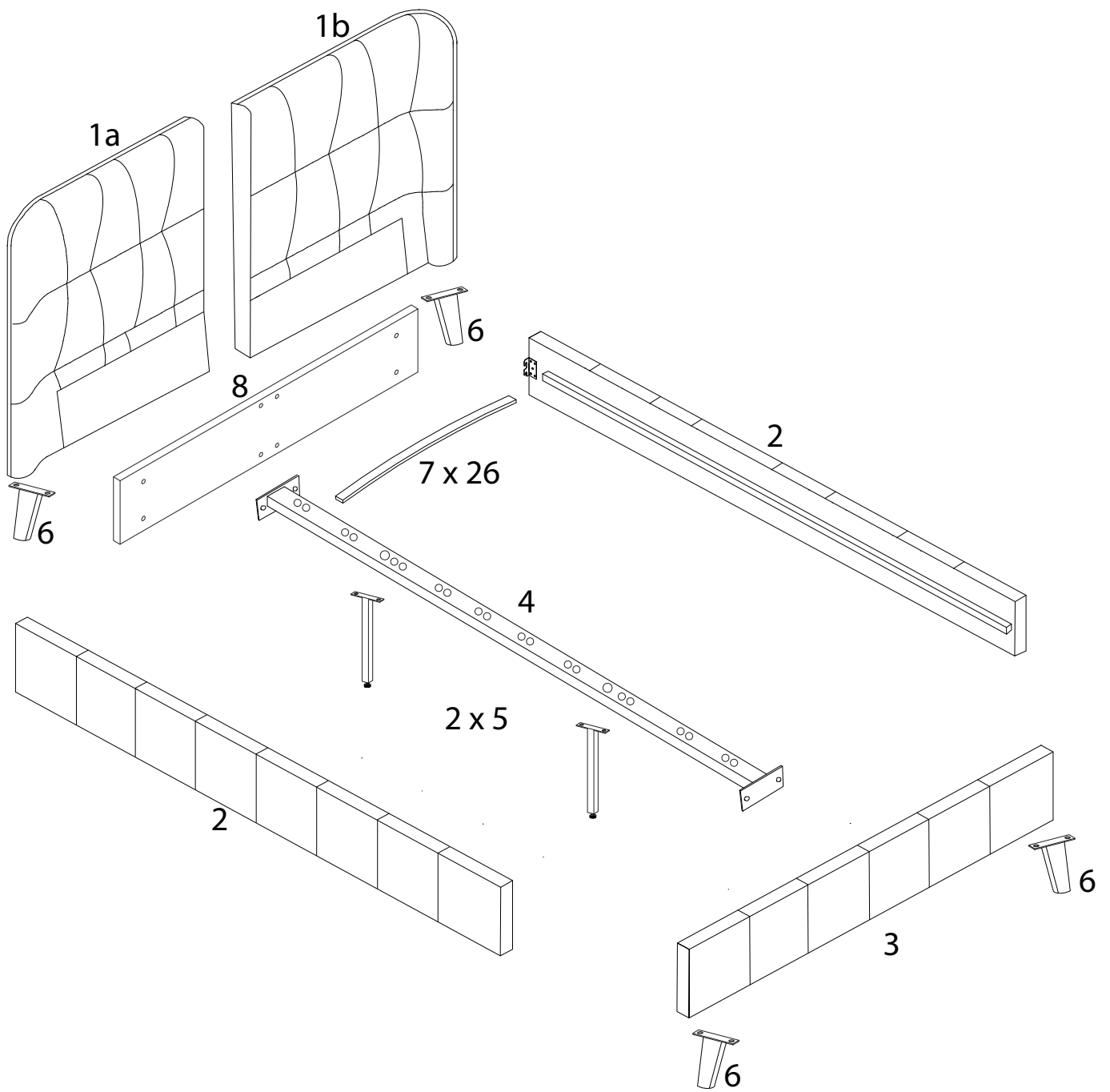
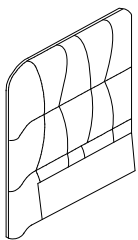
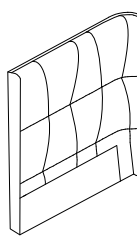
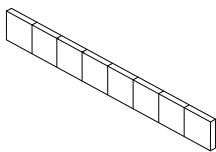
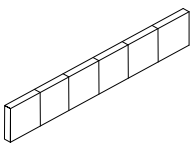
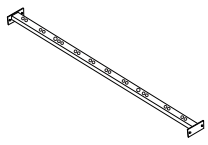
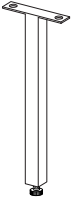
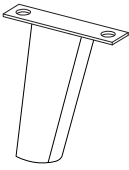
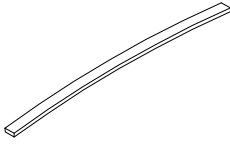
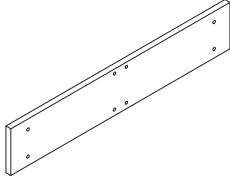
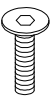
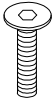
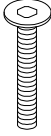
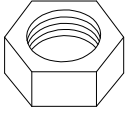
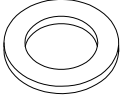


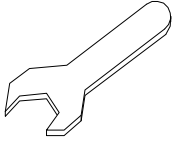
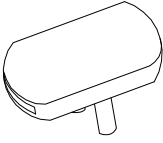
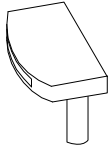
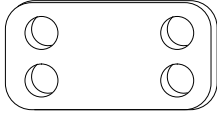

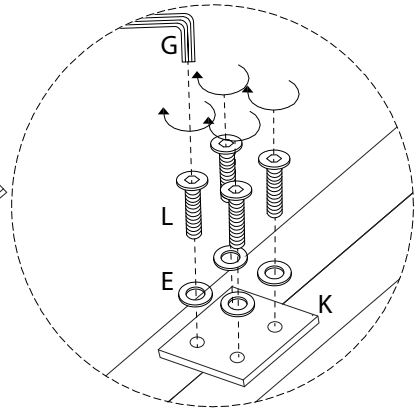
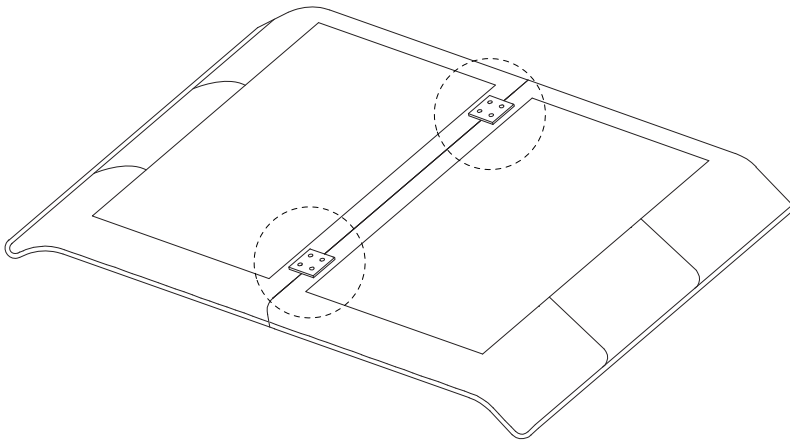
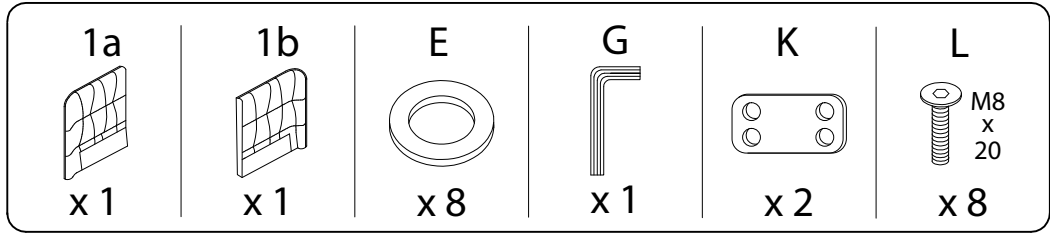

		45'
		
		2



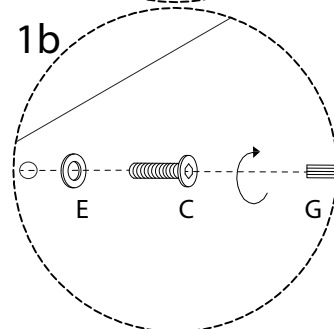
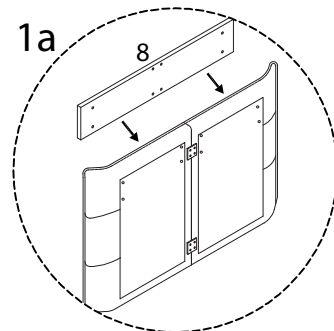
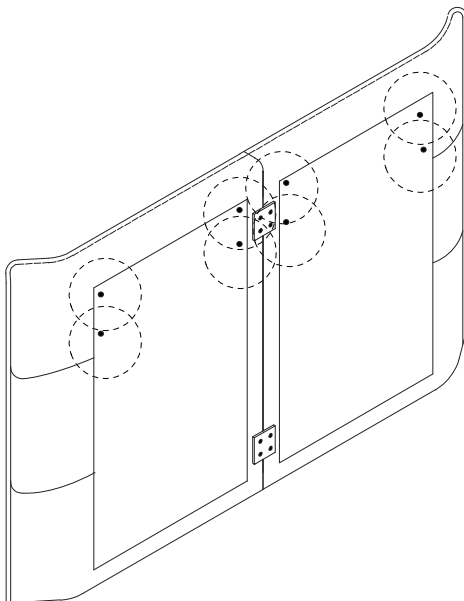
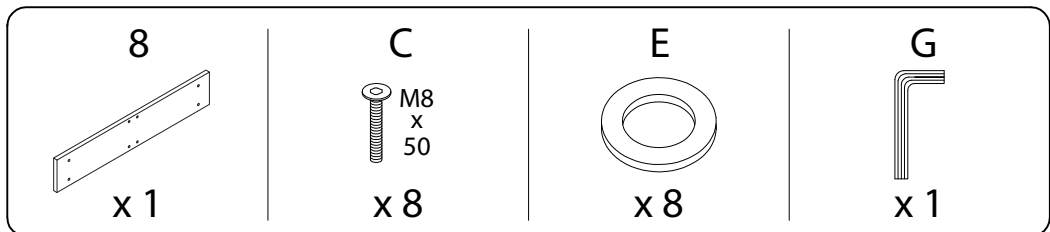
<p>1a</p>  <p>x 1</p>	<p>1b</p>  <p>x 1</p>	<p>2</p>  <p>x 2</p>	<p>3</p>  <p>x 1</p>	<p>4</p>  <p>x 1</p>
----------------------------------------------------------------------------------------------------------	----------------------------------------------------------------------------------------------------------	---------------------------------------------------------------------------------------------------------	----------------------------------------------------------------------------------------------------------	-----------------------------------------------------------------------------------------------------------

<p>5</p>  <p>x 2</p>	<p>6</p>  <p>x 4</p>	<p>7</p>  <p>x 26</p>	<p>8</p>  <p>x 1</p>
<p>A</p>  <p>M8 x 25</p> <p>x 20</p>	<p>B</p>  <p>M8 x 35</p> <p>x 4</p>	<p>C</p>  <p>M8 x 50</p> <p>x 8</p>	<p>D</p>  <p>x 4</p>
<p>E</p>  <p>x 32</p>	<p>F</p>  <p>x 16</p>	<p>G</p>  <p>x 1</p>	<p>H</p>  <p>x 1</p>
<p>I</p>  <p>x 13</p>	<p>J</p>  <p>x 26</p>	<p>K</p>  <p>x 2</p>	<p>L</p>  <p>M8 x 20</p> <p>x 8</p>

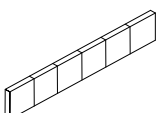


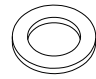
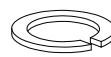
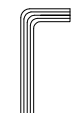
1

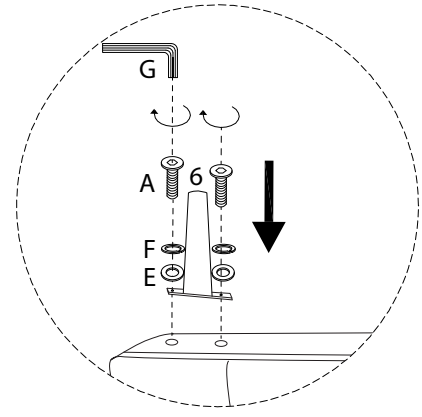
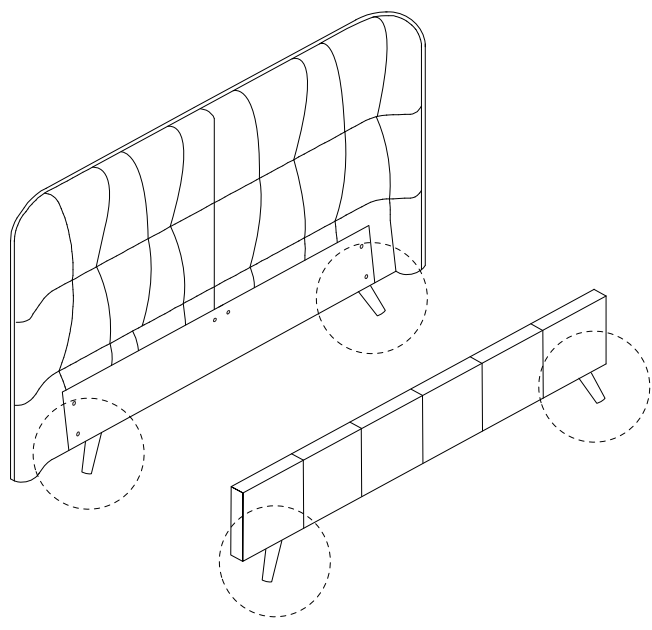


2

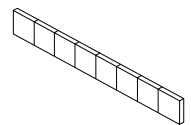

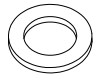
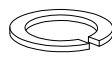
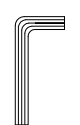


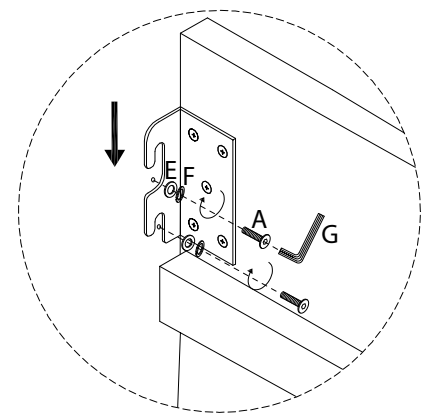
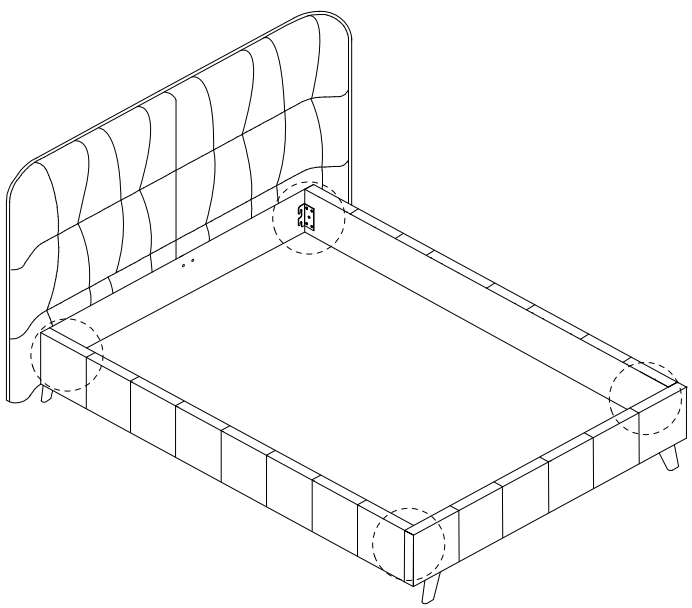
3

<p>3</p>  <p>x 1</p>	<p>6</p>  <p>x 4</p>	<p>A</p>  <p>M8 x 25</p> <p>x 8</p>	<p>E</p>  <p>x 8</p>	<p>F</p>  <p>x 8</p>	<p>G</p>  <p>x 1</p>
-------------------------------------------------------------------------------------------------------	-------------------------------------------------------------------------------------------------------	------------------------------------------------------------------------------------------------------------------------------	--------------------------------------------------------------------------------------------------------	---------------------------------------------------------------------------------------------------------	---------------------------------------------------------------------------------------------------------

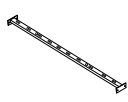

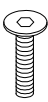
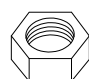
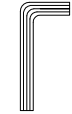
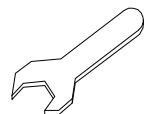


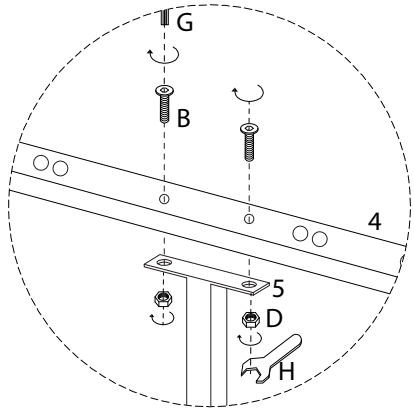
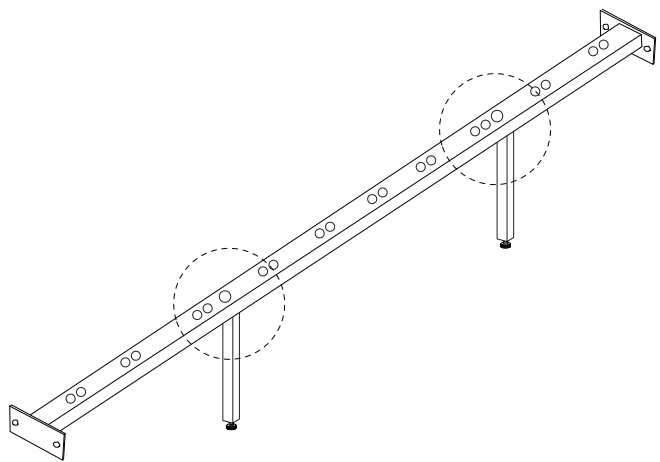
4

<p>2</p>  <p>x 2</p>	<p>A</p>  <p>M8 x 25</p> <p>x 8</p>	<p>E</p>  <p>x 8</p>	<p>F</p>  <p>x 8</p>	<p>G</p>  <p>x 1</p>
---------------------------------------------------------------------------------------------------------	--------------------------------------------------------------------------------------------------------------------------------	---------------------------------------------------------------------------------------------------------	-----------------------------------------------------------------------------------------------------------	-----------------------------------------------------------------------------------------------------------


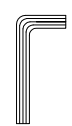


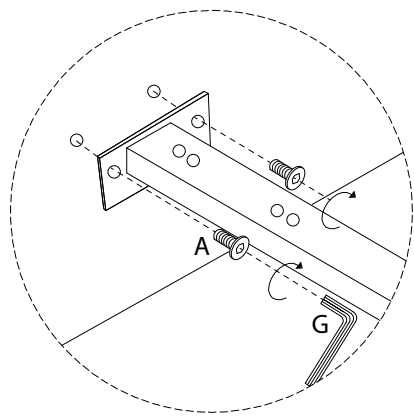
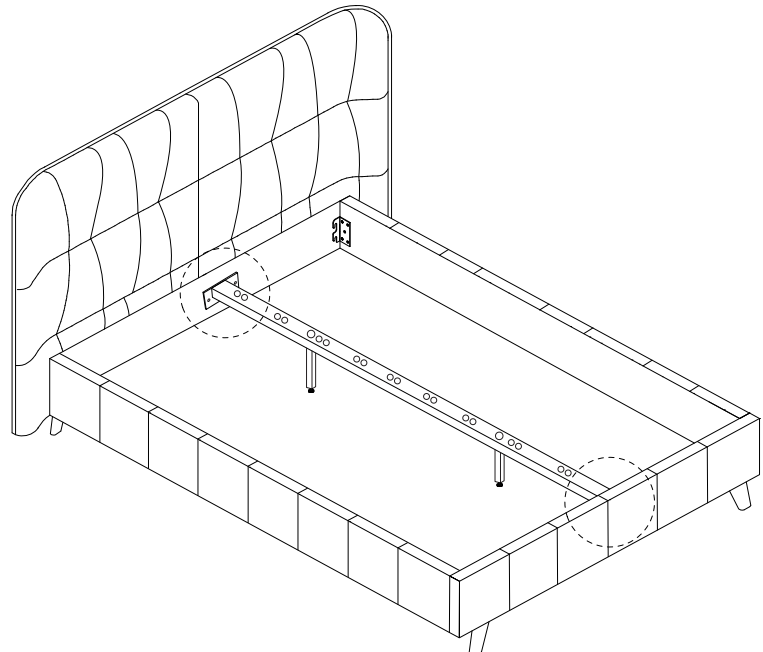
5

<p>4</p>  <p>x 1</p>	<p>5</p>  <p>x 2</p>	<p>B</p>  <p>M8 x 35</p> <p>x 4</p>	<p>D</p>  <p>x 4</p>	<p>G</p>  <p>x 1</p>	<p>H</p>  <p>x 1</p>
-------------------------------------------------------------------------------------------------------	-------------------------------------------------------------------------------------------------------	--------------------------------------------------------------------------------------------------------------------------	--------------------------------------------------------------------------------------------------------	---------------------------------------------------------------------------------------------------------	---------------------------------------------------------------------------------------------------------

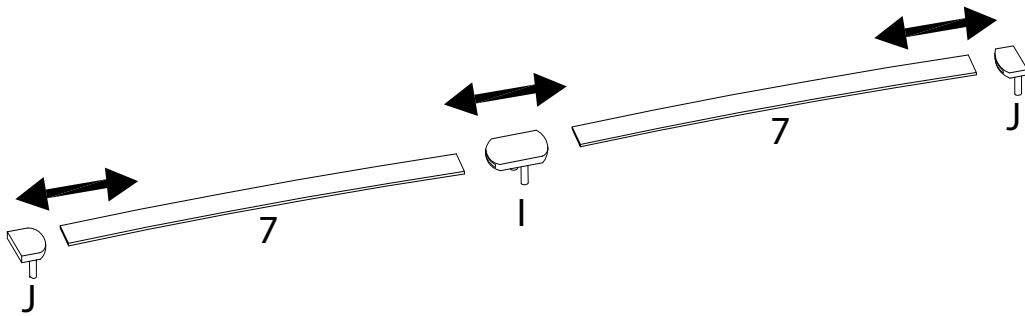
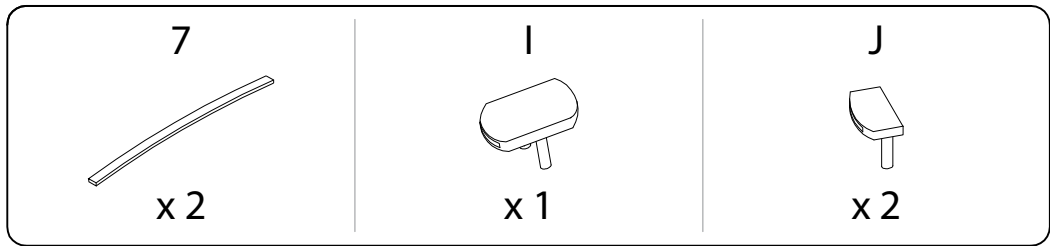


6

<p>A</p>  <p>M8 x 25</p> <p>x 4</p>	<p>G</p>  <p>x 1</p>
----------------------------------------------------------------------------------------------------------------------------	-----------------------------------------------------------------------------------------------------------



7 x 13



8 x 15

