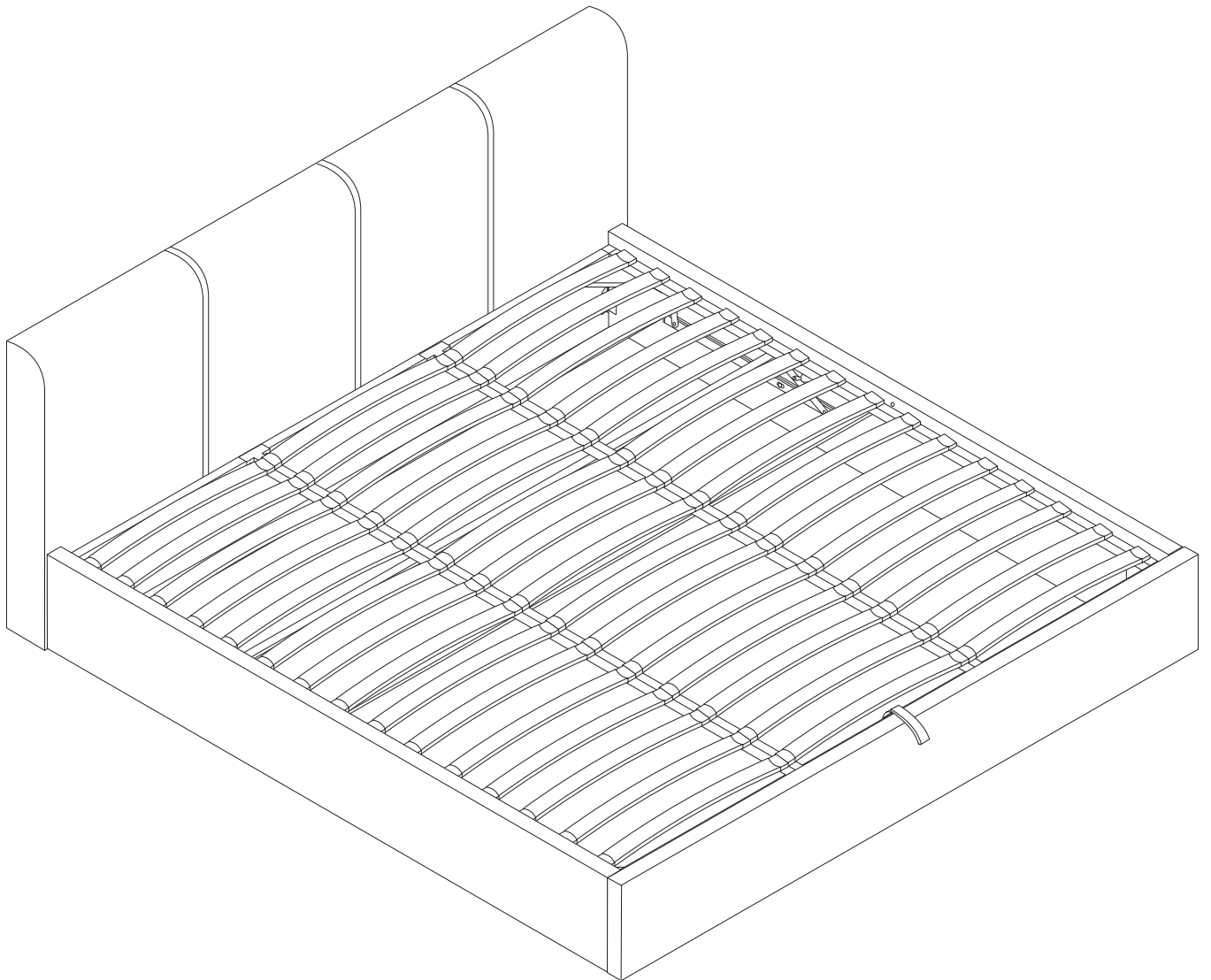
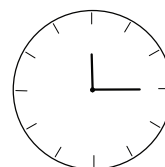
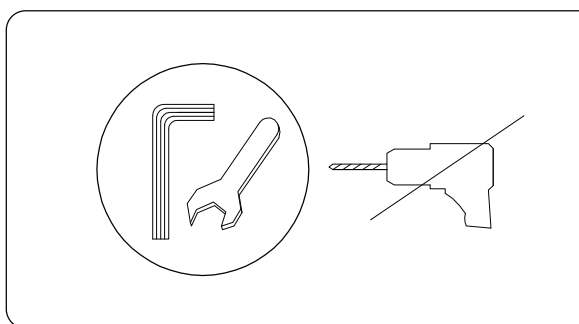
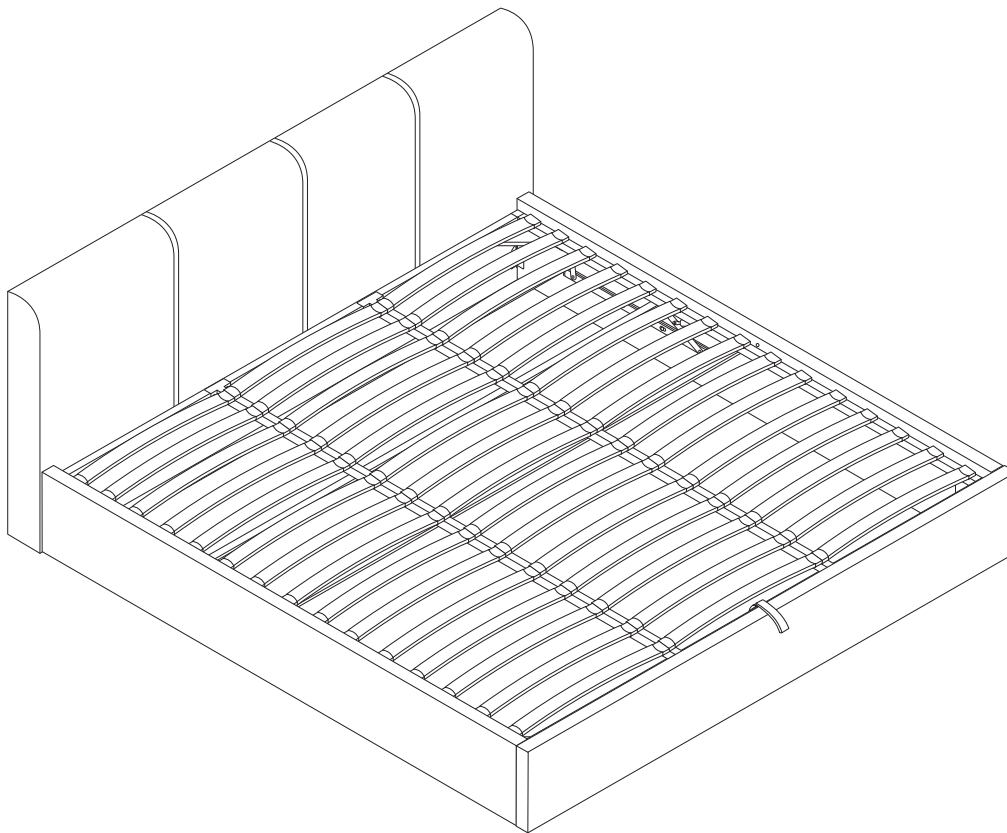
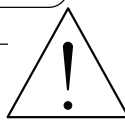
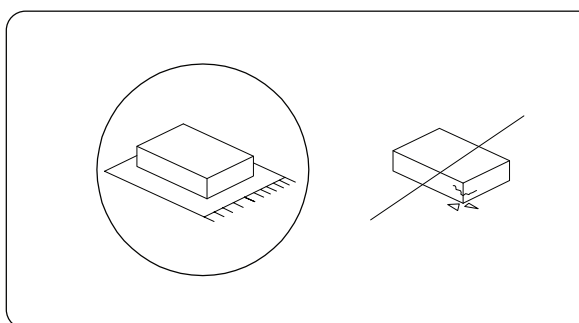


ORBEO

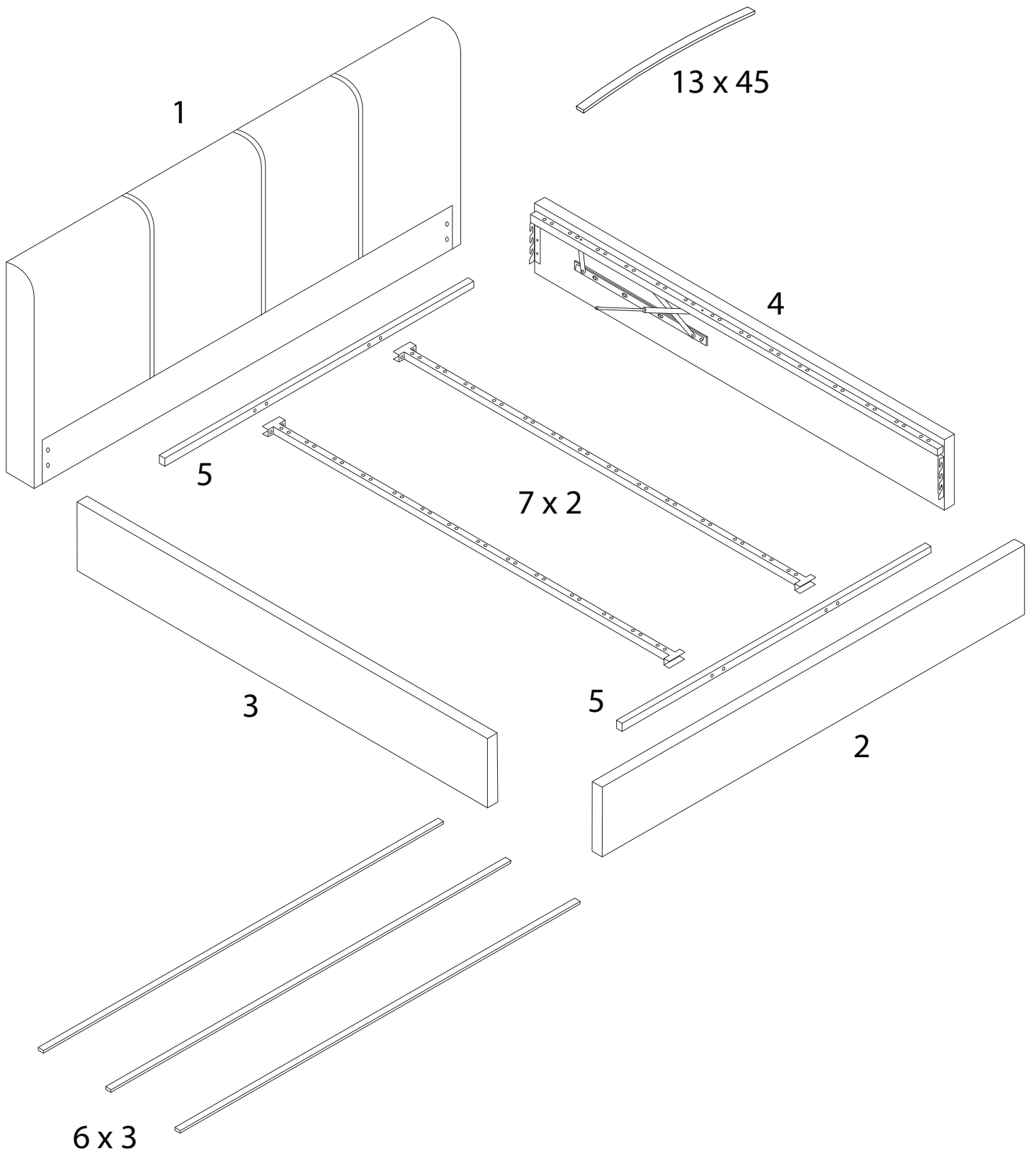


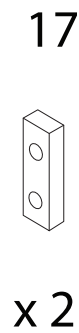
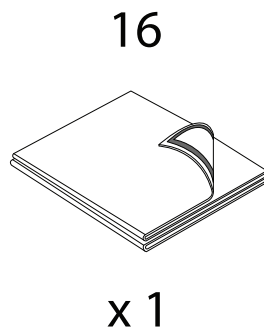
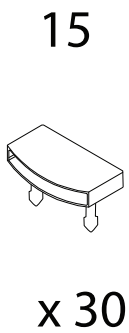
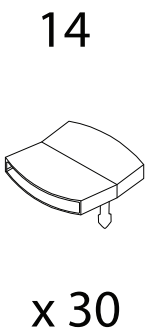
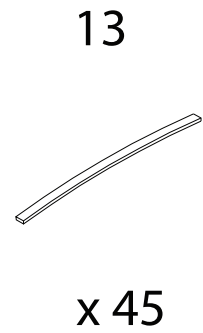
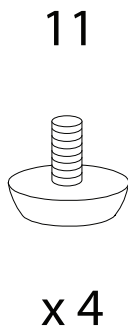
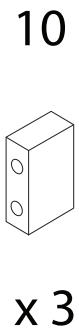
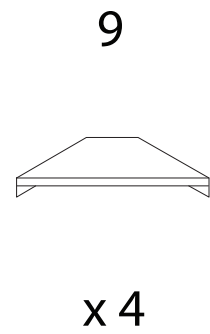
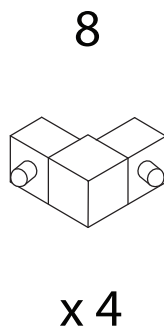
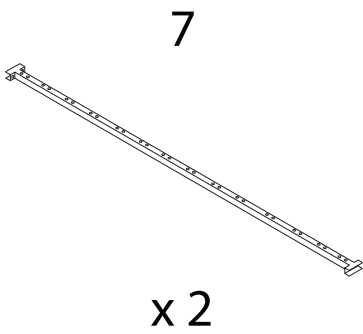
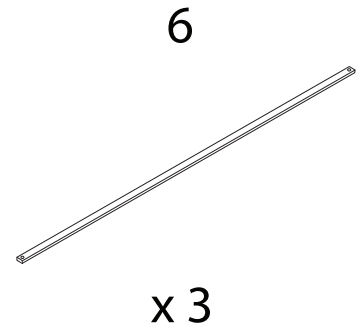
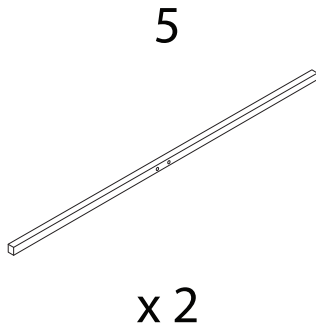
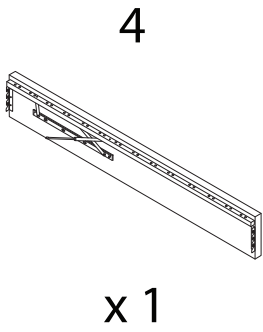
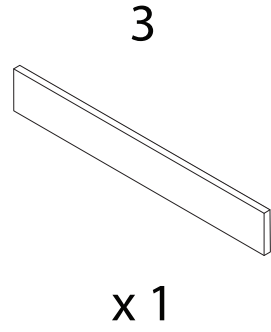
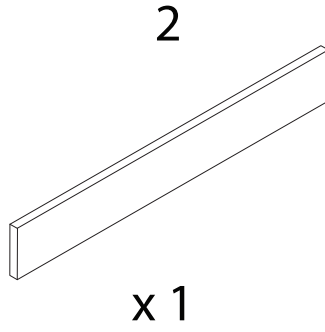
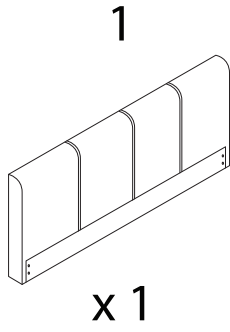


75'

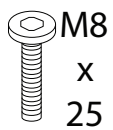


2



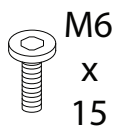


A



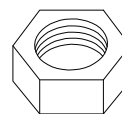
x 12

B



x 16

C



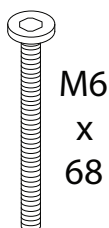
x 2

D



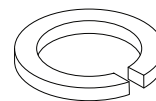
x 6

E



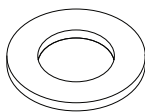
x 6

F



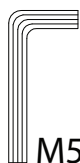
x 12

G



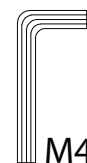
x 12

H



x 1

I



x 2

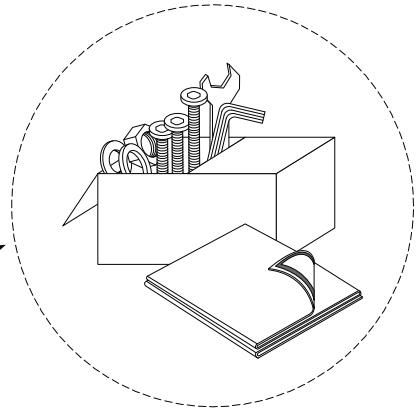
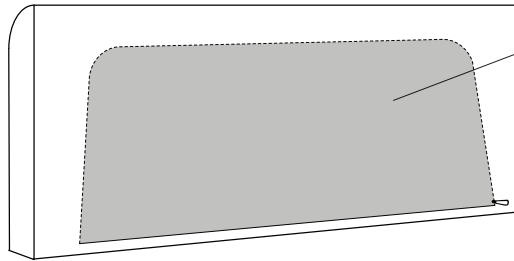
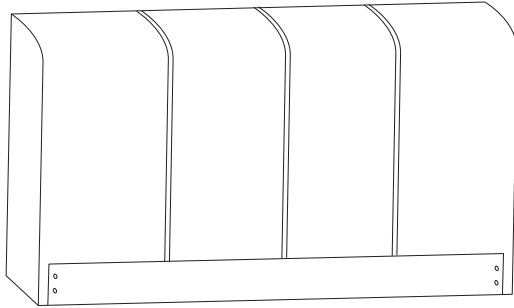
J



x 1

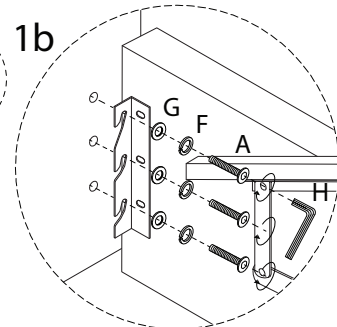
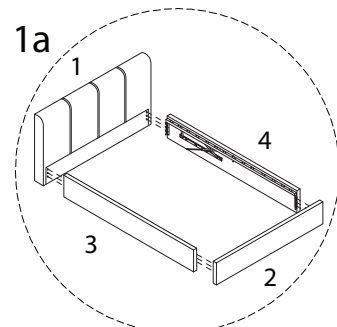
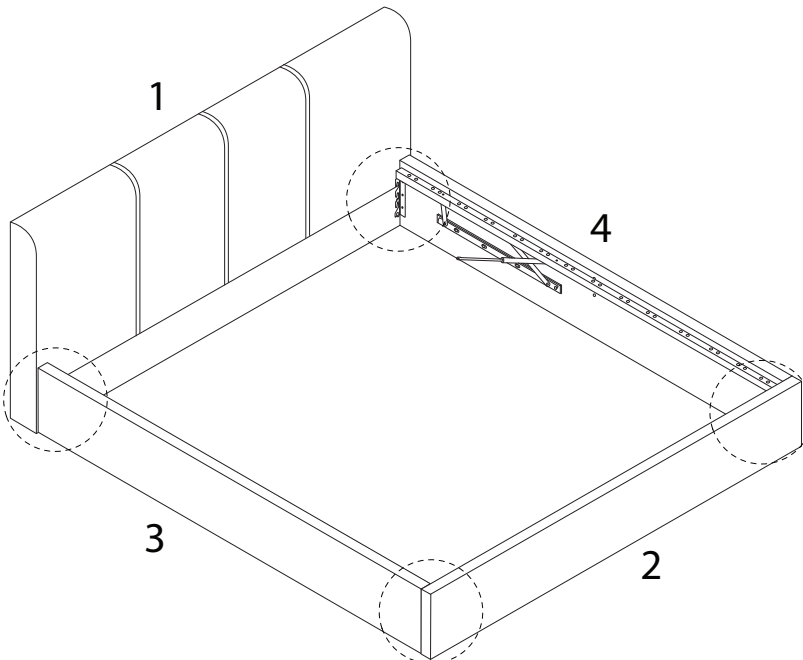
!

1



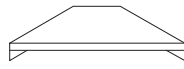
1

1	2	3	4	A	F	G	H
x 1	x 1	x 1	x 1	x 12	x 12	x 12	x 1



2

9



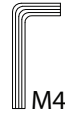
x 4

B

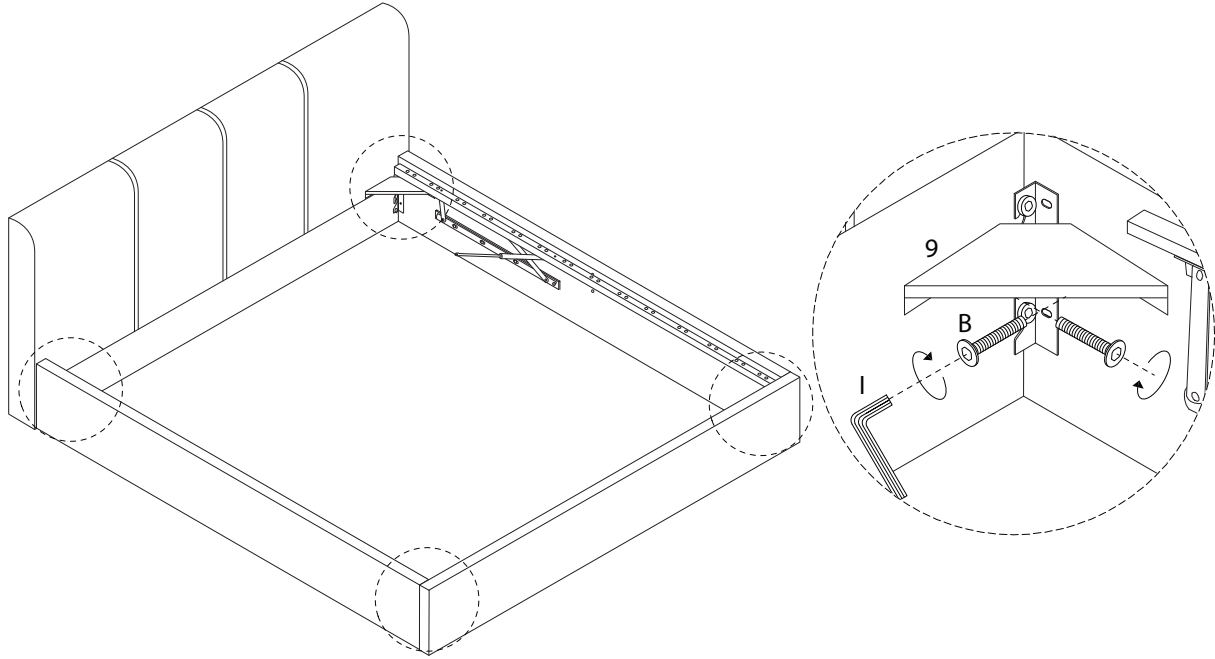


x 8

I



M4
x 1



3

10



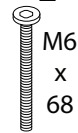
x 2

17



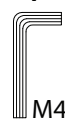
x 2

E

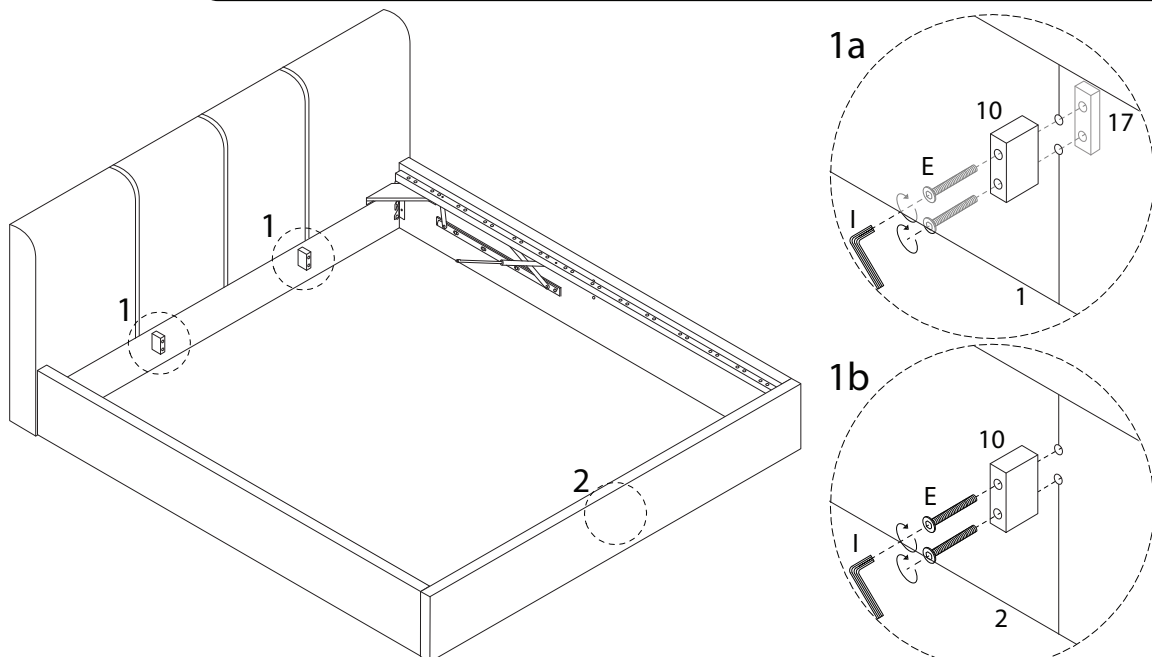


x 6

I



M4
x 1



4

C

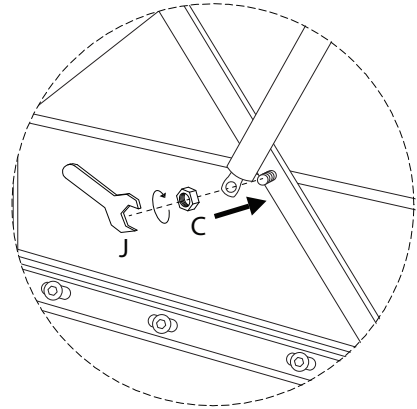
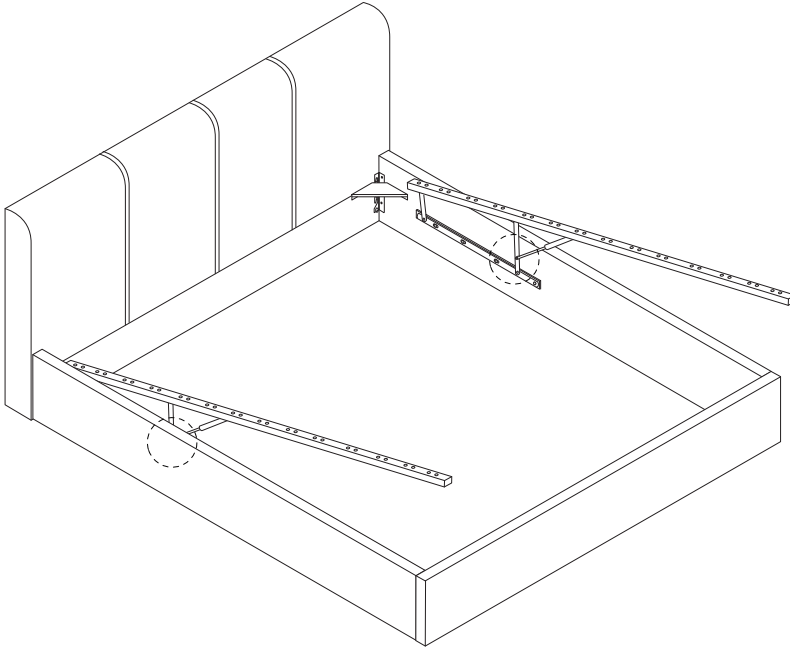


x 2

J

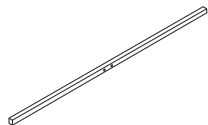


x 1



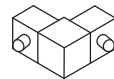
5

5

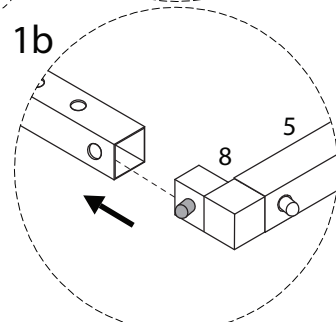
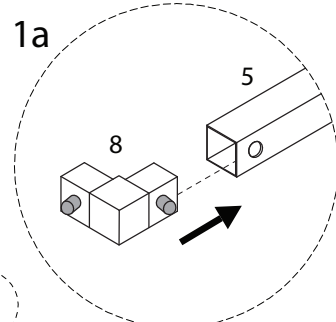
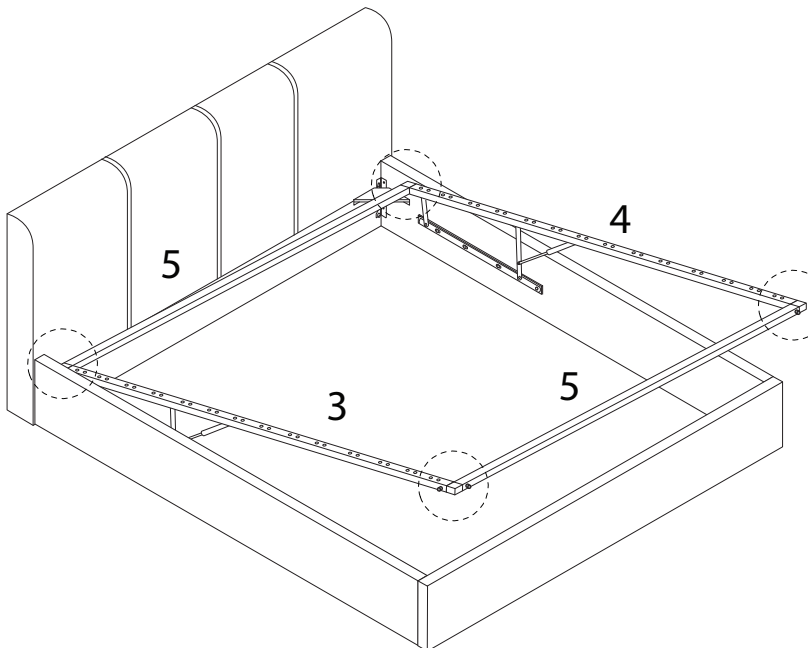


x 2

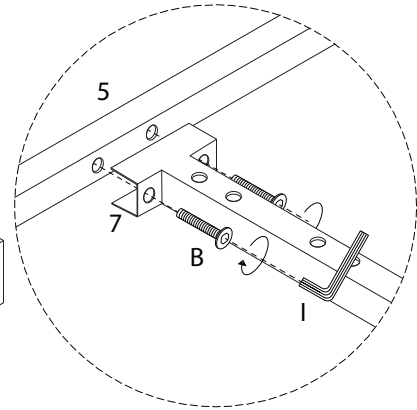
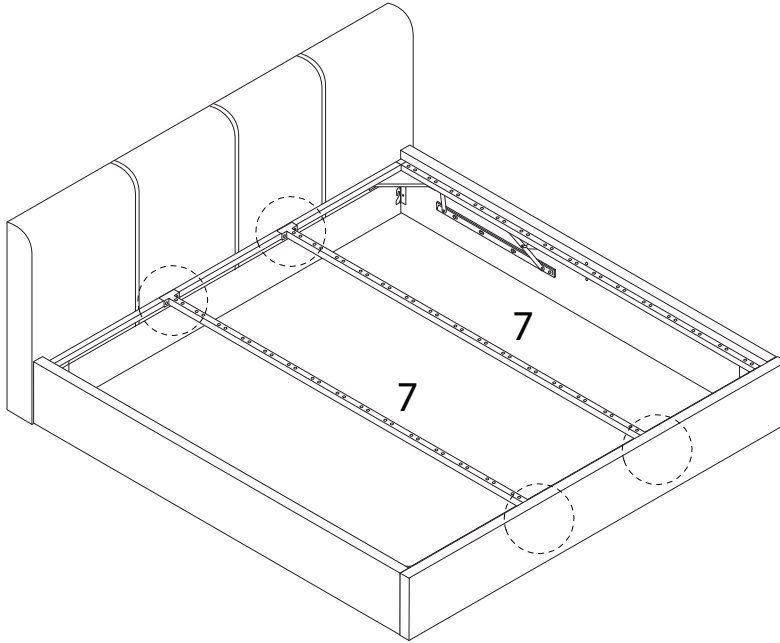
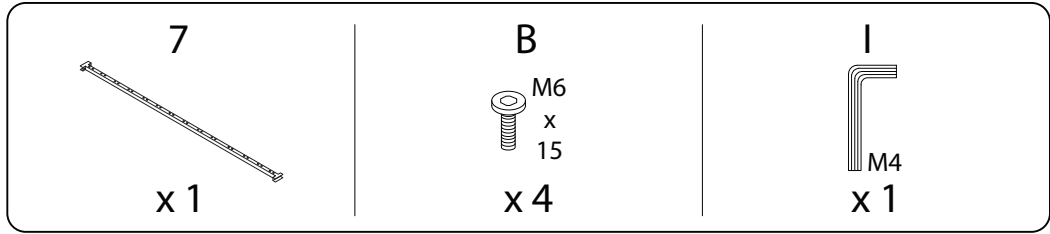
8



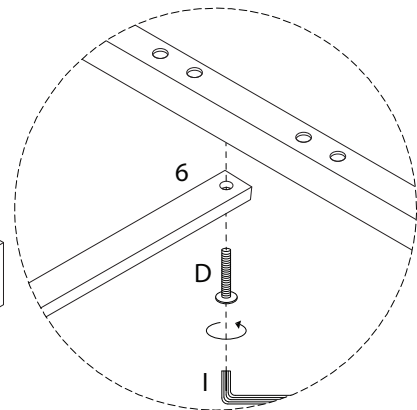
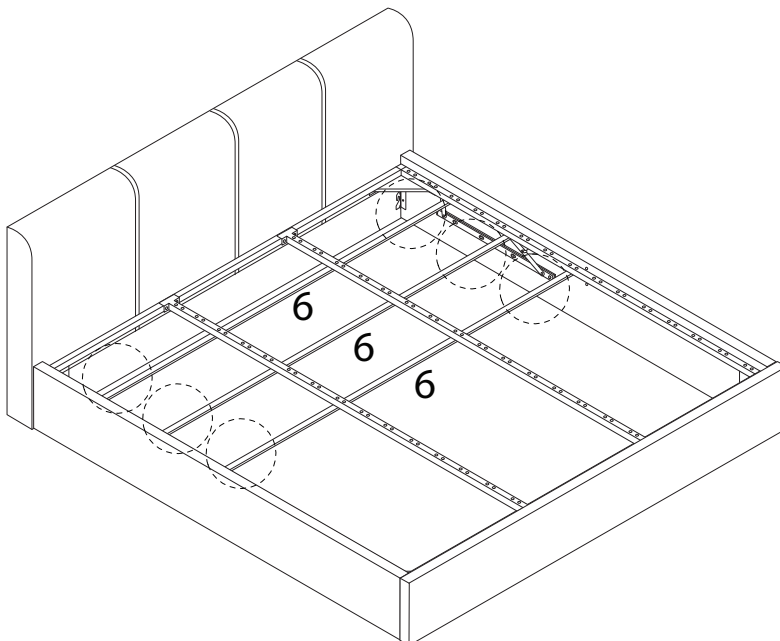
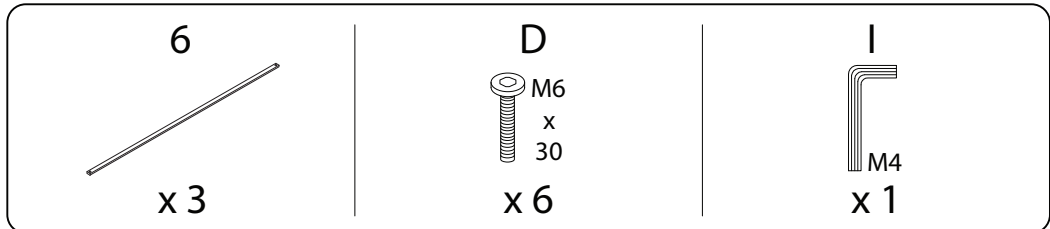
x 4



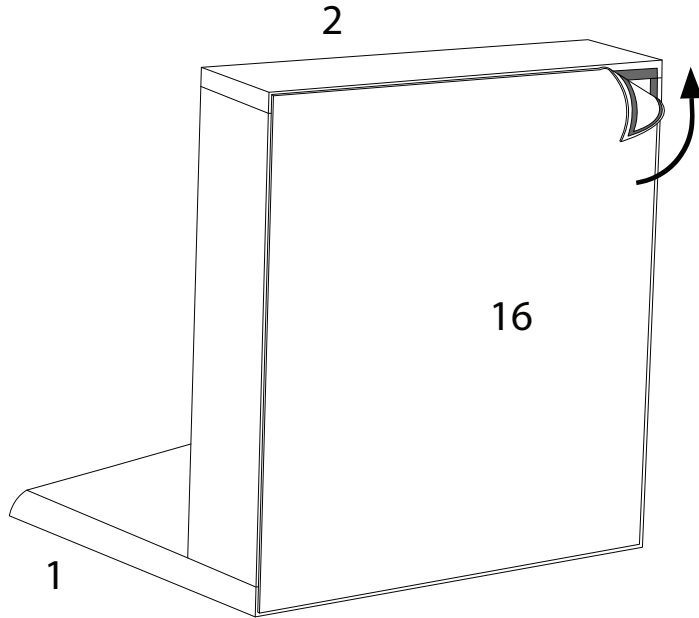
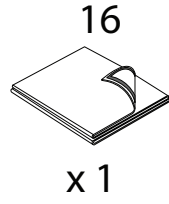
6



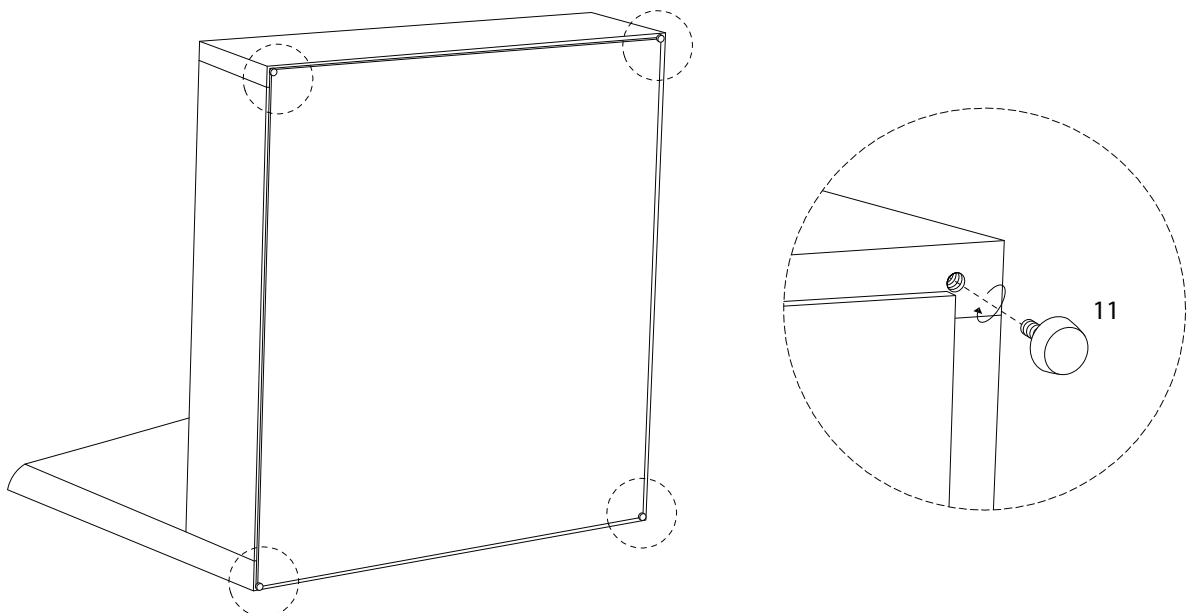
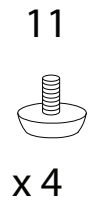
7



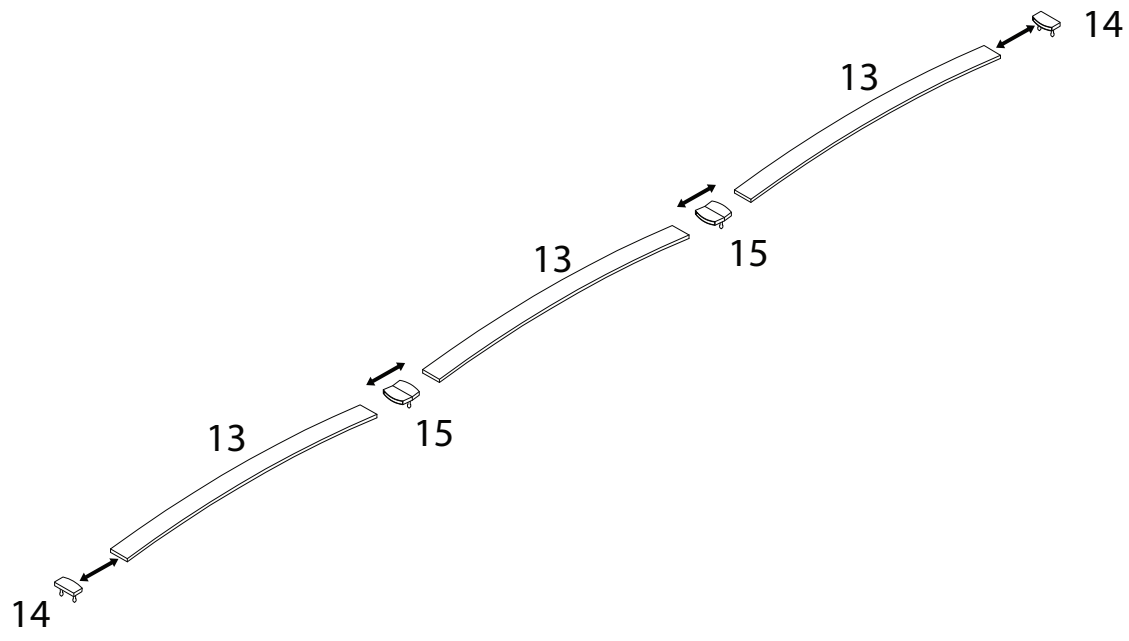
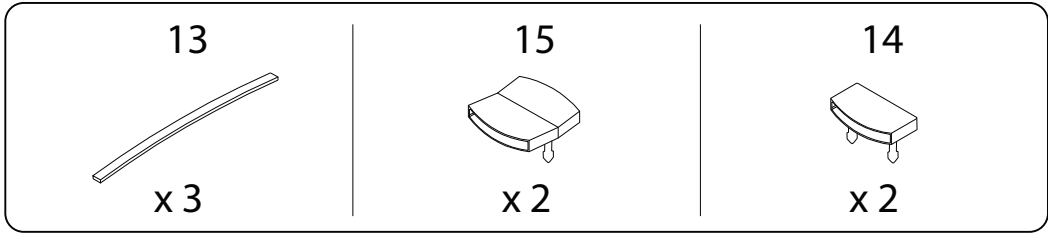
8



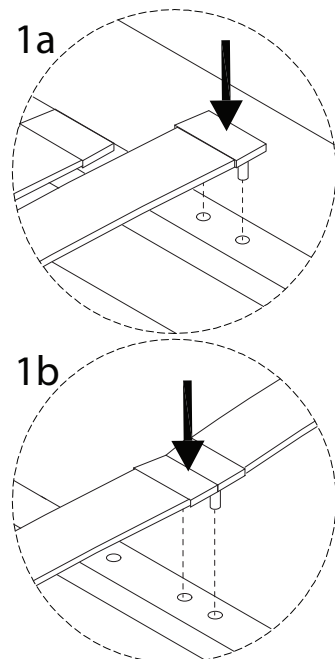
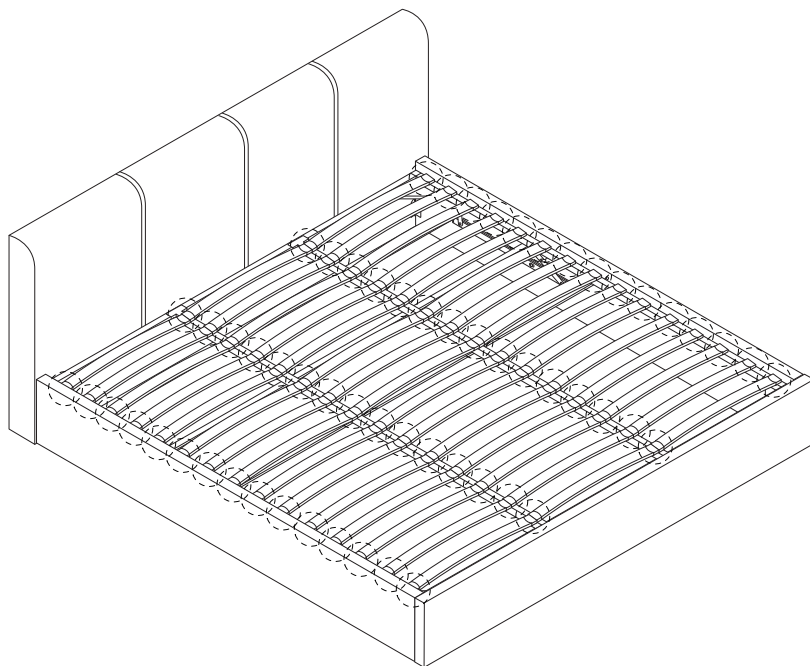
9



10 x 15



11



12

12



x 1

