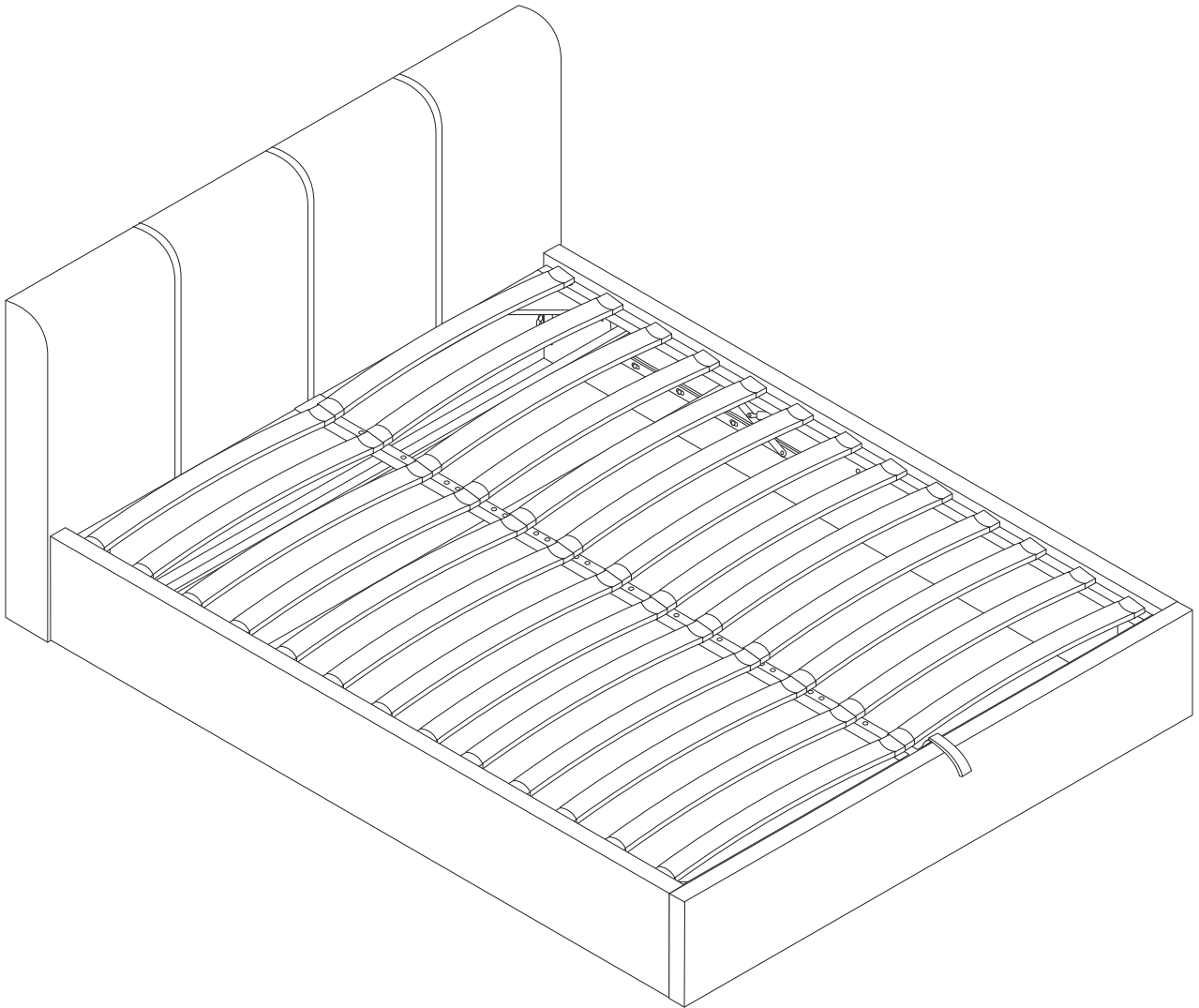
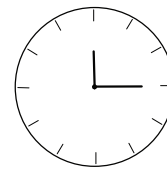
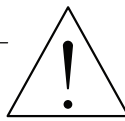
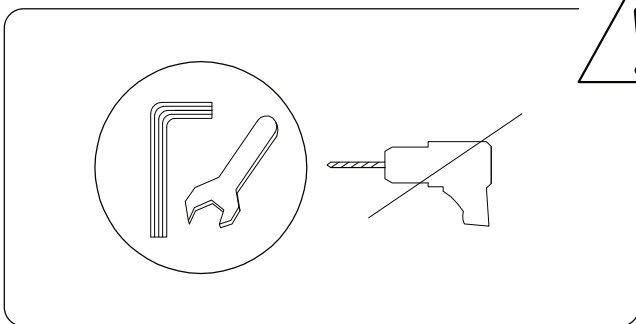
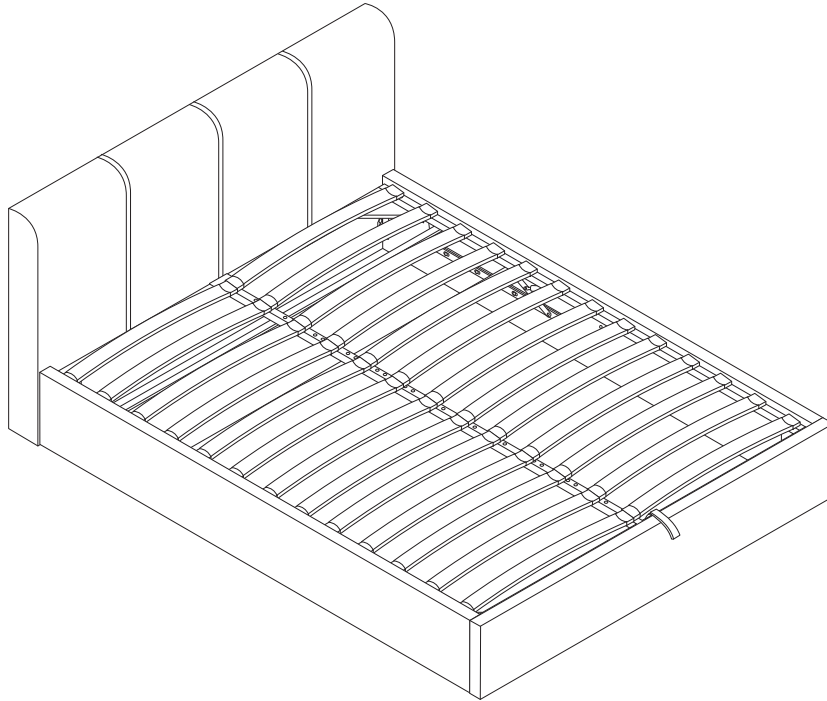
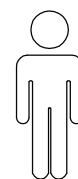
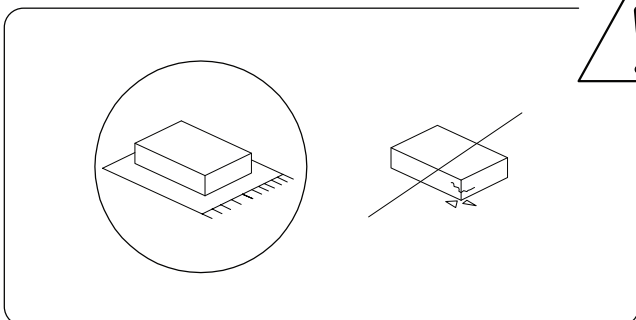


# ORBEO

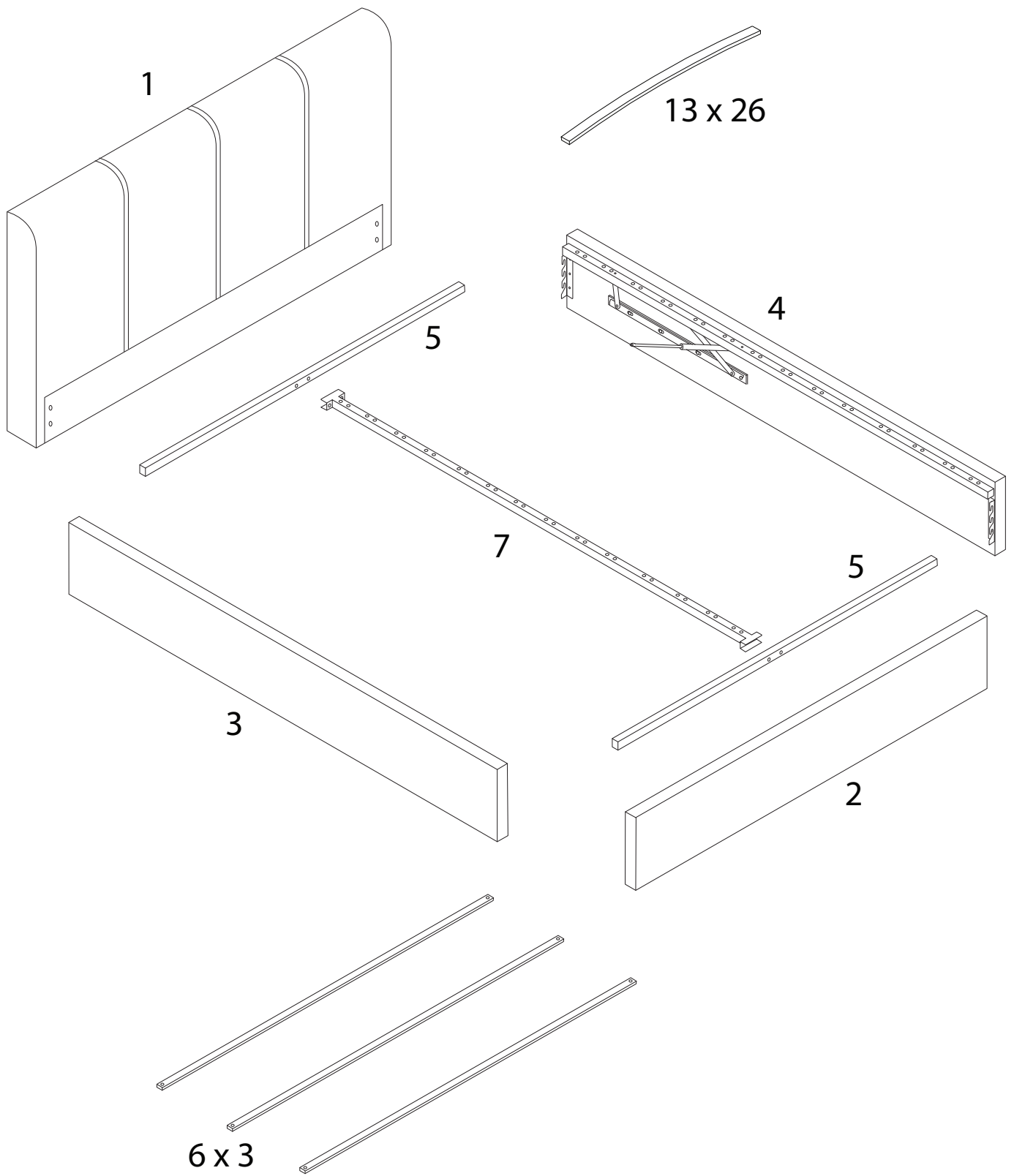


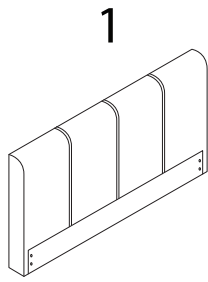


75'

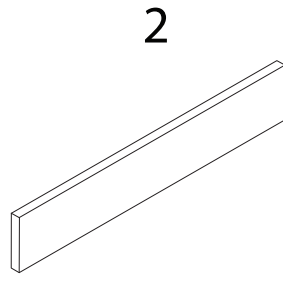


2

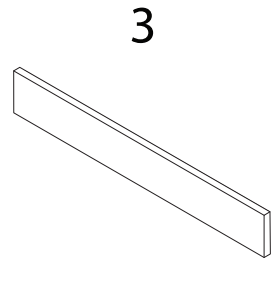




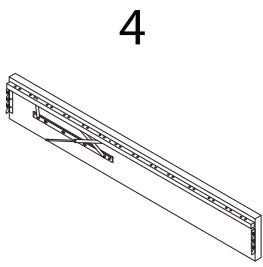
x 1



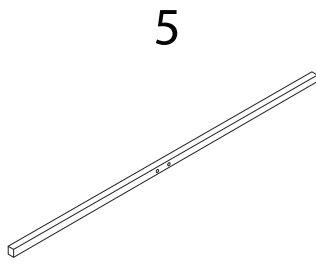
x 1



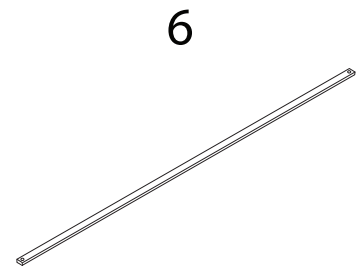
x 1



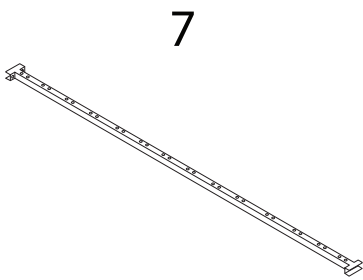
x 1



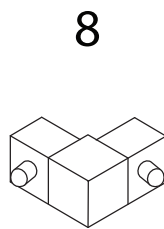
x 2



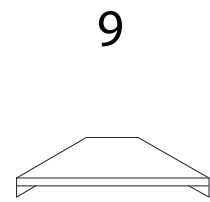
x 3



x 1

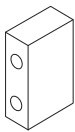


x 4



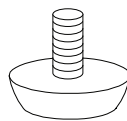
x 4

10



x 1

11



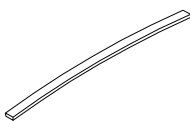
x 4

12



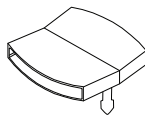
x 1

13



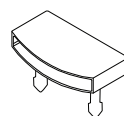
x 26

14



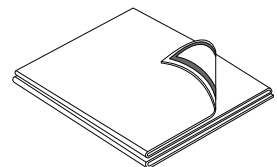
x 13

15



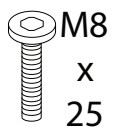
x 26

16



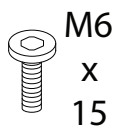
x 1

A



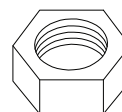
x 12

B



x 12

C



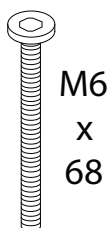
x 2

D



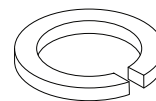
x 6

E



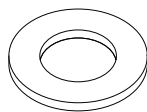
x 2

F



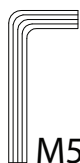
x 12

G



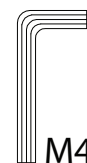
x 12

H



x 1

I



x 2

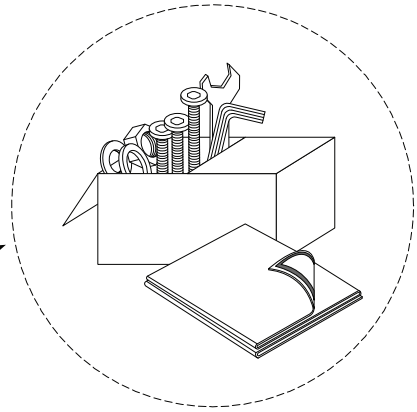
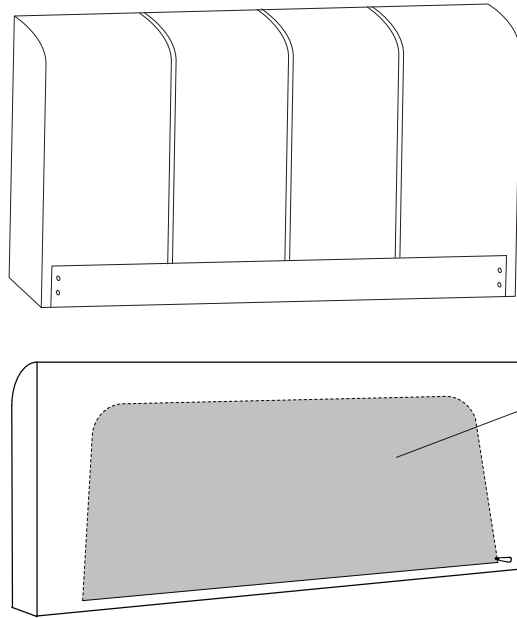
J



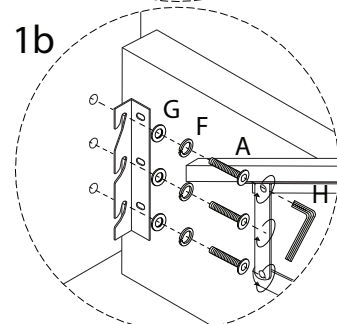
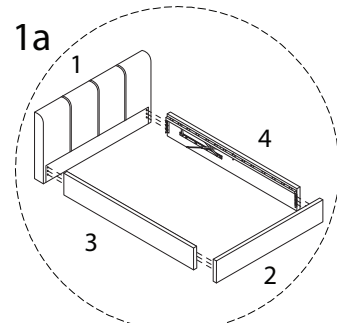
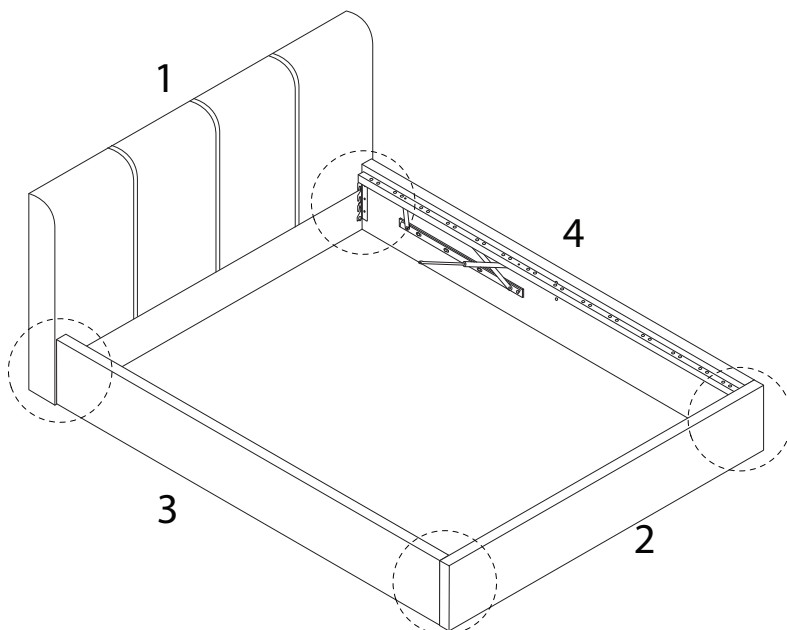
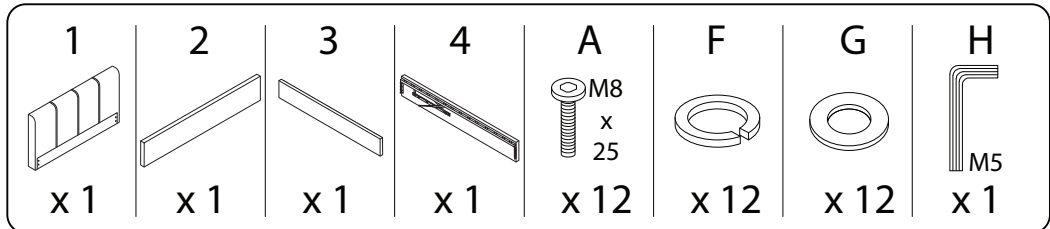
x 1

!

1

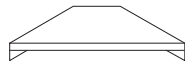


1



2

9



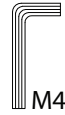
x 4

B

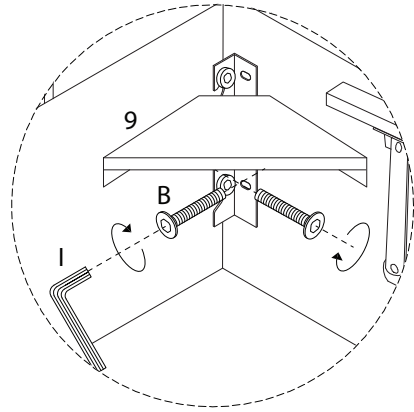
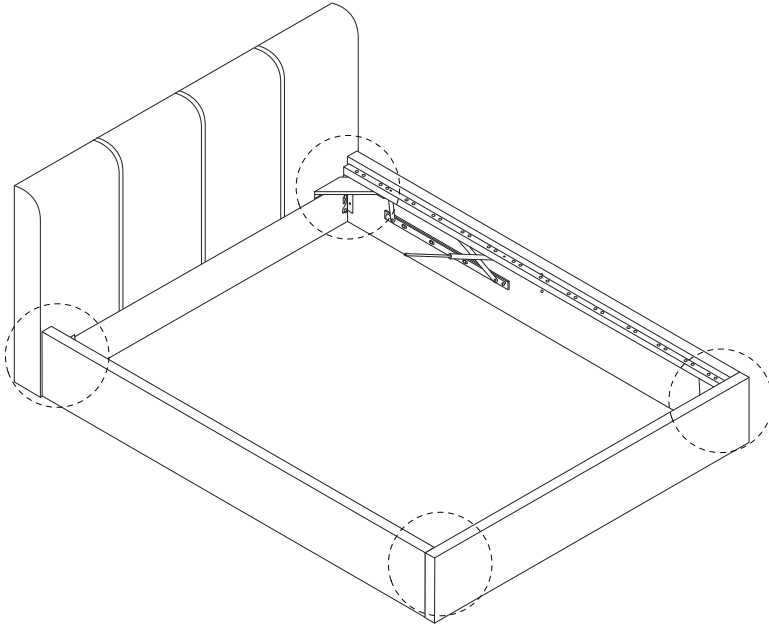


x 8

I



x 1



3

10



x 1

E

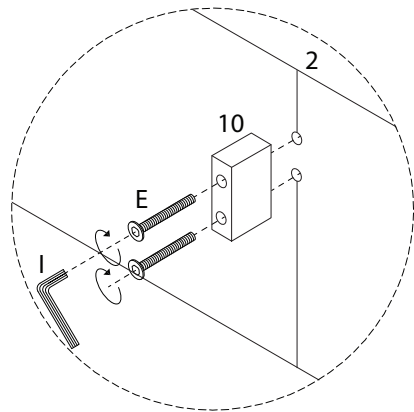
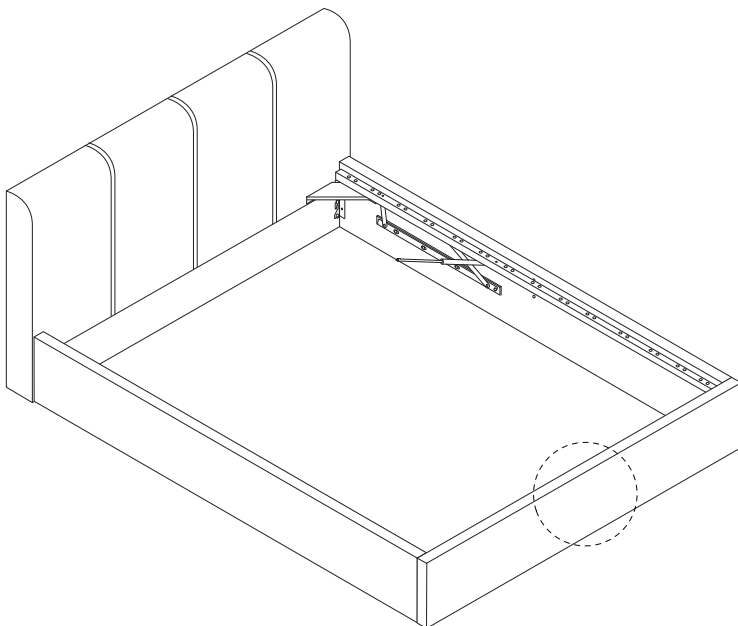


x 2

I



x 1



4

C

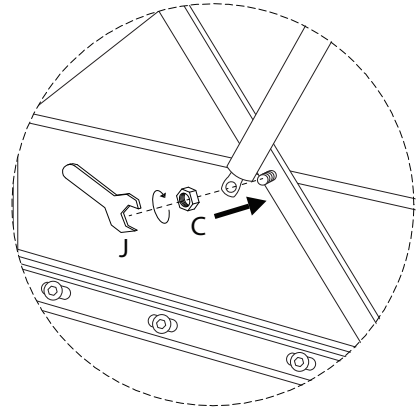
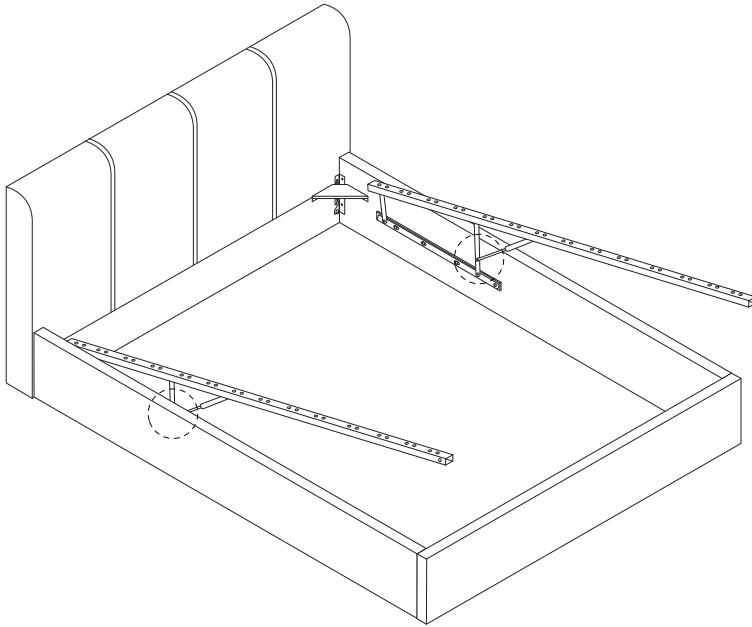


x 2

J

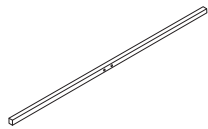


x 1



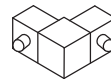
5

5

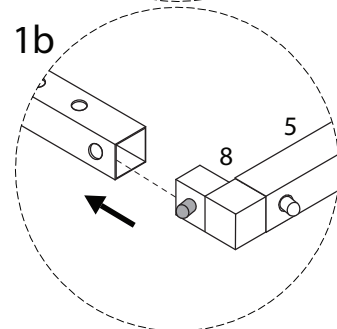
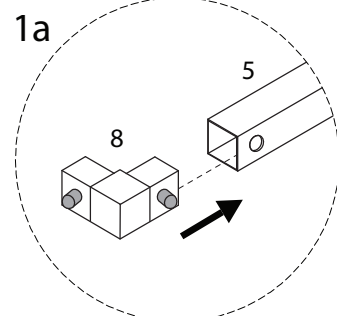
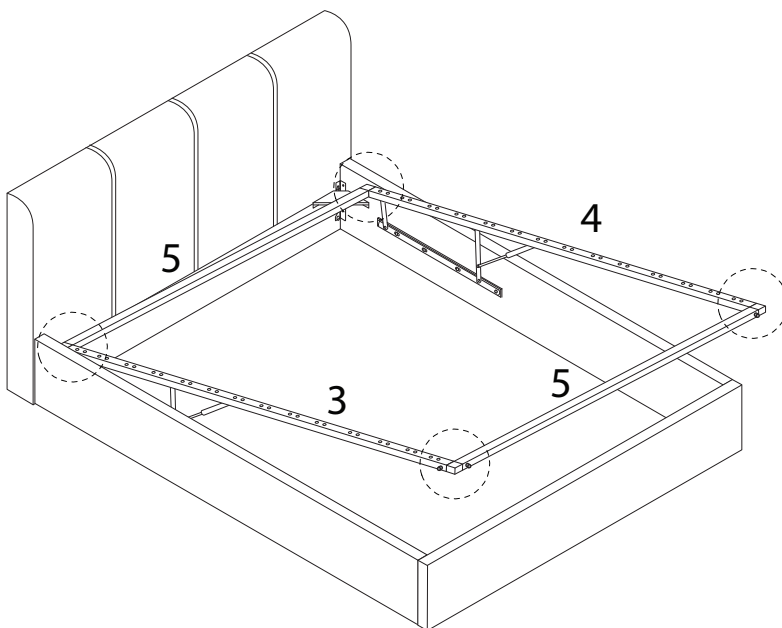


x 2

8

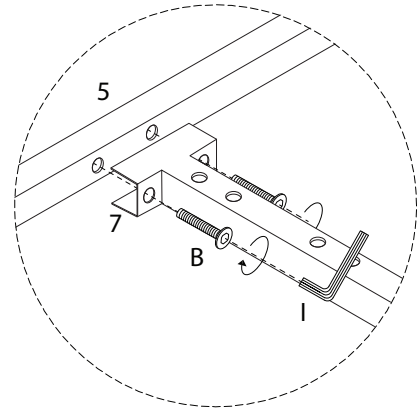
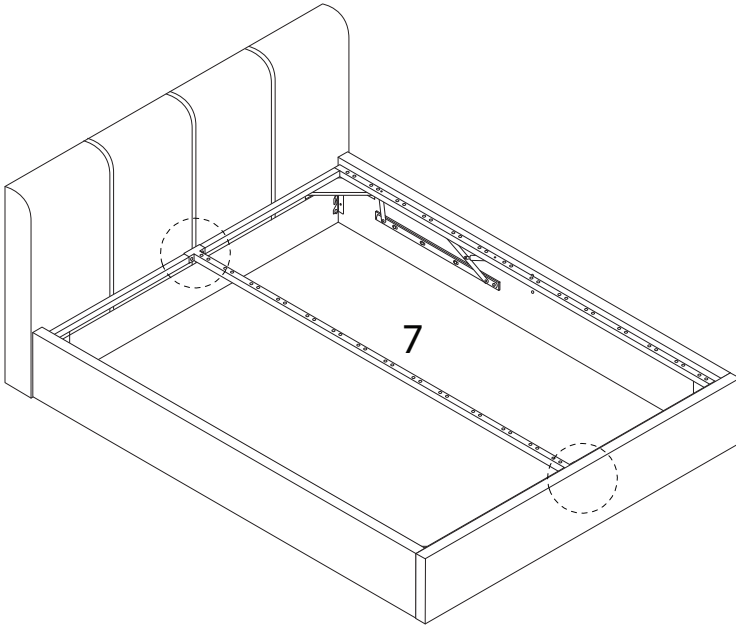
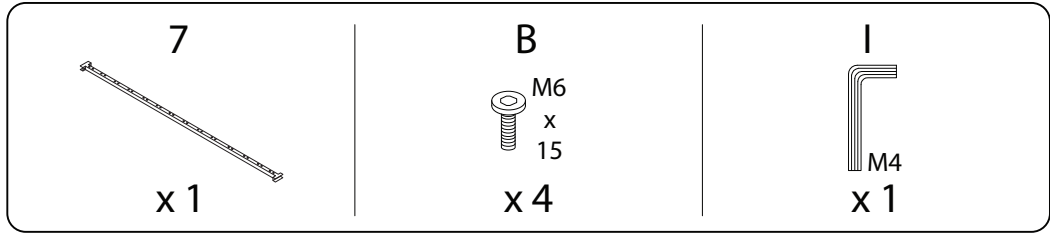


x 4

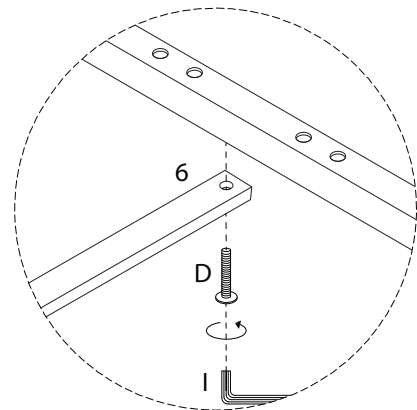
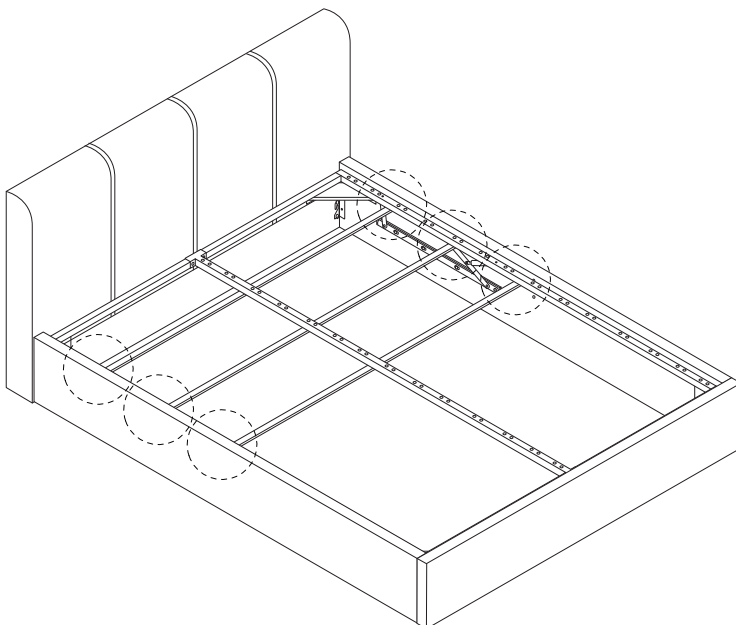
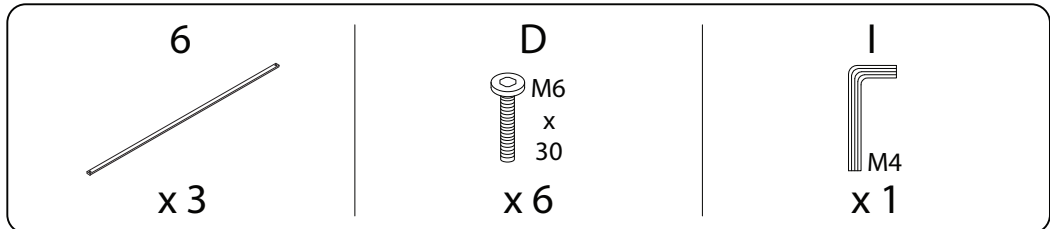




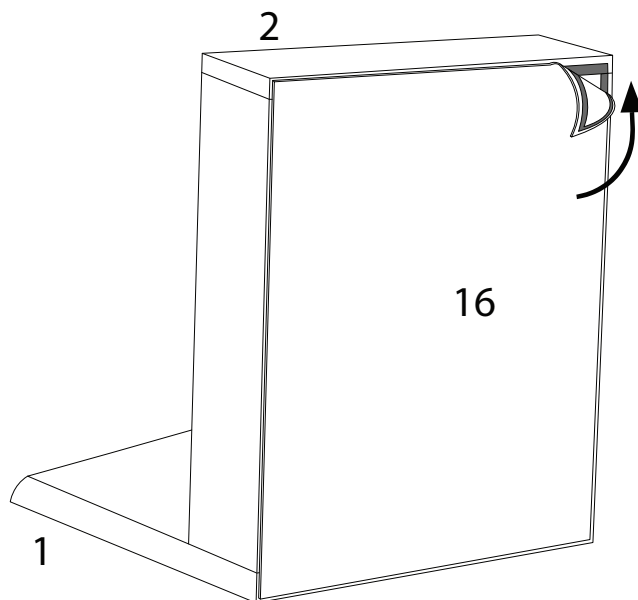
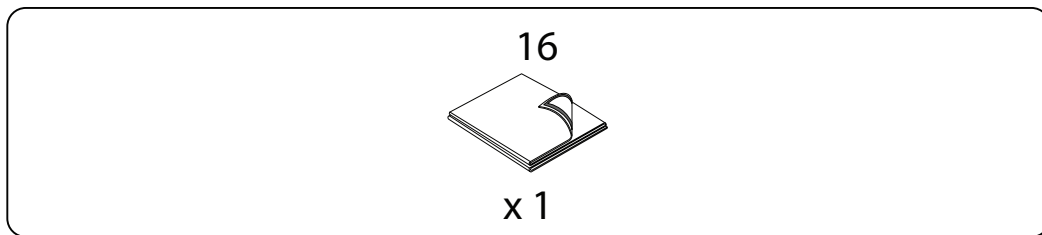
6



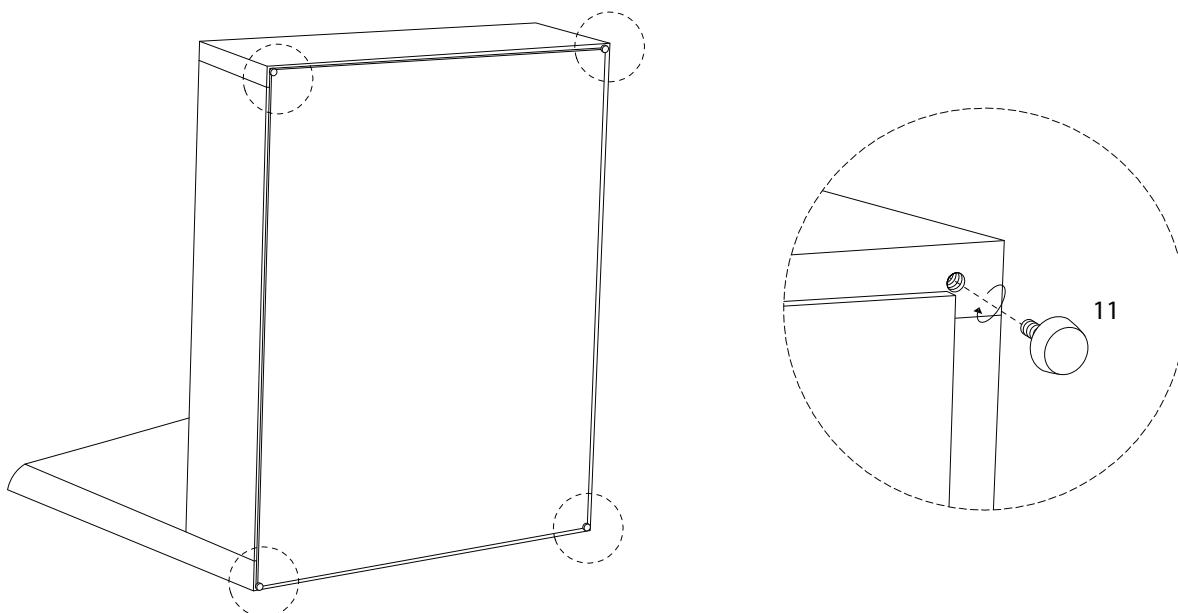
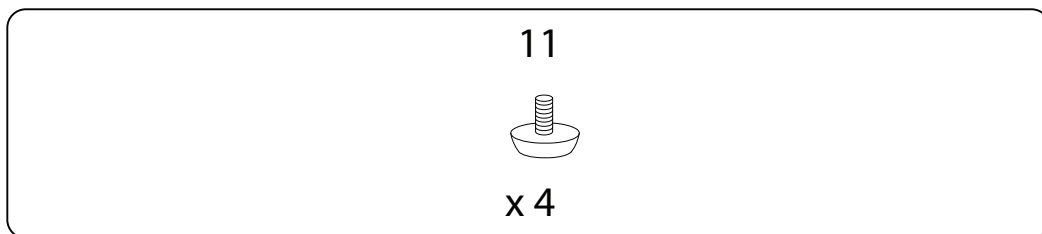
7



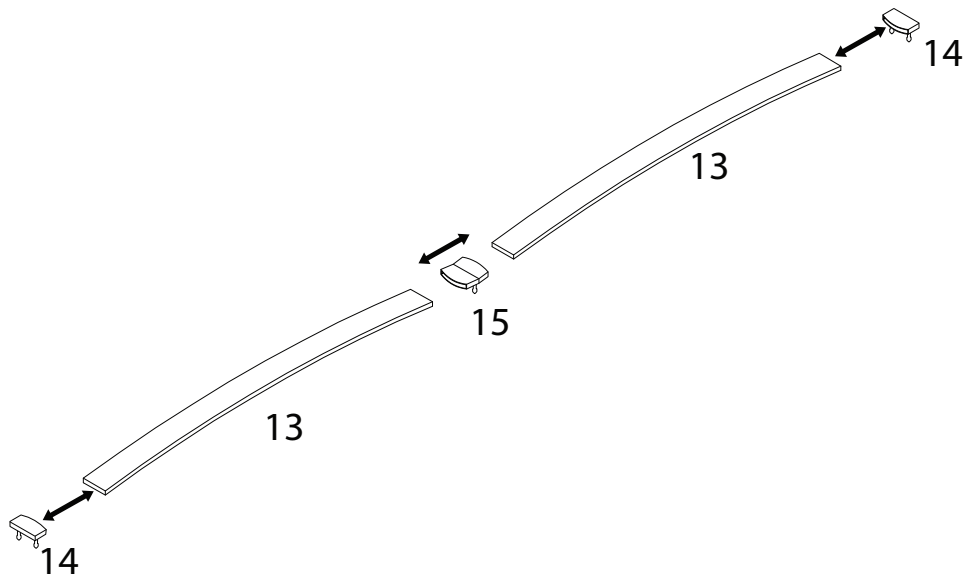
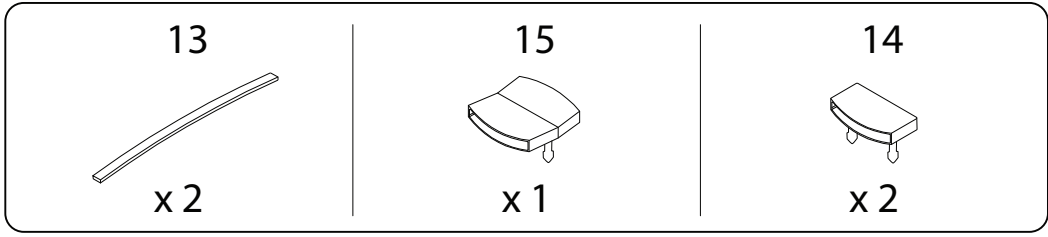
8



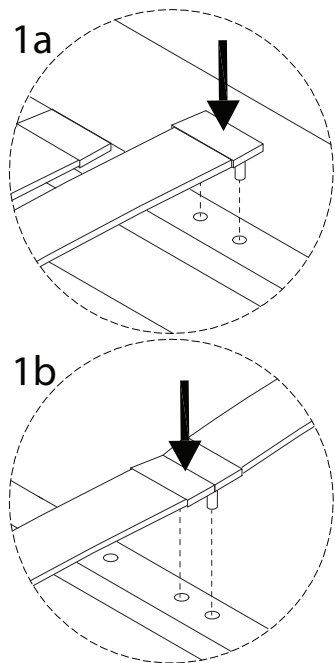
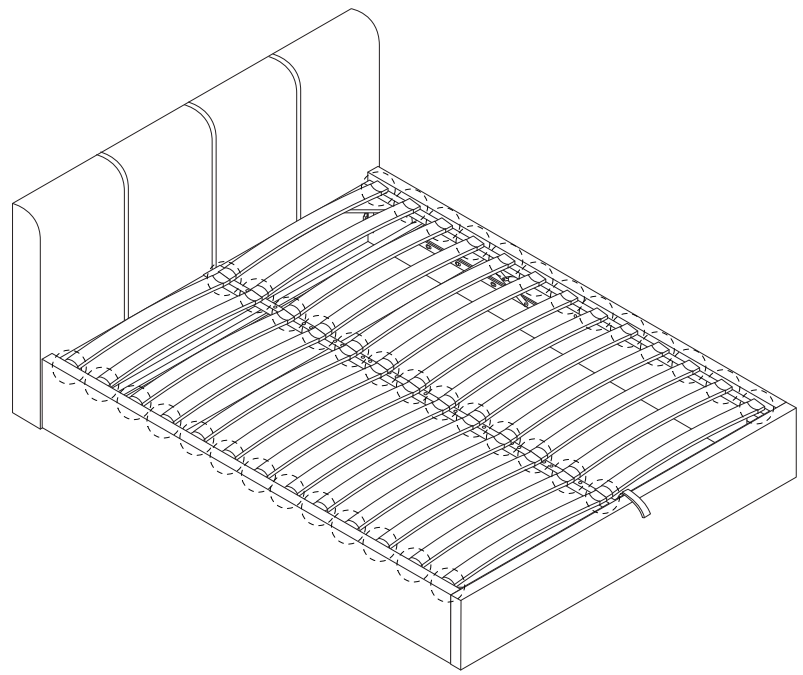
9



10 x 13



11



12

12



x 1

