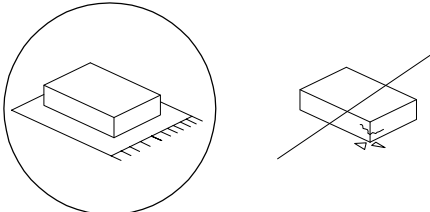

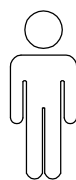
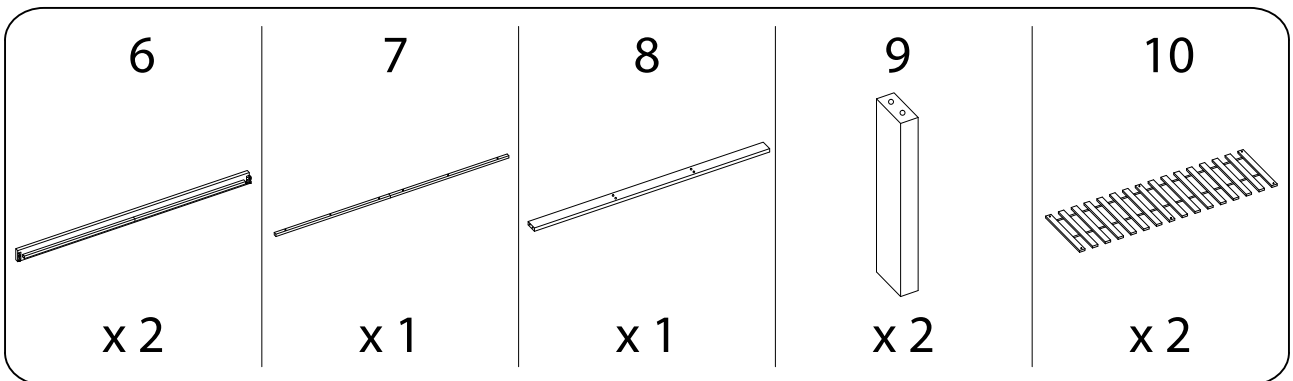
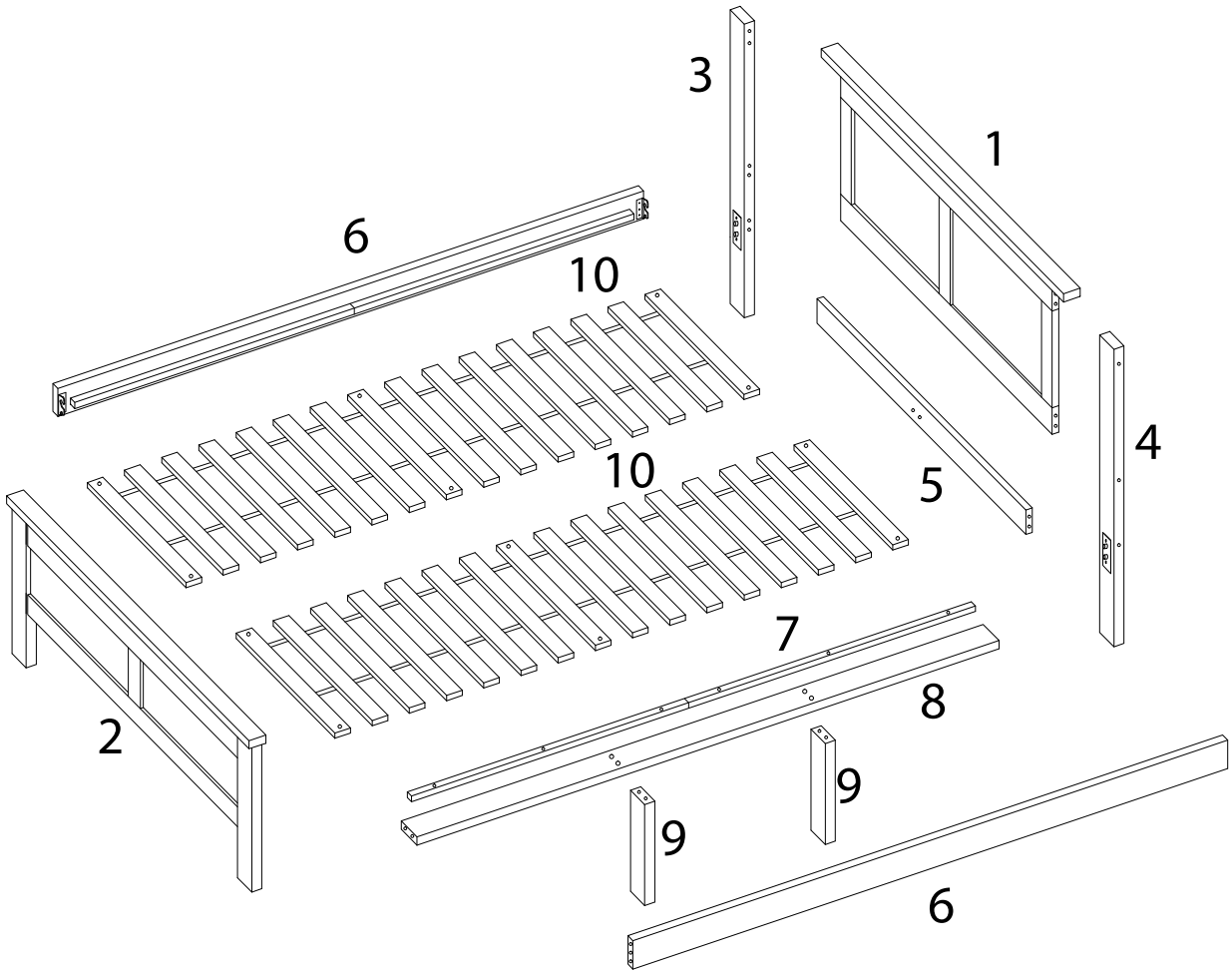
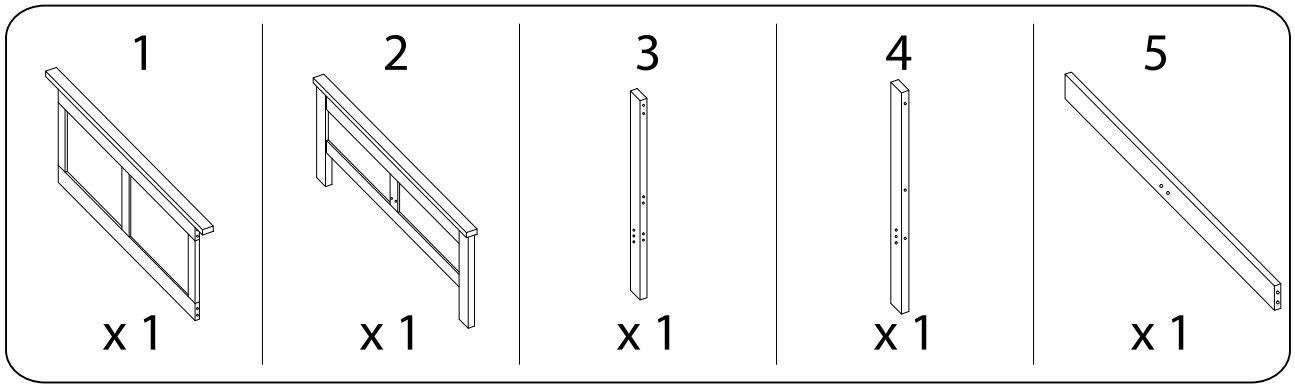
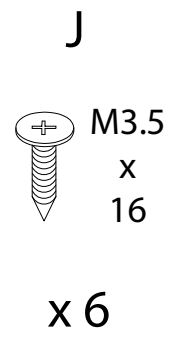
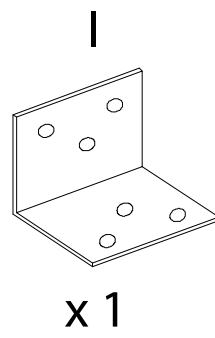
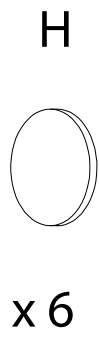
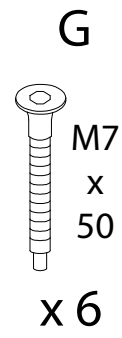
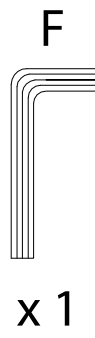
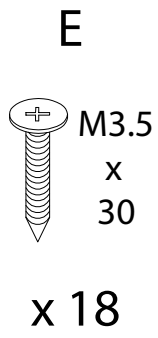
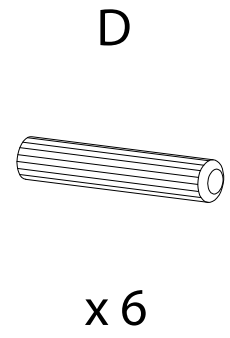
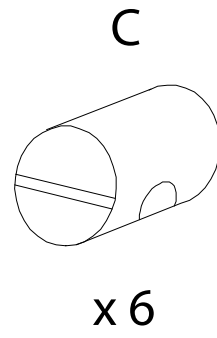
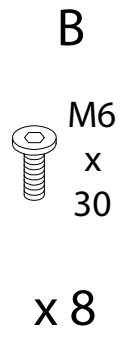
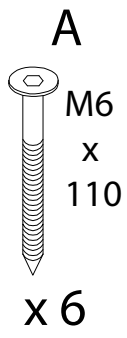
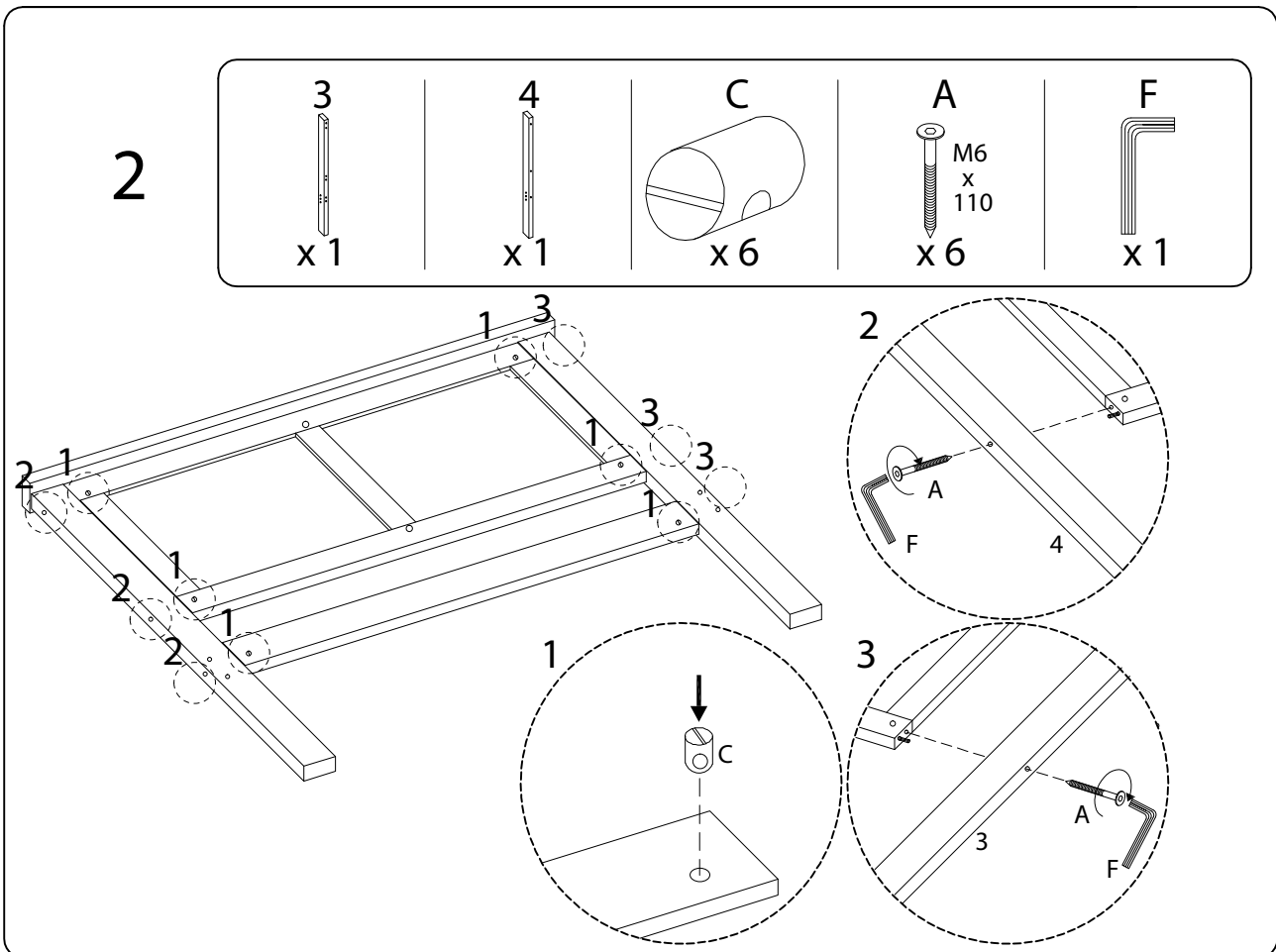
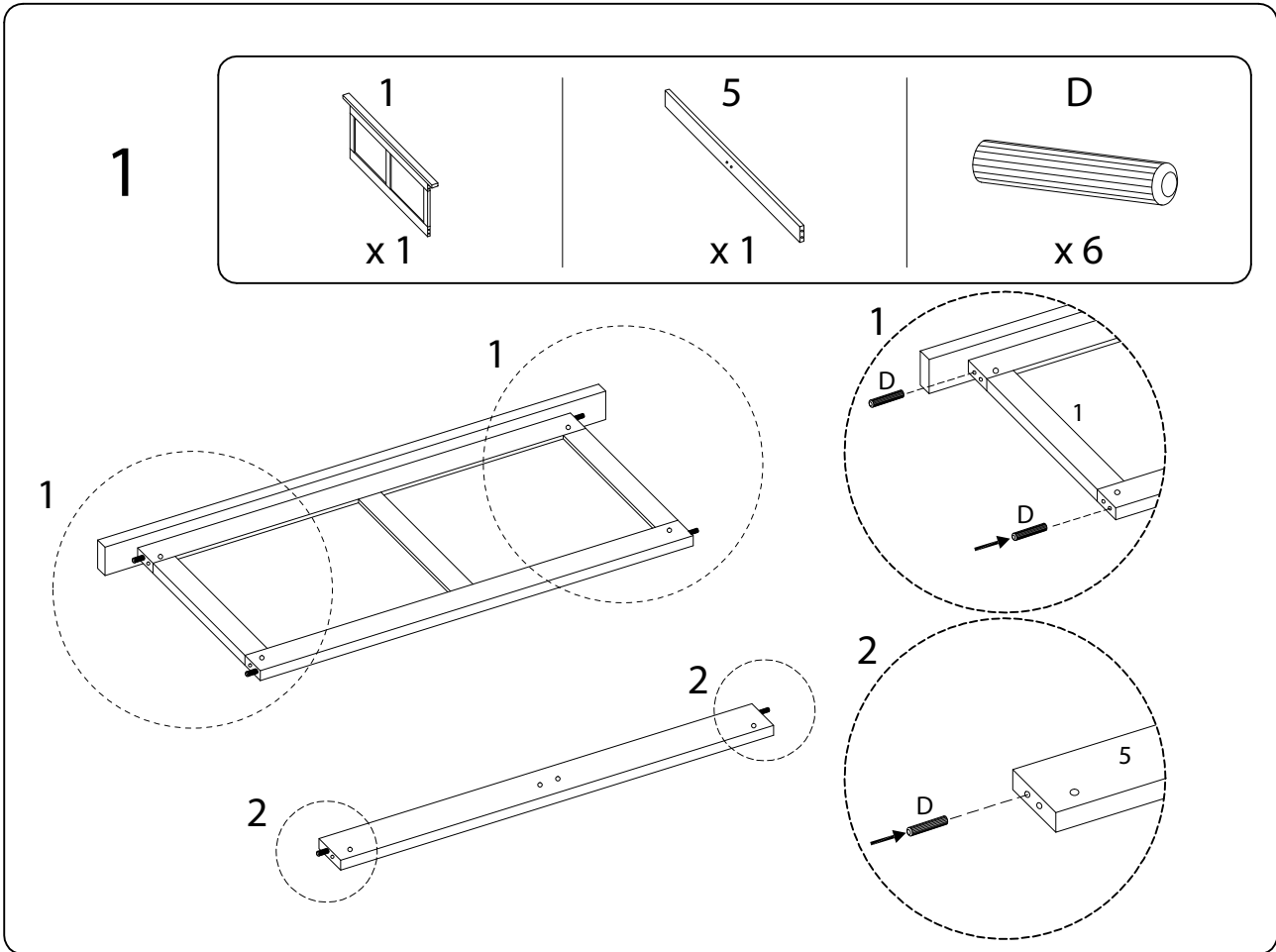
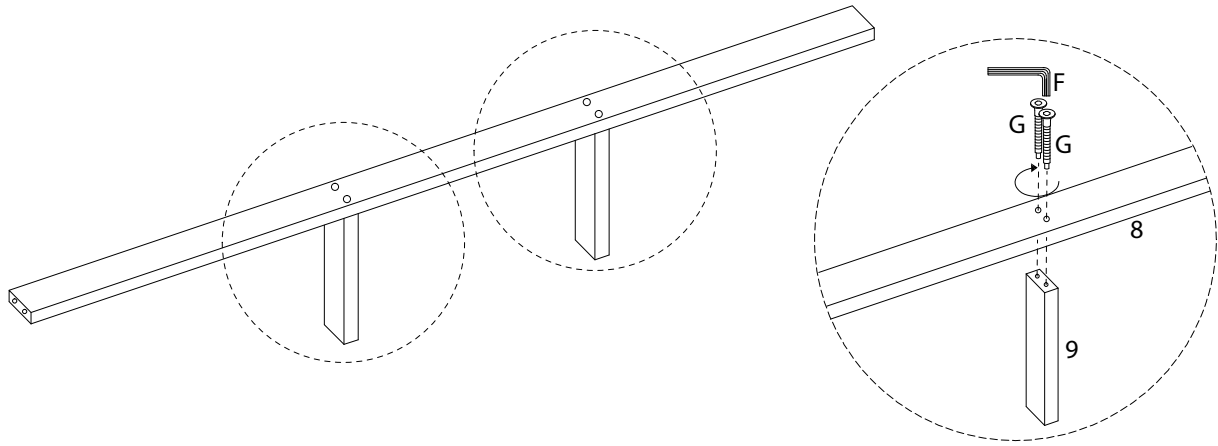
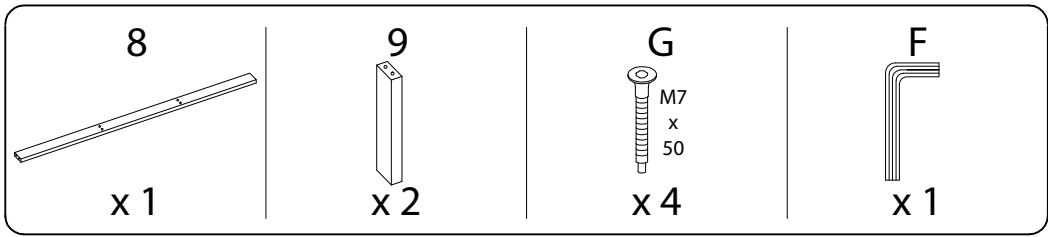

		<p>60'</p>
		
		<p>1</p>



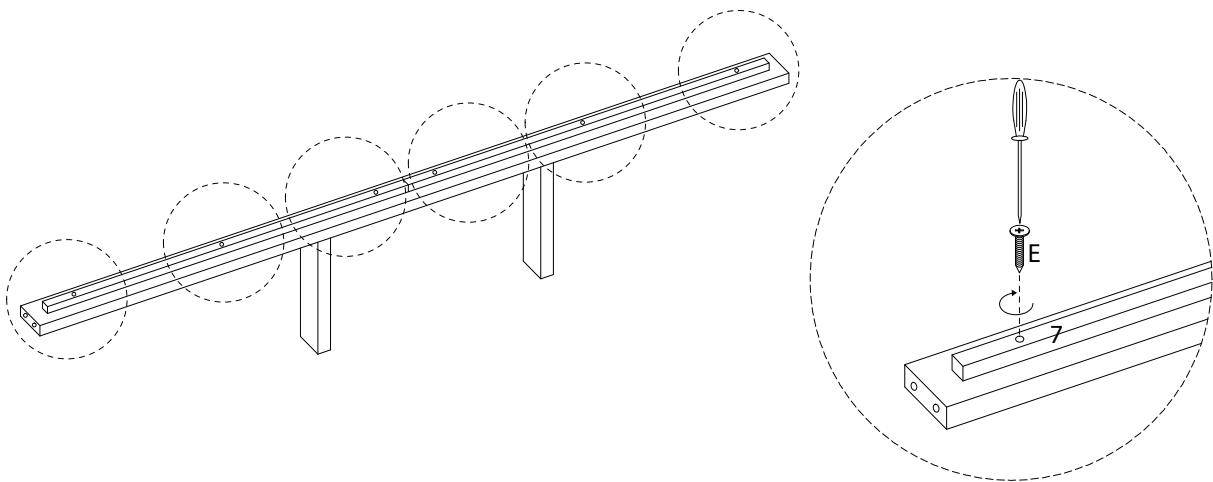
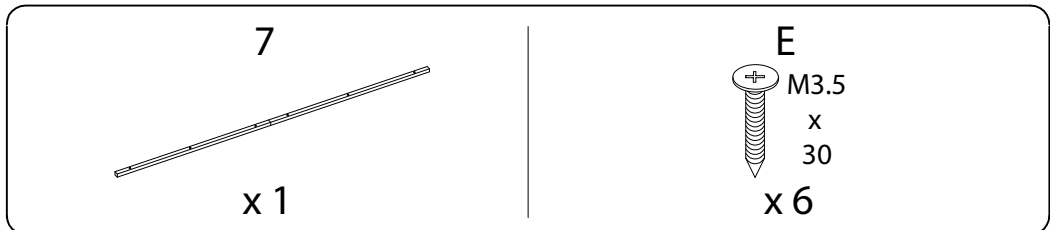




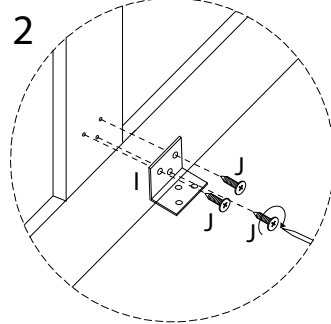
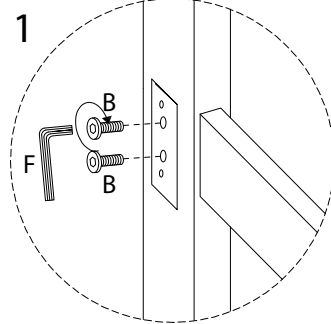
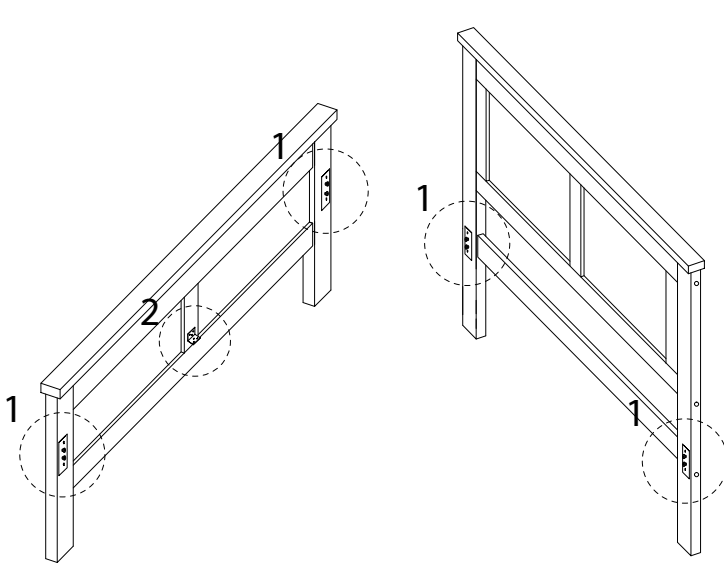
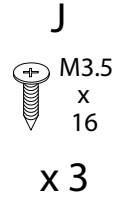
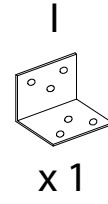
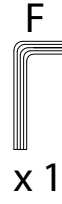
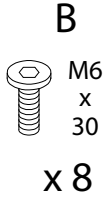
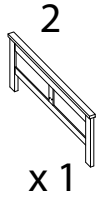
3



4



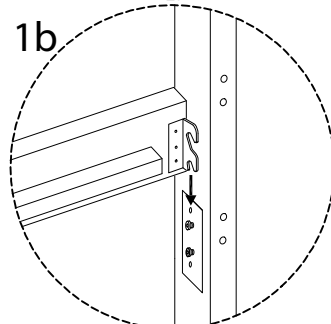
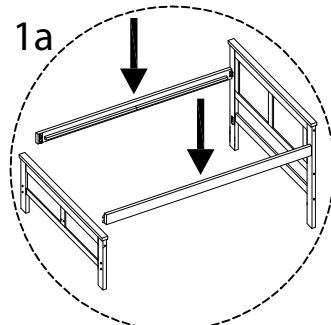
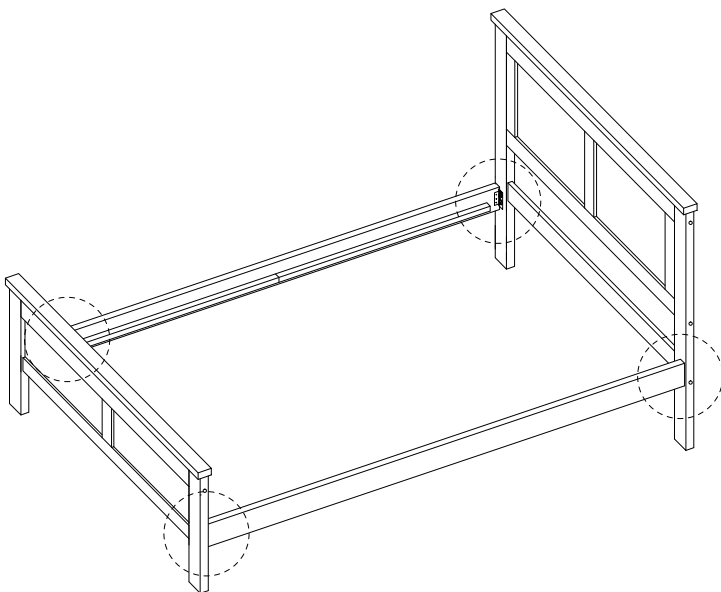
5



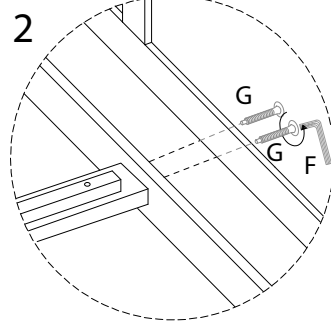
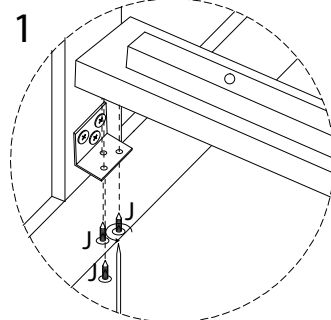
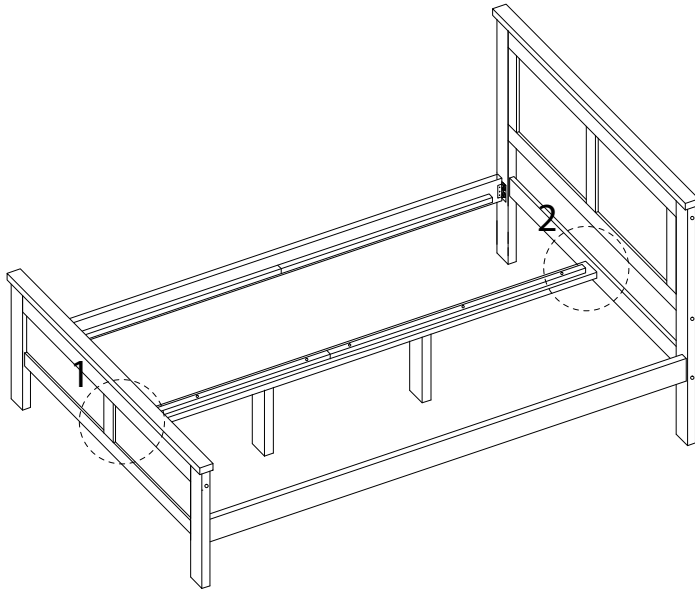
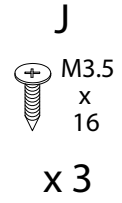
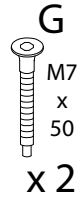
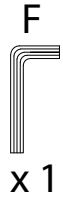
6

A

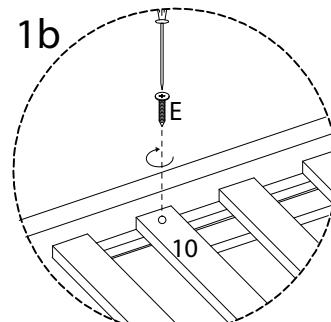
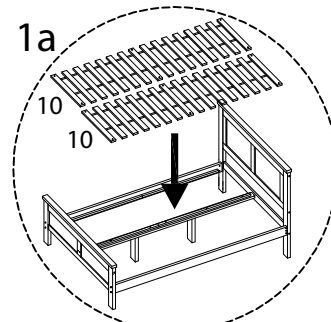
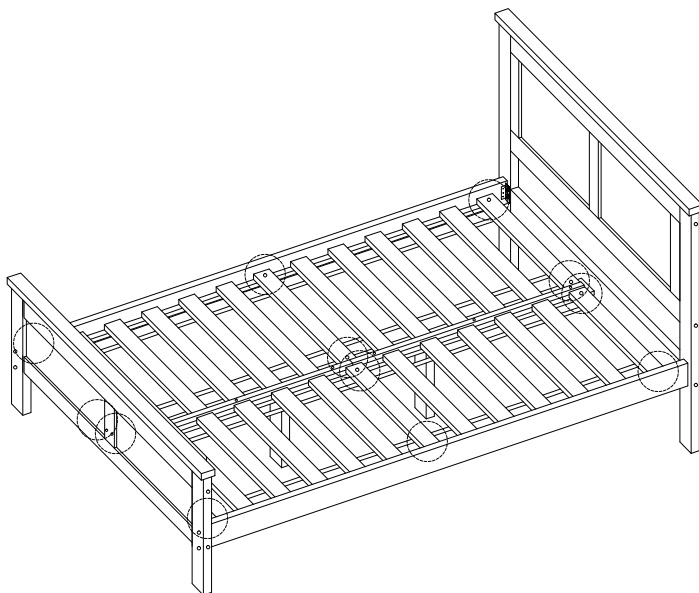
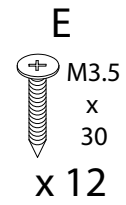
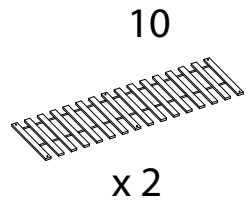
x1



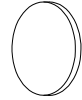
7



8



9

H

x 6

