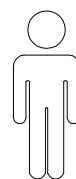
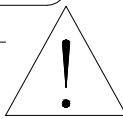
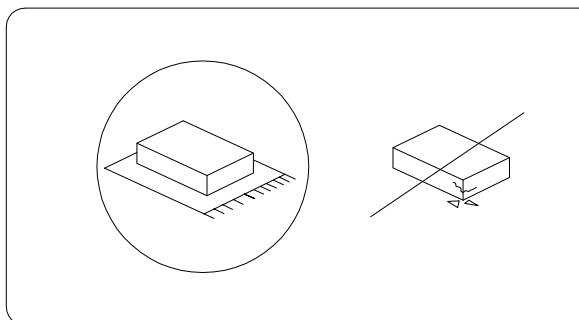
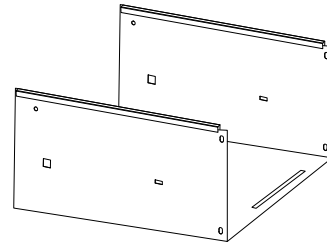
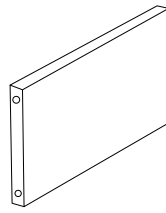


40'



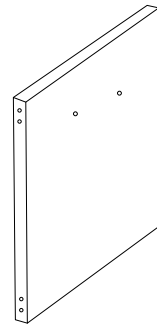
1

F x 2

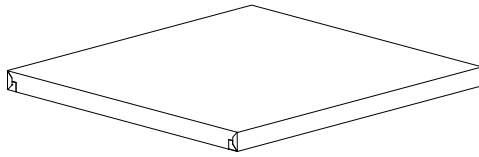


G x 2

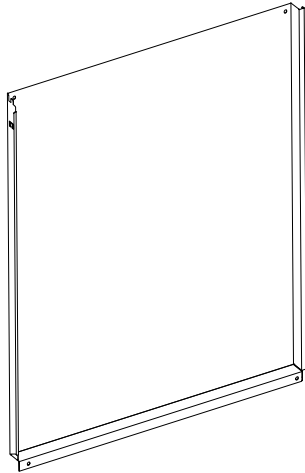
C x 2



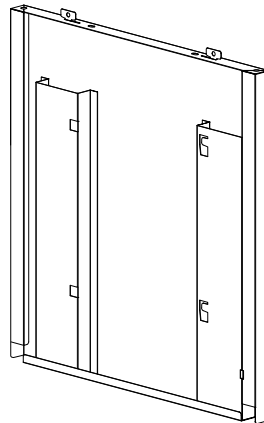
D



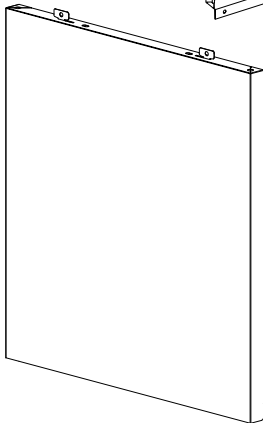
B



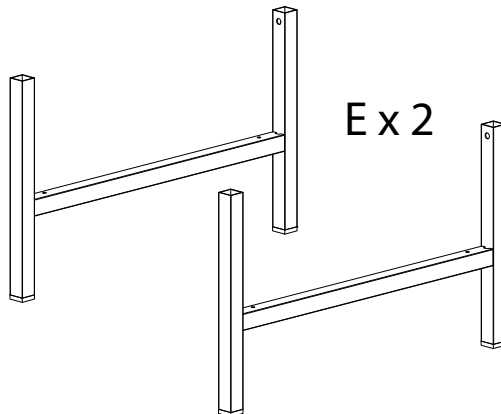
A

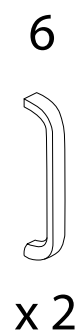
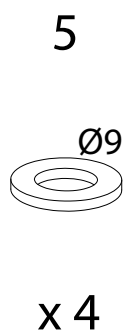
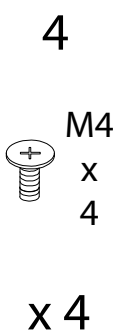
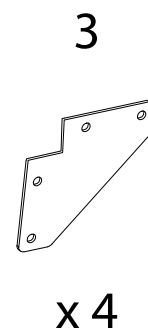
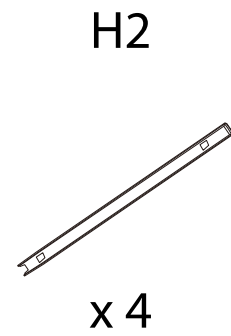
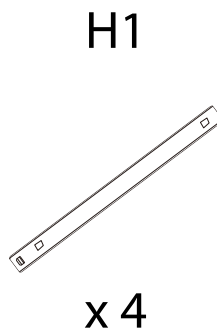
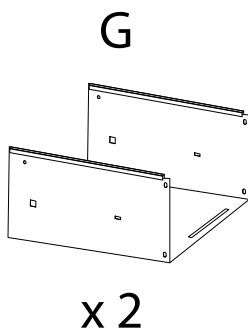
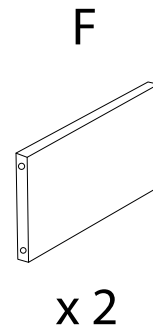
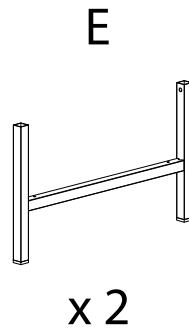
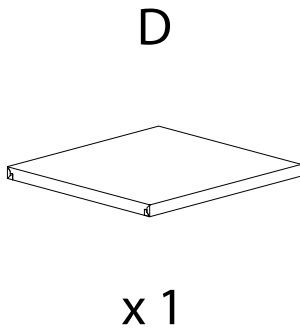
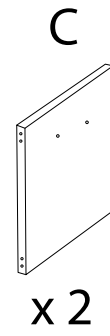
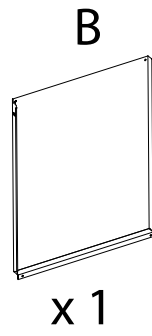
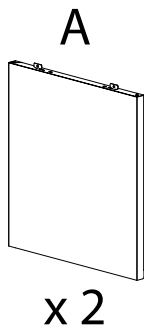


A

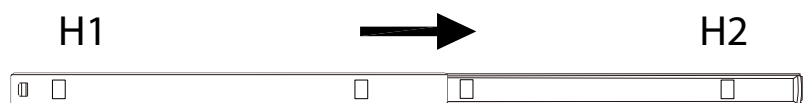
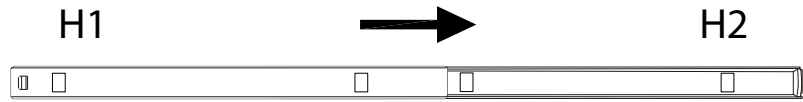


E x 2

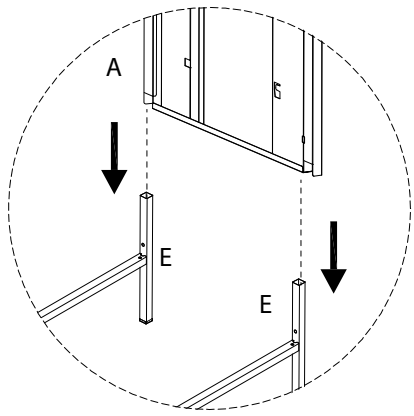
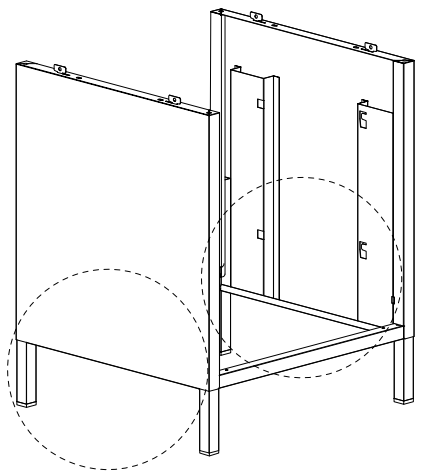
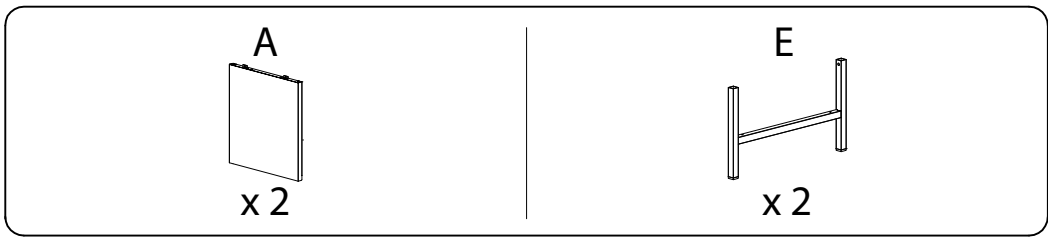




!



1



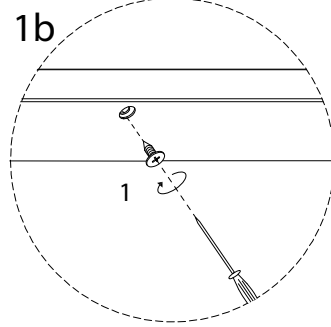
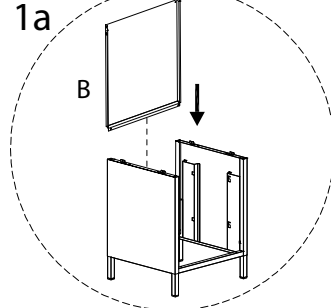
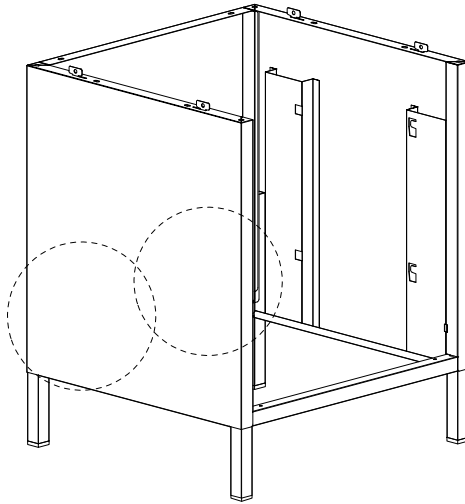
2

1

M5
x
12
x 2

B

x 1



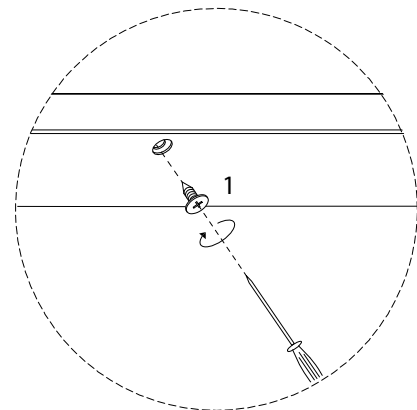
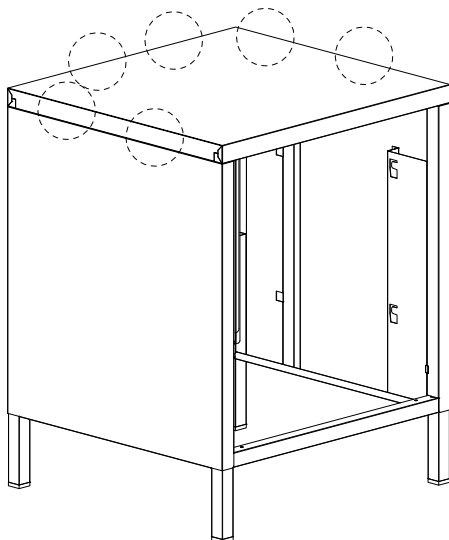
3

D

x 1

1

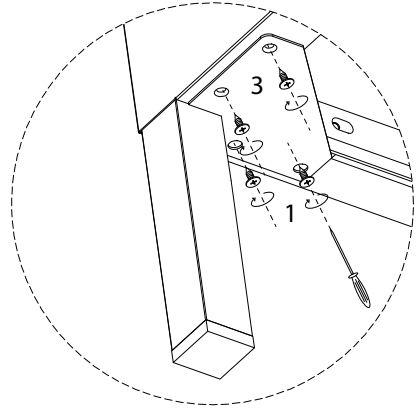
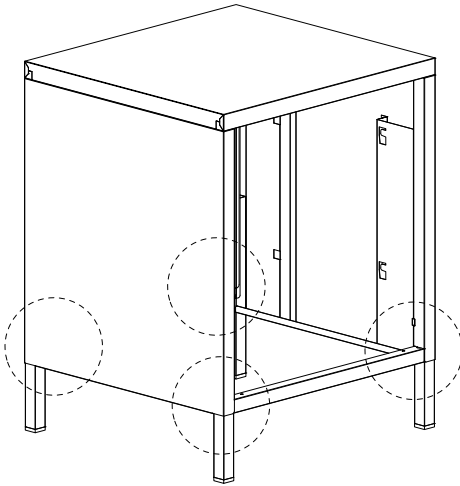
M5
x
12
x 6



4

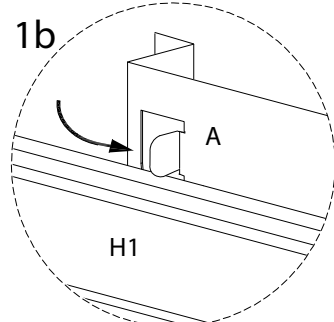
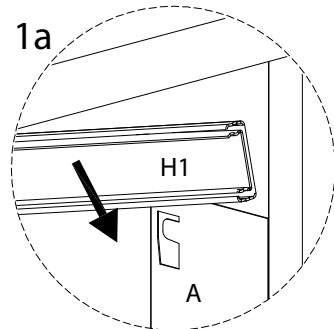
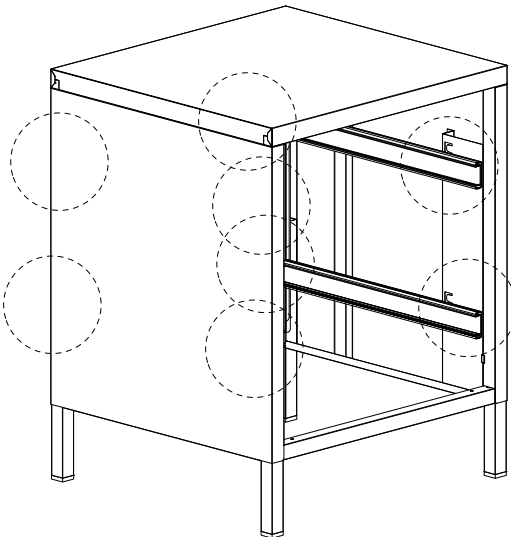
1
M5
x
12
x 12

3
x 4

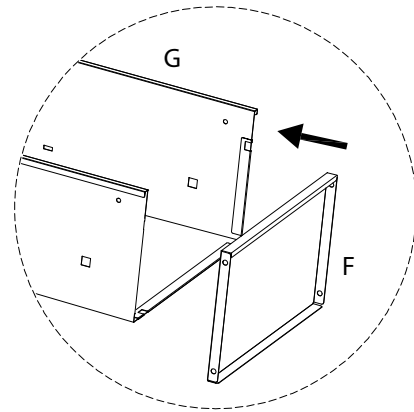
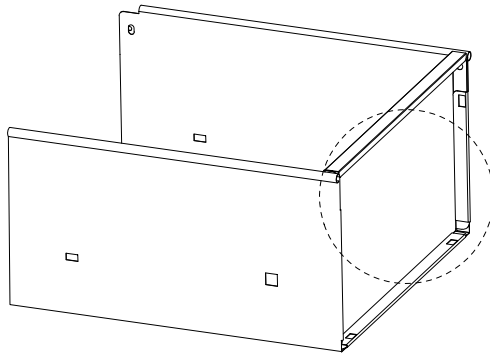
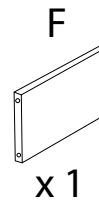
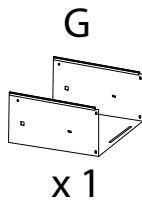


5

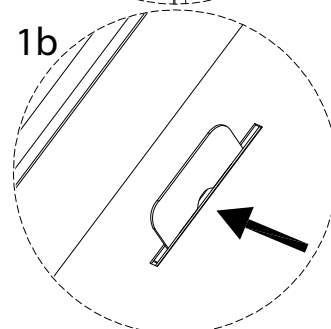
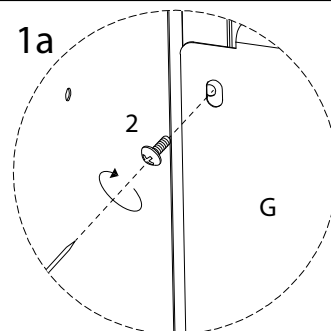
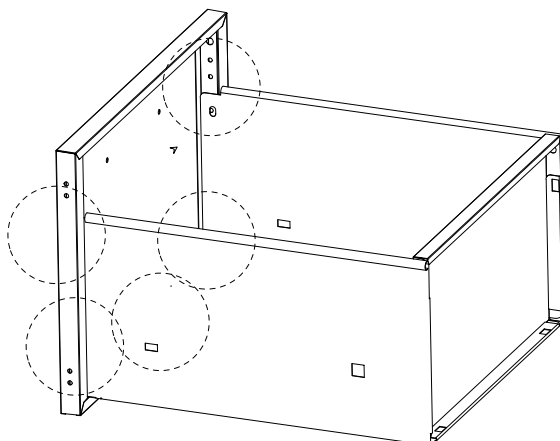
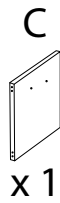
H1
x 4



6 x 2



7 x 2

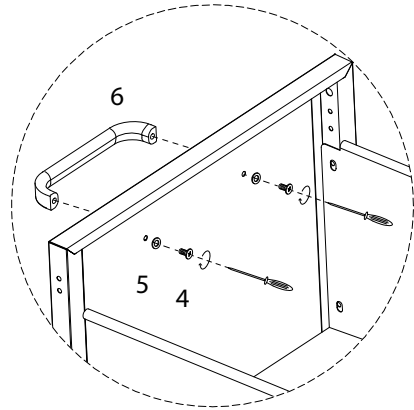
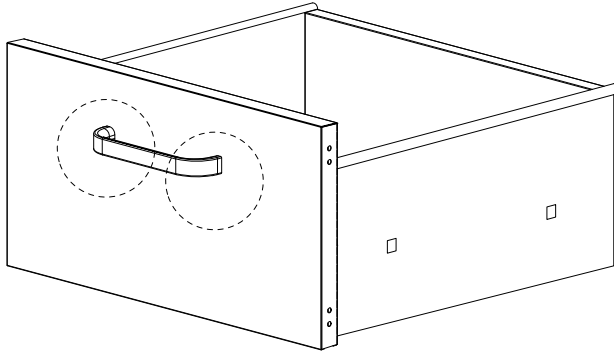


8 x 2

4
M4
x
4
x 2

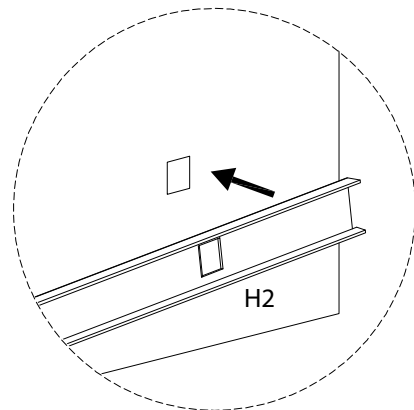
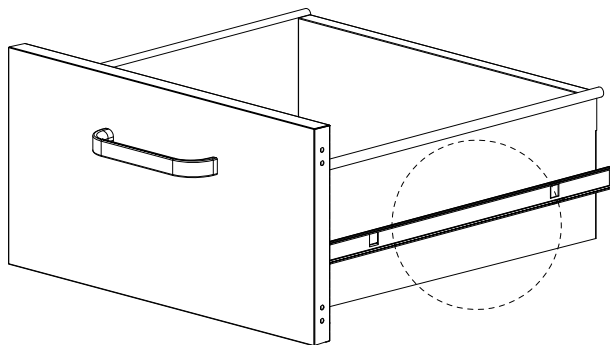
5
Ø9
x 2

6
x 1



9 x 2

H2
x 2



!

