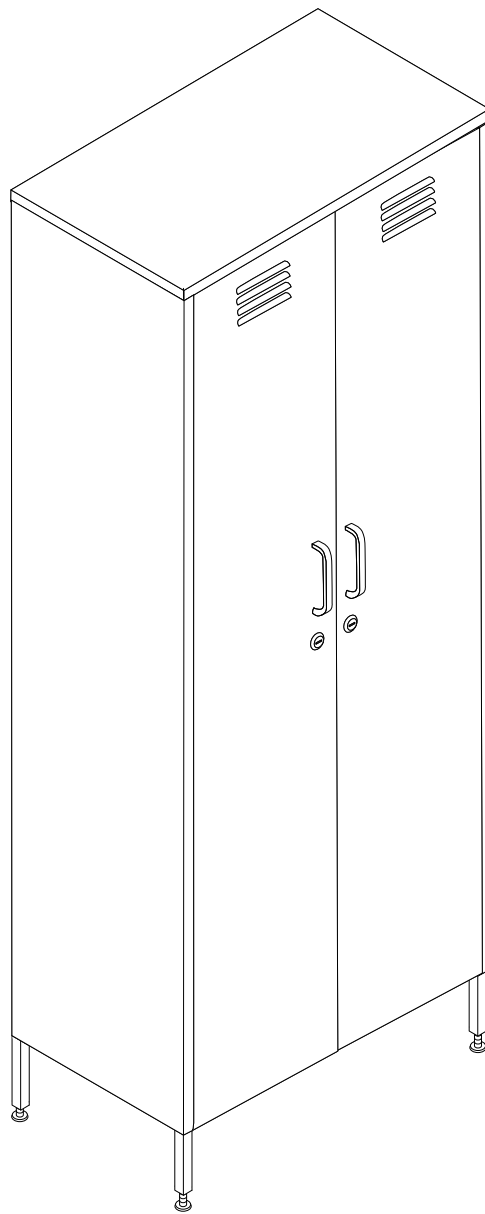
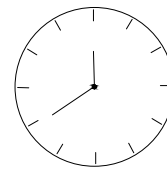
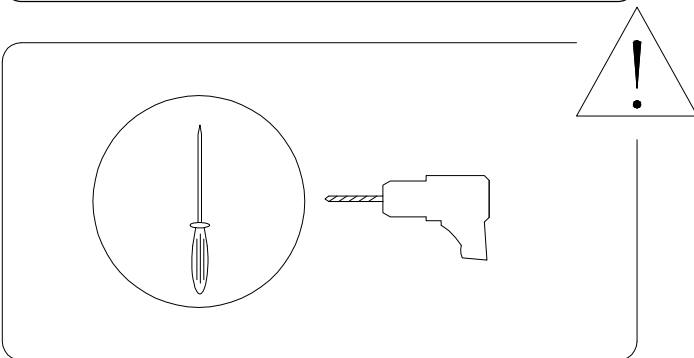
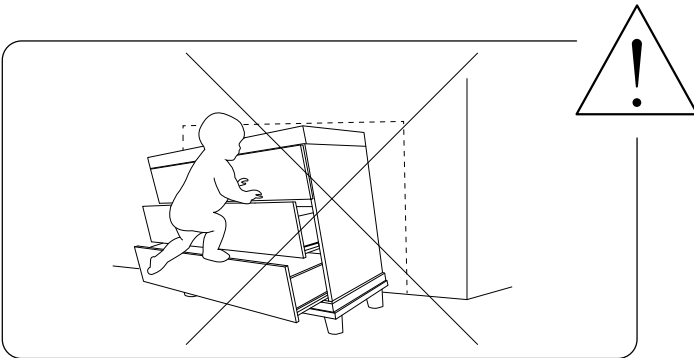
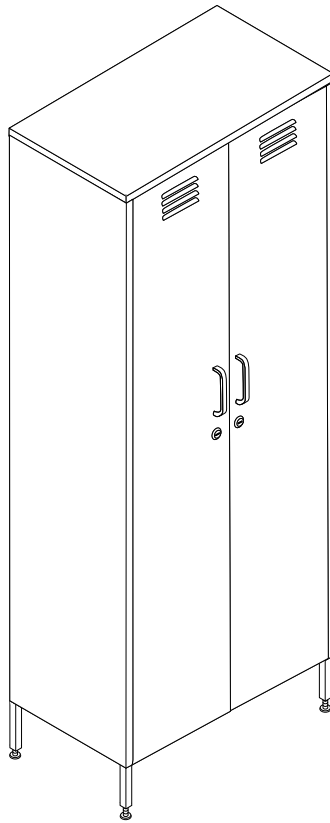
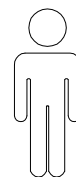
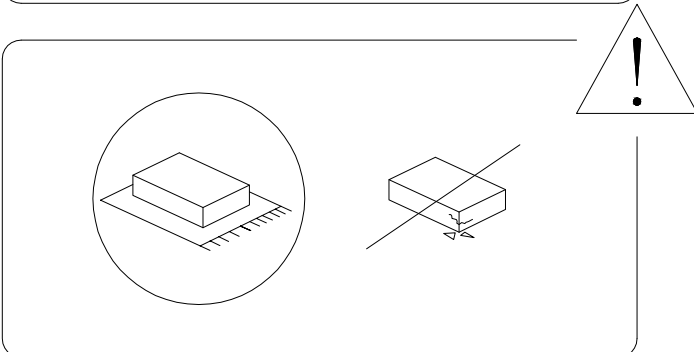


VARNA

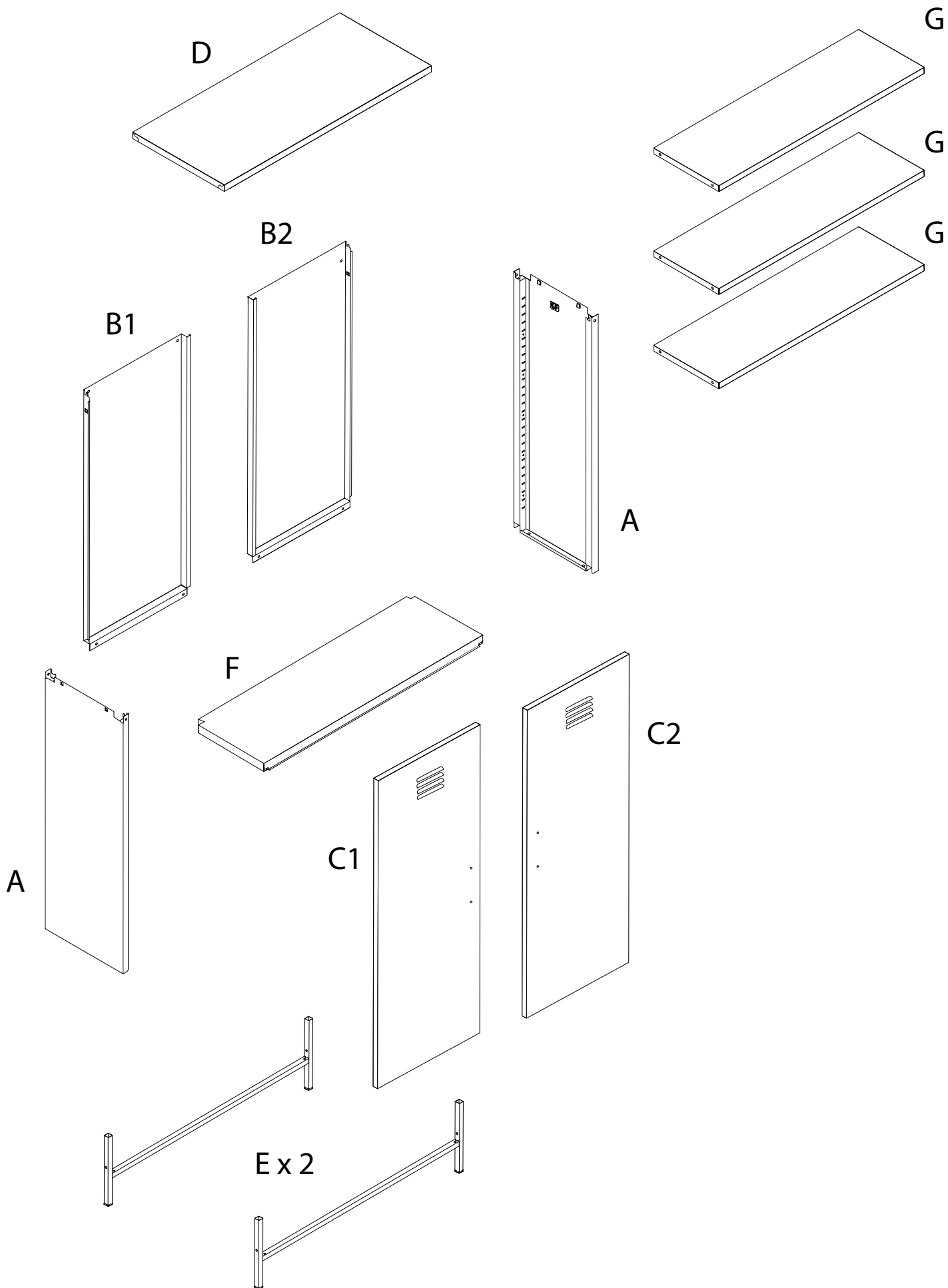




40'



1



A



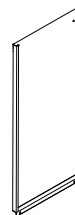
x 2

B1



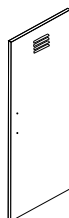
x 1

B2



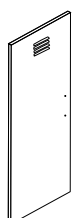
x 1

C1



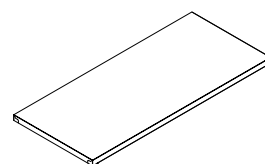
x 1

C2



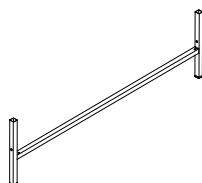
x 1

D



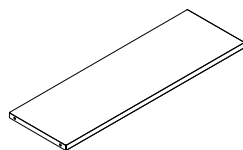
x 1

E



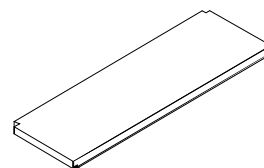
x 2

F



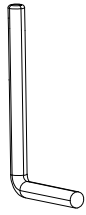
x 1

G



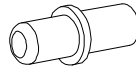
x 3

1



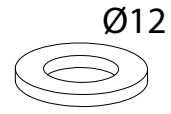
x 1

2



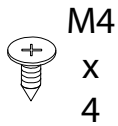
x 2

3



x 2

4



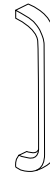
x 4

5



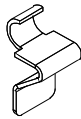
x 4

6



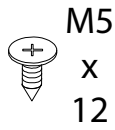
x 2

7



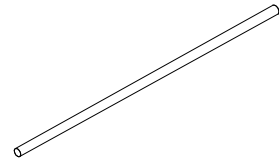
x 12

8



x 5

9



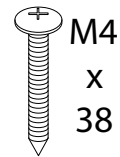
x 1

10



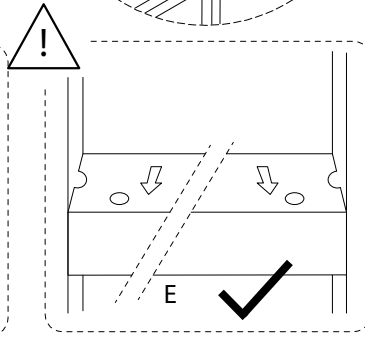
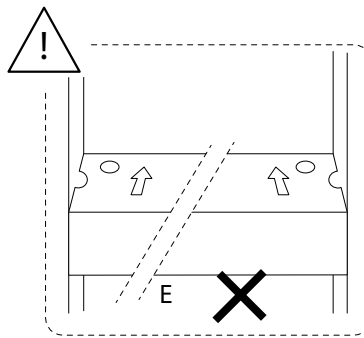
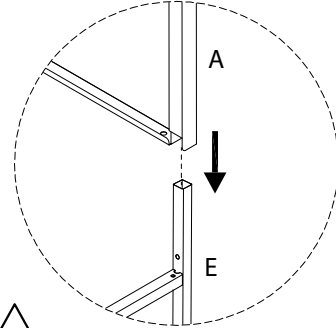
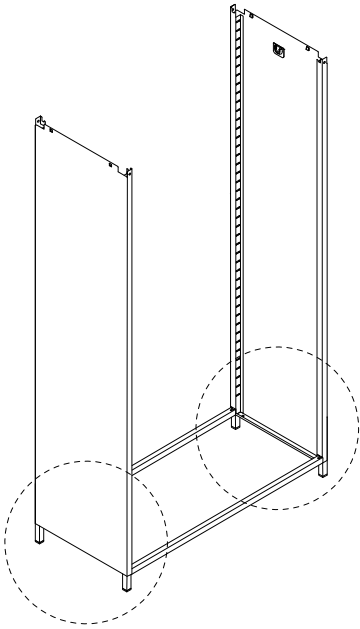
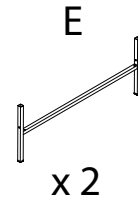
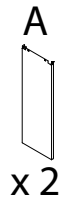
x 2

11

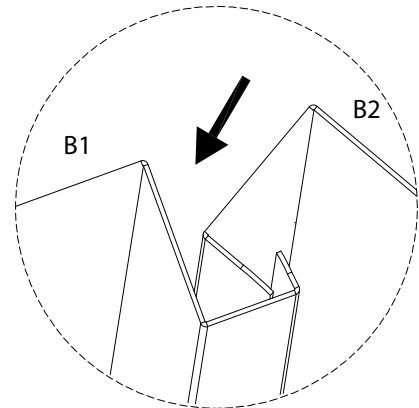
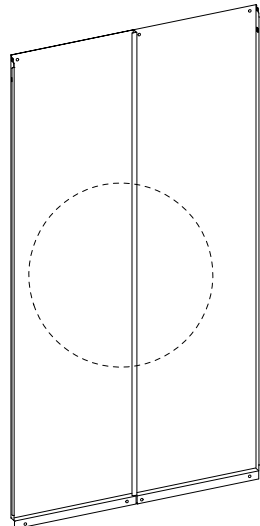


x 2

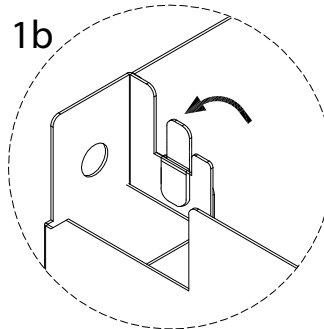
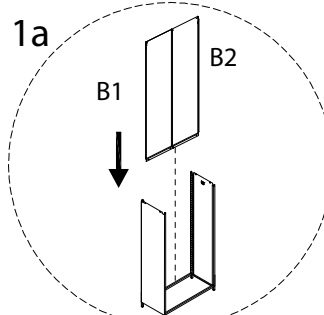
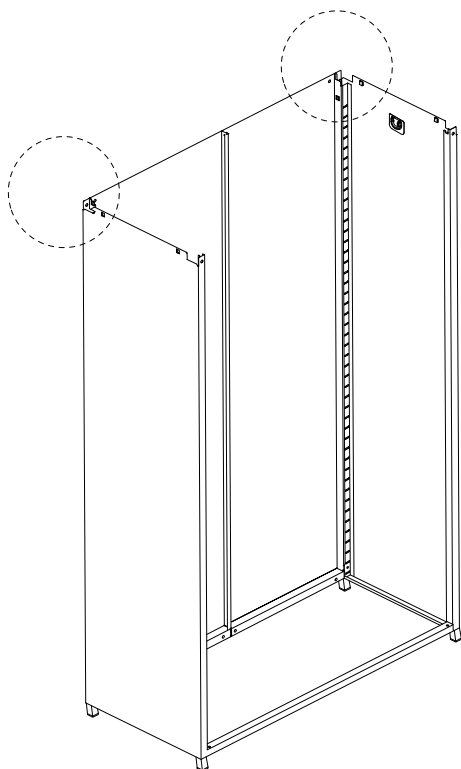
1



2



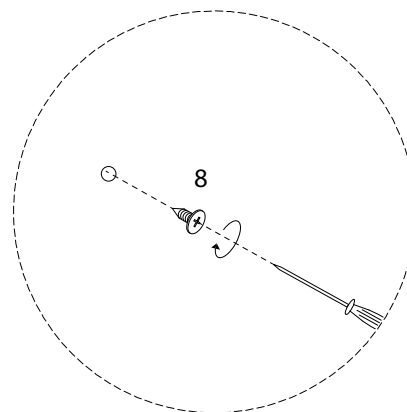
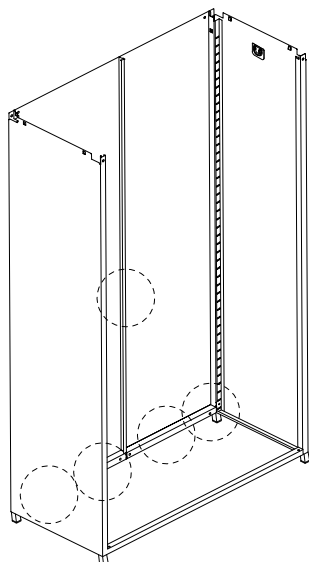
3



4

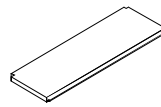
8

M5
x
12
x 5

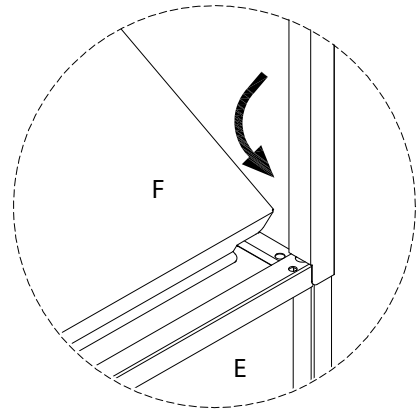
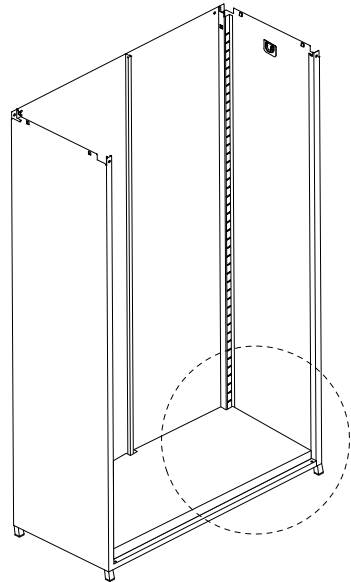


5

F

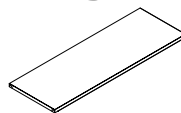


x 1

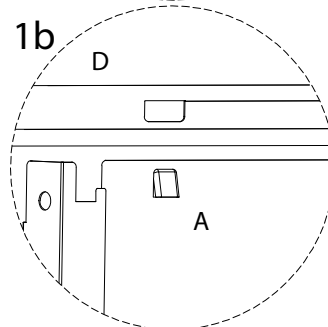
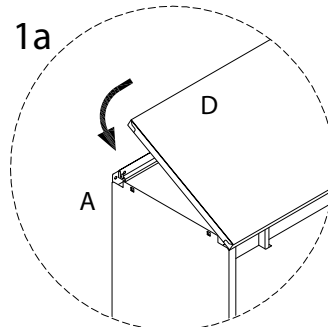
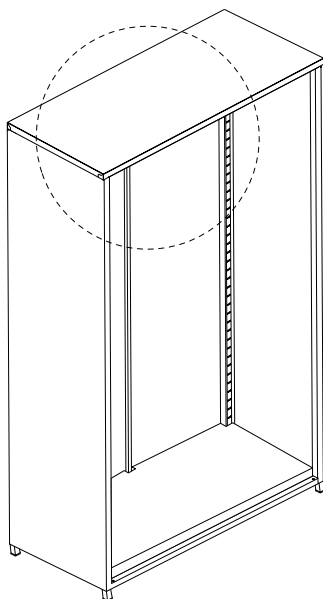


6

D

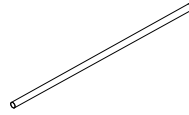


x 1

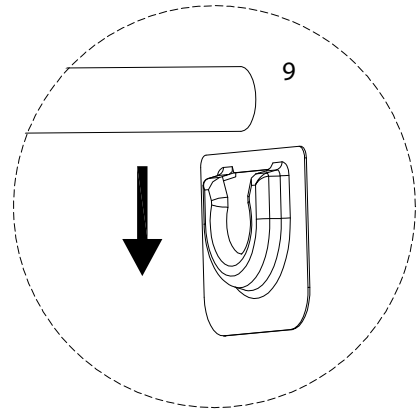
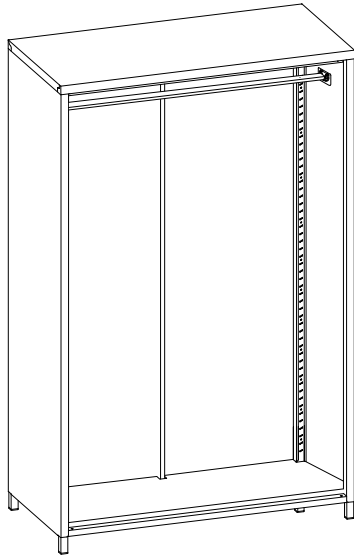


7

9



x 1

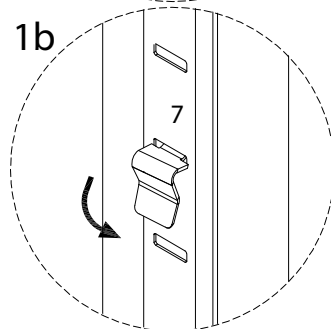
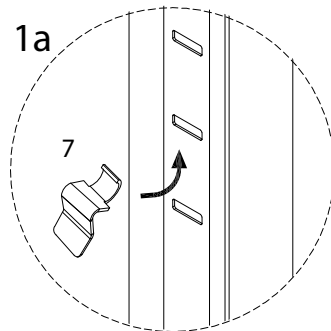
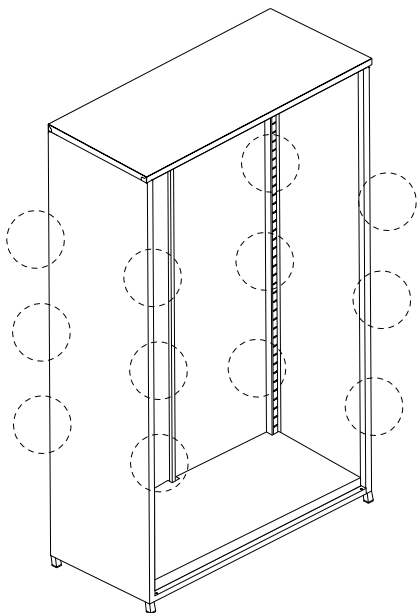


8

7

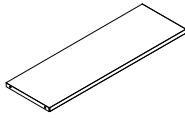


x 12

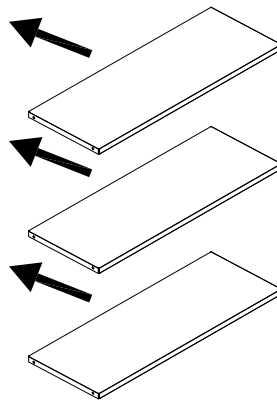
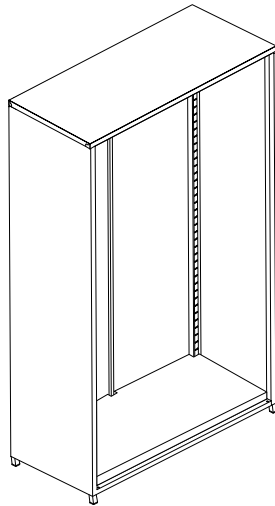


9

G



x 3



G

G

G

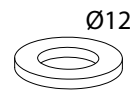
10

2

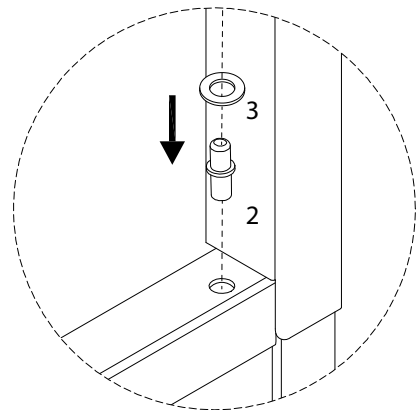
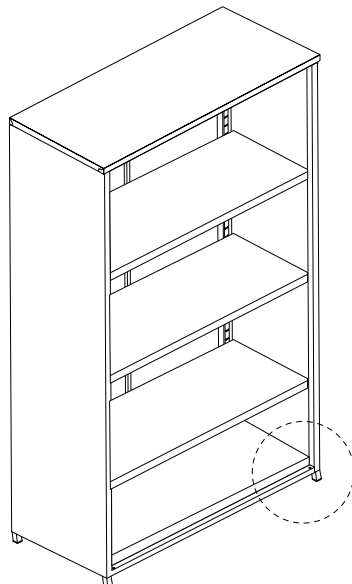


x 2

3



x 2



11

C1

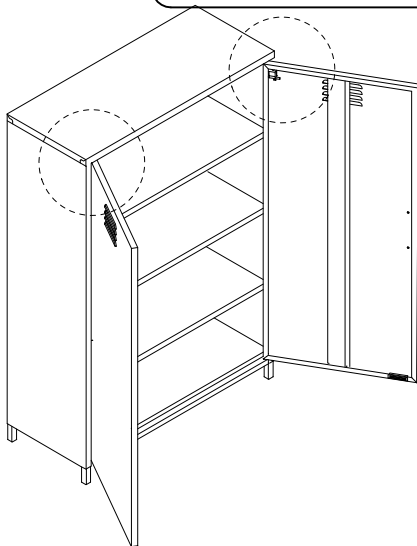
x 1

C2

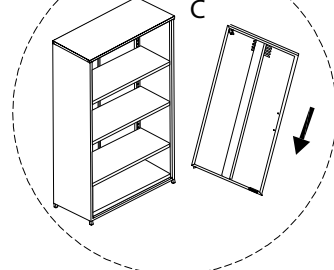
x 1

1

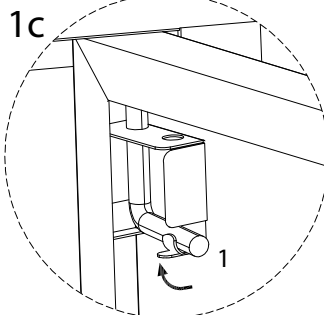
x 2



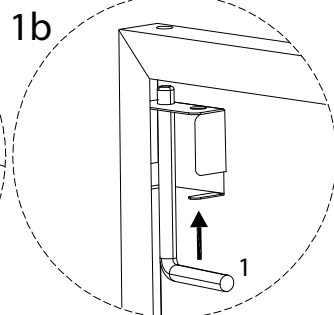
1a



1c



1b



12

4



x 4

x 4

5

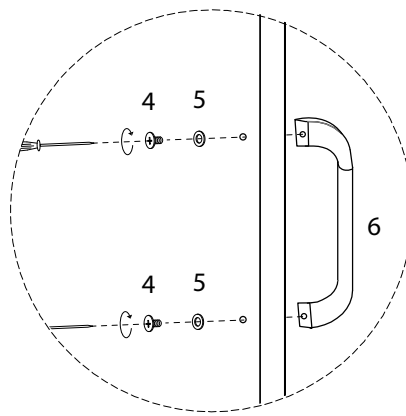
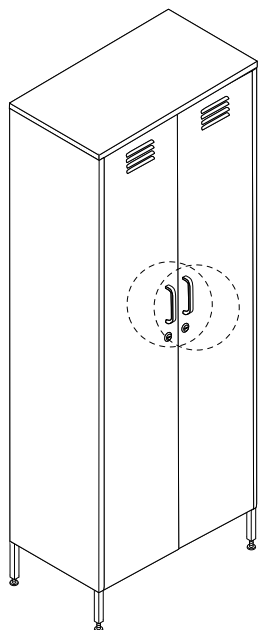


x 4

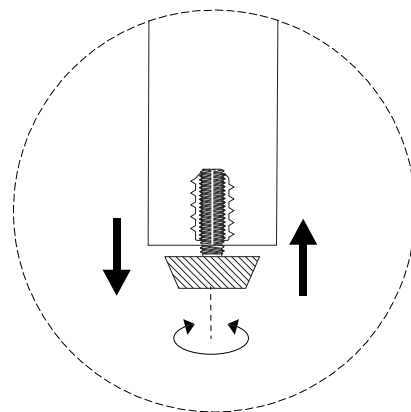
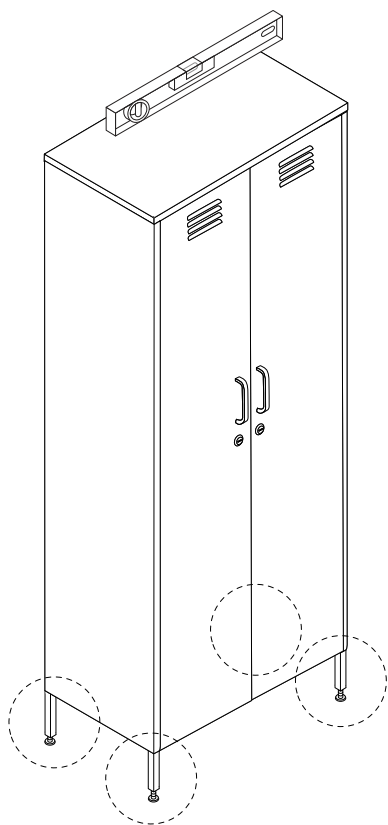
6



x 2



13



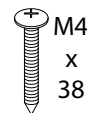
14

10



x 2

11



x 2

