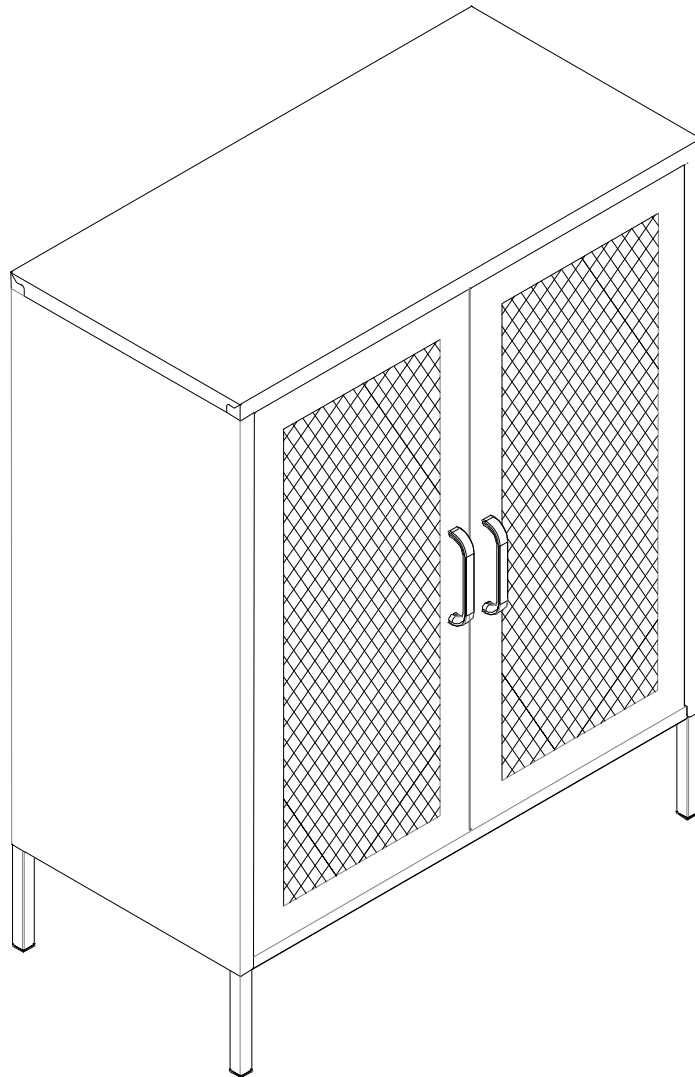


WAKATIPU



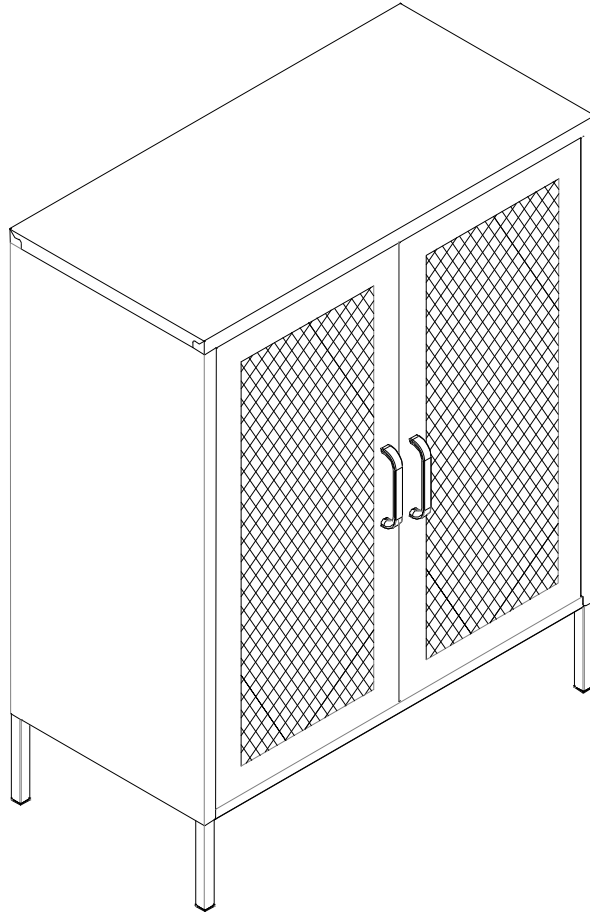
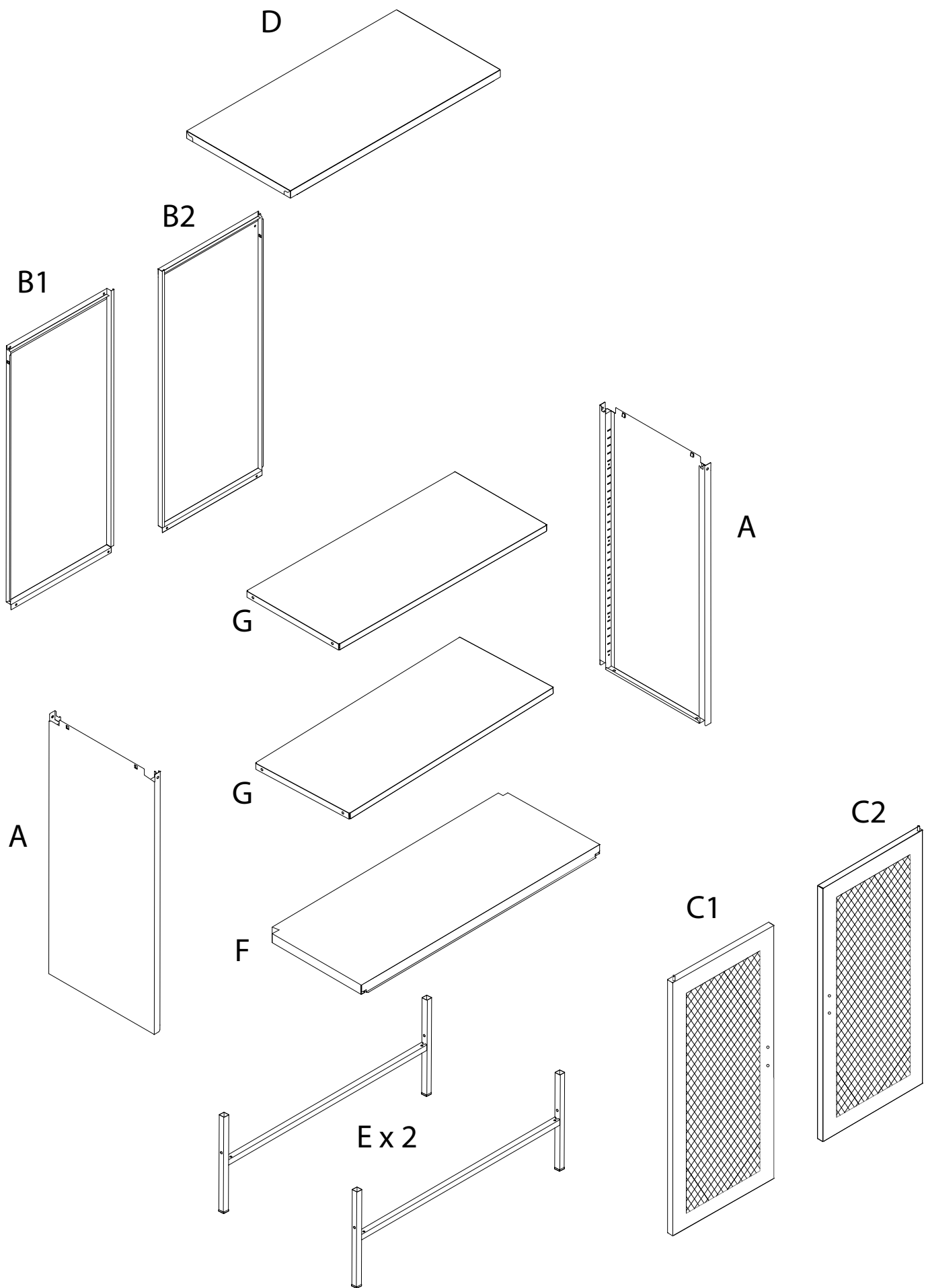
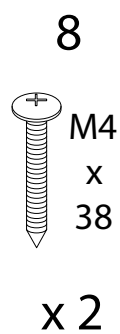
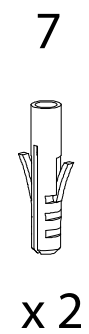
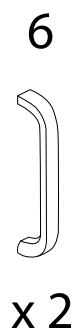
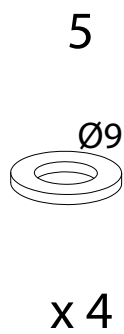
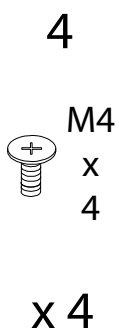
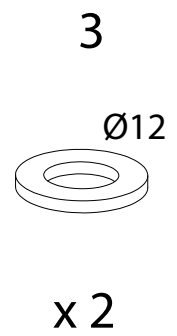
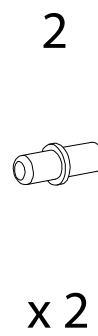
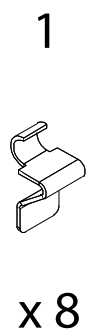
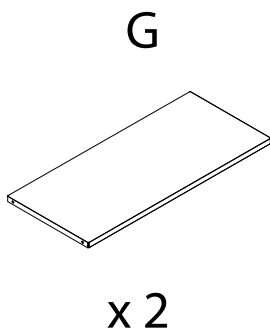
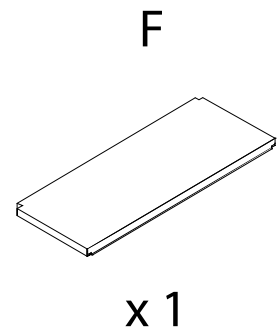
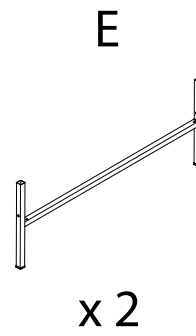
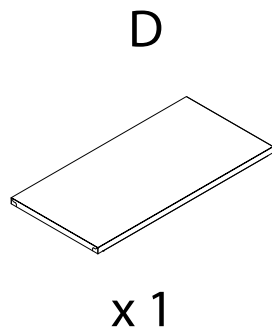
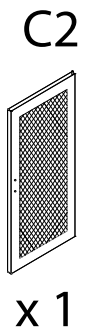
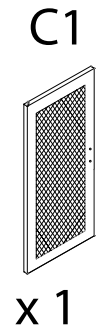
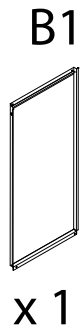
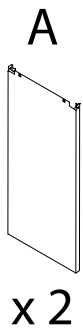


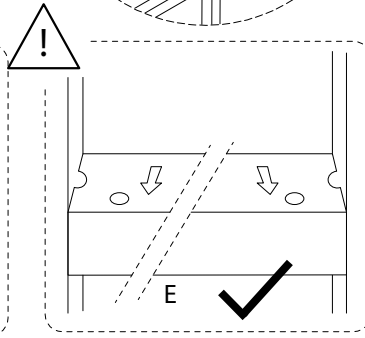
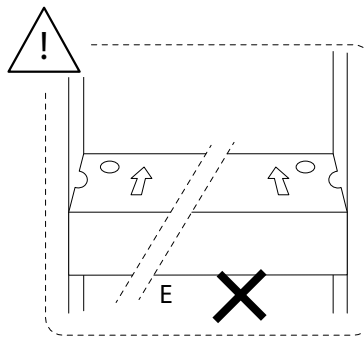
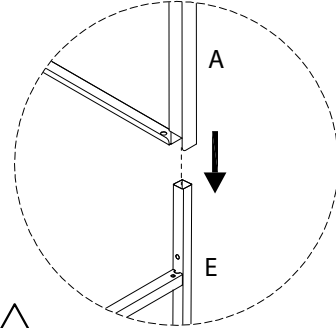
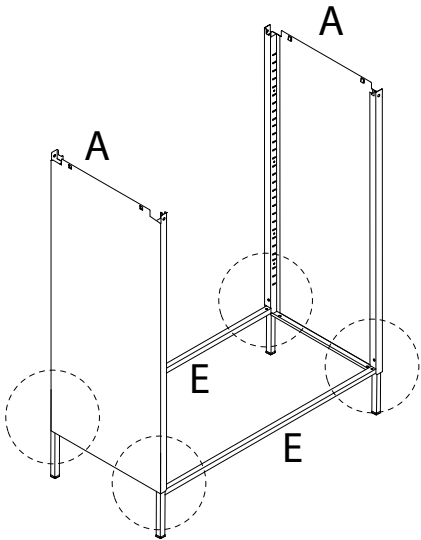
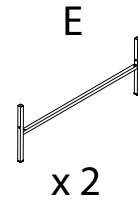
Diagram illustrating assembly instructions and safety warnings:

- Top Section:** A box containing a screwdriver icon and a crossed-out power drill icon, with a warning triangle (exclamation mark) to its right. Below this box is a clock icon and the text "40'".
- Bottom Section:** A box containing an icon of a block being placed on a mat and a crossed-out icon of a block being placed on a surface, with a warning triangle (exclamation mark) to its right. Below this box is a person icon and the text "1".

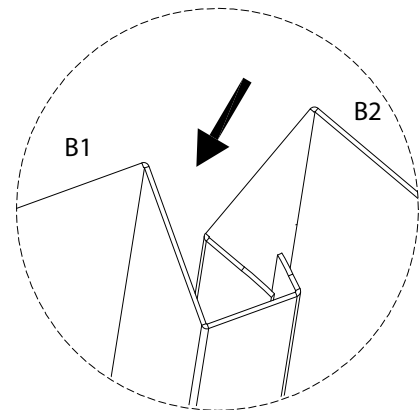
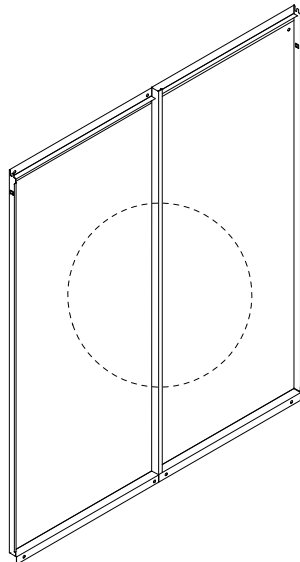




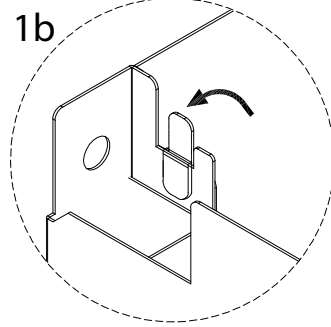
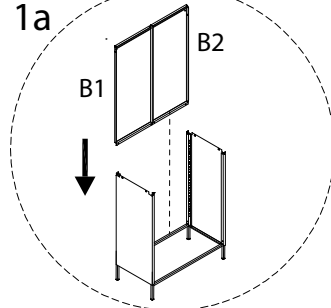
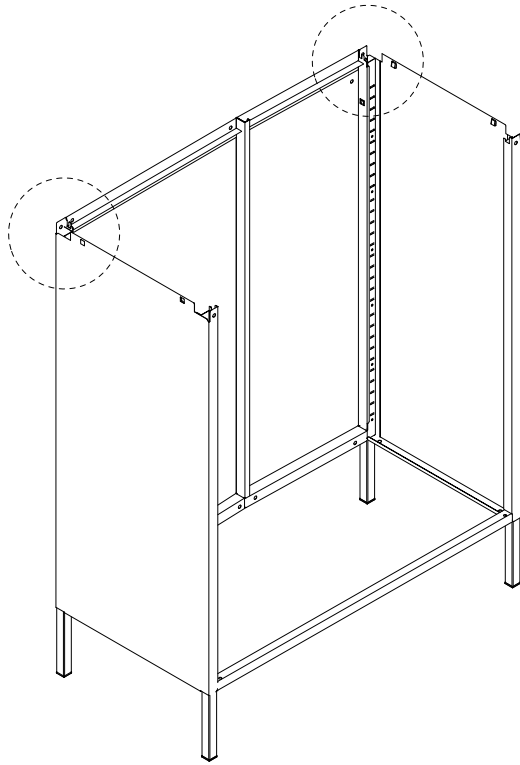
1



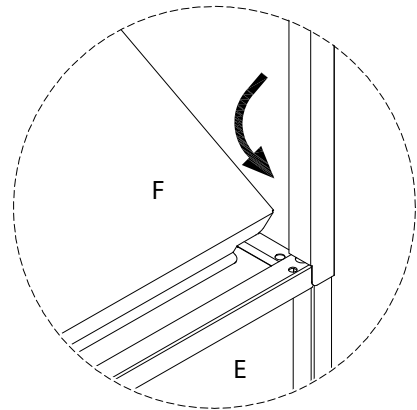
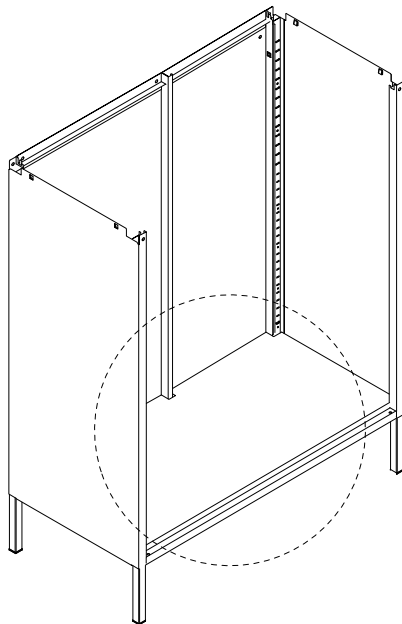
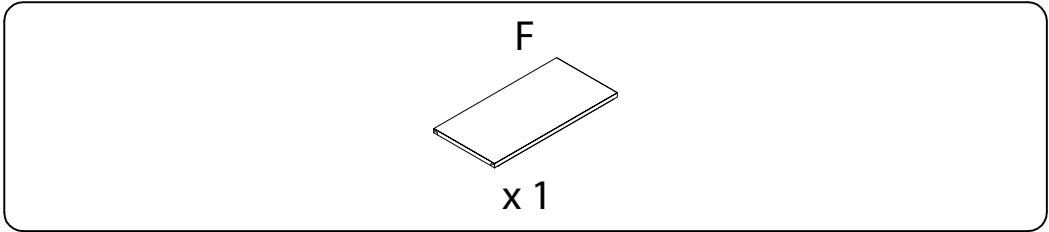
2



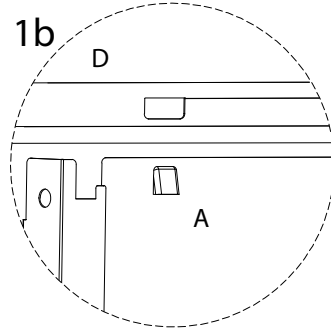
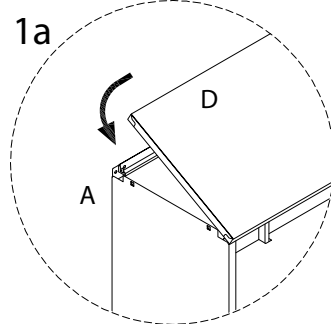
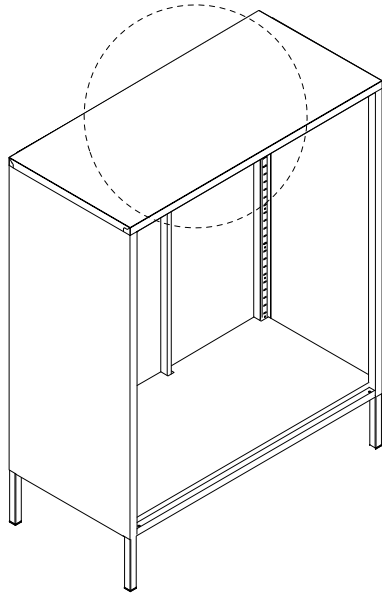
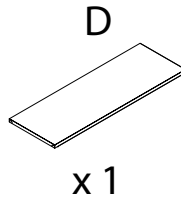
3



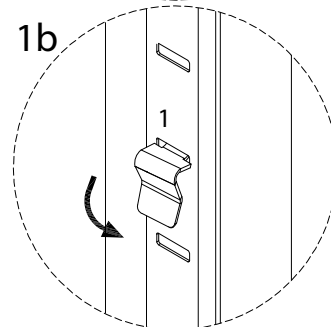
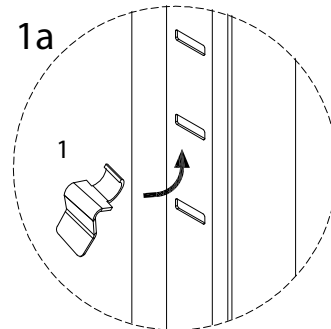
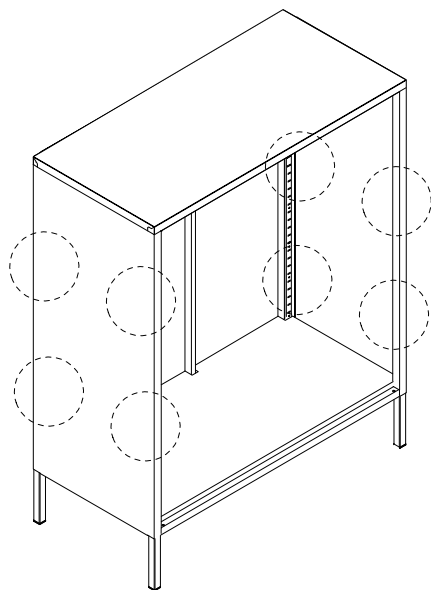
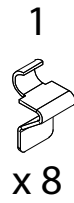
4



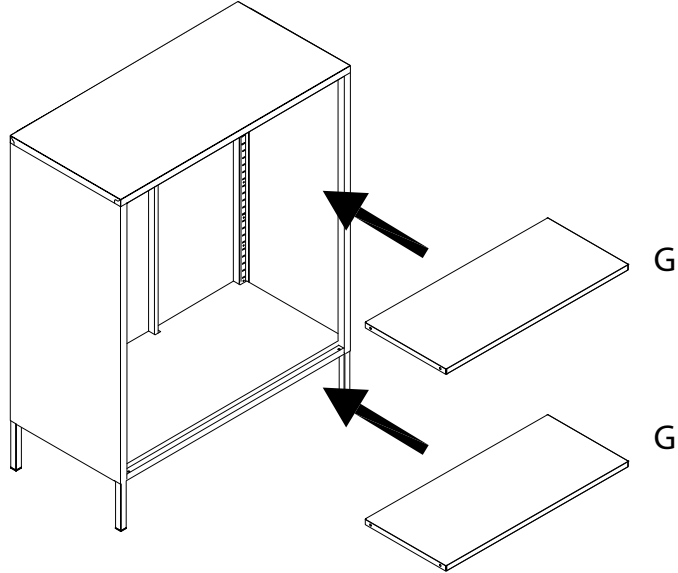
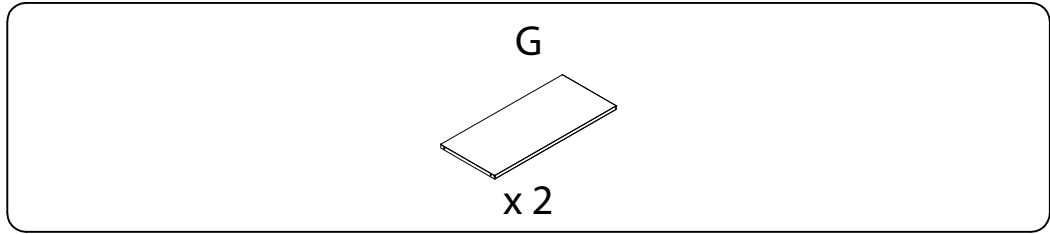
5



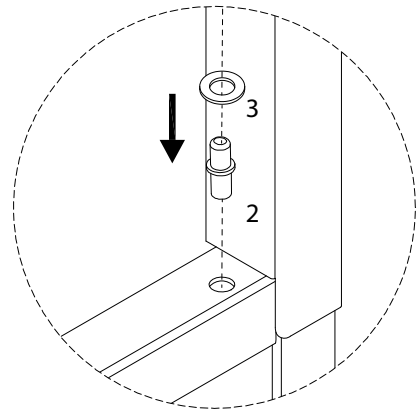
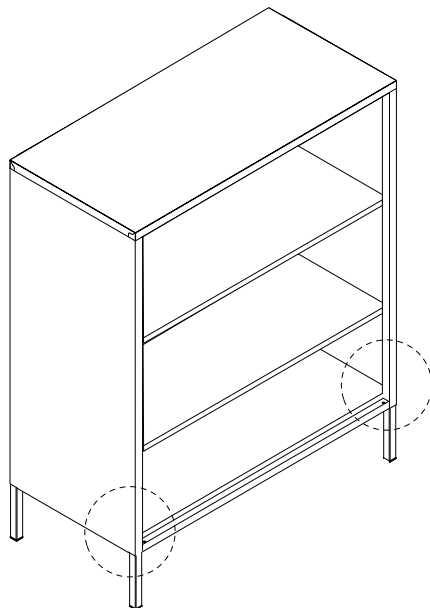
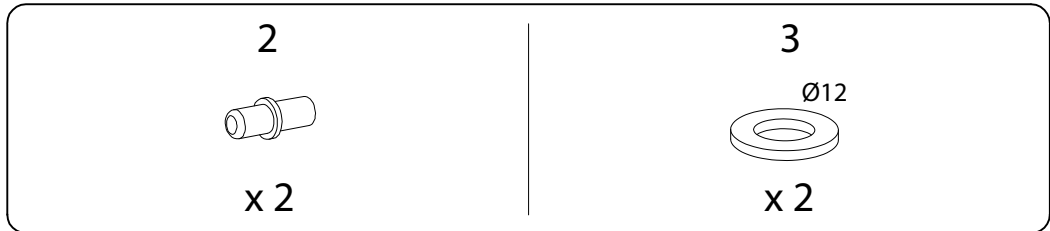
6



7

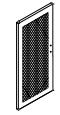


8



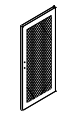
9

C1

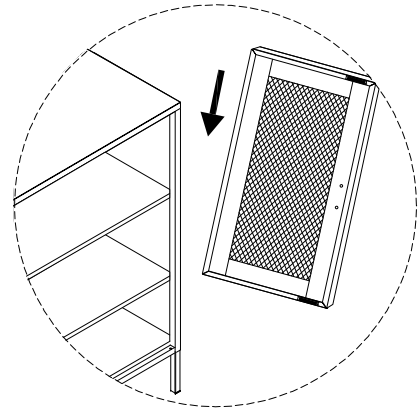
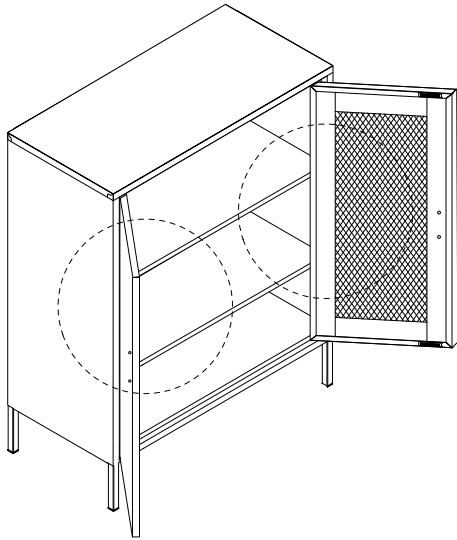


x 2

C2



x 2



10

4



x 4

5

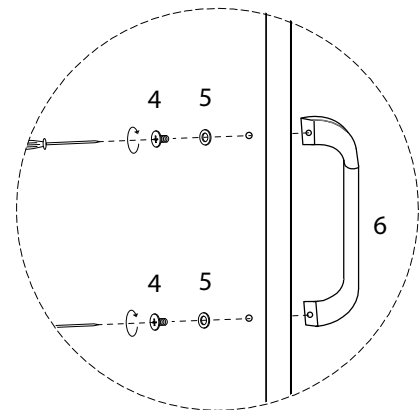
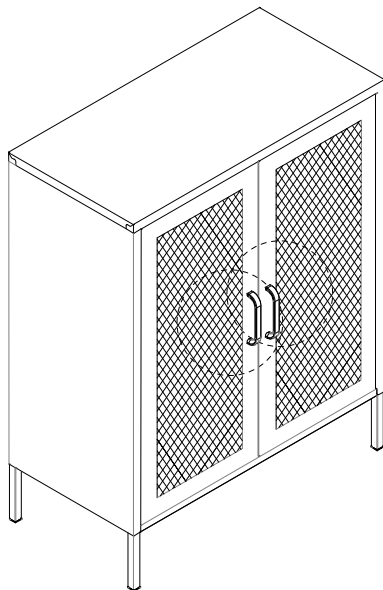


x 4

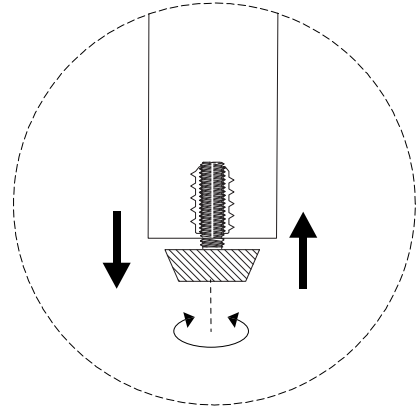
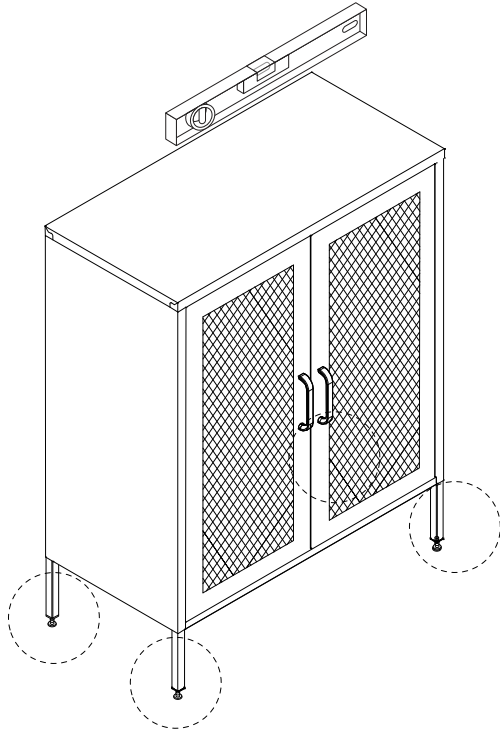
6



x 2



11



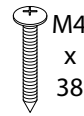
12

7



x 2

8



x 2

