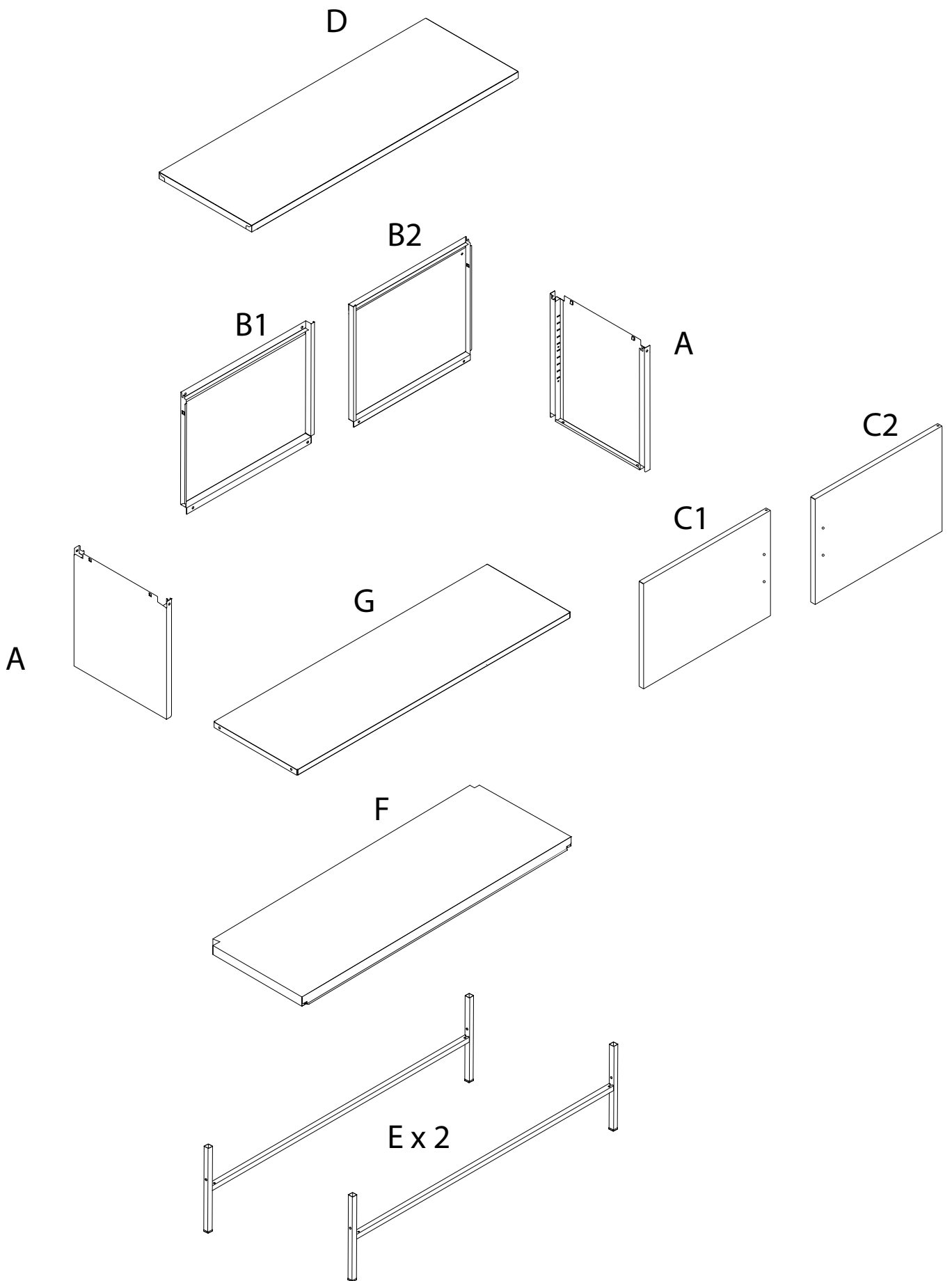
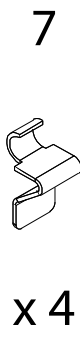
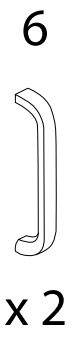
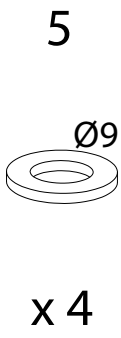
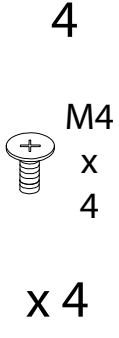
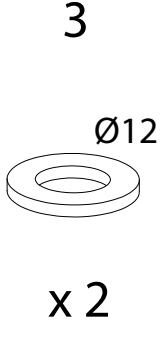
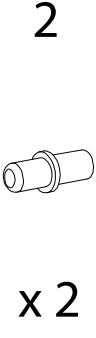
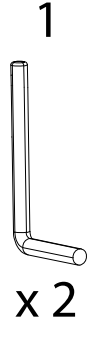
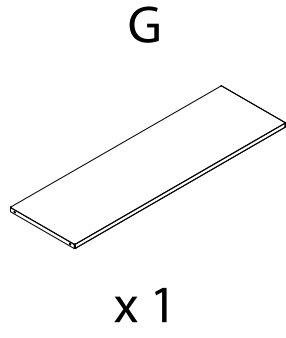
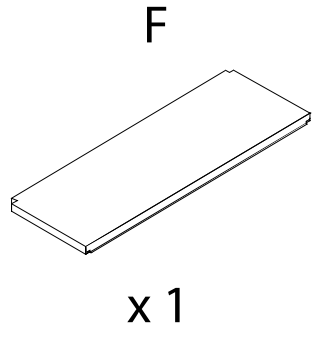
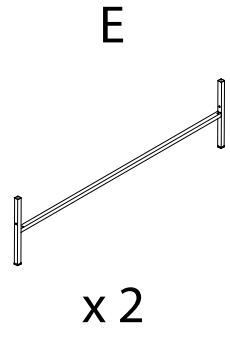
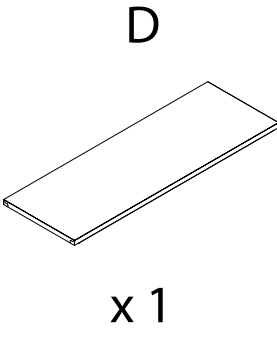
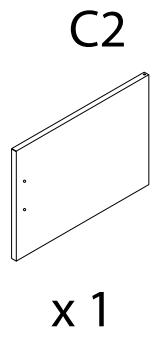
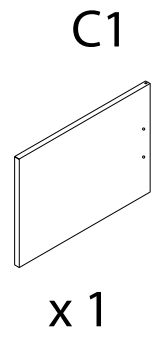
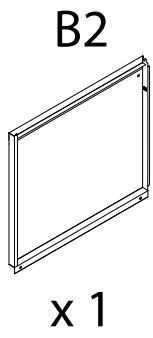
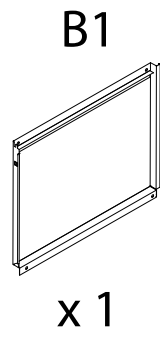
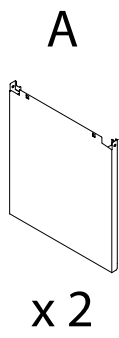


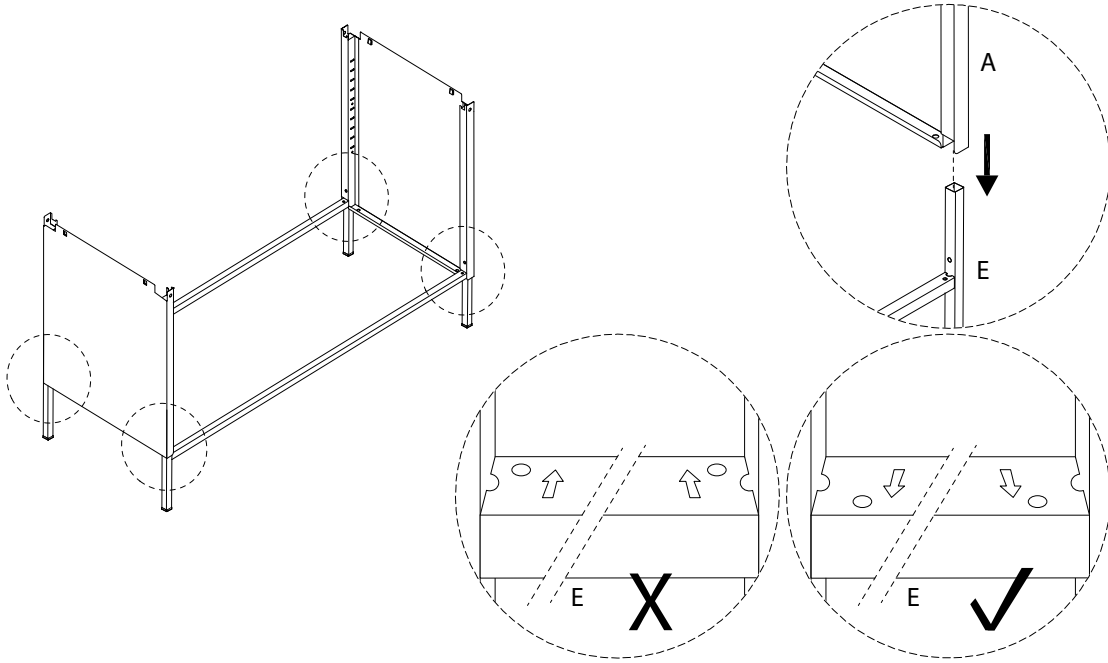
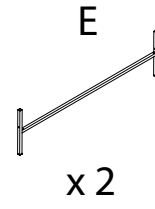
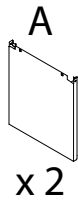
Assembly instructions for step 1/8:

- Tools:** A screwdriver is shown as the required tool. A power drill is shown with a diagonal line through it, indicating it is not to be used.
- Warning:** A warning triangle with an exclamation mark is present.
- Time:** A clock icon indicates that this step takes 40 minutes.
- Personnel:** An icon of a person indicates that one person is required for this step.

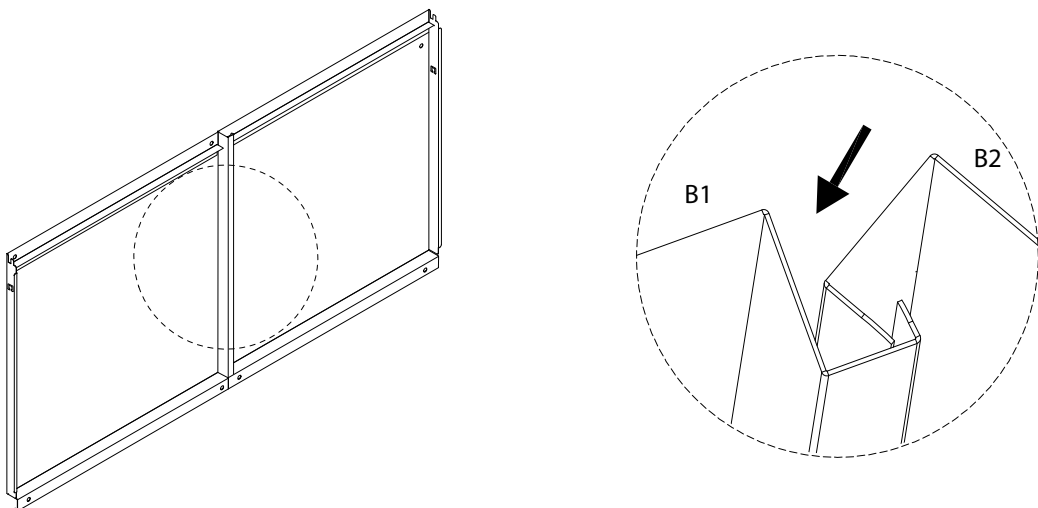
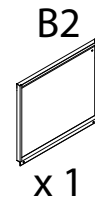
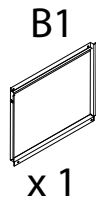




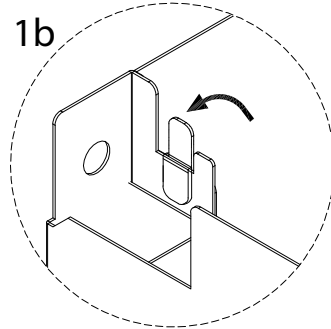
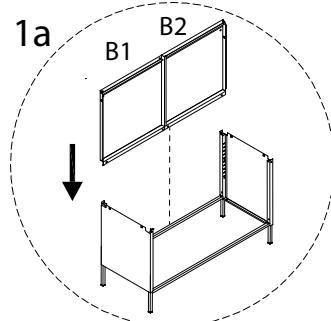
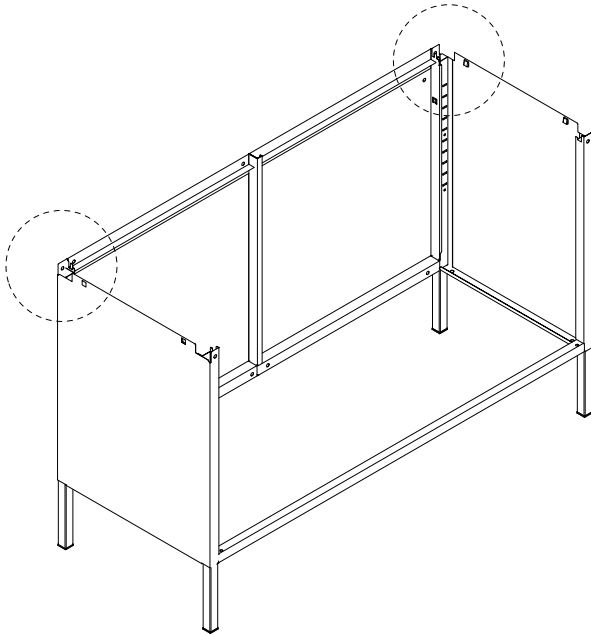
1



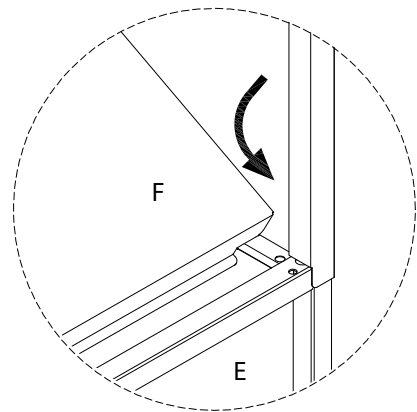
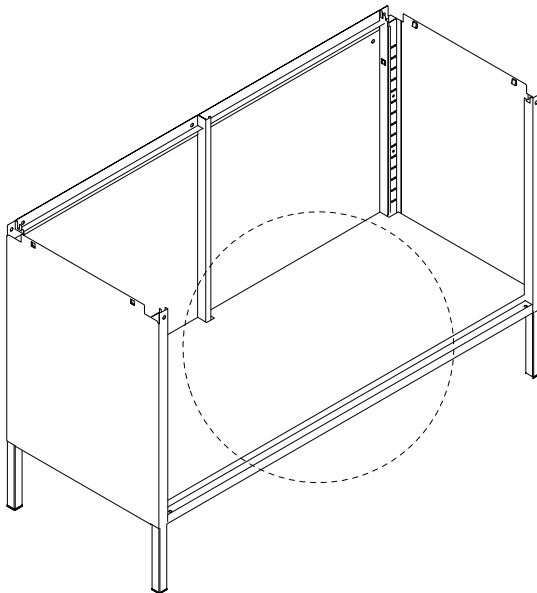
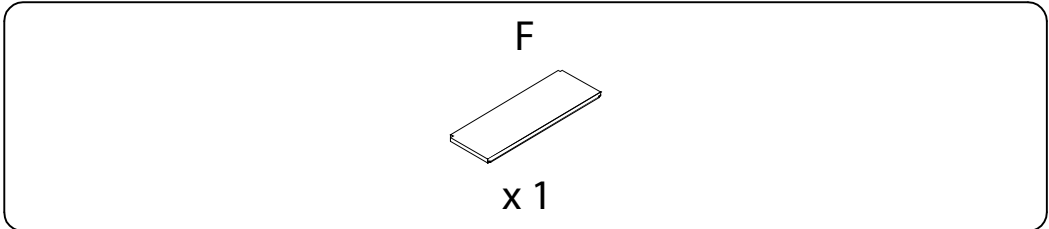
2



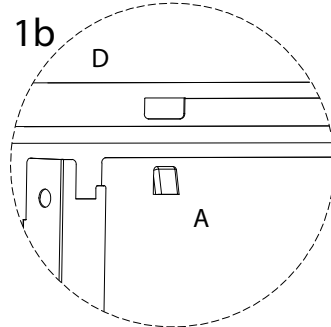
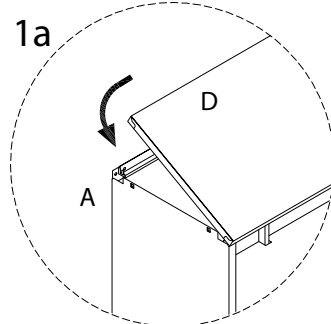
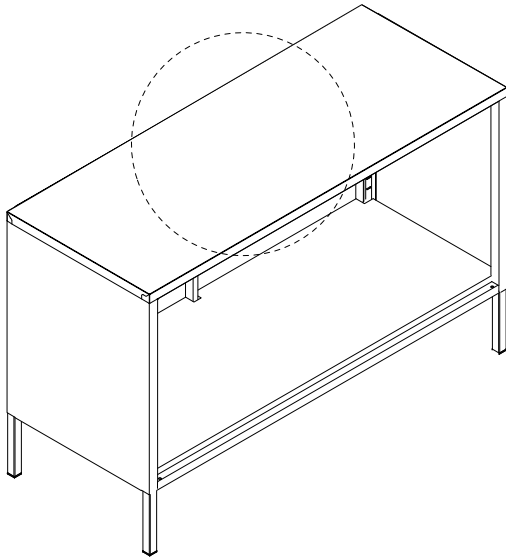
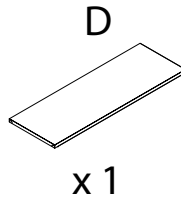
3



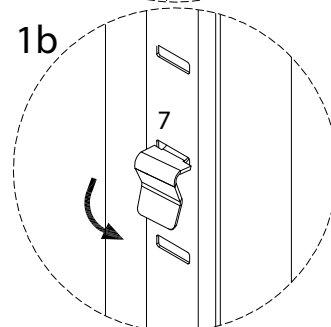
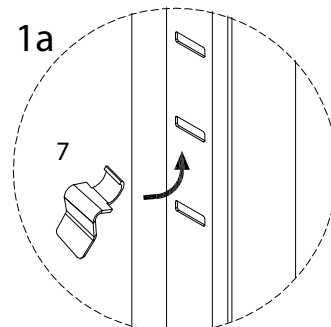
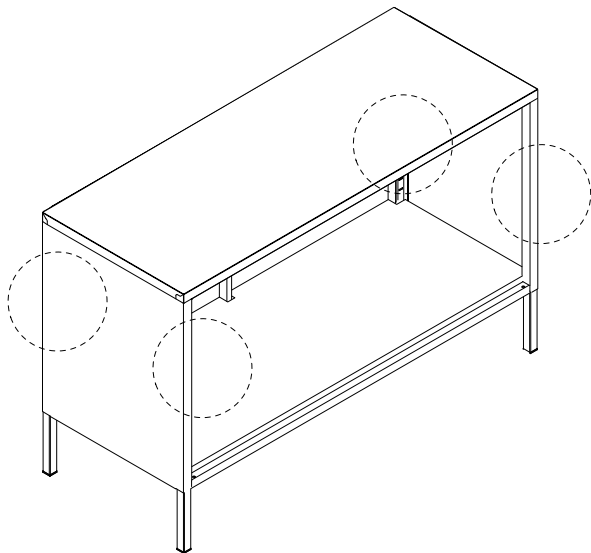
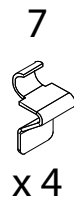
4



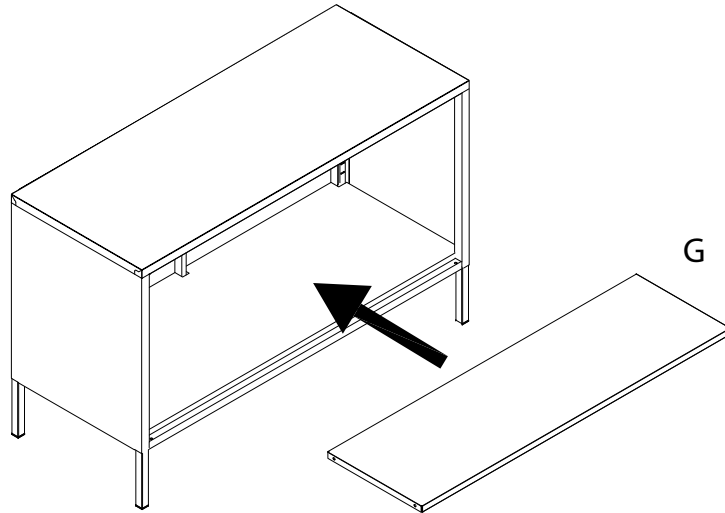
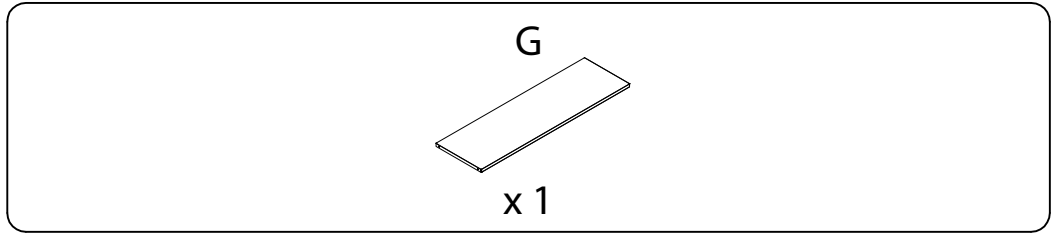
5



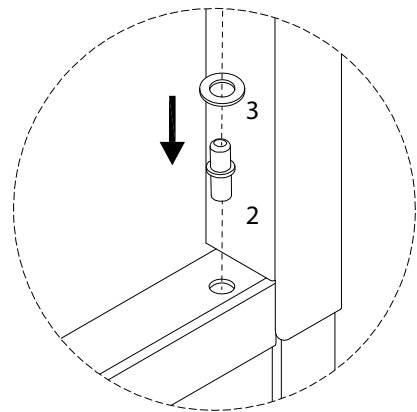
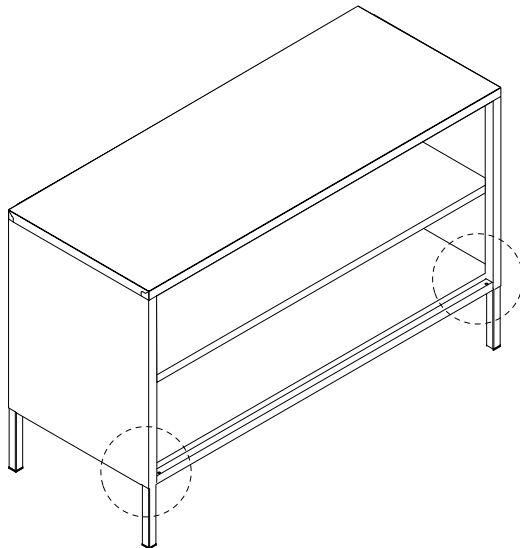
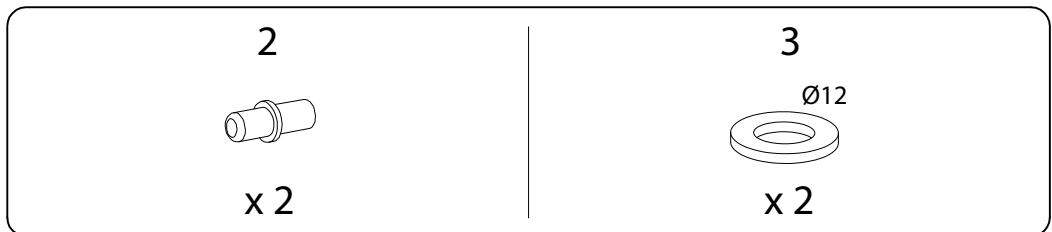
6



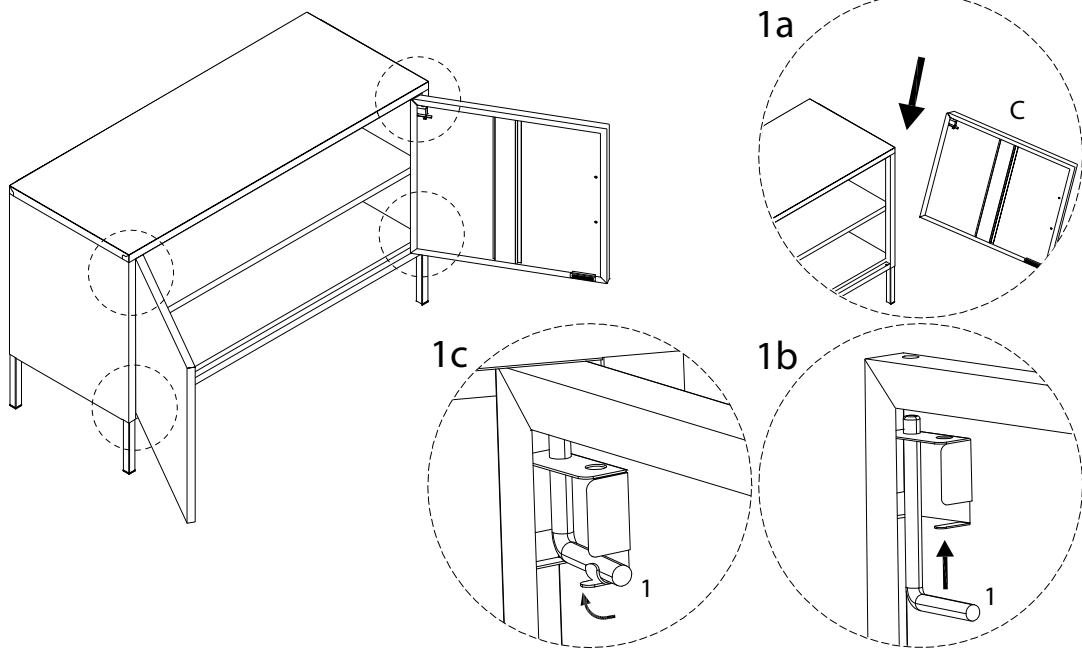
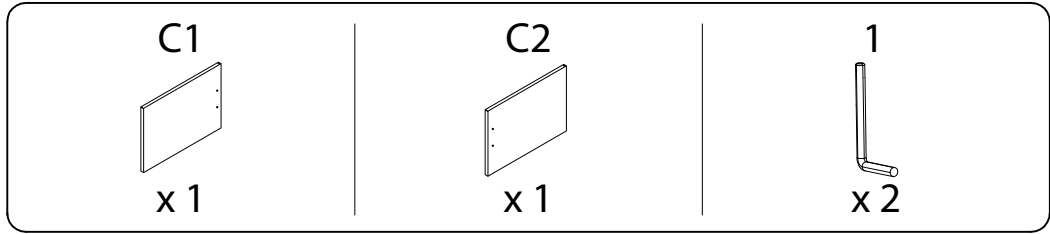
7



8



9



10

