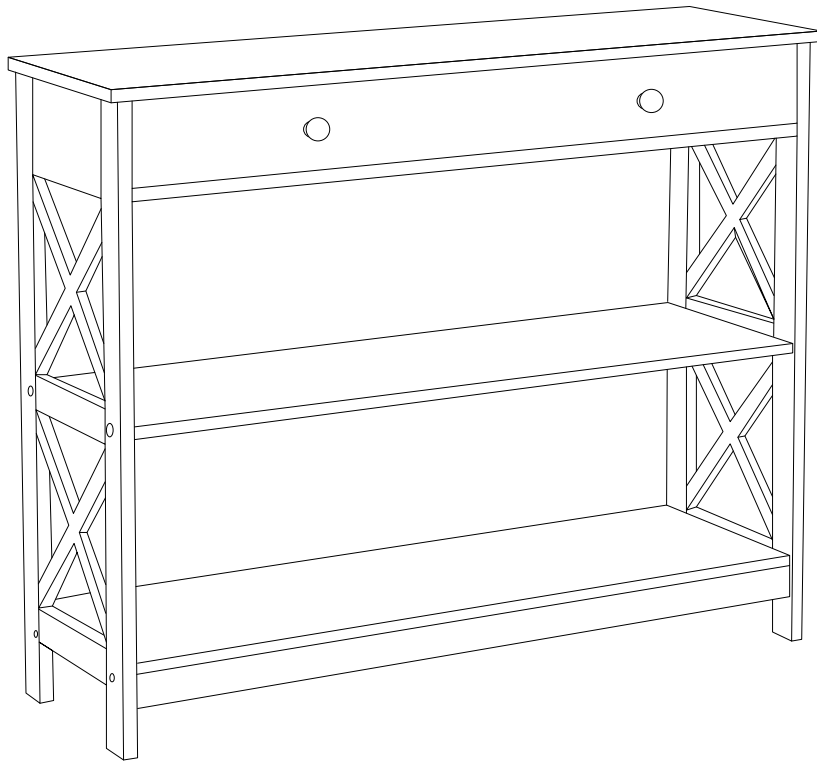
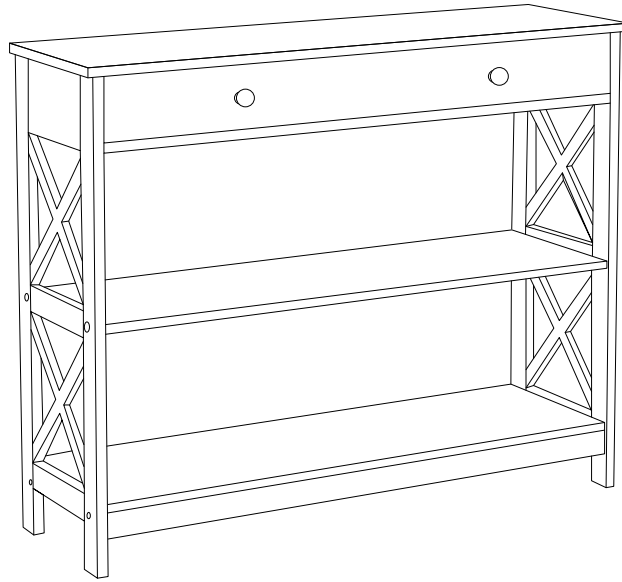
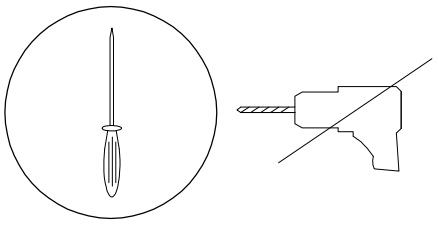

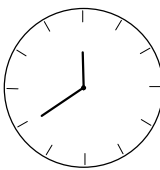
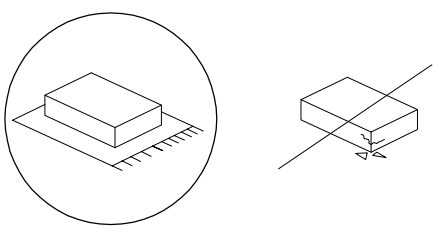

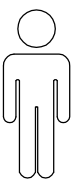
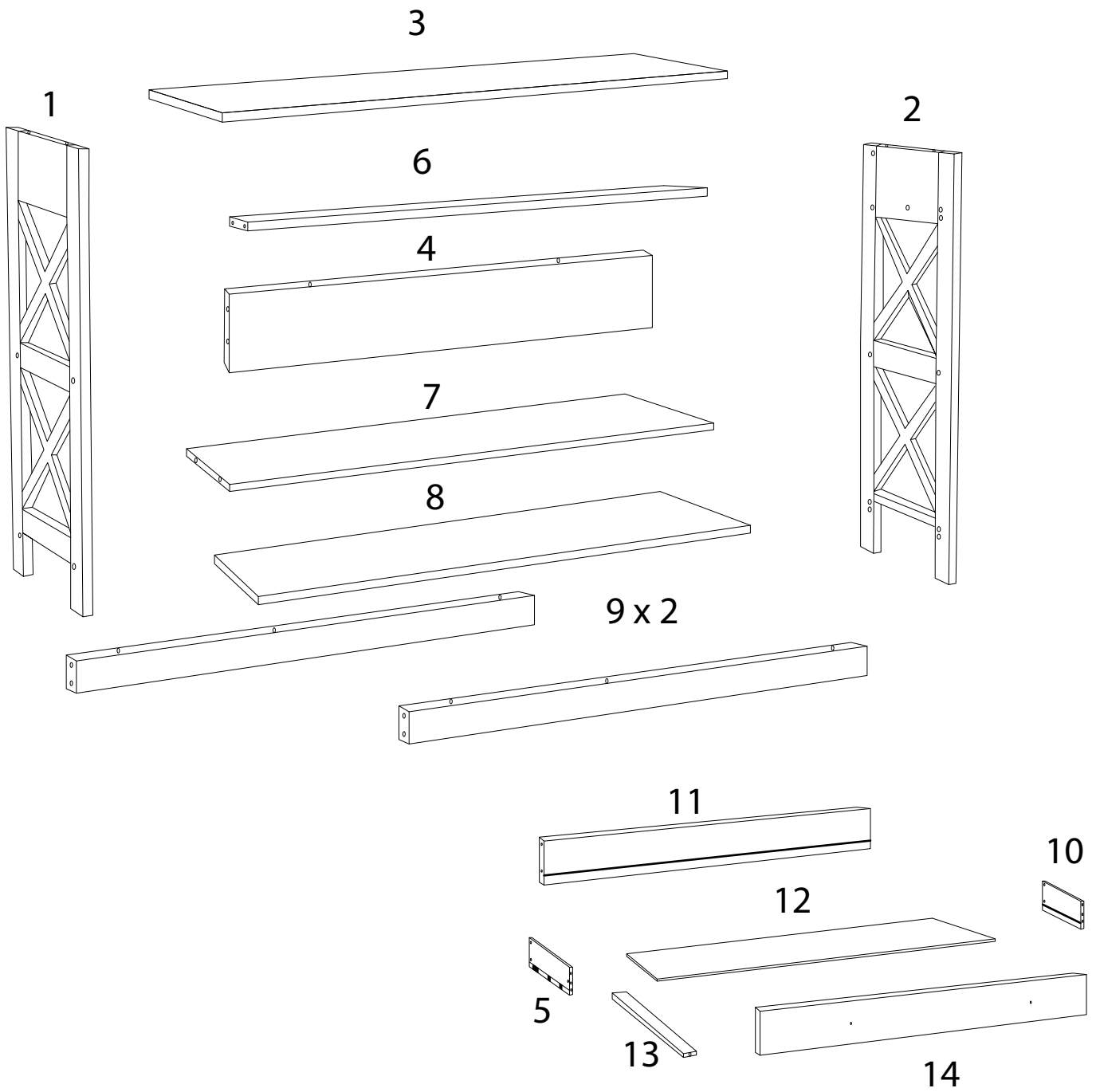


MONTGOMERY

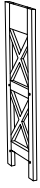




| | | |
|-------------------------------------------------------------------------------------|-------------------------------------------------------------------------------------|---------------------------------------------------------------------------------------|
|  |  |  |
|  |  | 40' |
| | |  |
| | | 1 |

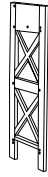


1



x 1

2



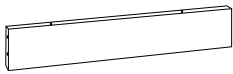
x 1

3



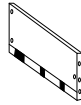
x 1

4



x 1

5



x 1

6



x 1

7



x 1

8



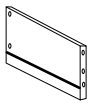
x 1

9



x 2

10



x 1

11



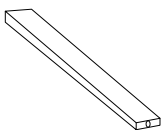
x 1

12



x 1

13



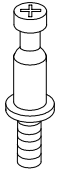
x 1

14



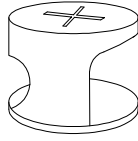
x 1

A



x 17

B



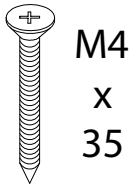
x 17

C



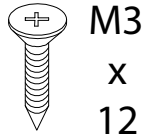
x 4

D



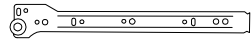
x 13

E



x 4

F



x 1

G



x 1

H



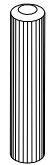
x 2

I



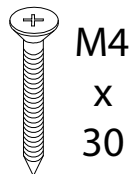
x 2

J



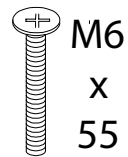
x 4

K



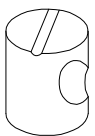
x 2

L



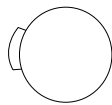
x 8

M



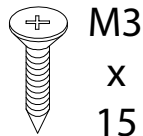
x 8

N



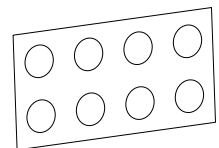
x 2

O



x 2

P



x 8

1

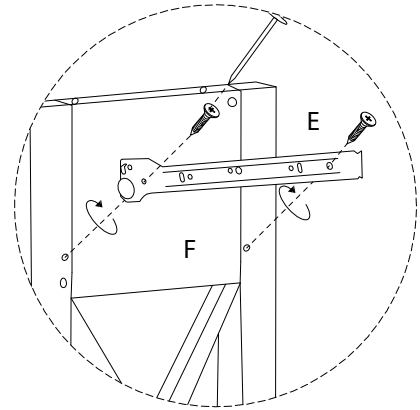
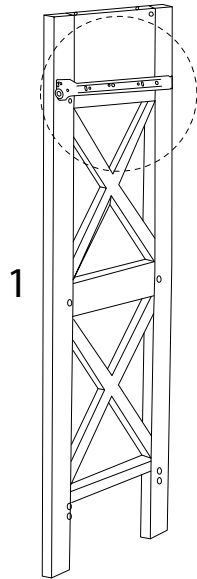
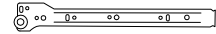
1
x1



E
M3
x
12
x2



F
x1



2

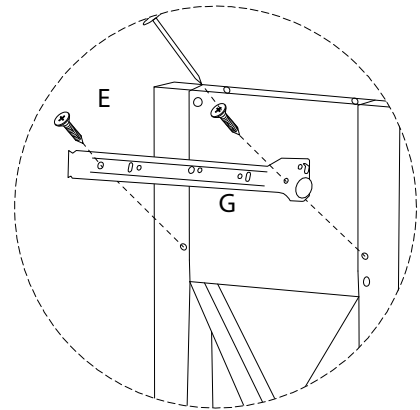
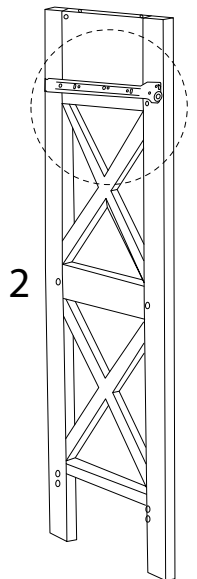
2
x1



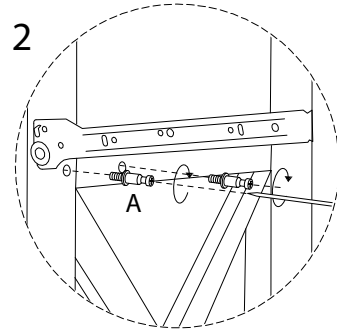
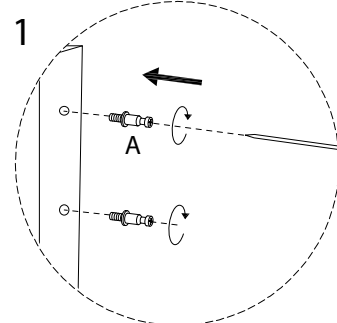
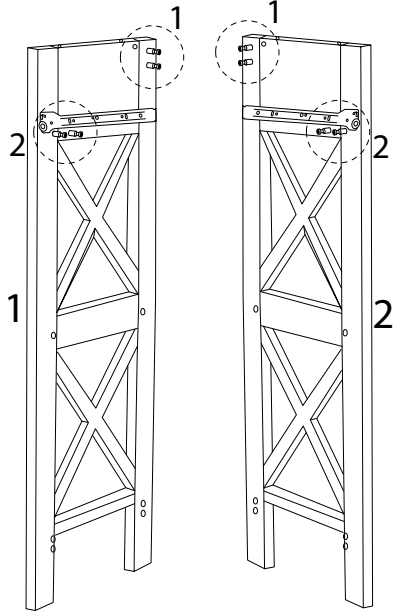
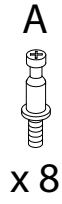
E
M3
x
12
x2



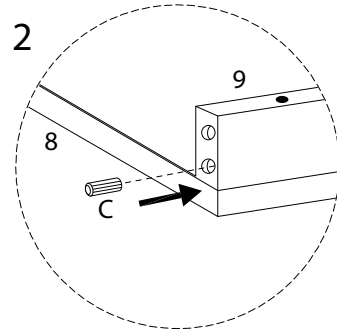
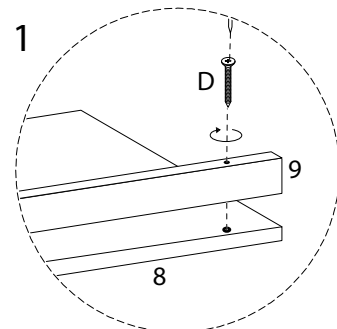
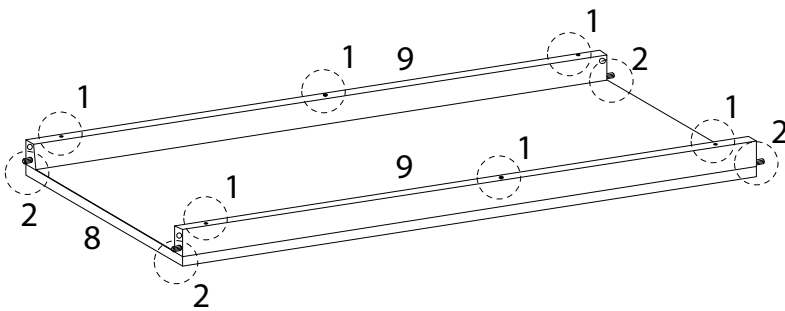
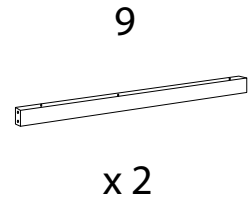
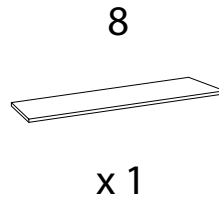
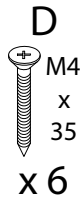
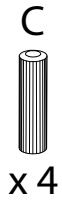
G
x1



3



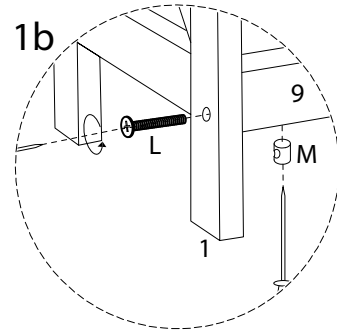
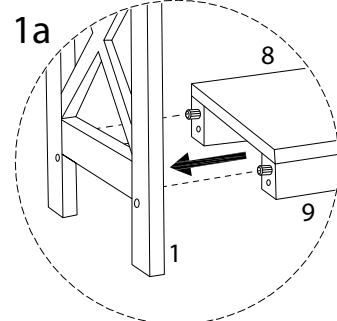
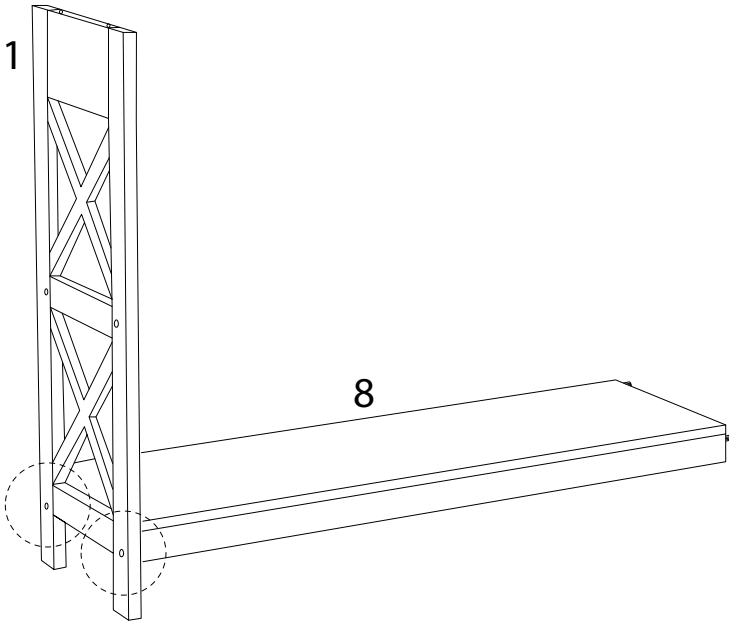
4



5

L
M6
x
55
x 2

M
x 2

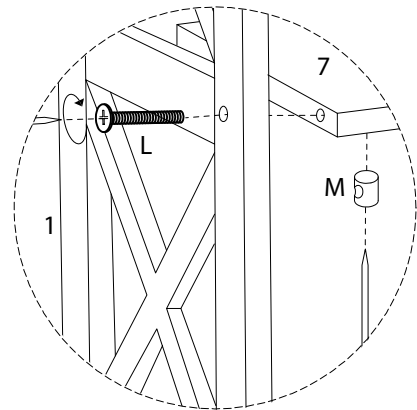
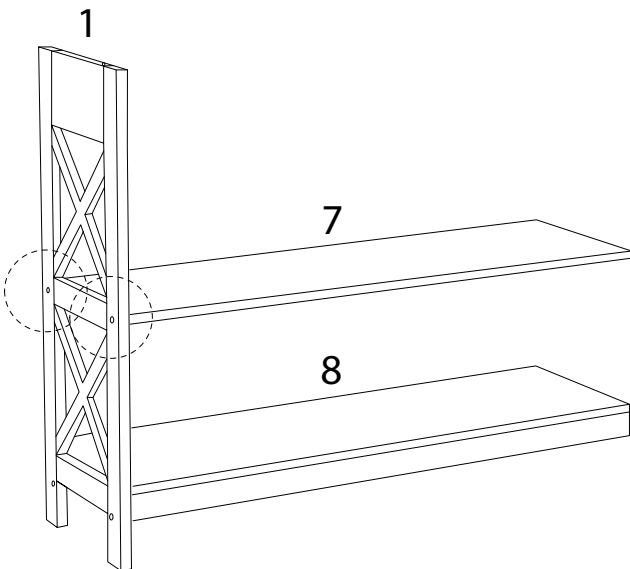


6

L
M6
x
55
x 2

M
x 2

7
x 1



7

B

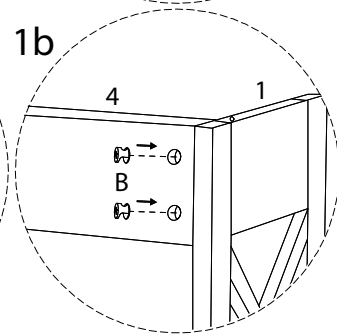
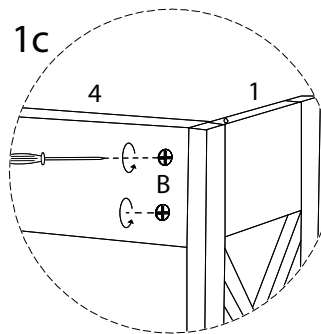
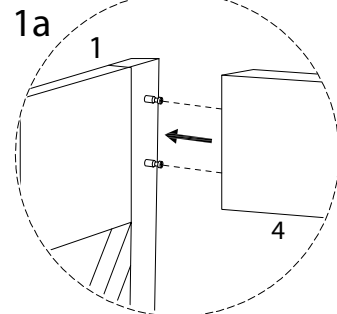
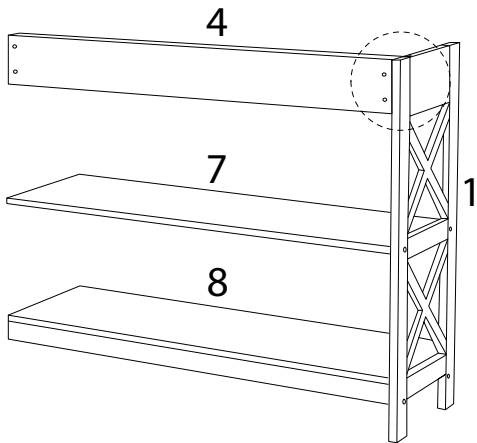


x 2

4



x 1



8

B

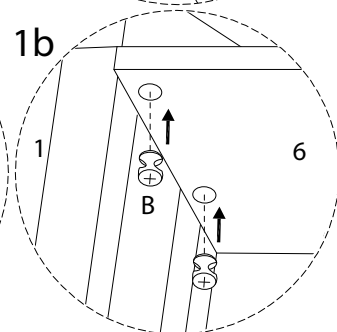
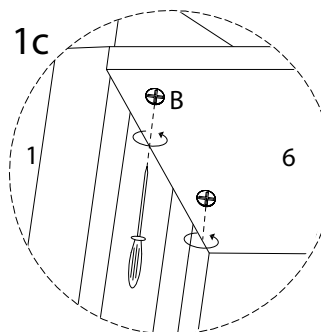
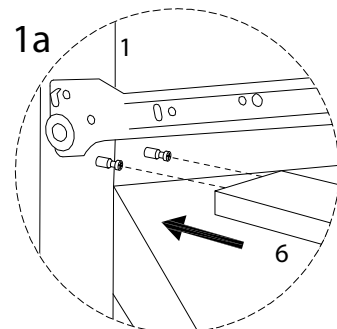
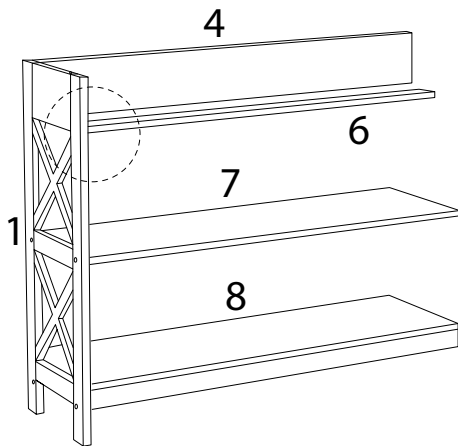


x 2

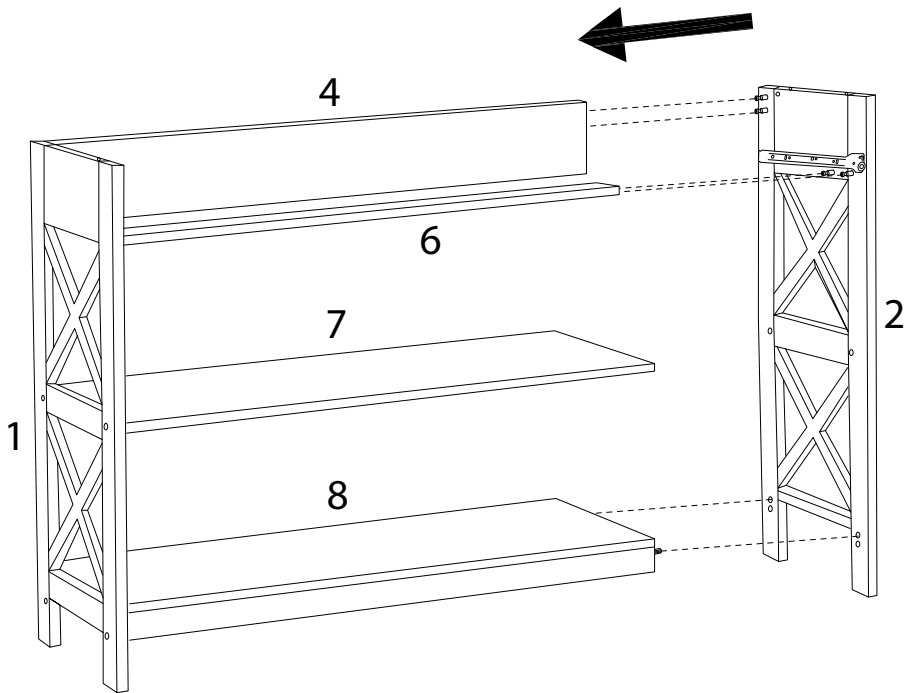
6



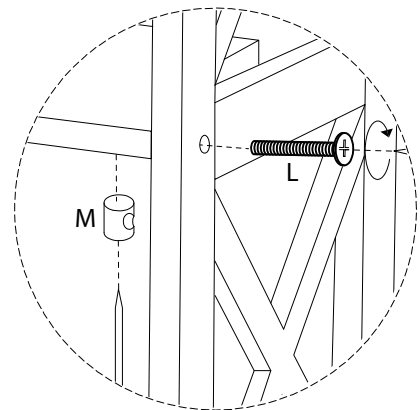
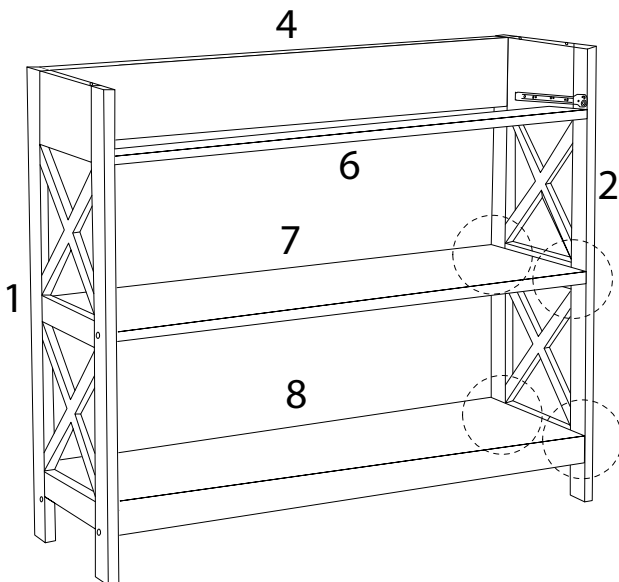
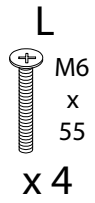
x 1



9



10

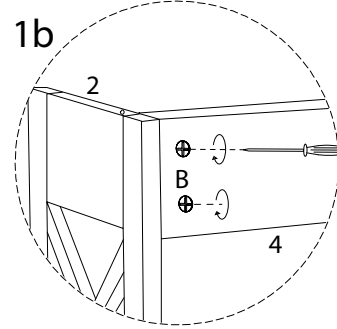
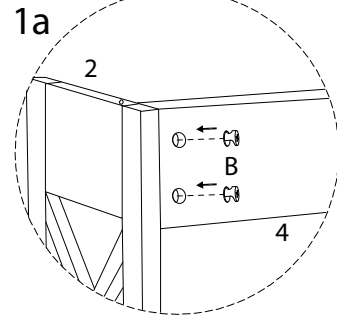
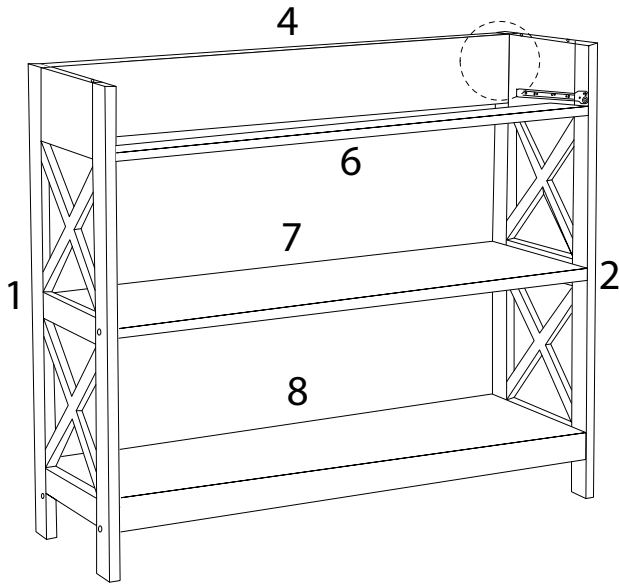


11

B



x 2

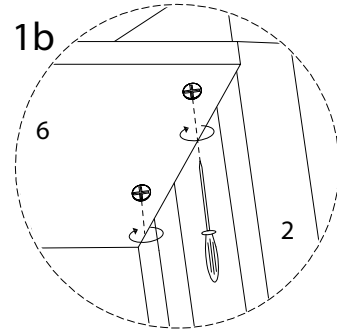
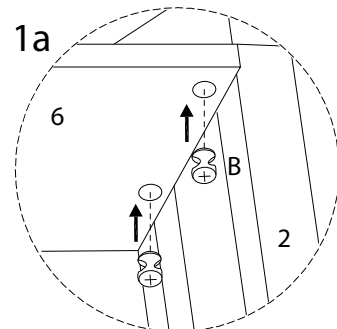
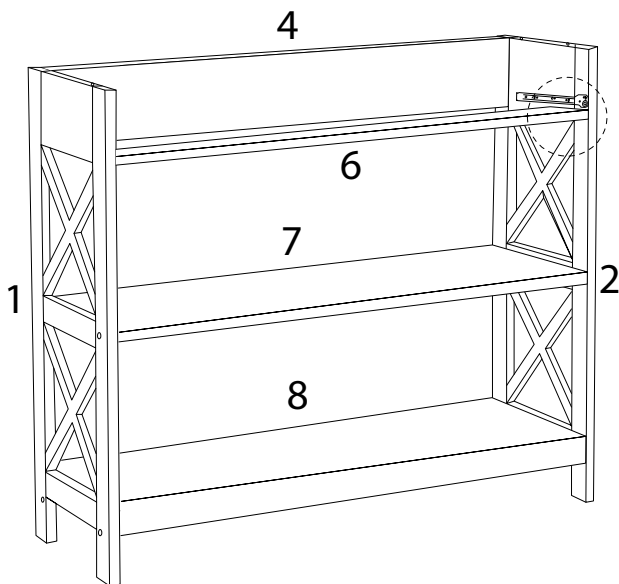


12

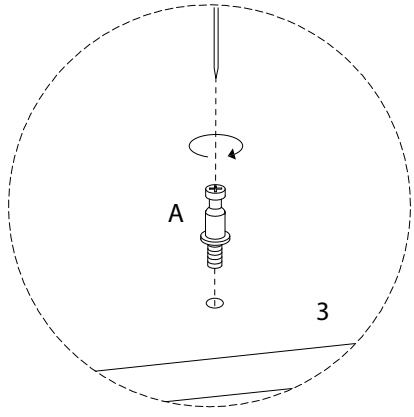
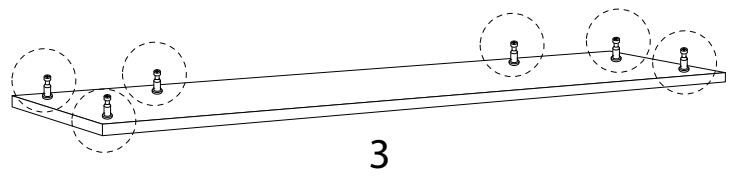
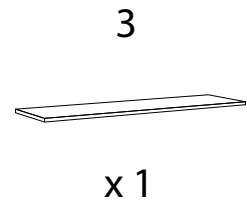
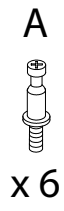
B



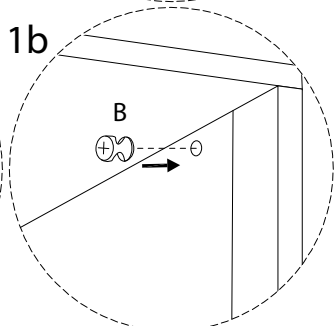
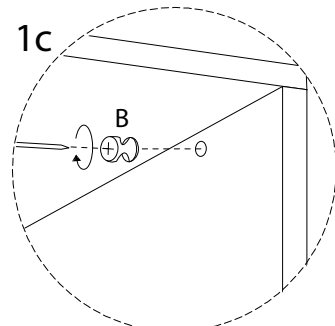
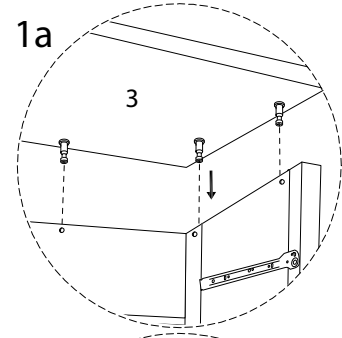
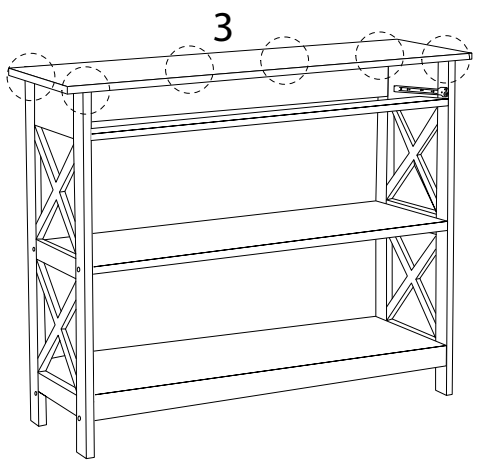
x 2



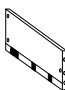
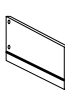

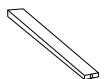
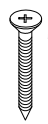
13

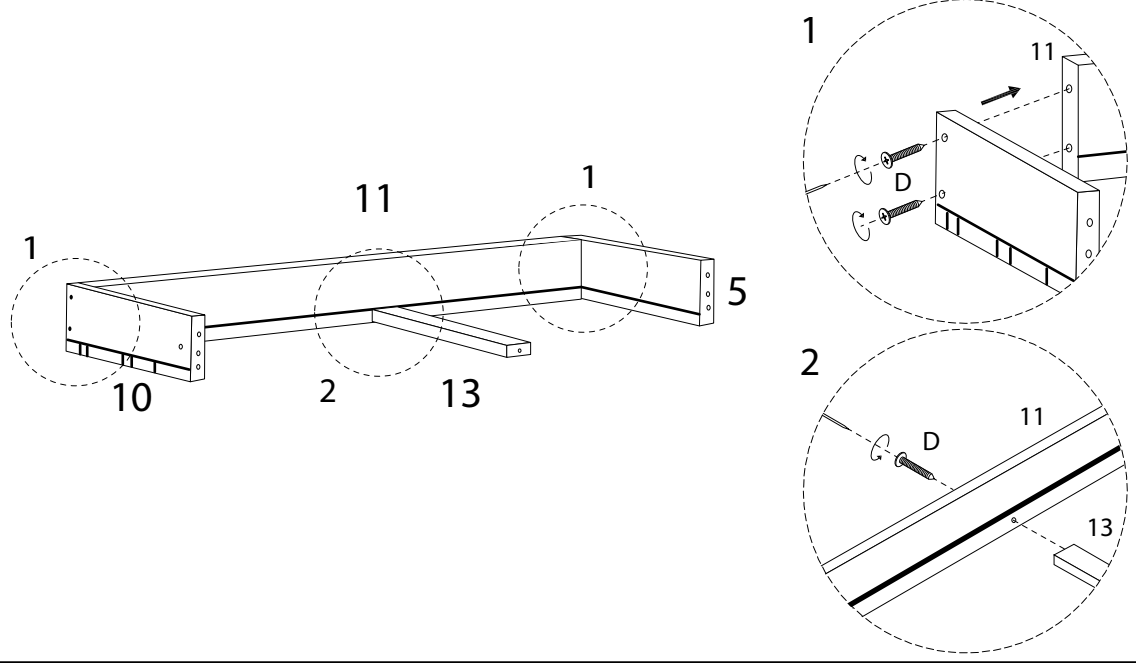


14




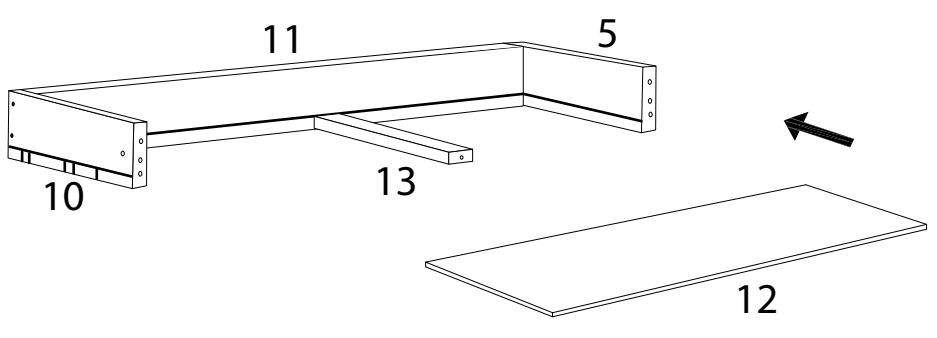
15

| | | | | |
|-------------------------------------------------------------------------------------------------------|--------------------------------------------------------------------------------------------------------|--------------------------------------------------------------------------------------------------------|----------------------------------------------------------------------------------------------------------|-----------------------------------------------------------------------------------------------------------------------------|
| <p>5</p>  <p>x 1</p> | <p>10</p>  <p>x 1</p> | <p>11</p>  <p>x 1</p> | <p>13</p>  <p>x 1</p> | <p>D</p>  <p>M4 x 35 x 5</p> |
|-------------------------------------------------------------------------------------------------------|--------------------------------------------------------------------------------------------------------|--------------------------------------------------------------------------------------------------------|----------------------------------------------------------------------------------------------------------|-----------------------------------------------------------------------------------------------------------------------------|

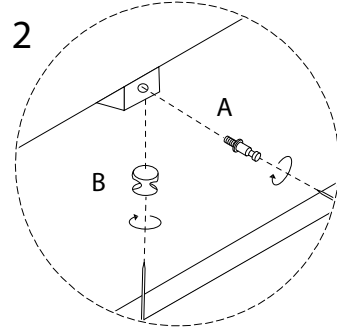
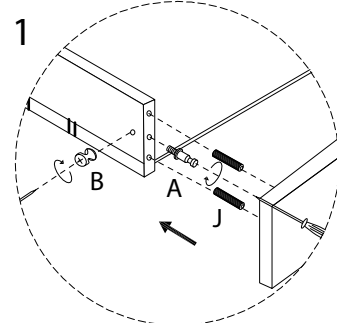
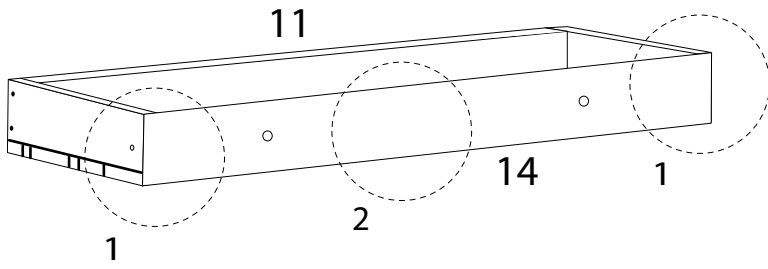
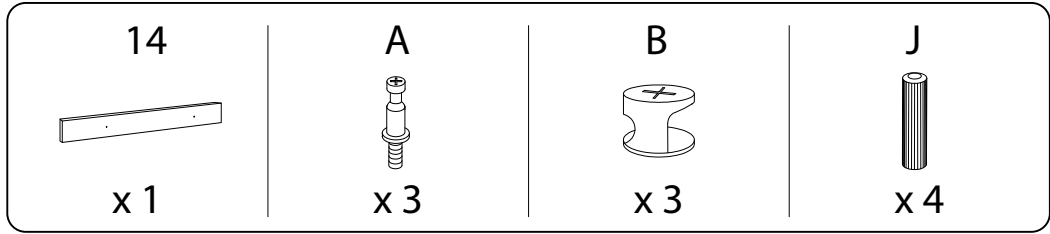


16

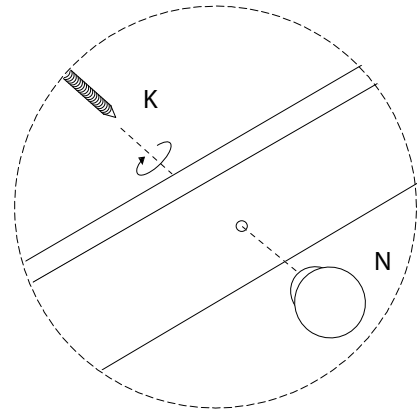
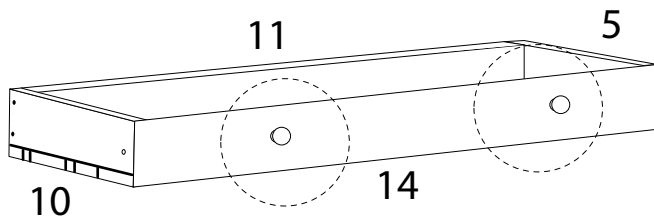
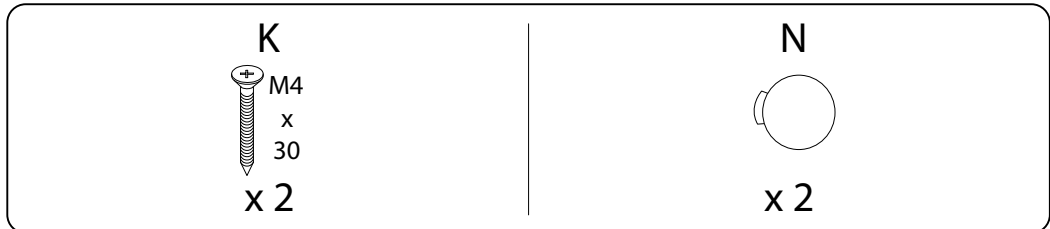
| |
|-----------------------------------------------------------------------------------------------------------|
| <p>12</p>  <p>x 1</p> |
|-----------------------------------------------------------------------------------------------------------|



17

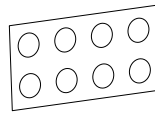


18

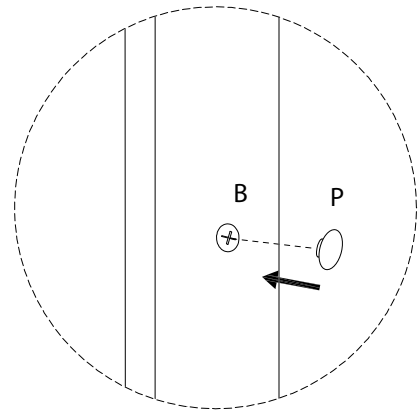
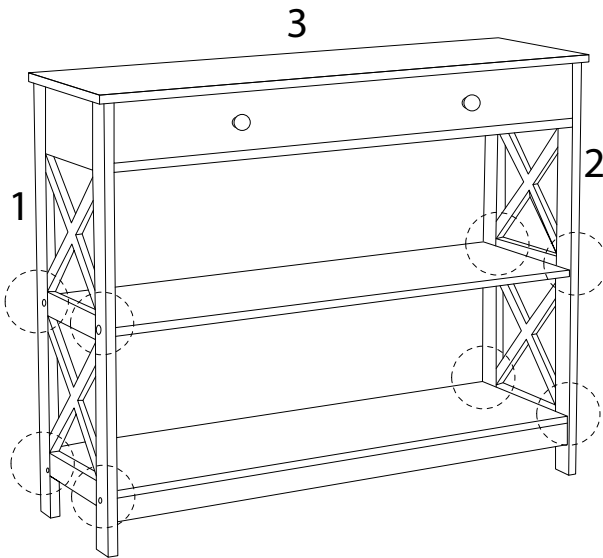


19

P

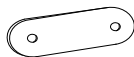


x 8



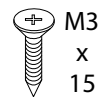
20

I

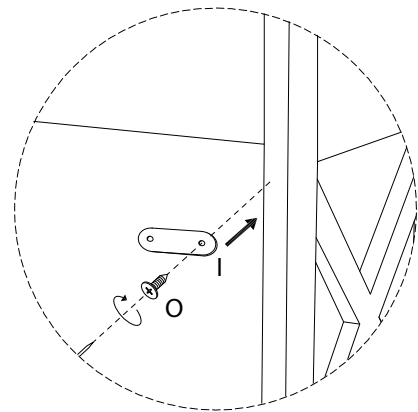
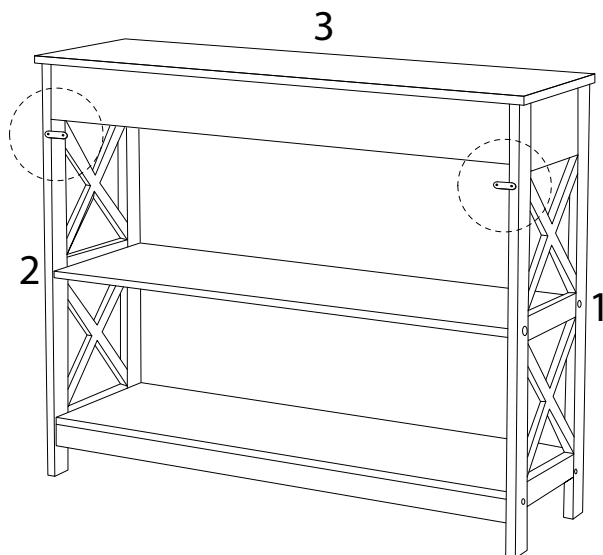


x 2

O



x 2



21

