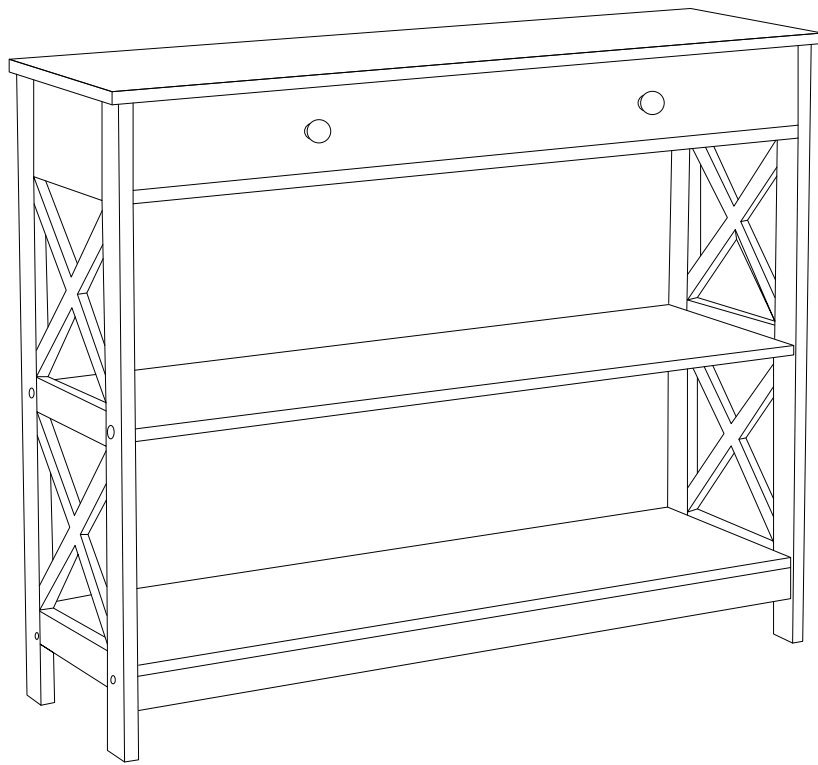
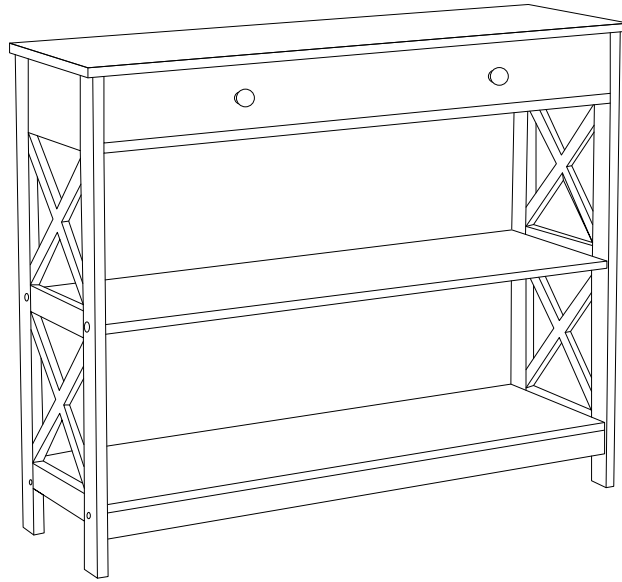
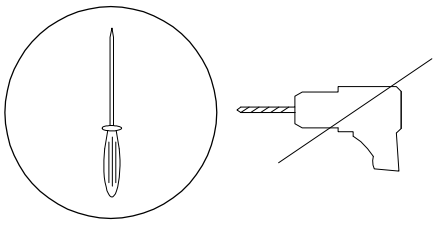

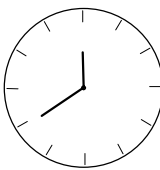
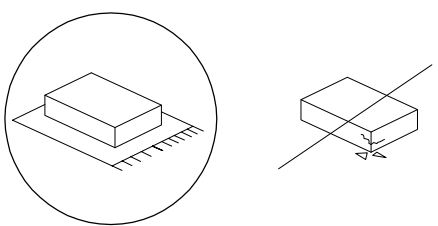

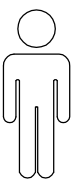
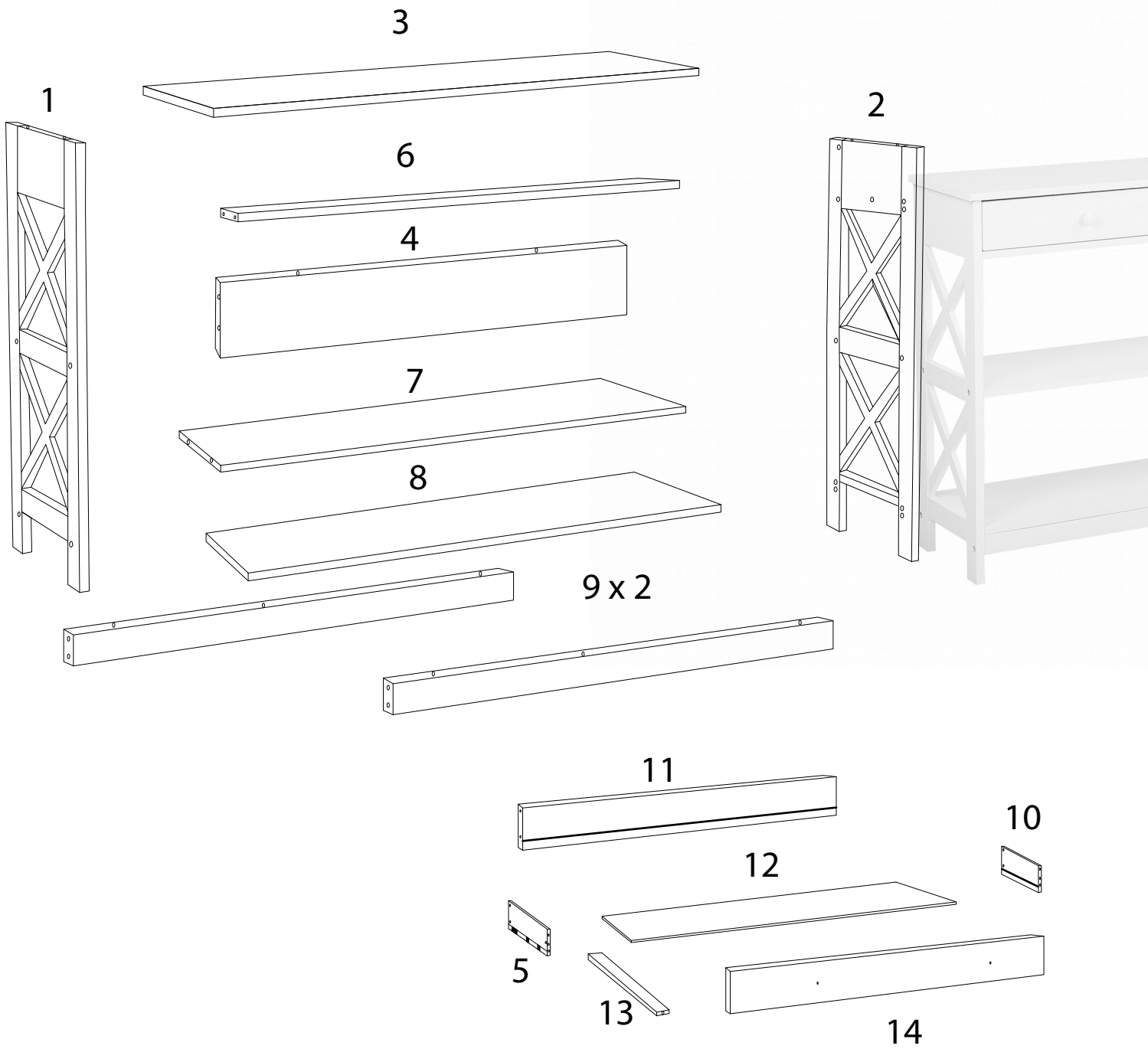


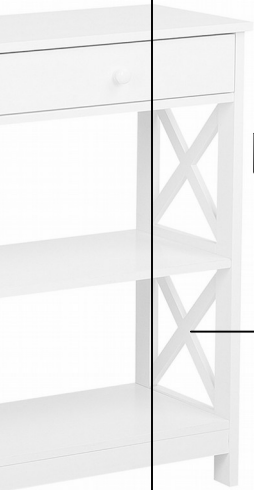
MONTGOMERY



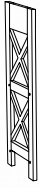


		
		40'
		
		1



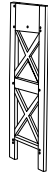


1



x 1

2



x 1

3



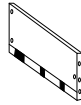
x 1

4



x 1

5



x 1

6



x 1

7



x 1

8



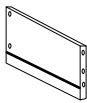
x 1

9



x 2

10



x 1

11



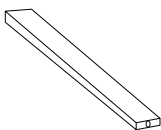
x 1

12



x 1

13



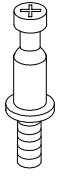
x 1

14



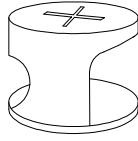
x 1

A



x 17

B



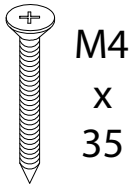
x 17

C



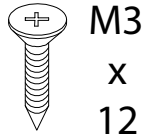
x 4

D



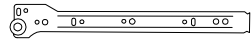
x 13

E



x 4

F



x 1

G



x 1

H



x 2

I



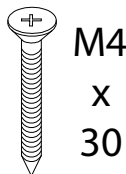
x 2

J



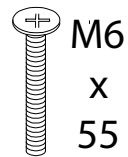
x 4

K



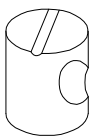
x 2

L



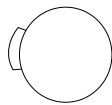
x 8

M



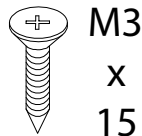
x 8

N



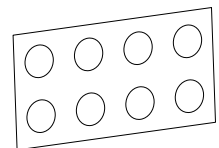
x 2

O




x 2

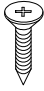
P




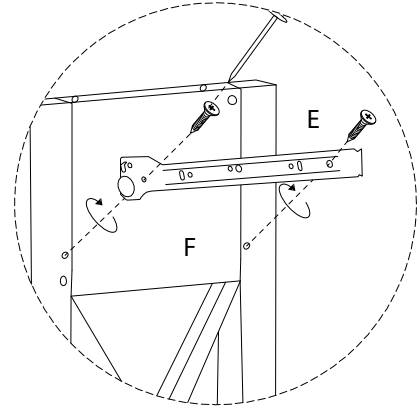
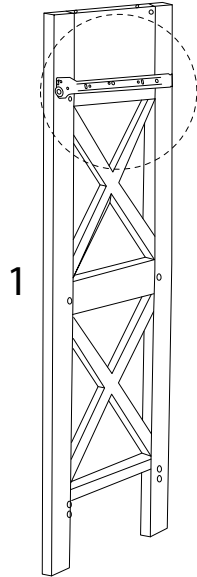
x 8

1


1

x 1

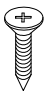
E

M3
x
12
x 2

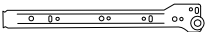
F

x 1

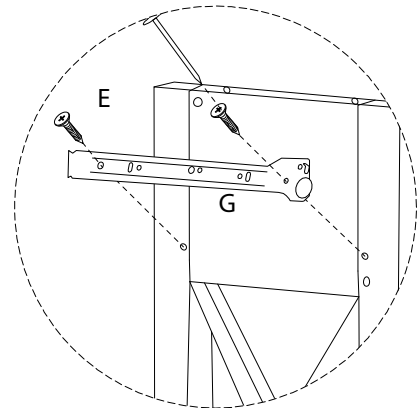
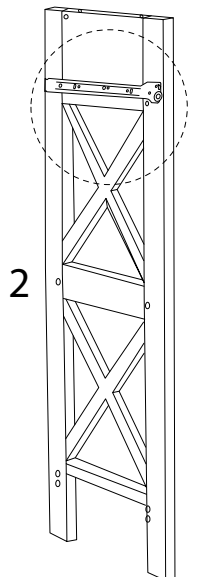


2

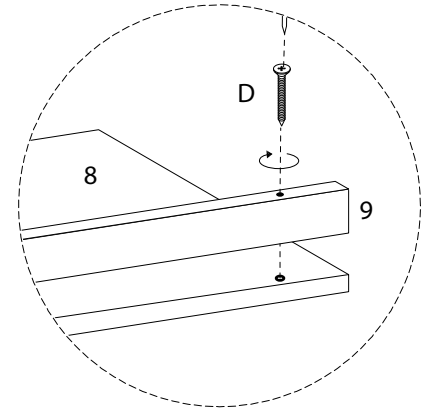
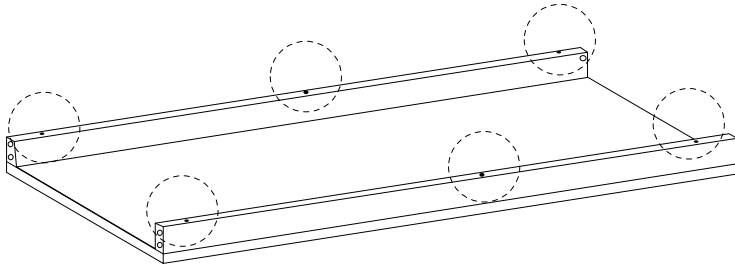
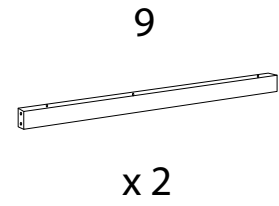
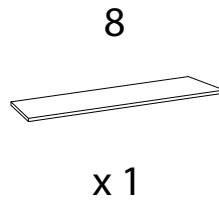
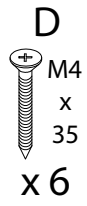
2

x 1

E

M3
x
12
x 2

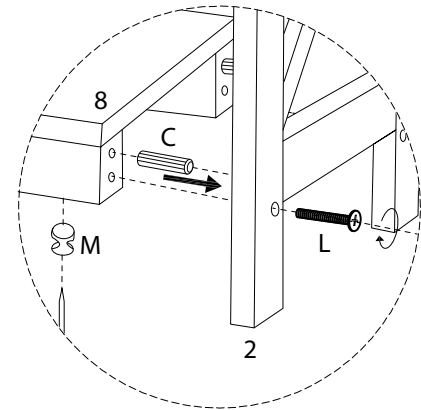
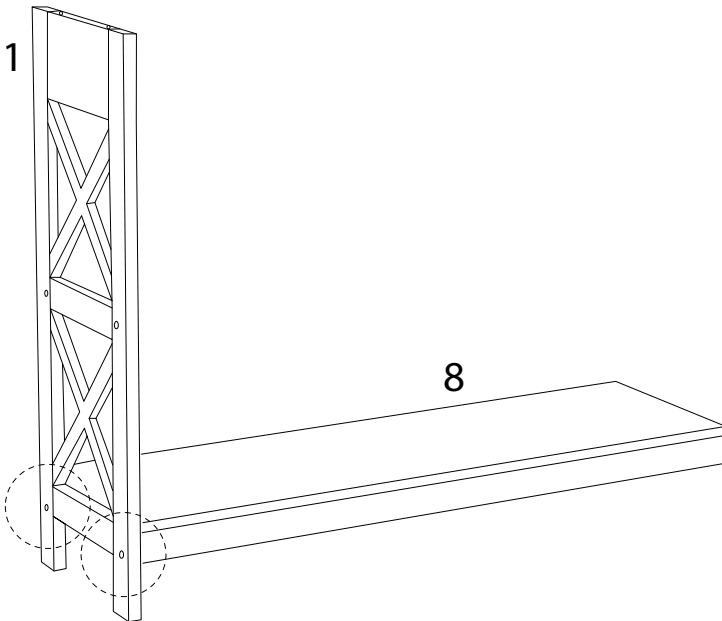
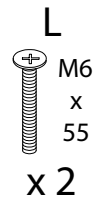
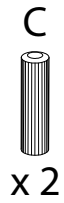
G

x 1



3



4

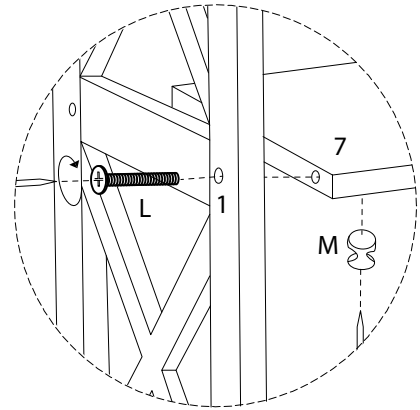
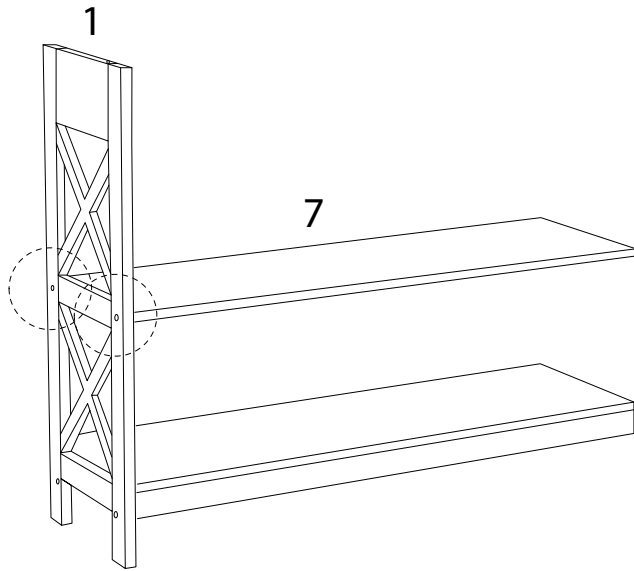


5

L
M6
x
55
x 2

M
x 2

7
x 1

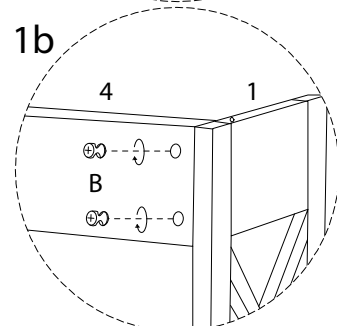
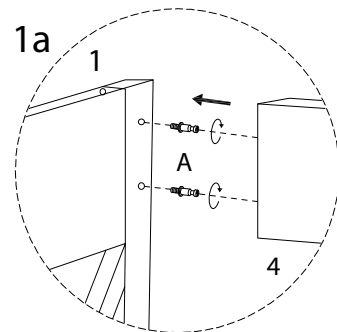
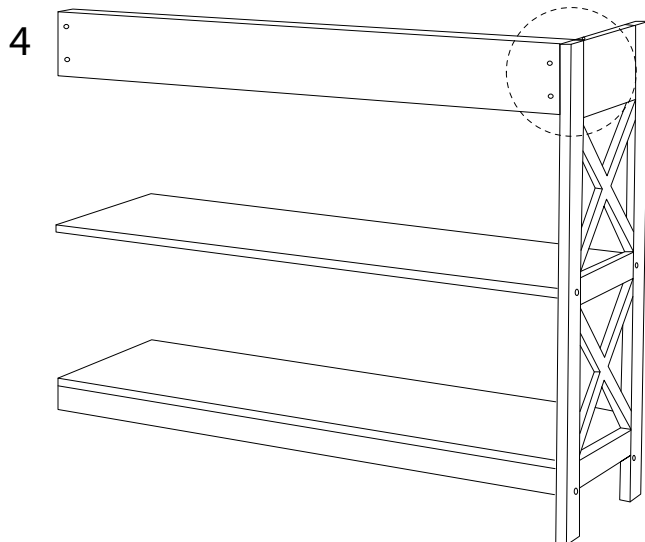


6

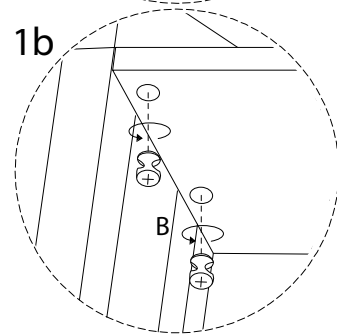
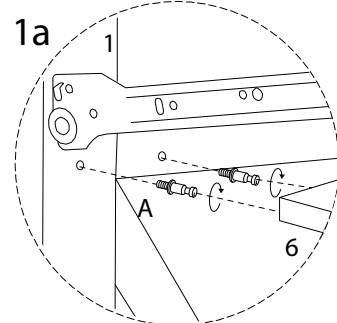
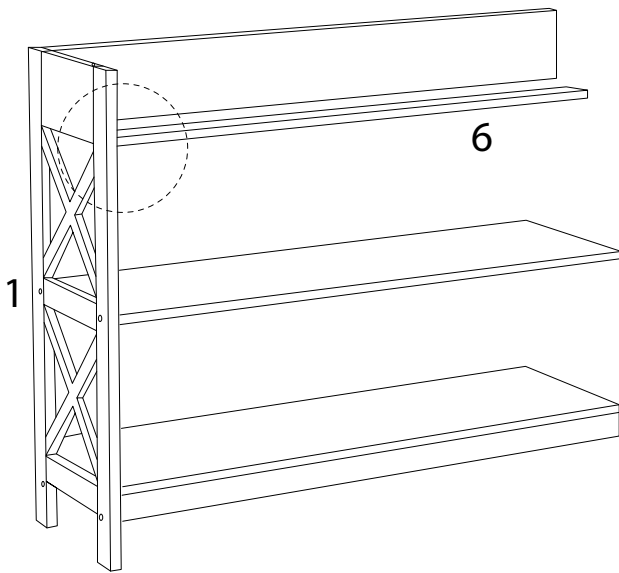
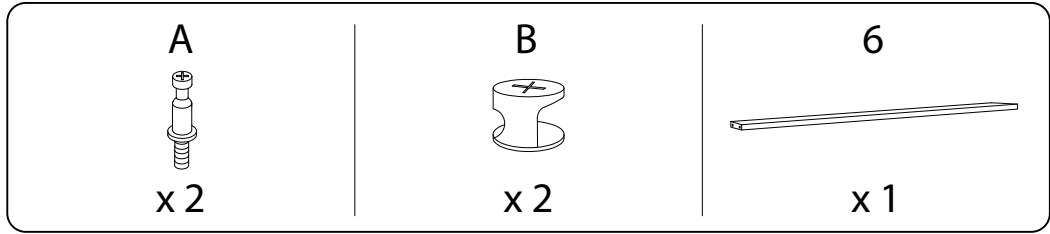
A
x 2

B
x 2

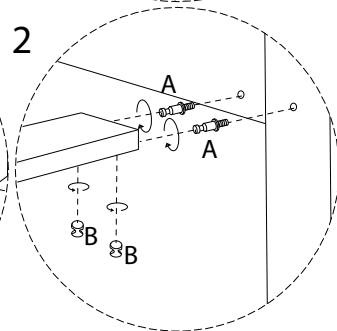
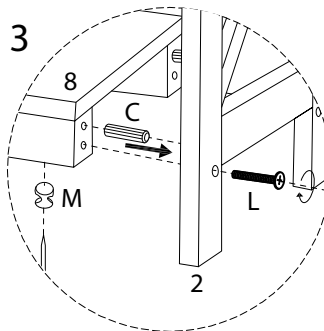
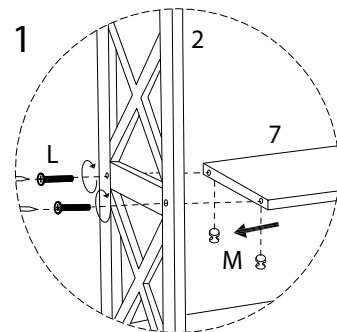
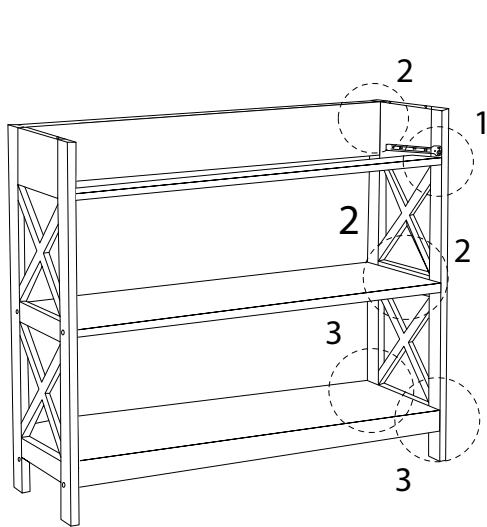
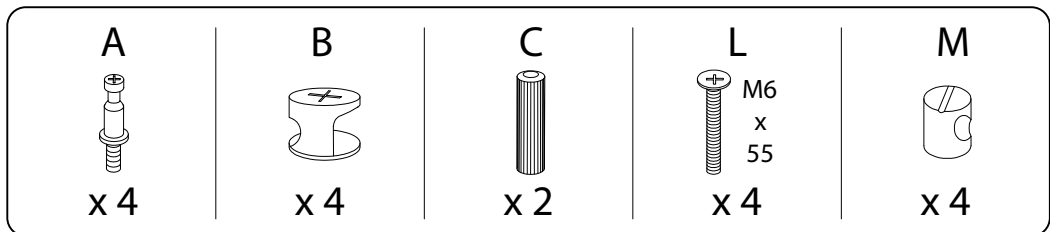
4
x 1



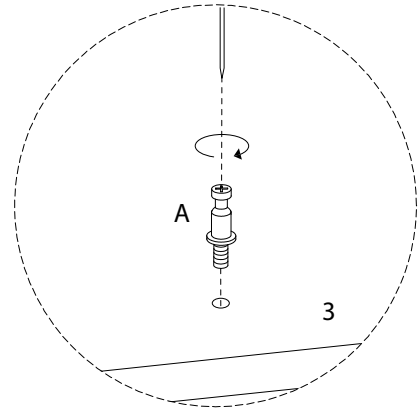
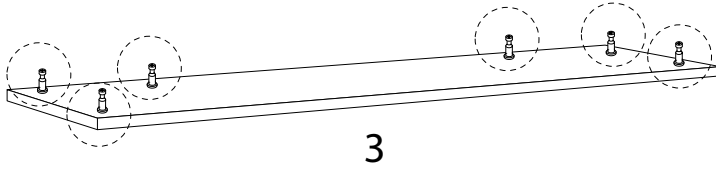
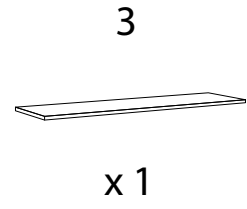
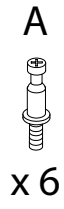
7



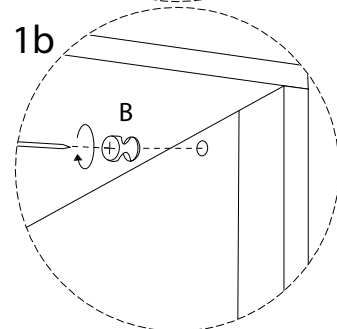
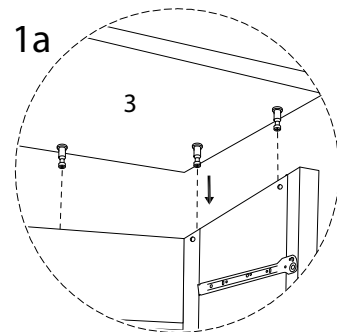
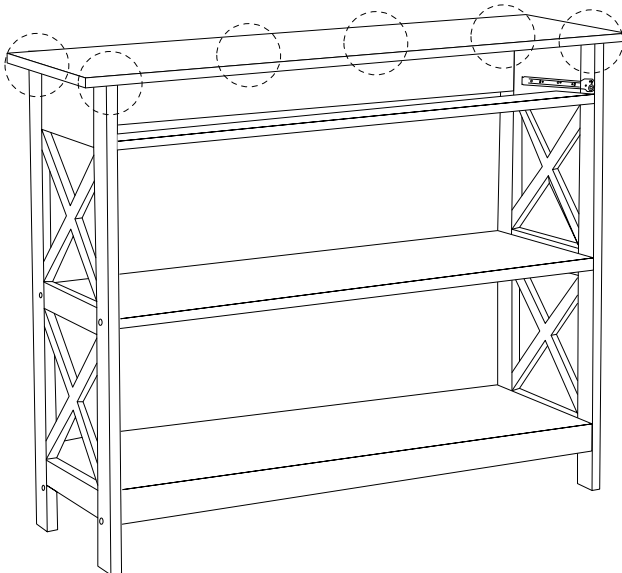
8



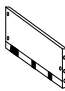
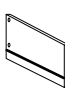

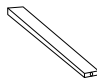
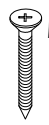
9

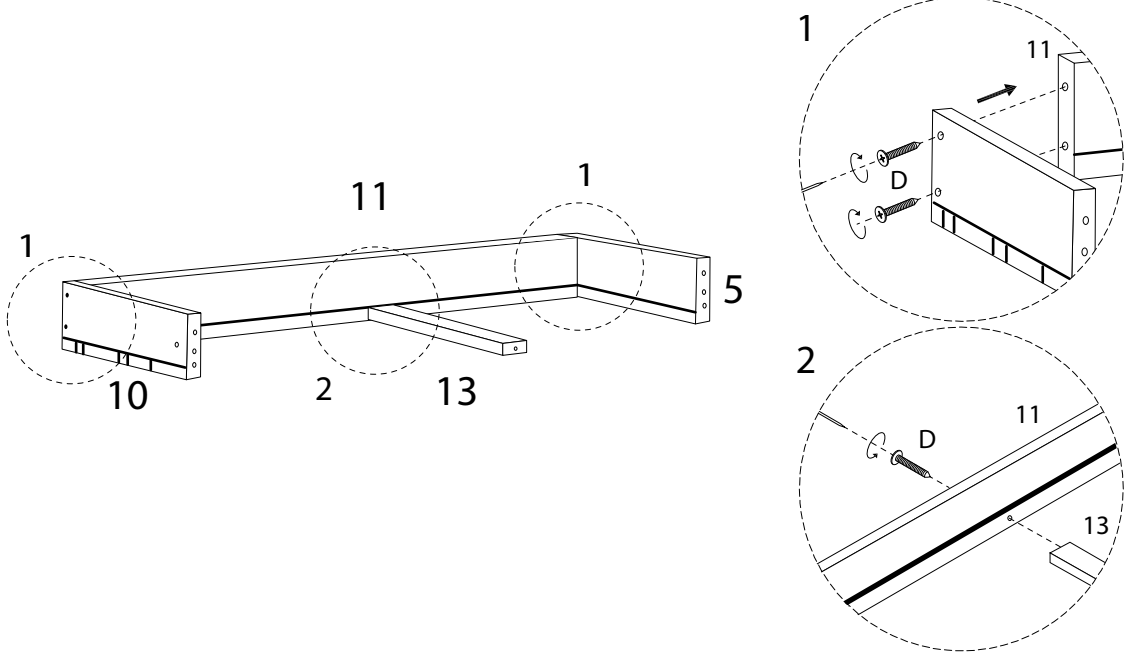


10




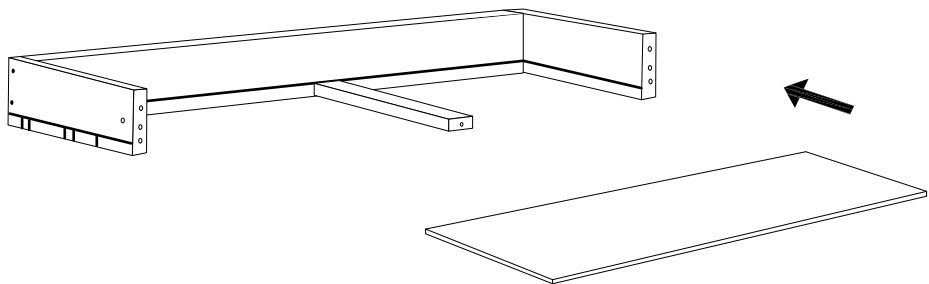
11

5  x 1	10  x 1	11  x 1	13  x 1	D  x 5
---	--	--	--	---

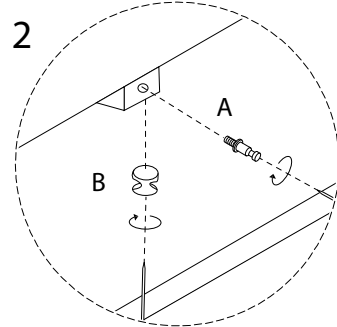
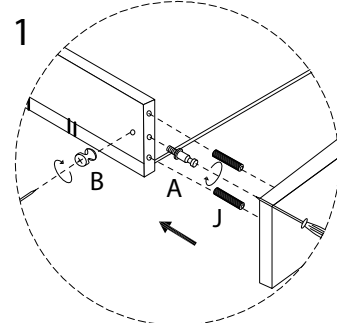
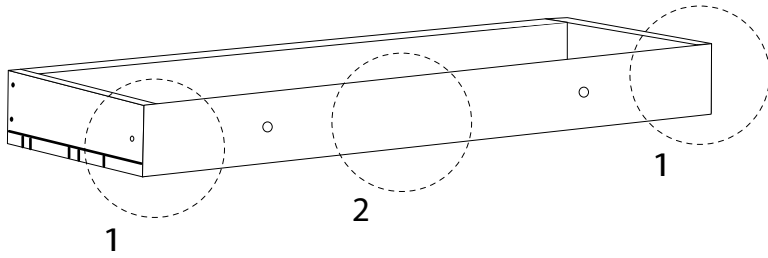
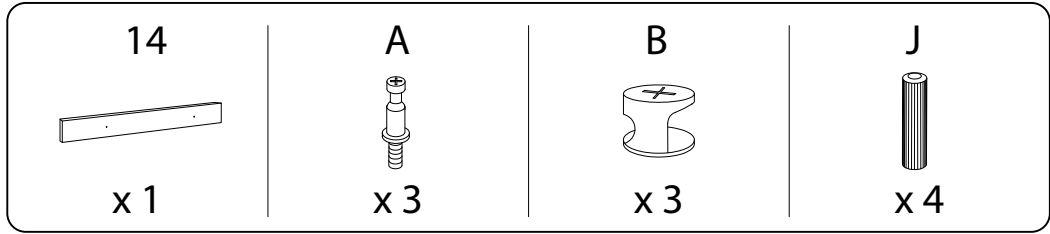


12

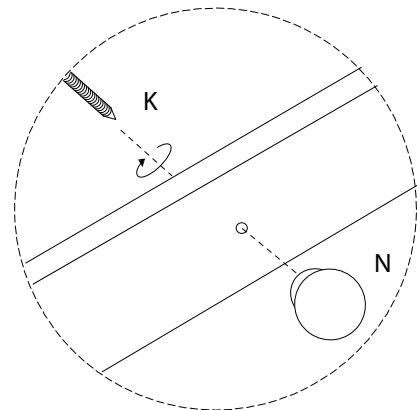
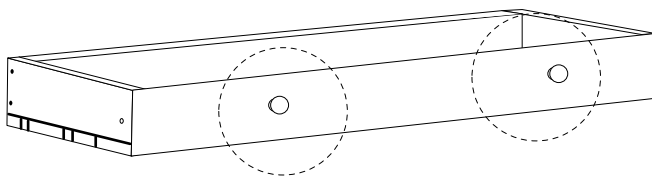
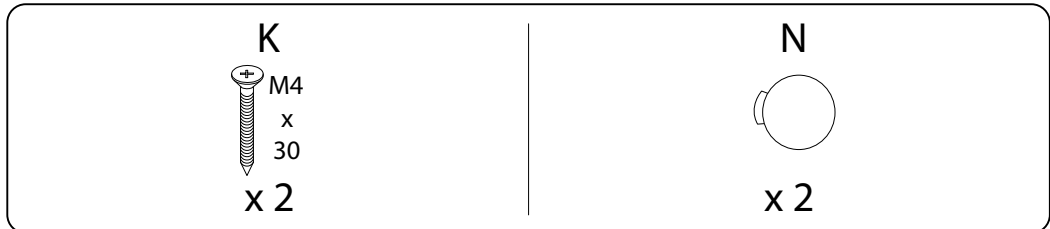
12  x 1



13

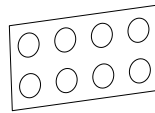


14

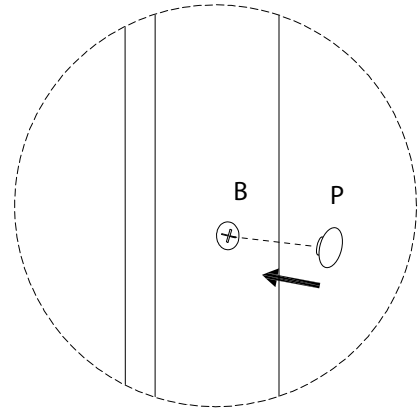
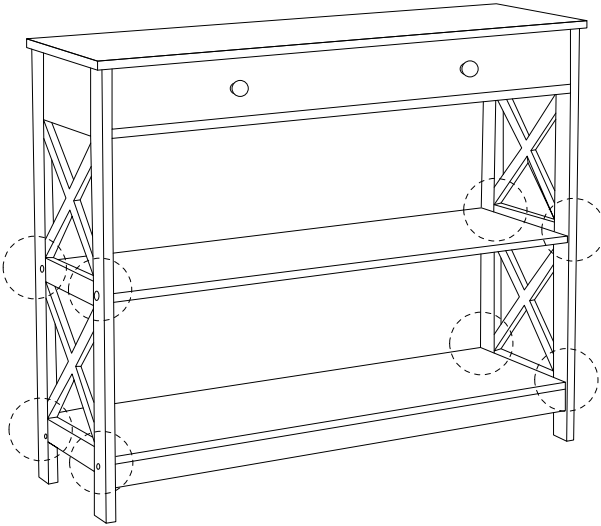


15

P

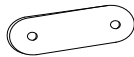


x 8



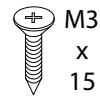
16

I

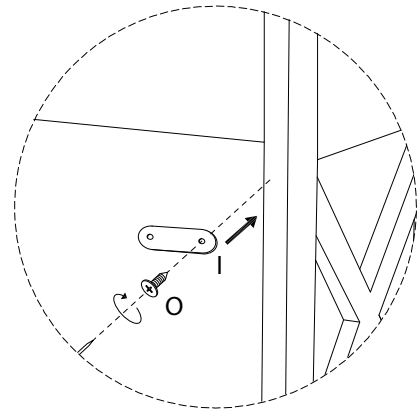
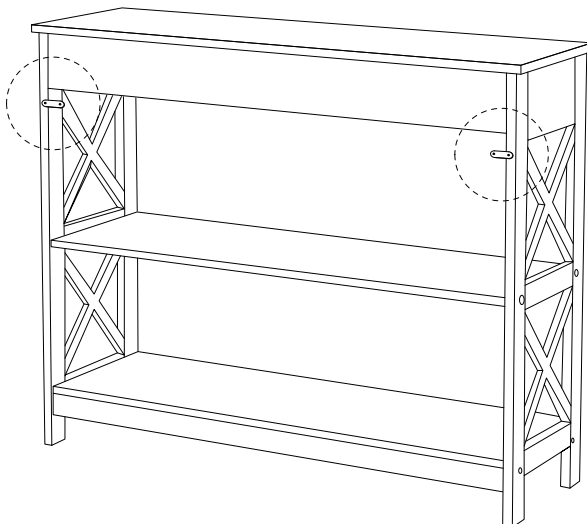


x 2

O



x 2



17

D
M4
x
35
x 2

H
x 2

