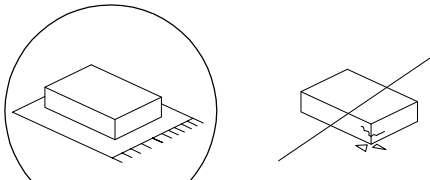

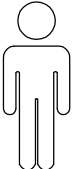
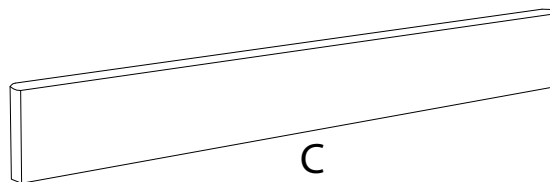
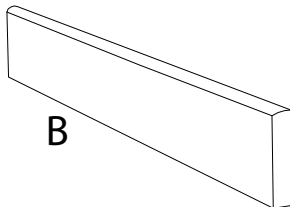
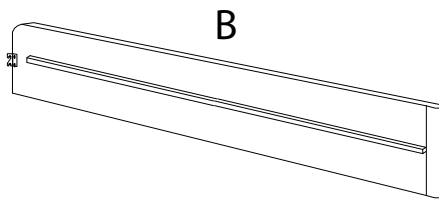
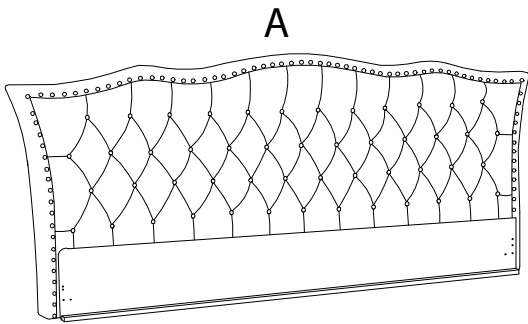
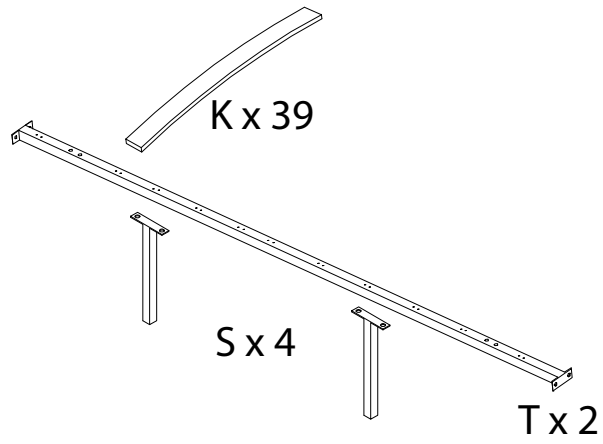
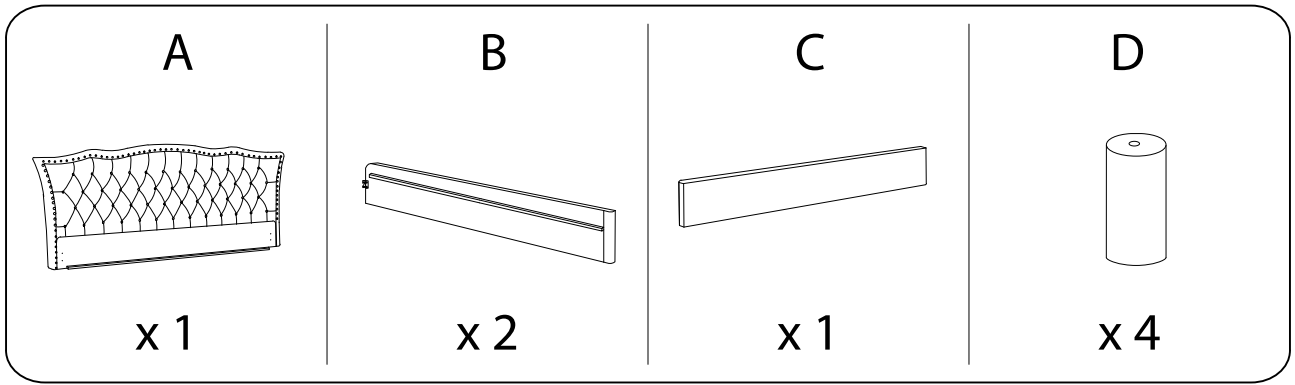
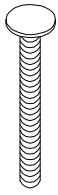

		60'
		
		2

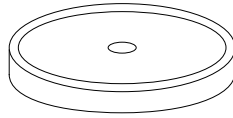


E



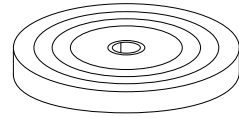
x 4

F



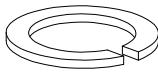
x 4

G



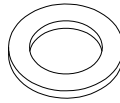
x 4

H



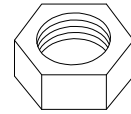
x 8

I



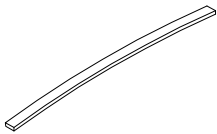
x 16

J



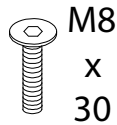
x 8

K



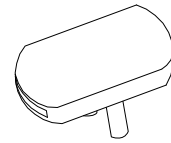
x 39

L



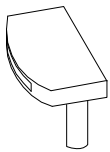
x 16

M



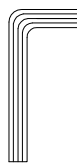
x 26

N



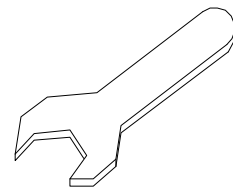
x 26

O



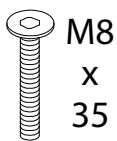
x 1

P



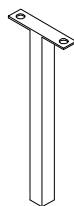
x 1

R



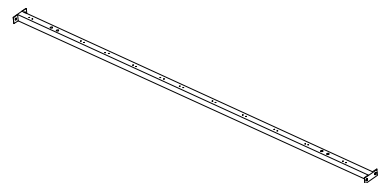
x 8

S



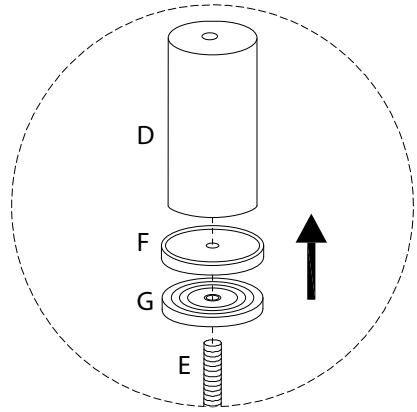
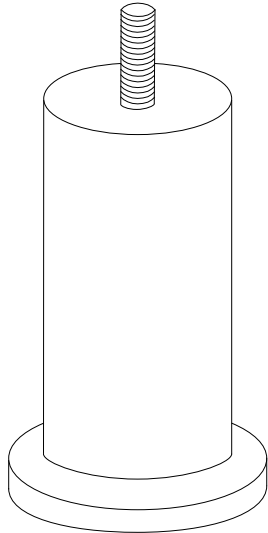
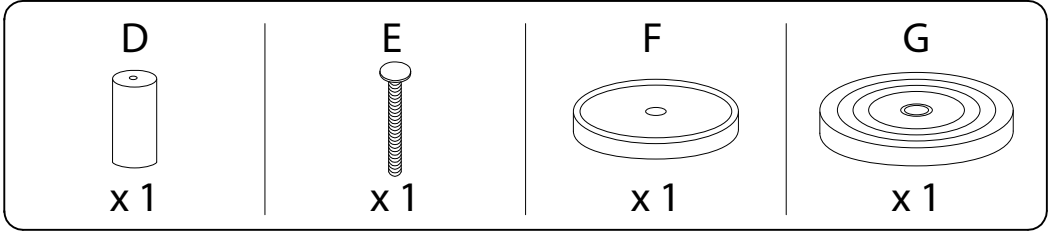
x 4

T

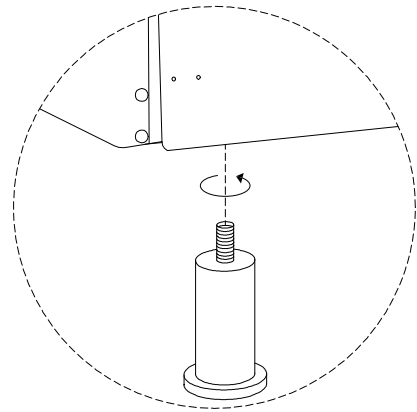
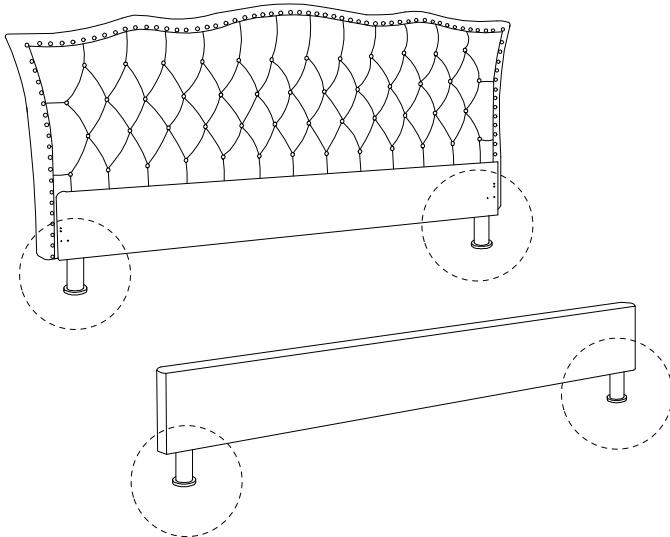
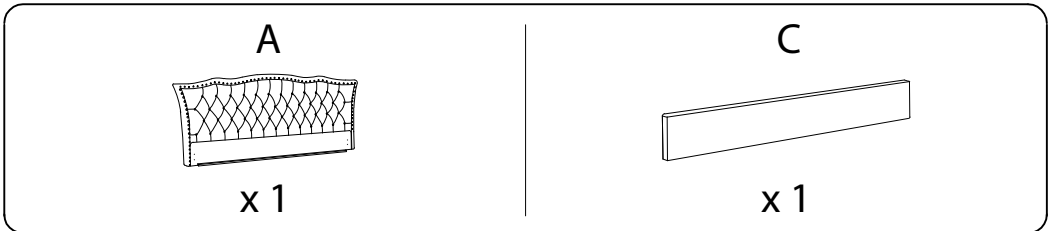


x 2

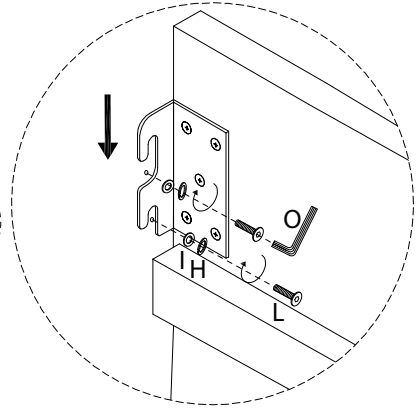
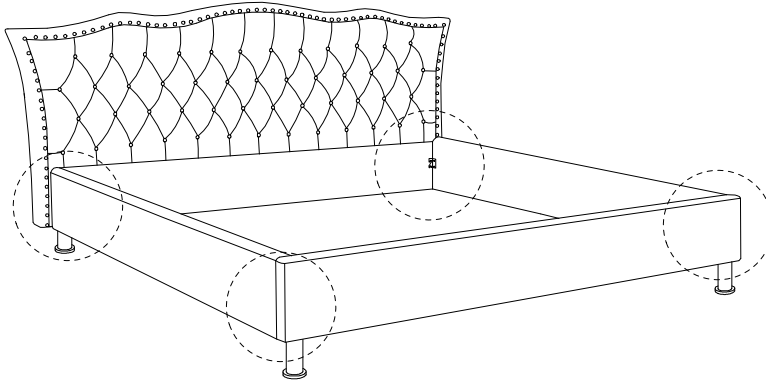
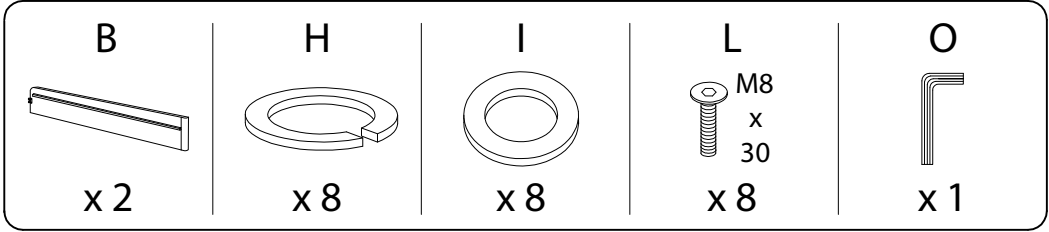
1 x 4



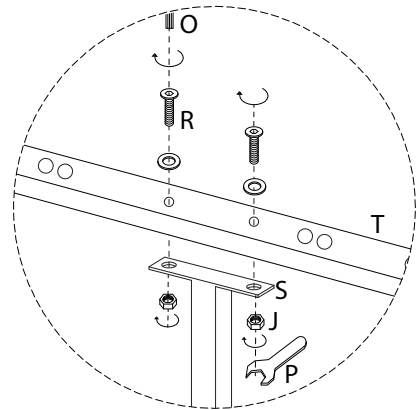
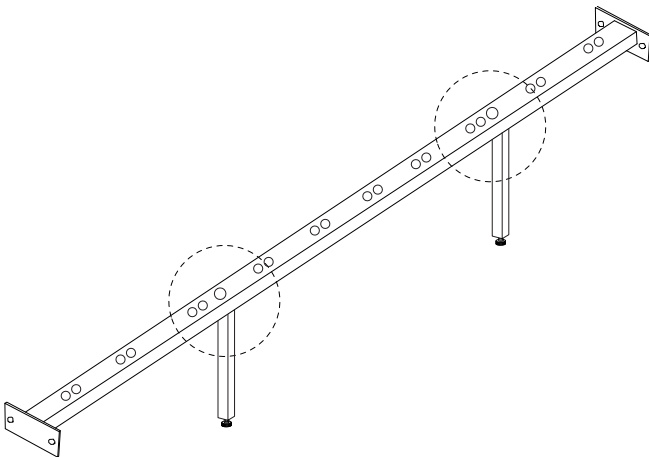
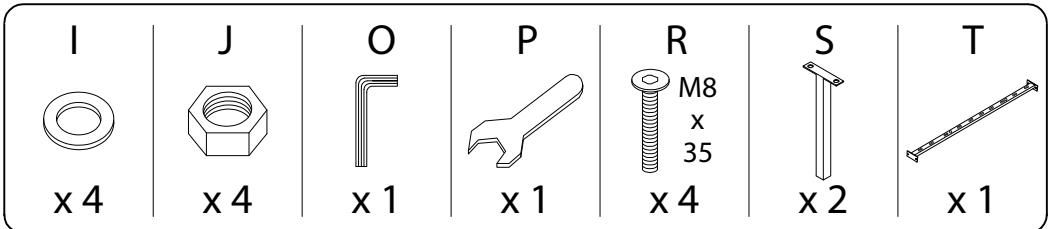
2



3

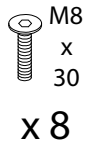


4 x 2

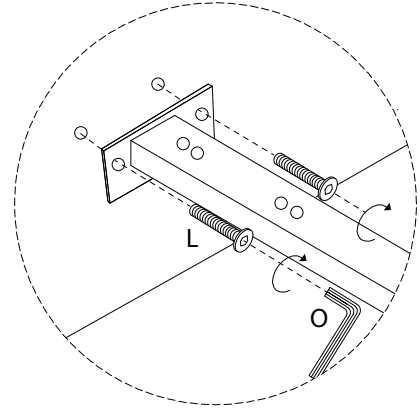
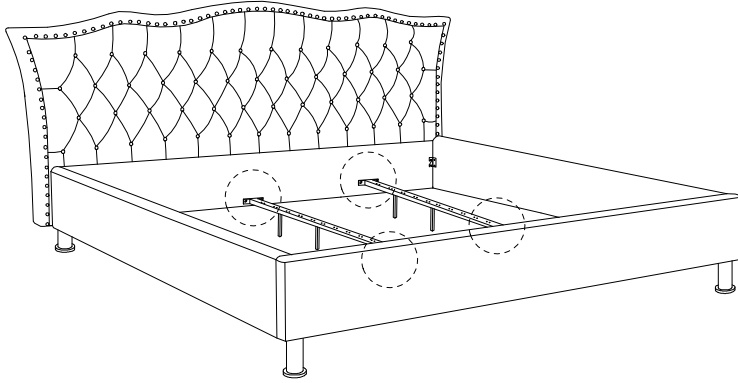


5

L

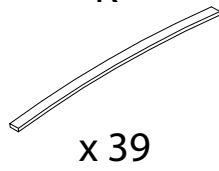


O

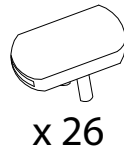


6 x 13

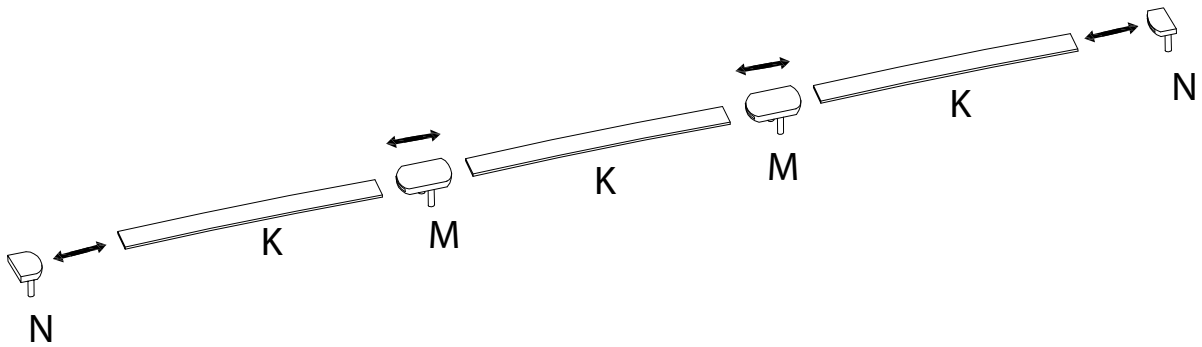
K



M



N



7 x 13

