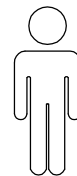
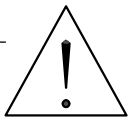
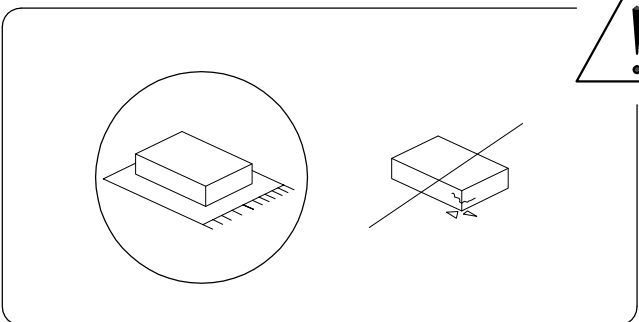
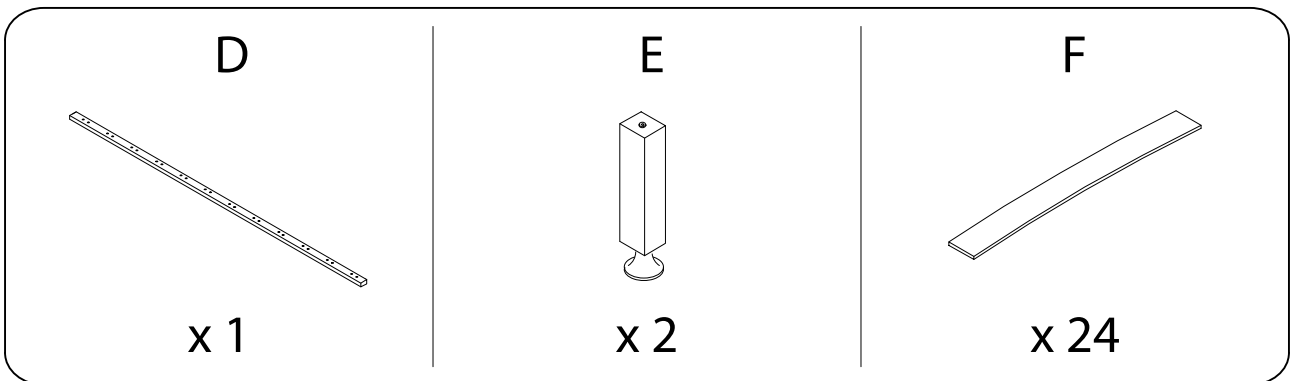
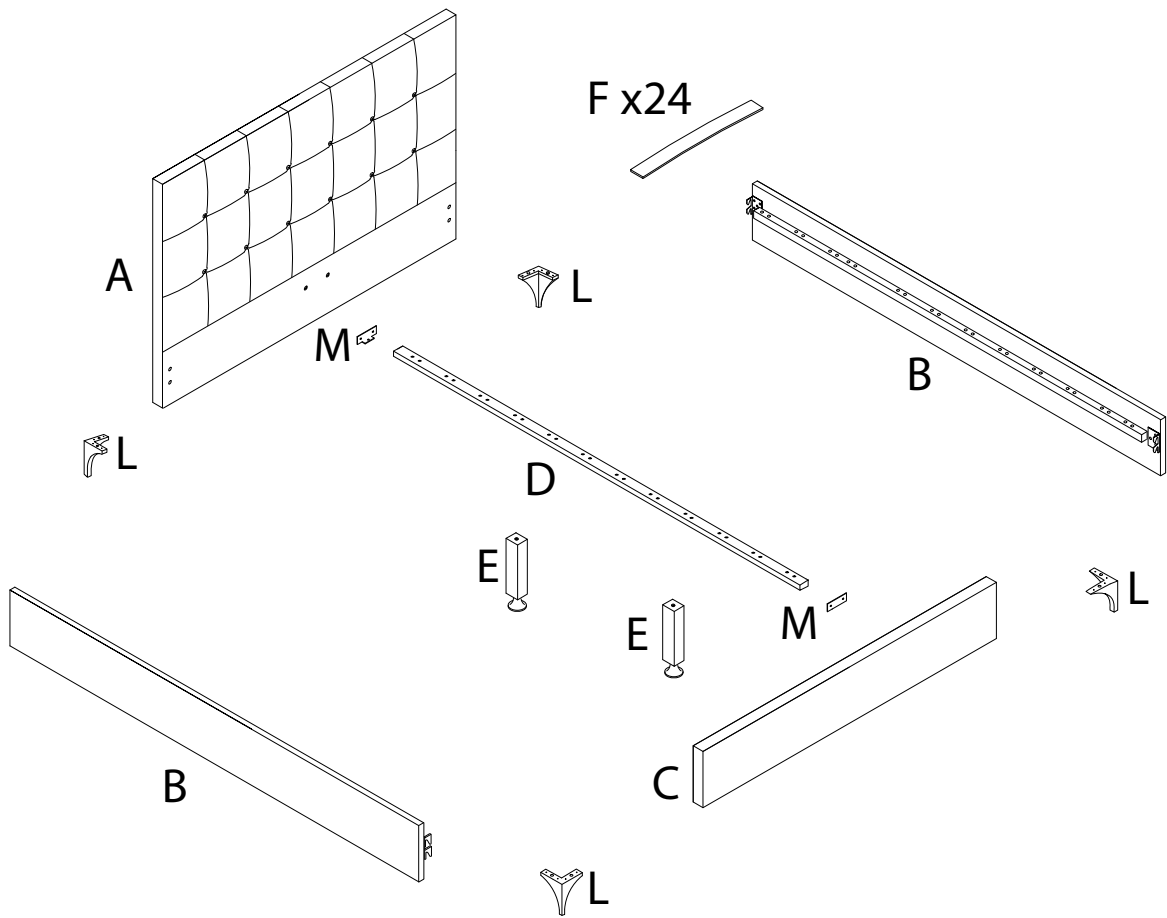
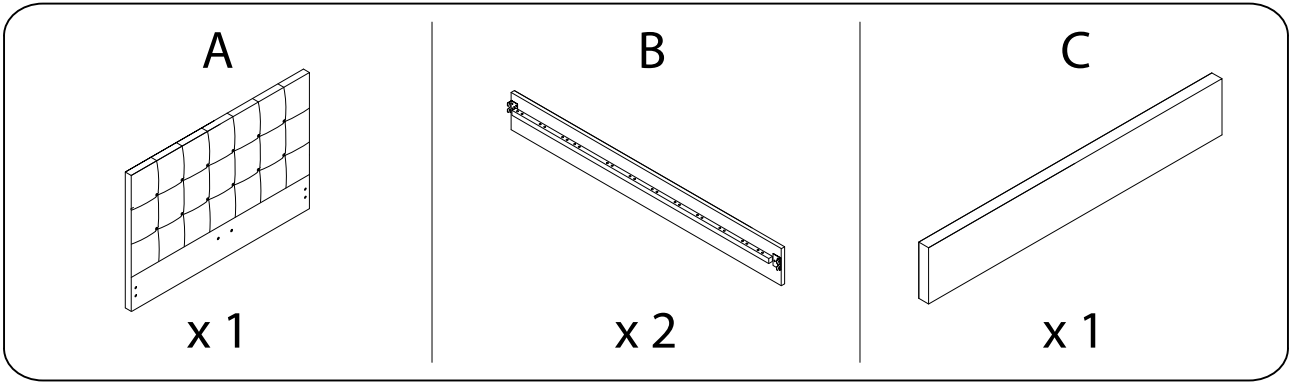


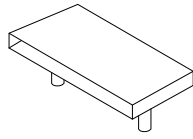
30'



1

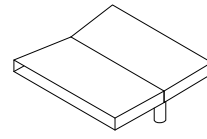


G



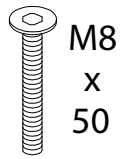
x 24

H



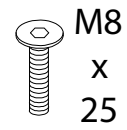
x 12

I



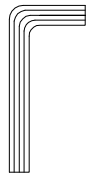
x 2

J



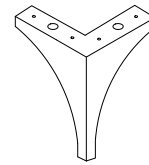
x 18

K



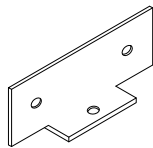
x 1

L



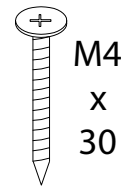
x 4

M



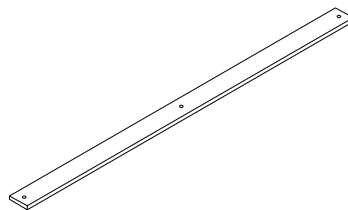
x 2

N



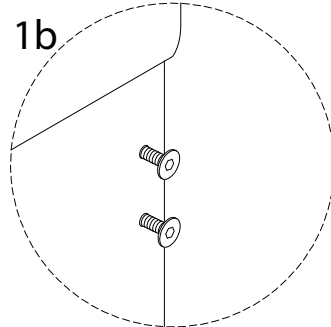
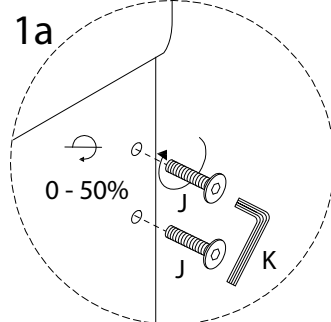
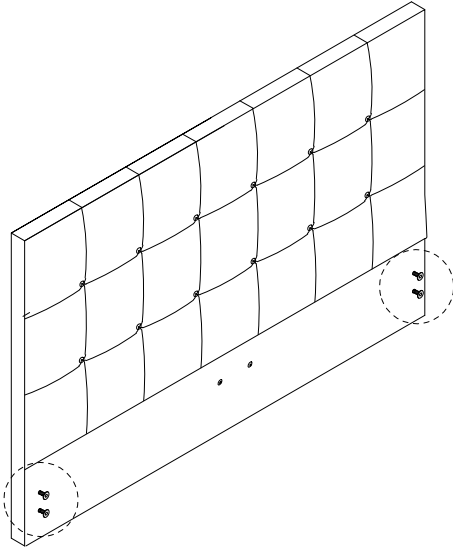
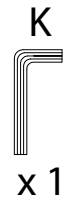
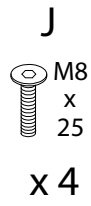
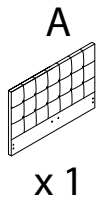
x 19

O

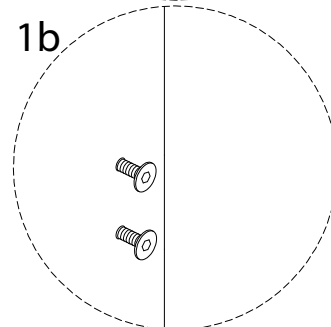
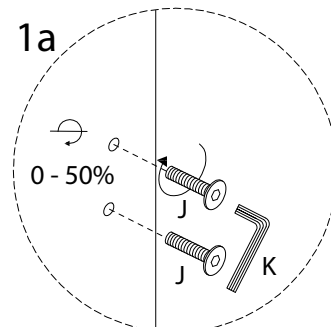
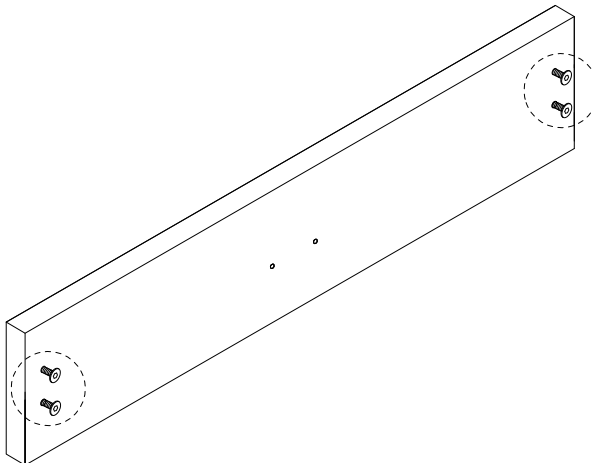
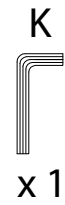
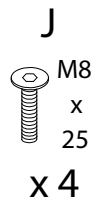
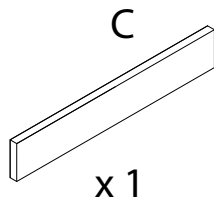


x 1

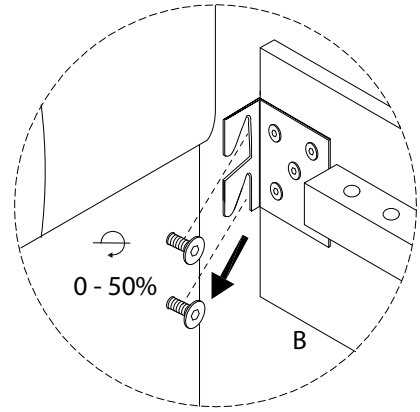
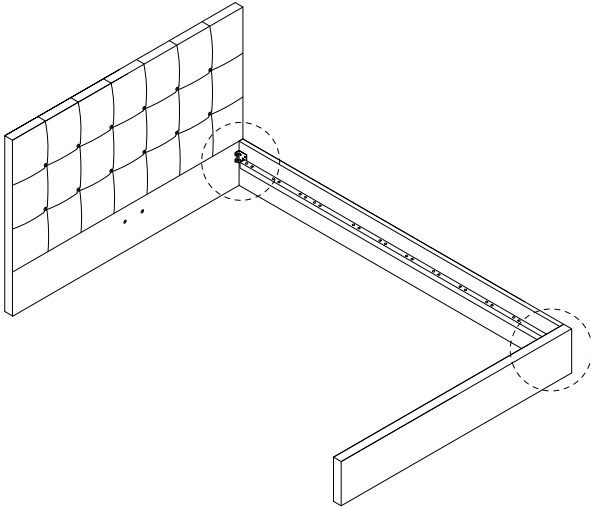
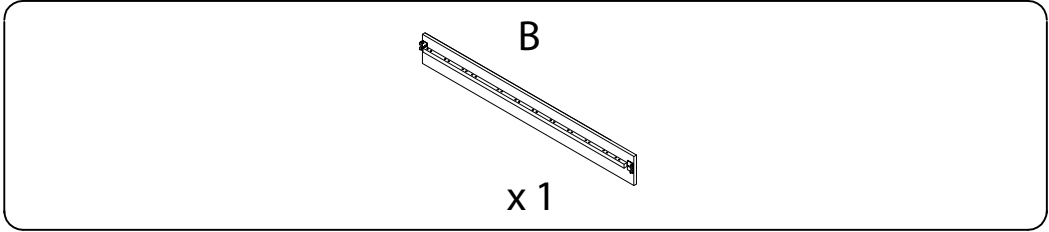
1



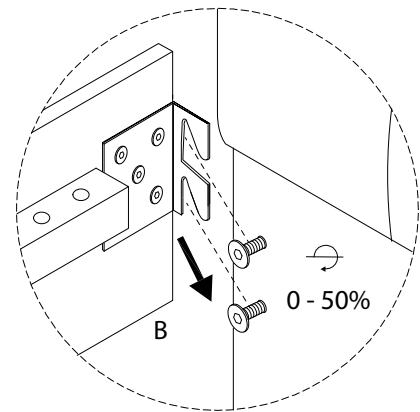
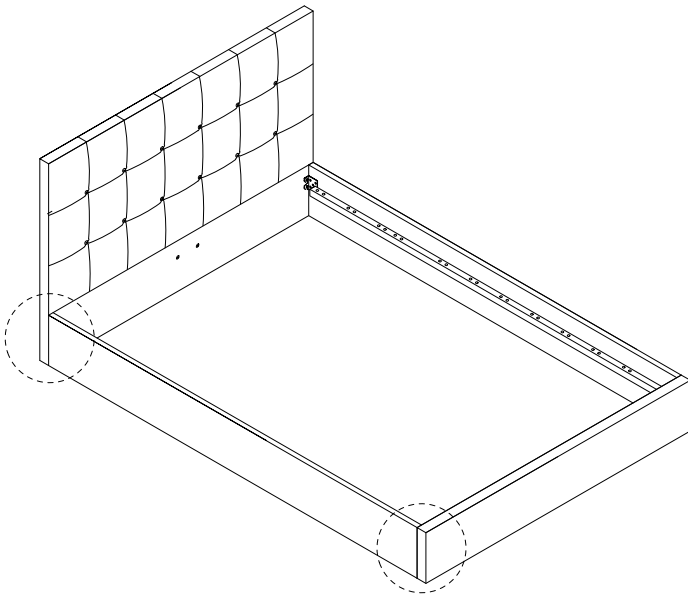
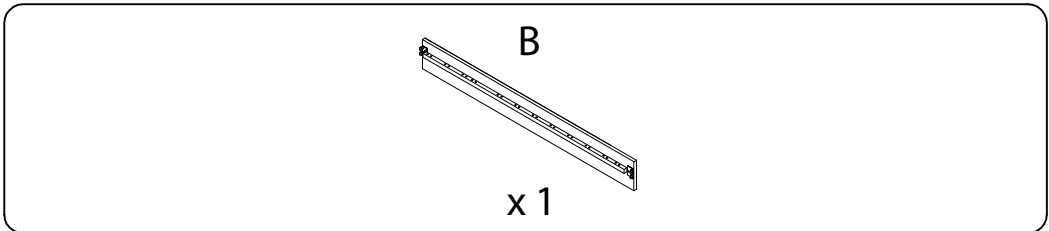
2



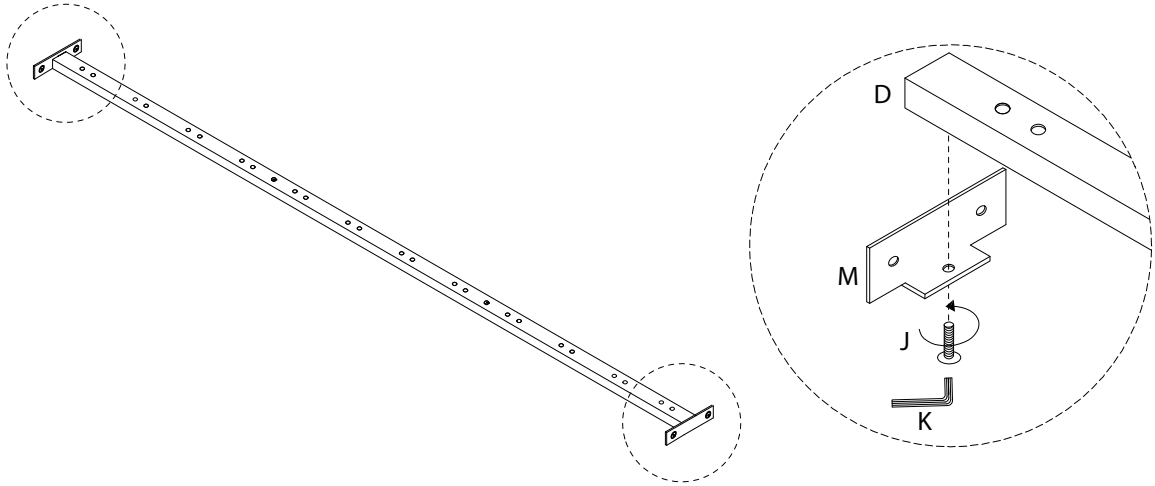
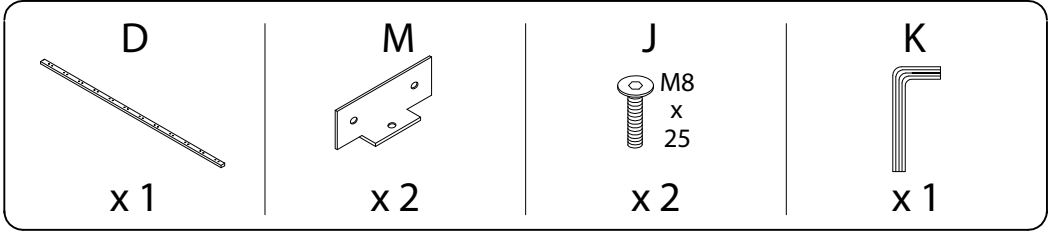
3



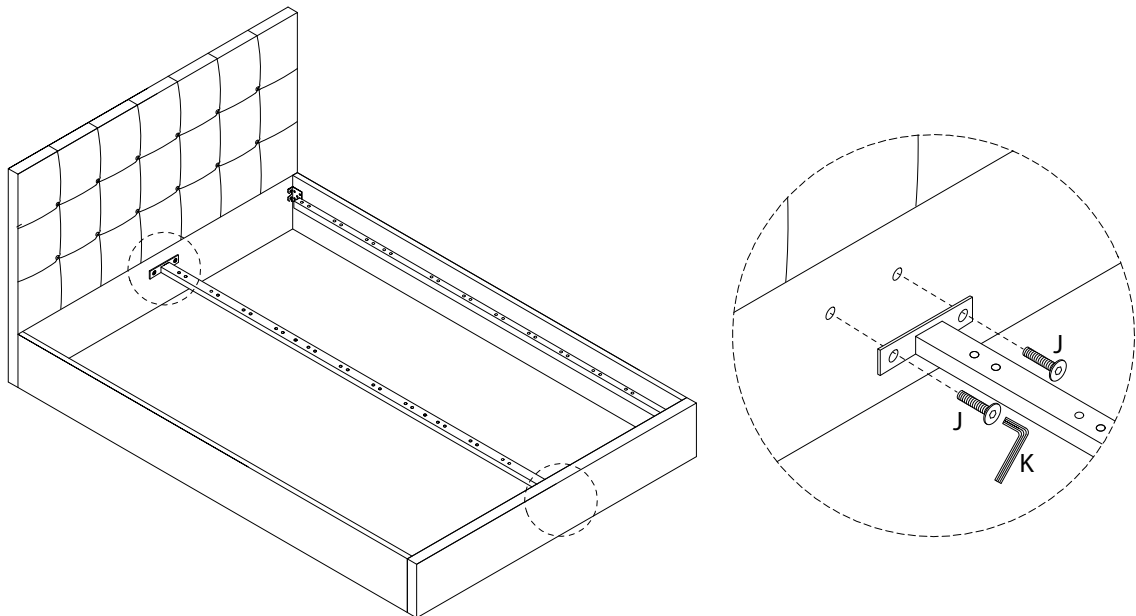
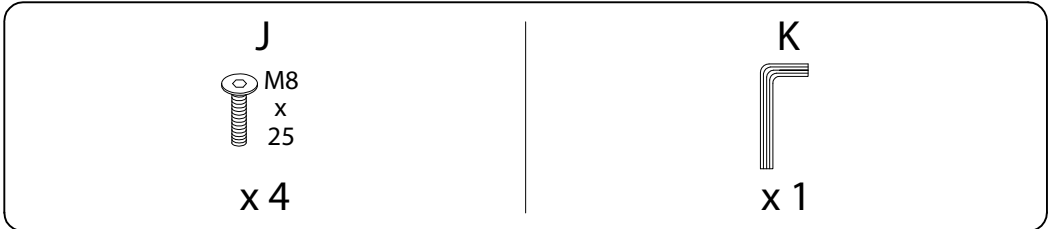
4



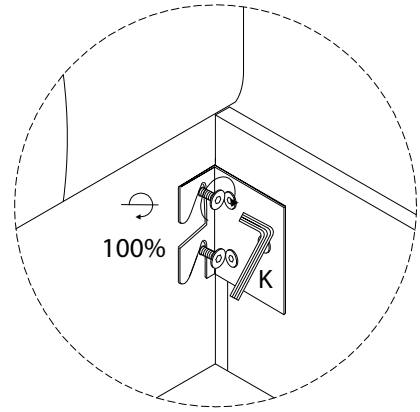
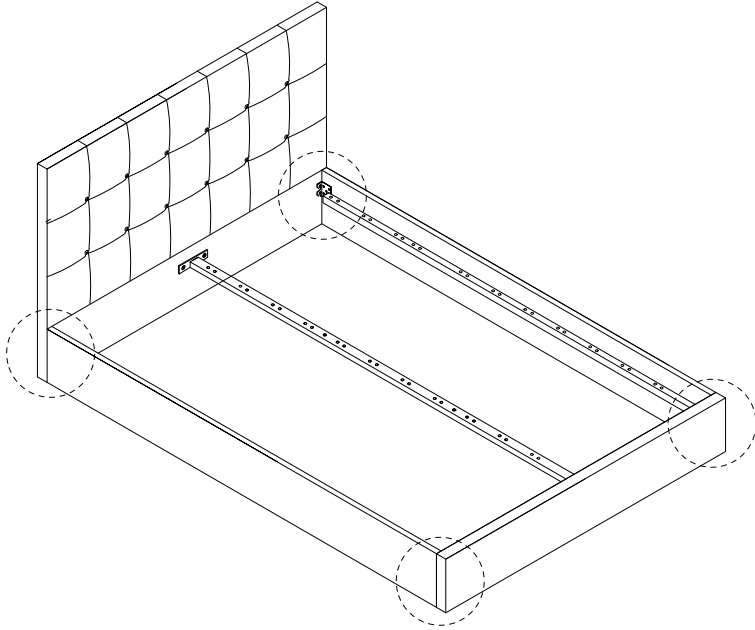
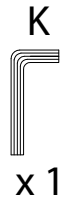
5



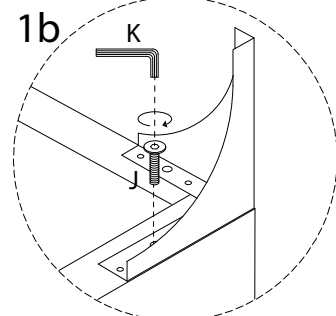
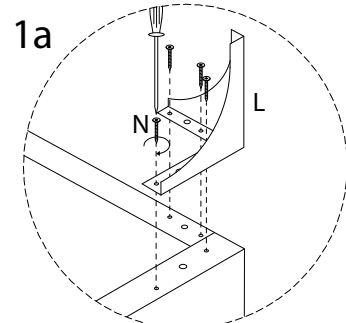
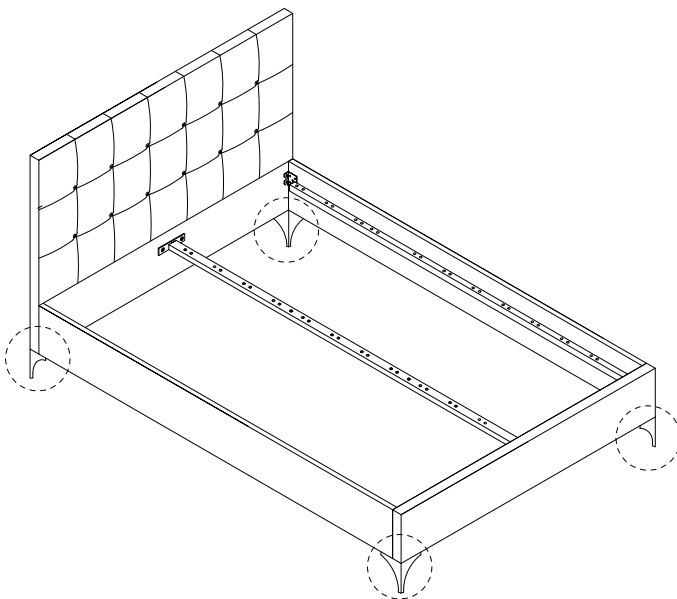
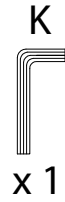
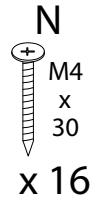
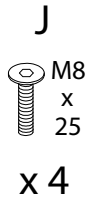
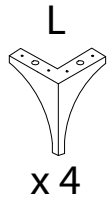
6



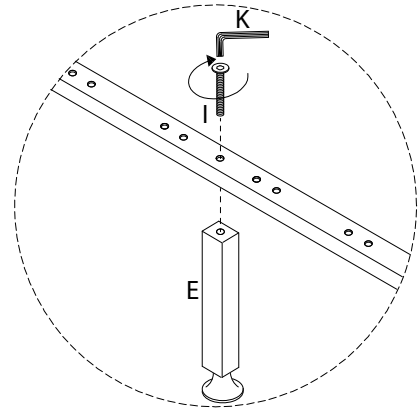
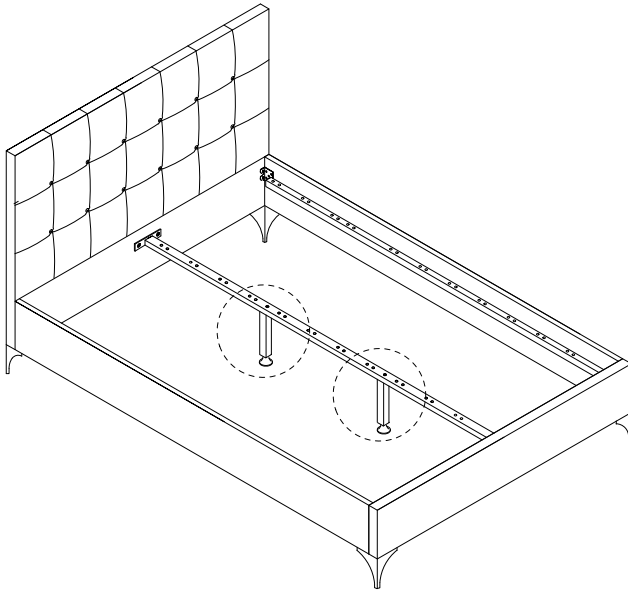
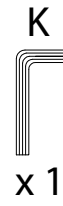
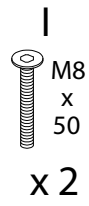
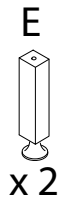
7



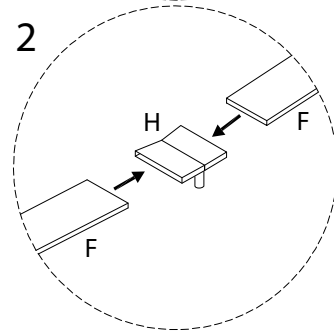
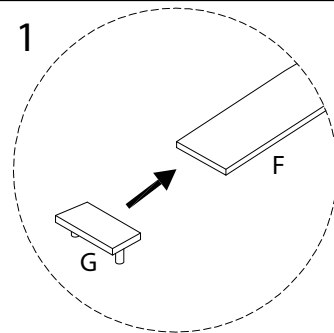
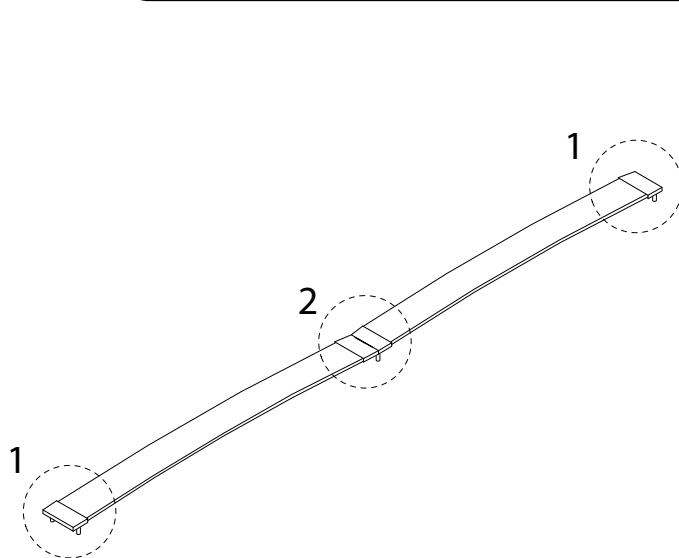
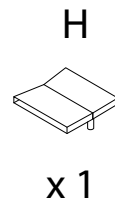
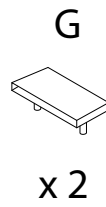
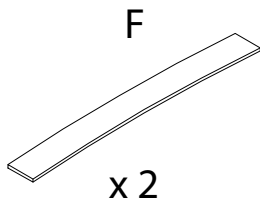
8



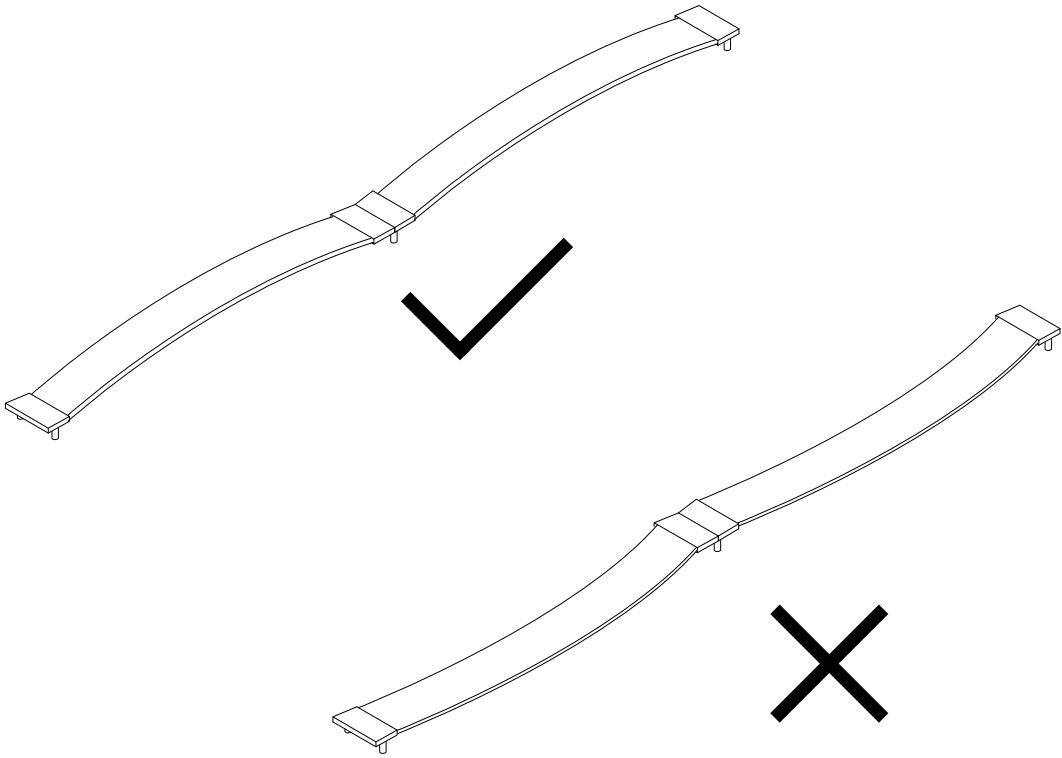
9



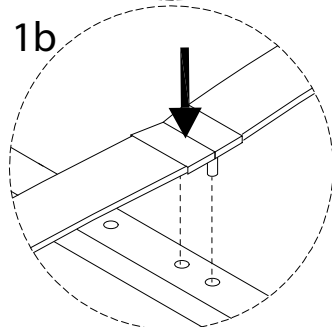
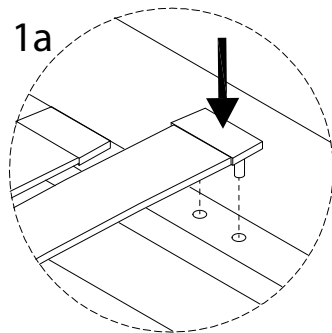
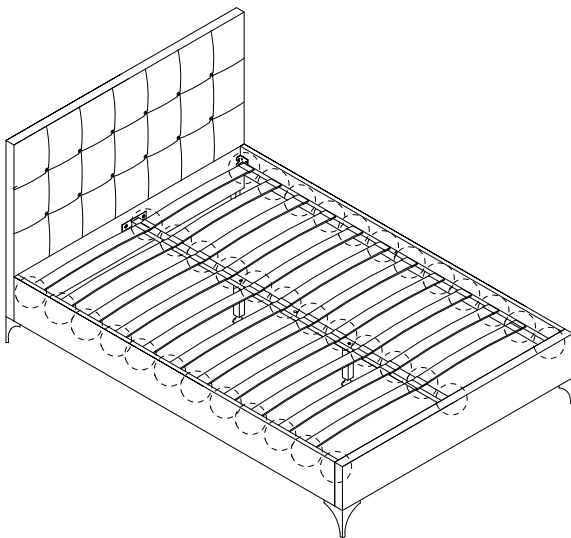
10 x 12



!

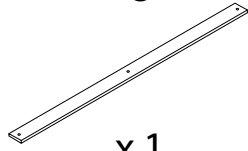


11



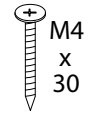
12

O



x 1

N



x 3

