

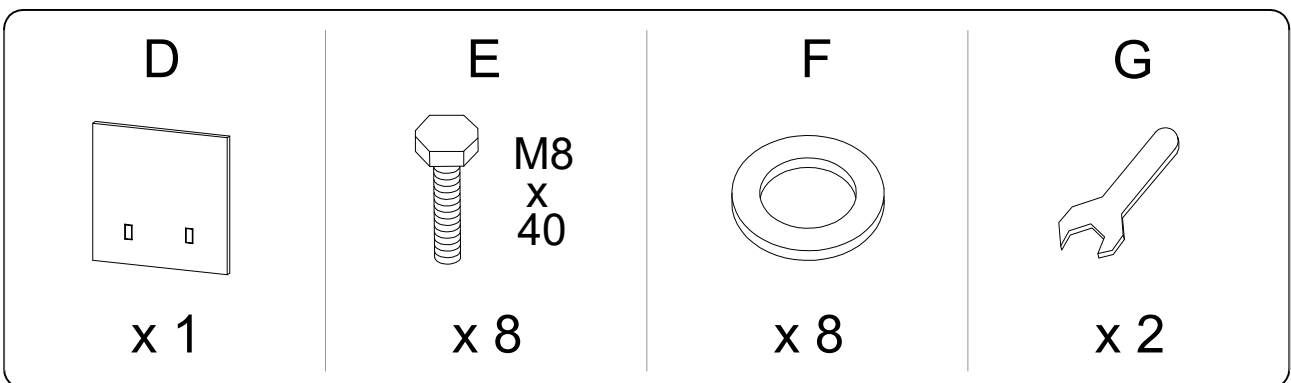
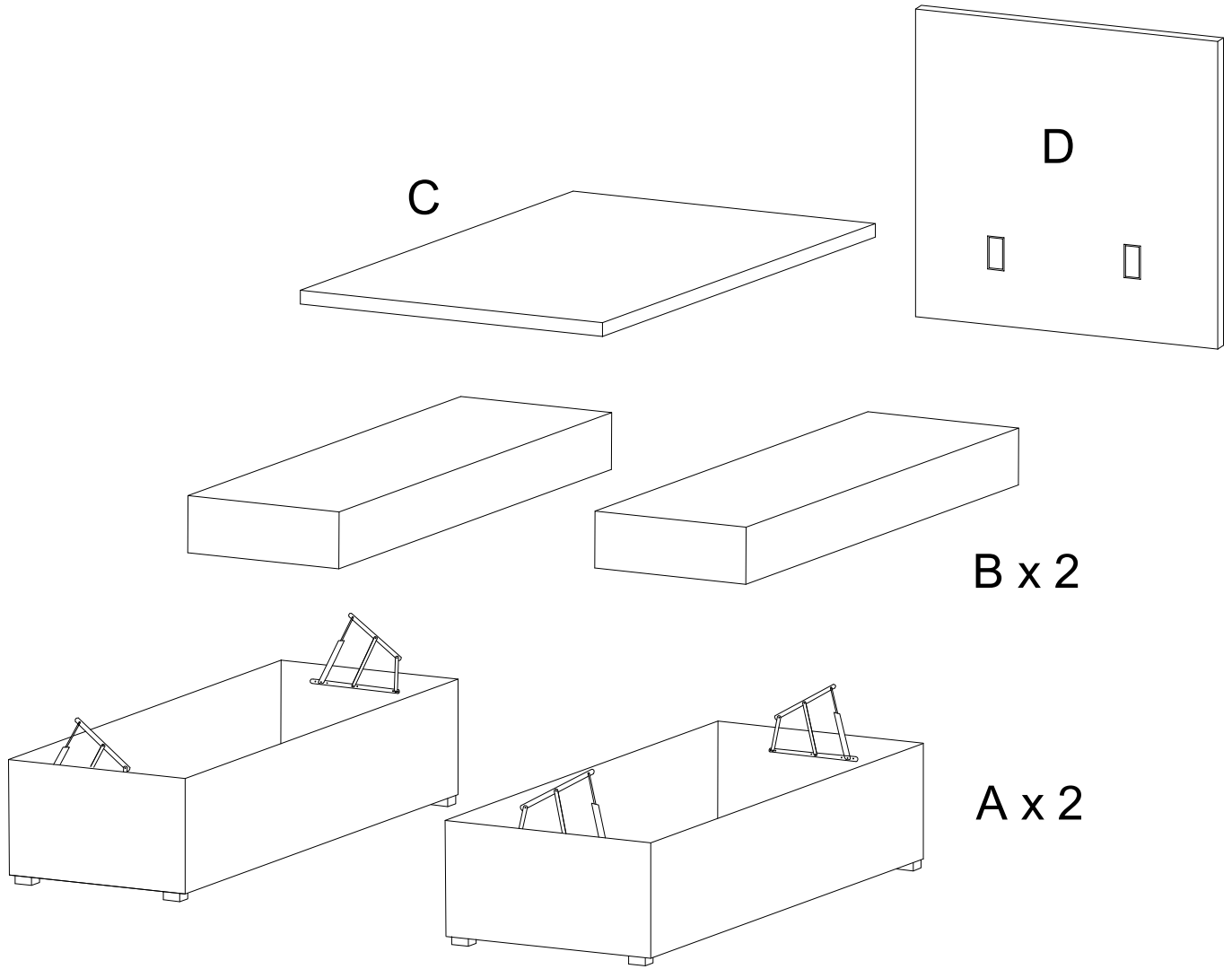
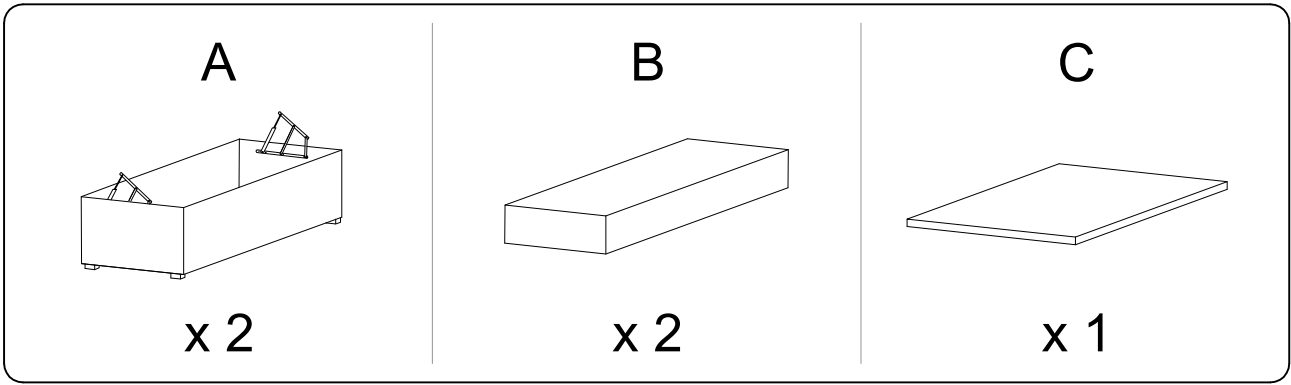
Assembly instructions for the bed, including tool requirements, time, and person count.

Tools: A wrench is shown in a circle, and a power drill is shown with a diagonal line through it, indicating it is not required.

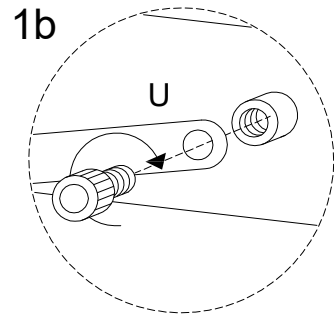
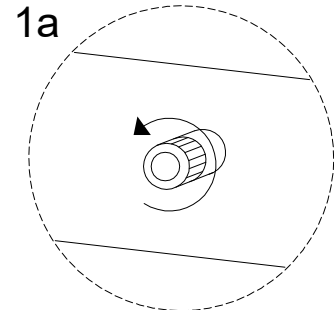
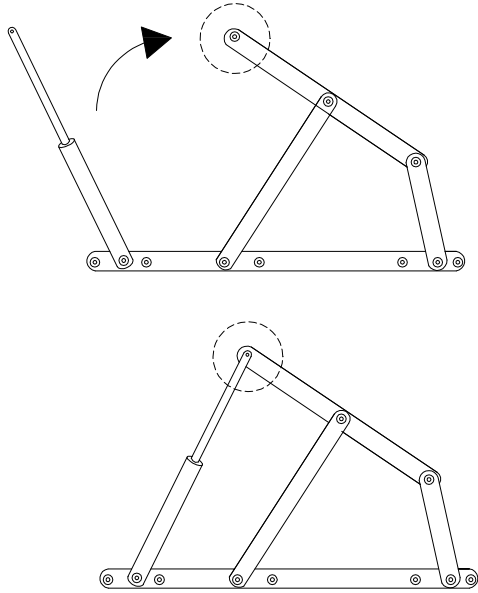
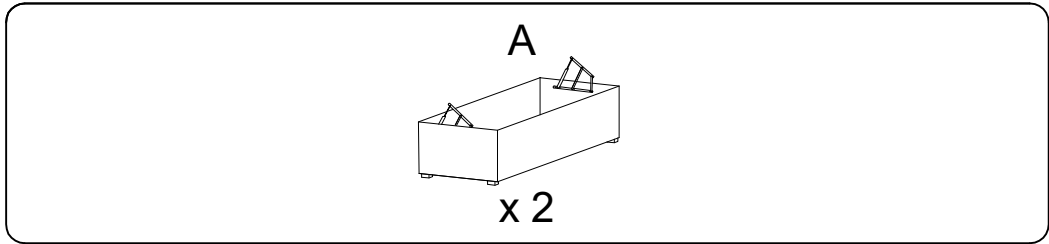
Time: A clock icon is shown with the text "30'" below it, indicating the estimated assembly time.

Personnel: A person icon is shown with the text "1" below it, indicating that one person is required for assembly.

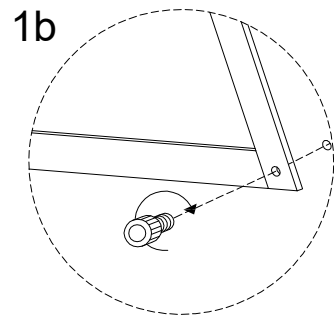
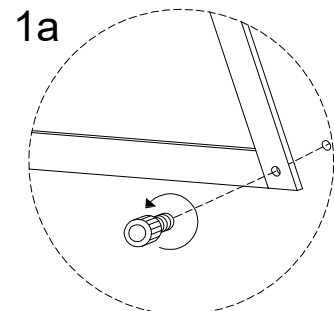
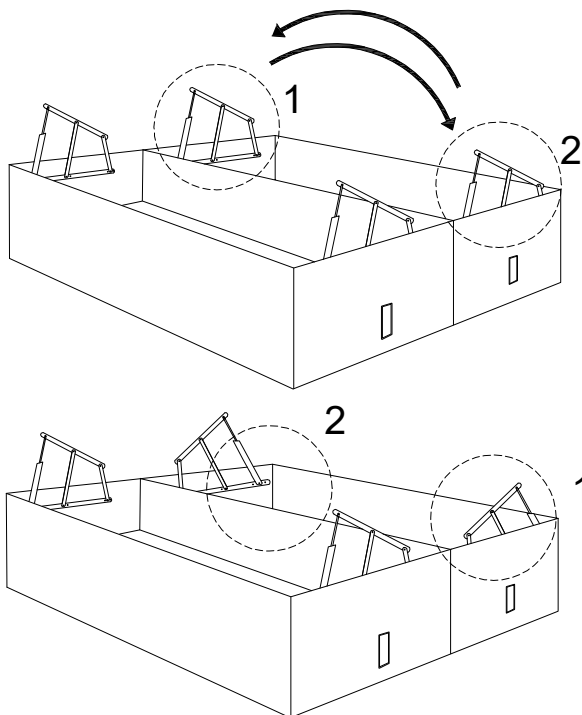
Warnings: Two warning triangles (exclamation marks) are shown. The first is connected to the tool icons, and the second is connected to the person icon, indicating safety precautions.



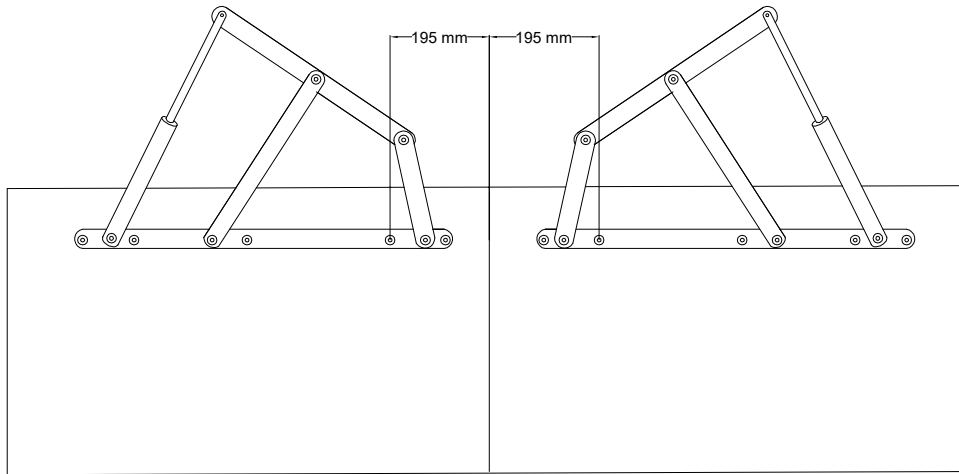
1



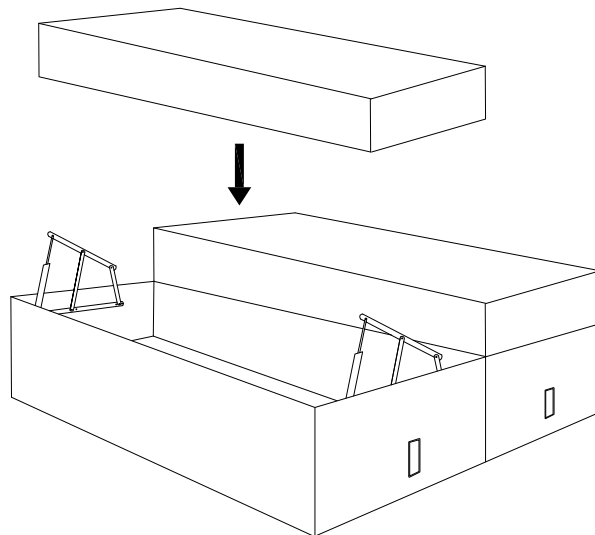
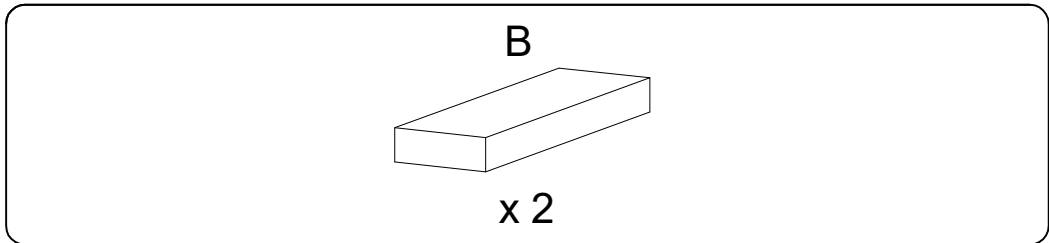
2



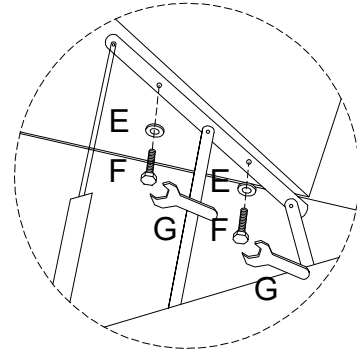
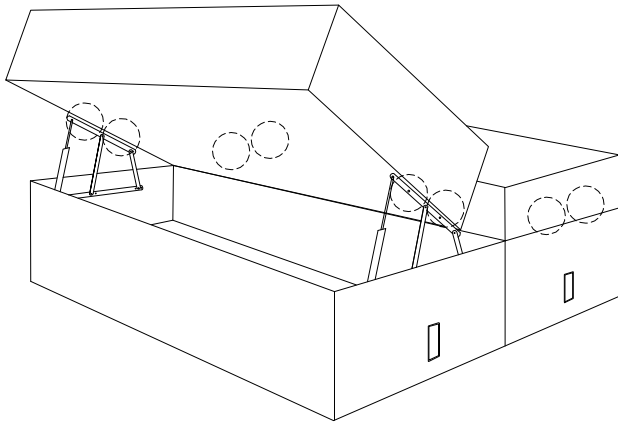
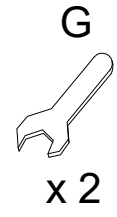
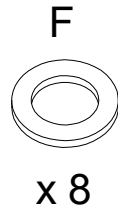
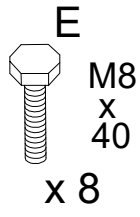
!



3

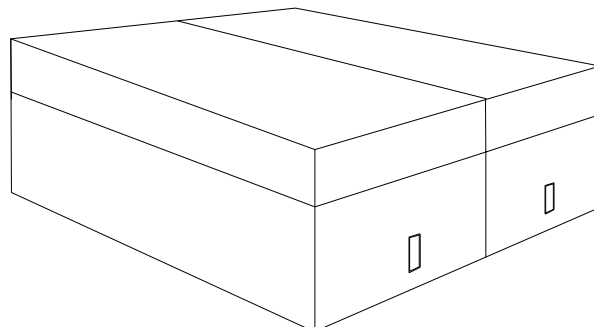
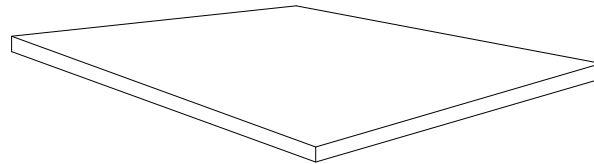
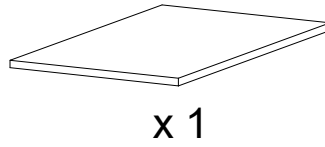


4



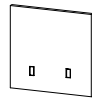
5

C



6

D



x 1

