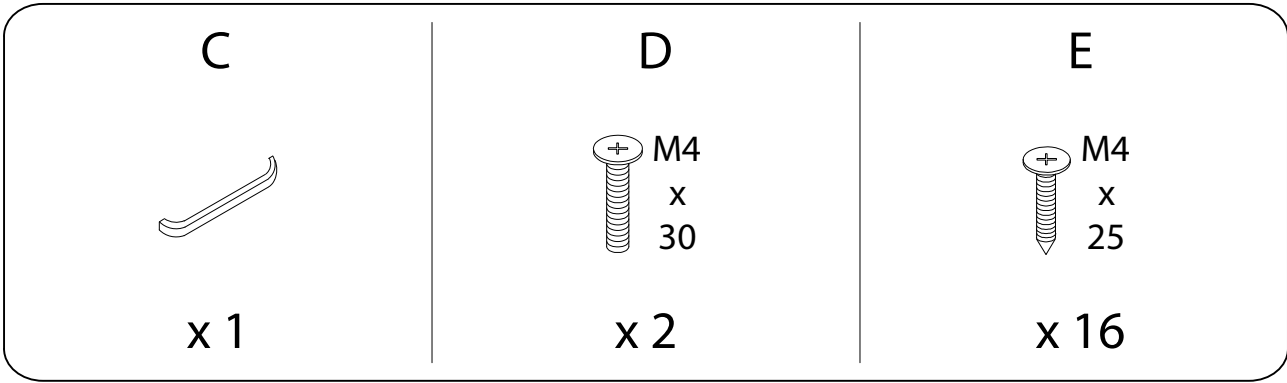
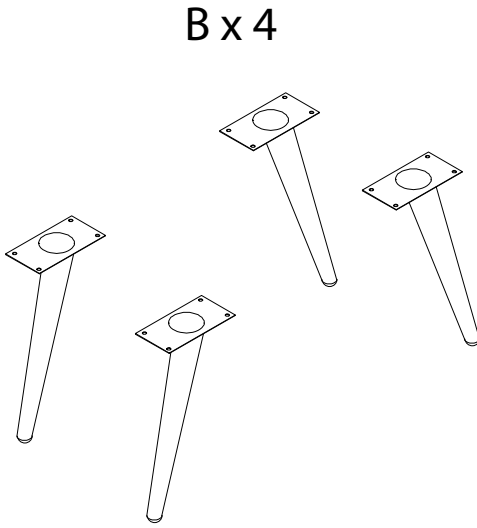
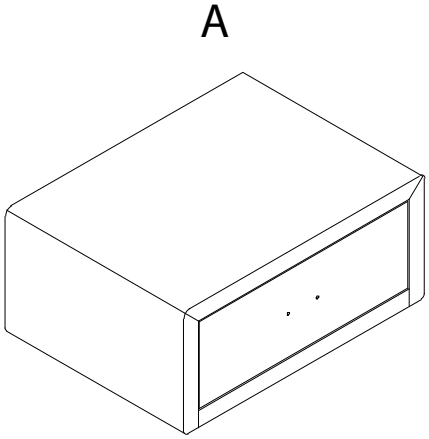
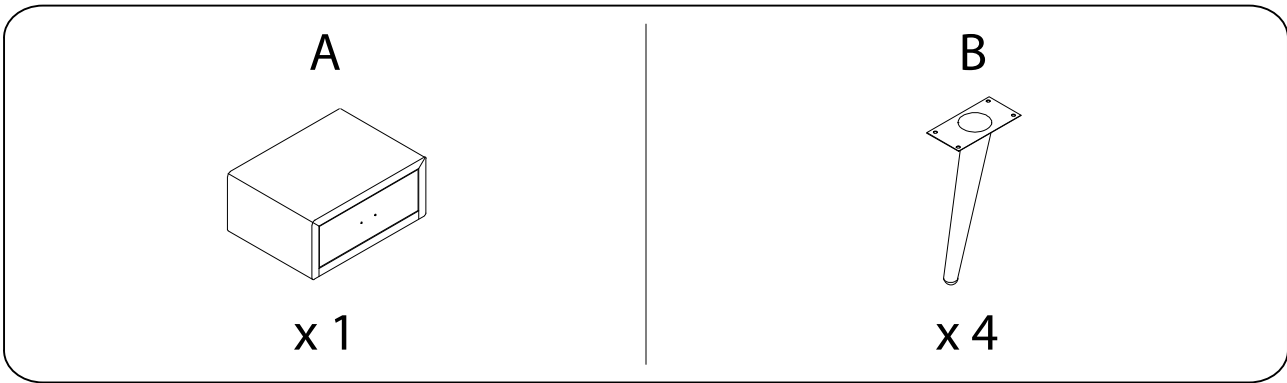


1/4

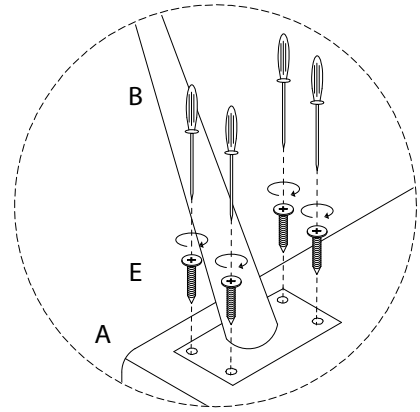
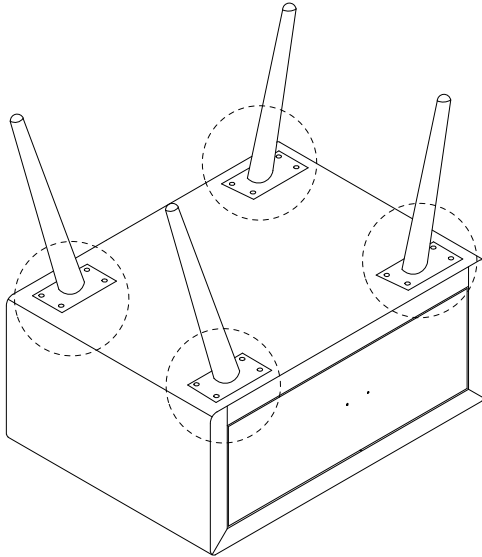
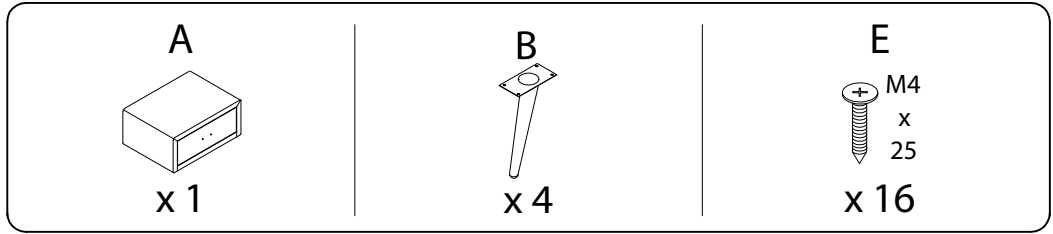
15'

1

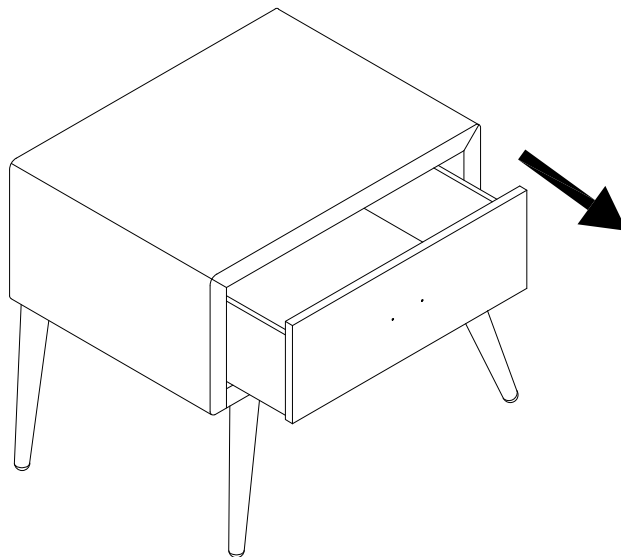
The assembly instructions for step 1/4 are presented in two rows. The first row shows a circular icon containing a screwdriver and a crossed-out power drill, with a warning triangle to its right. Below this row is a clock icon with the text '15'' underneath it. The second row shows a circular icon containing a rectangular block being placed on a textured surface and a crossed-out block with a double-headed arrow indicating a gap, with a warning triangle to its right. Below this row is a person icon with the number '1' underneath it. The number '1/4' is centered at the bottom of the entire instruction block.



1

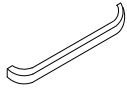


2



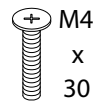
3

C



x 1

D



M4

x  
30

x 2

