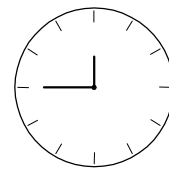
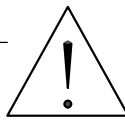
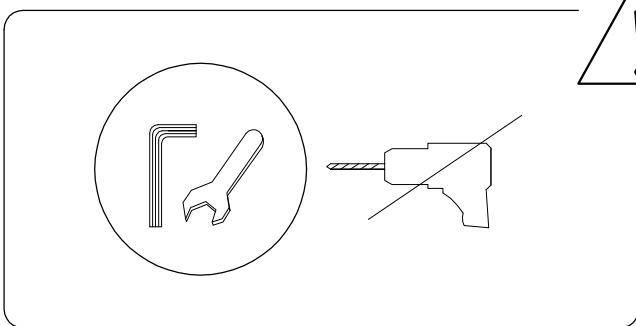
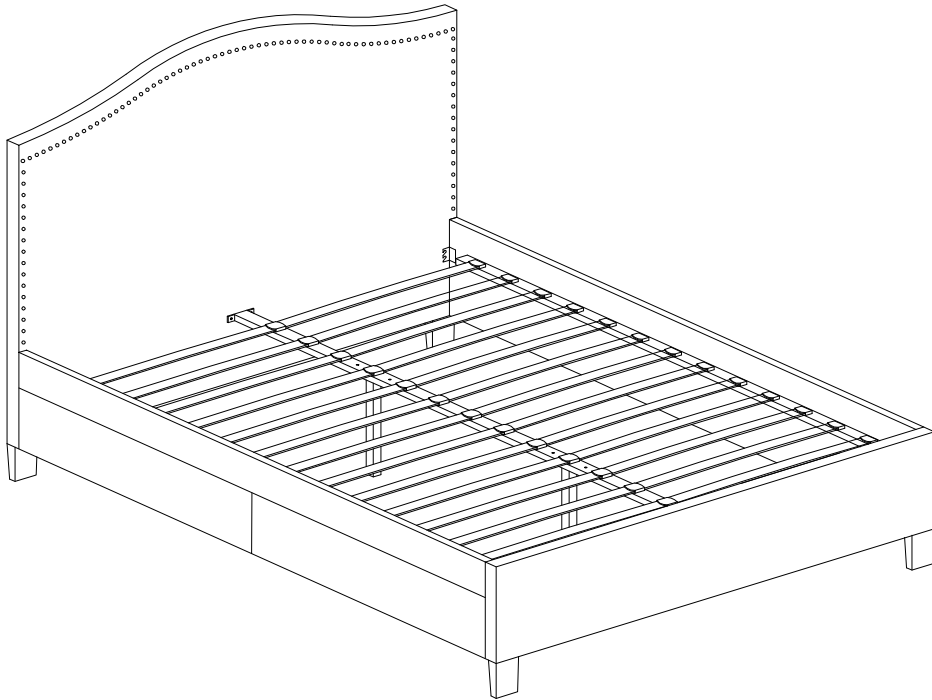
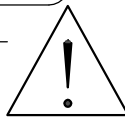
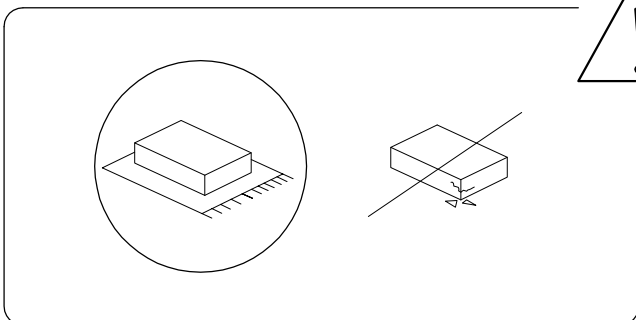


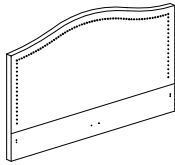
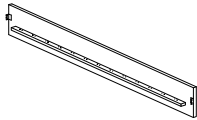
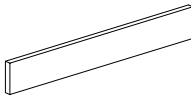
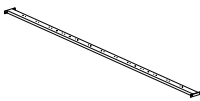
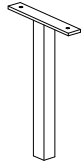

# A

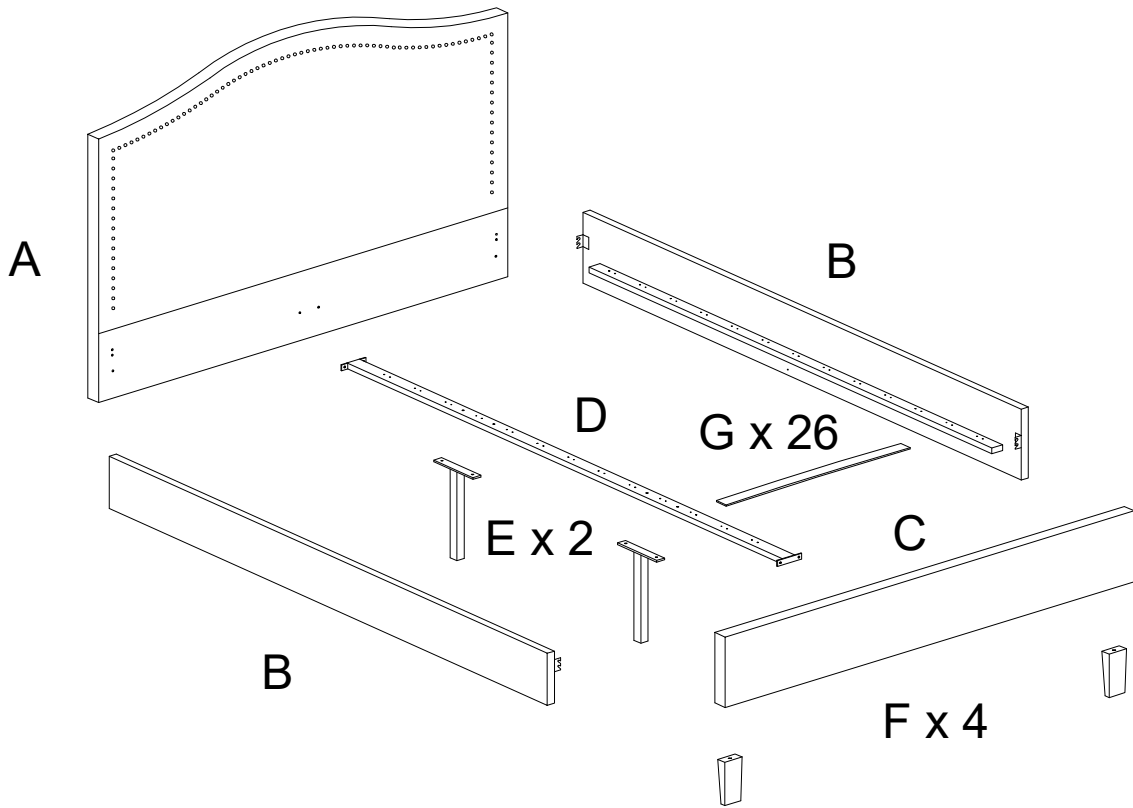




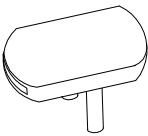
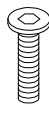
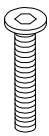
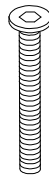
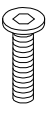
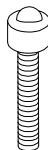
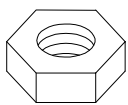
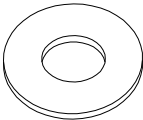
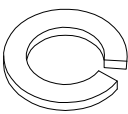
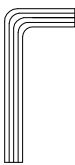
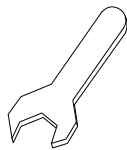
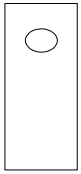
45'



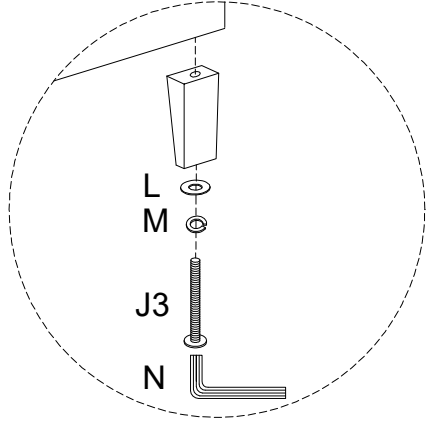
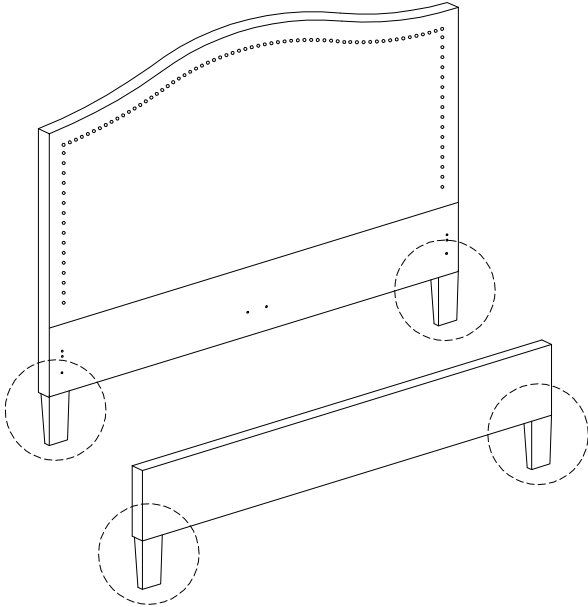
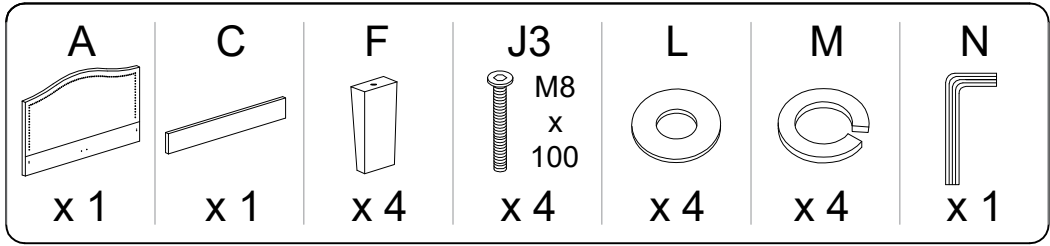
2

<b>A</b>	<b>B</b>	<b>C</b>	<b>D</b>	<b>E</b>	<b>F</b>
					
<b>x 1</b>	<b>x 2</b>	<b>x 1</b>	<b>x 1</b>	<b>x 2</b>	<b>x 4</b>

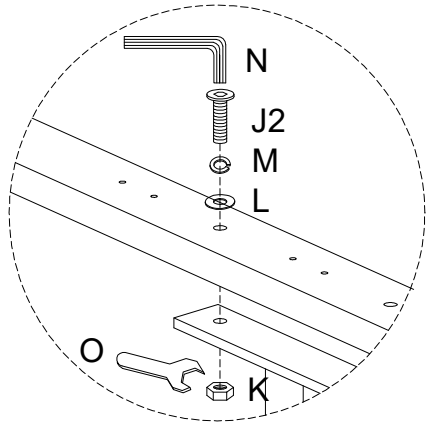
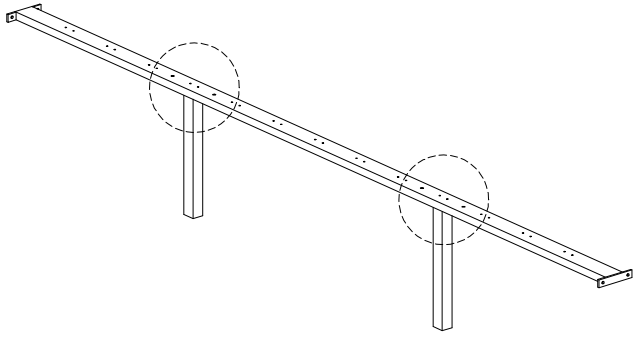
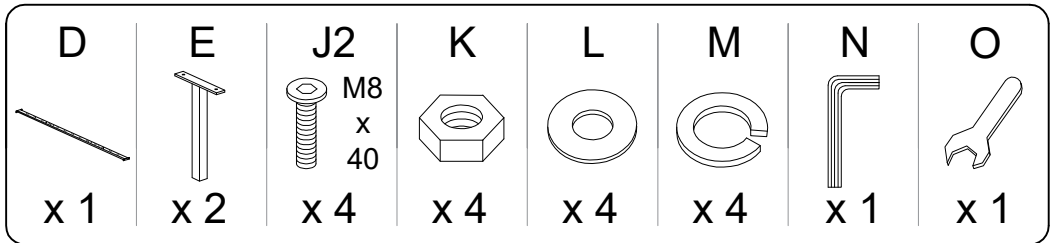


<b>G</b>	<b>H</b>	<b>I</b>	<b>J1</b>	<b>J2</b>	<b>J3</b>	<b>J4</b>
			 M8 x 30	 M8 x 40	 M8 x 100	 M8 x 20
<b>x 26</b>	<b>x 26</b>	<b>x 13</b>	<b>x 8</b>	<b>x 8</b>	<b>x 4</b>	<b>x 2</b>
<b>J5</b>	<b>K</b>	<b>L</b>	<b>M</b>	<b>N</b>	<b>O</b>	<b>P</b>
 M8 x 40						
<b>x 4</b>	<b>x 4</b>	<b>x 22</b>	<b>x 22</b>	<b>x 1</b>	<b>x 1</b>	<b>x 2</b>

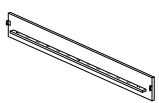
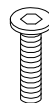
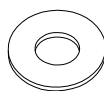
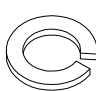
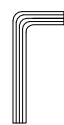
1

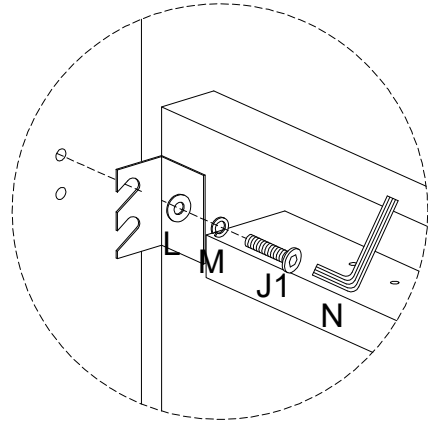
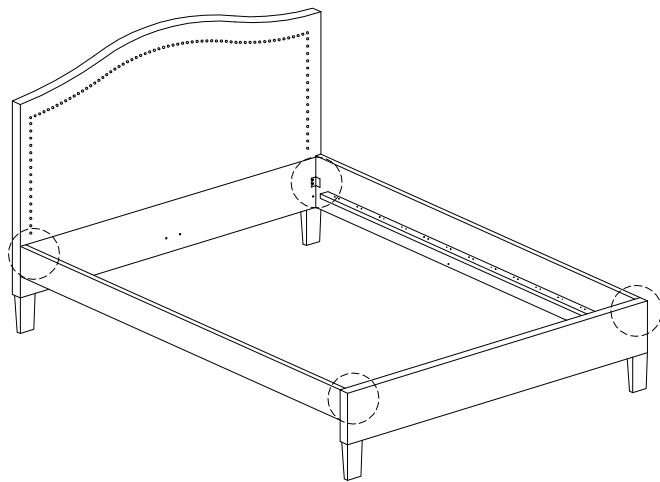


2

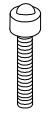


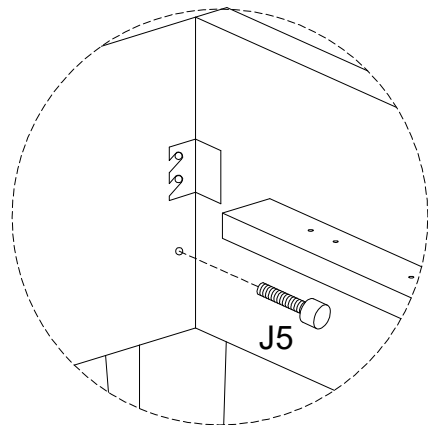
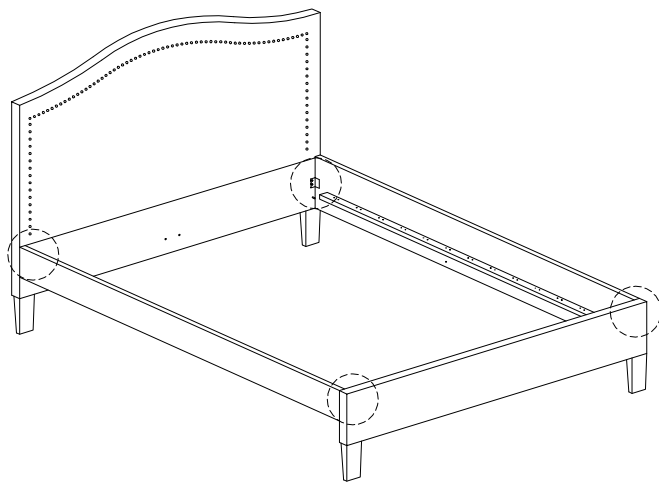
3

<b>B</b>  x 2	<b>J1</b>  M8 x 30 x 8	<b>L</b>  x 8	<b>M</b>  x 8	<b>N</b>  x 1
--	--	--	--	--


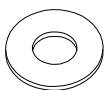

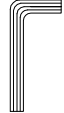
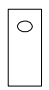


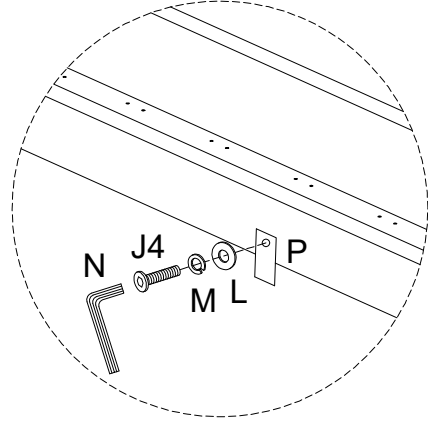
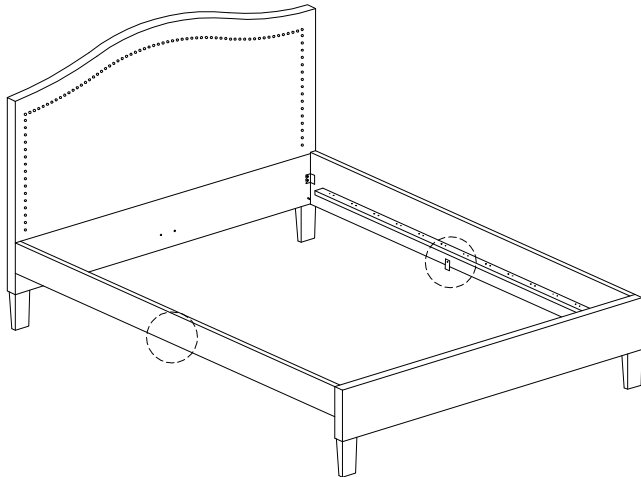
4

<b>J5</b>  M8 x 30 x 4
--

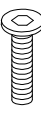
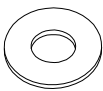
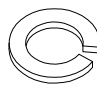
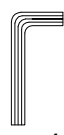


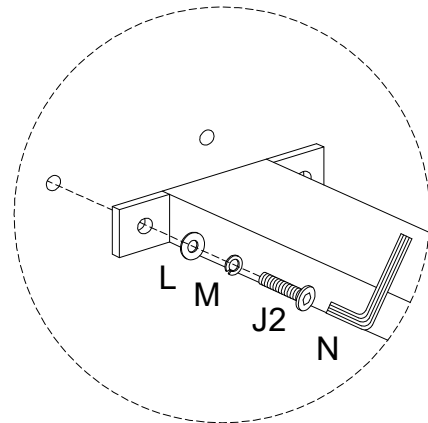
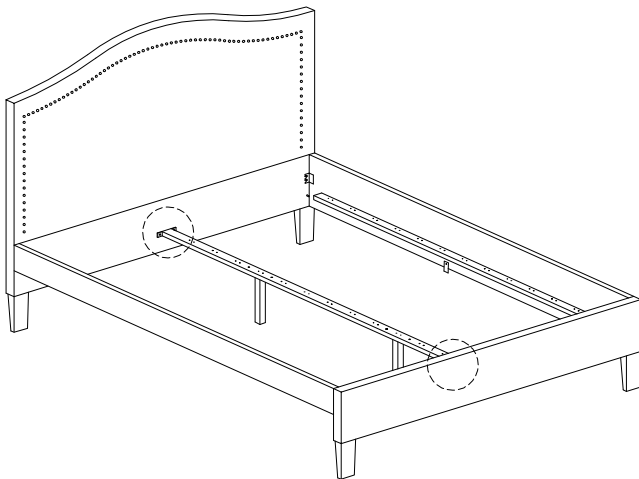
5

<b>J4</b>  M8 x 20 x 2	<b>L</b>  x 2	<b>M</b>  x 2	<b>N</b>  x 1	<b>P</b>  x 2
---	--	--	--	--

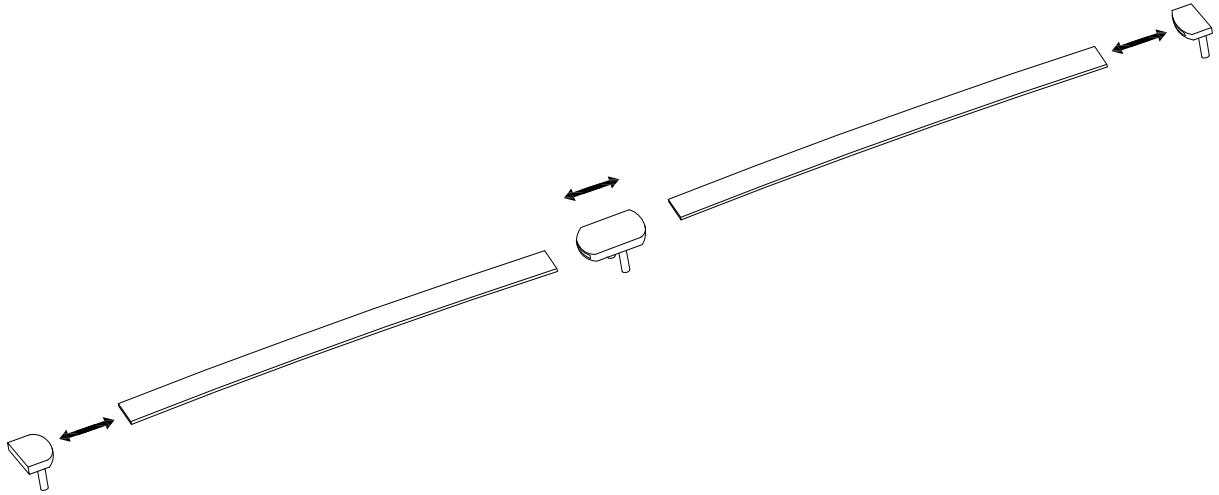
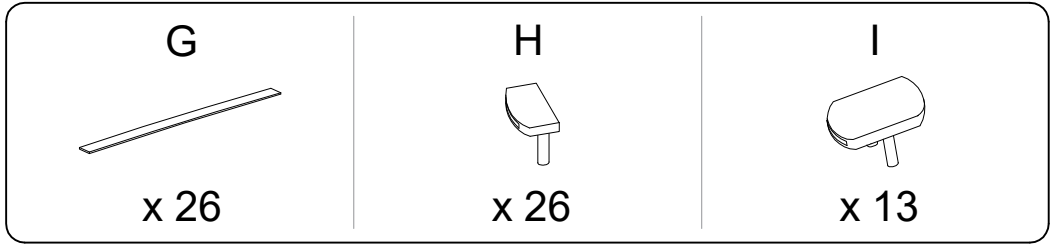


4

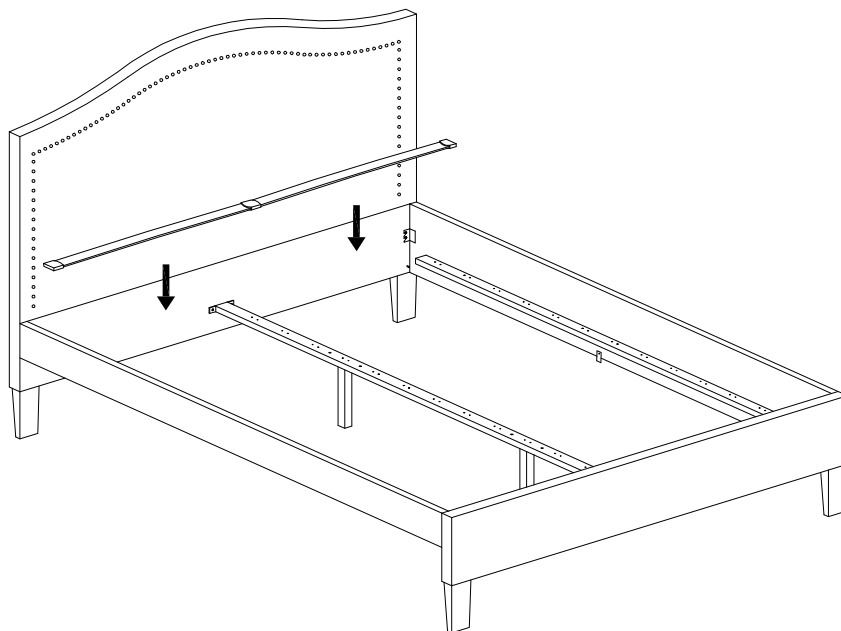
<b>J2</b>  M8 x 30 x 4	<b>L</b>  x 4	<b>M</b>  x 4	<b>N</b>  x 1
---	--	---	--



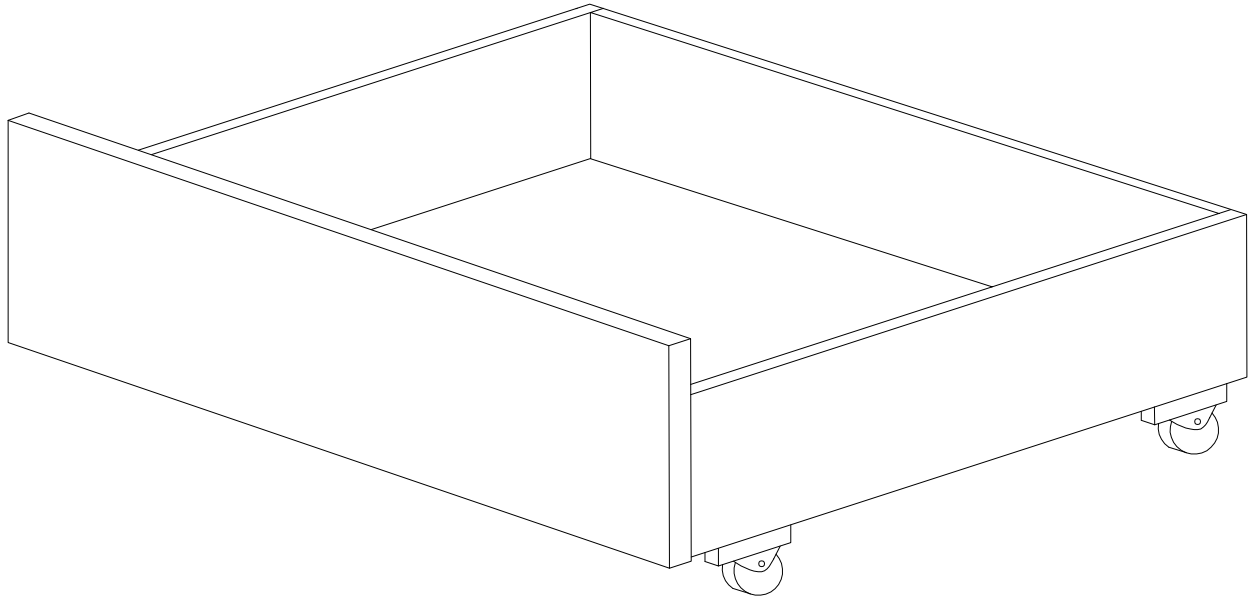
5



6

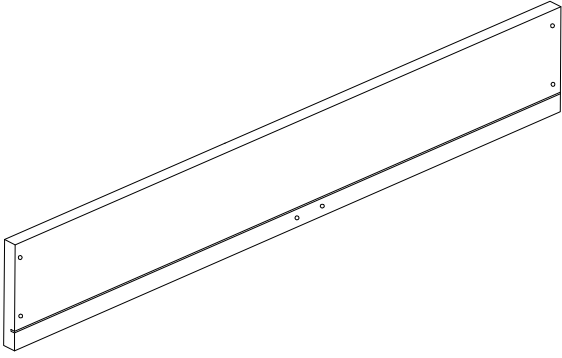


# B x 4

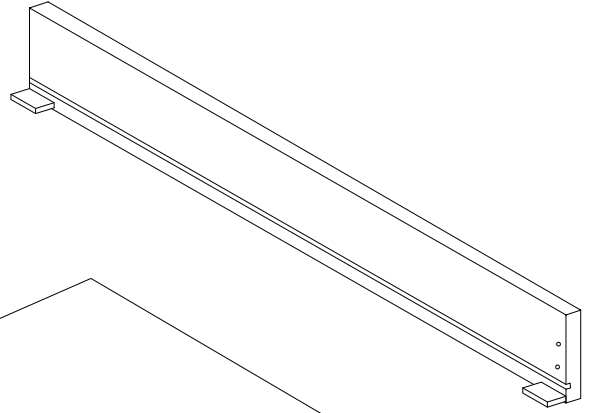


A circular icon containing a screwdriver. To its right is a power drill with a diagonal line through it, indicating it should not be used.	A warning triangle with an exclamation mark inside.	A circular clock face with tick marks around the perimeter.
A circular icon showing a rectangular block on a mat with a hatched pattern. To its right is a rectangular block on a flat surface with a diagonal line through it, indicating it should not be placed directly on the surface.	A warning triangle with an exclamation mark inside.	A simple line drawing of a person. Below it is the number '2'.

1



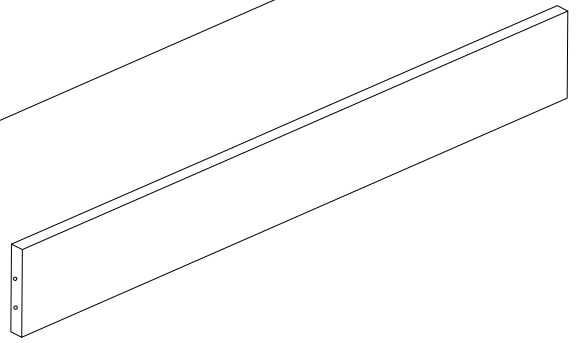
3



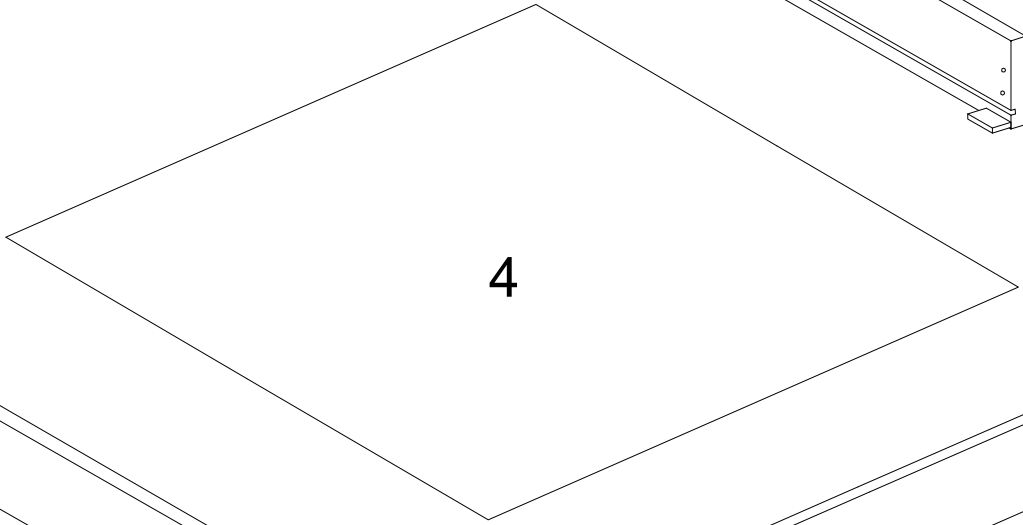
2



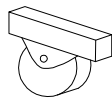
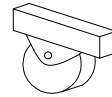
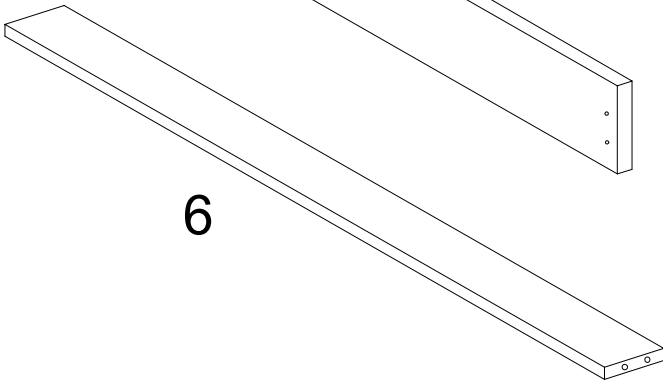
5



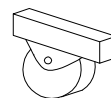
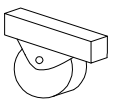
4



6

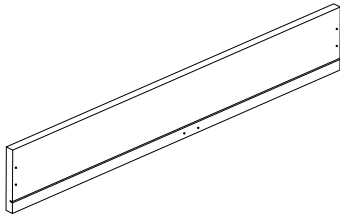


B x 4



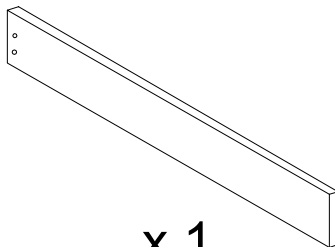


1



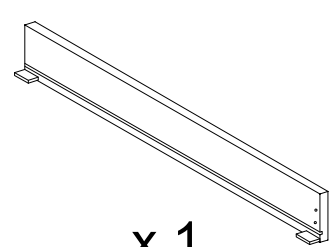
x 1

2



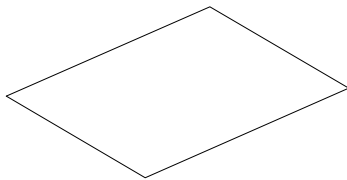
x 1

3



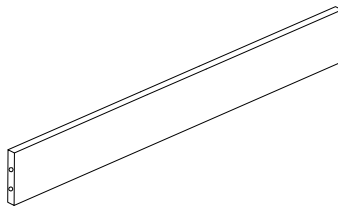
x 1

4



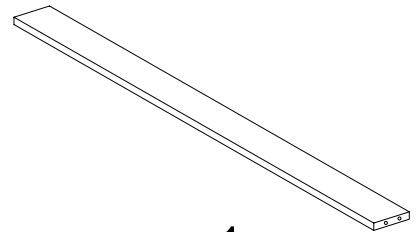
x 1

5



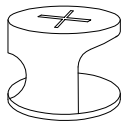
x 1

6



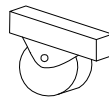
x 1

A



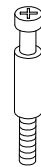
x 8

B



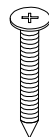
x 4

C



x 8

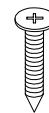
D



M4  
x  
30

x 4

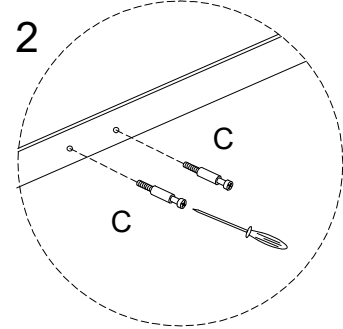
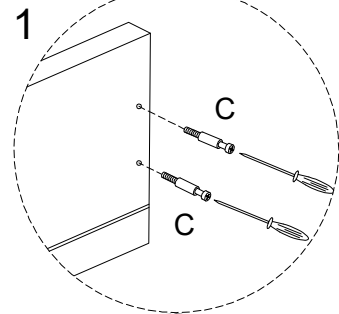
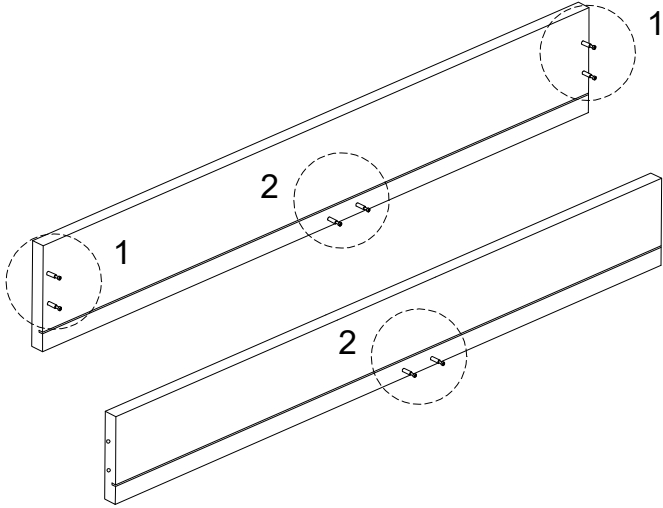
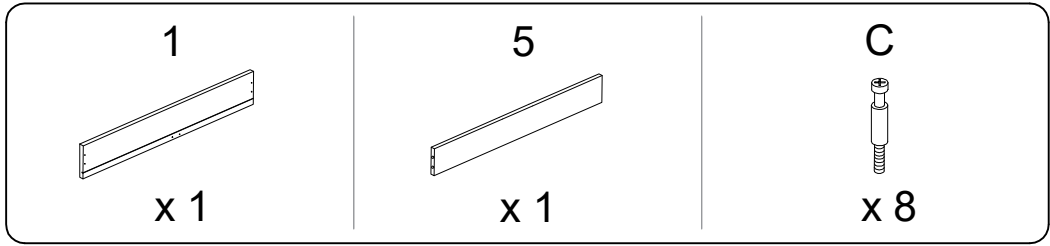
E



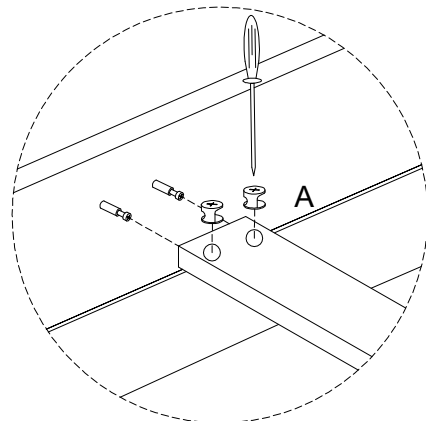
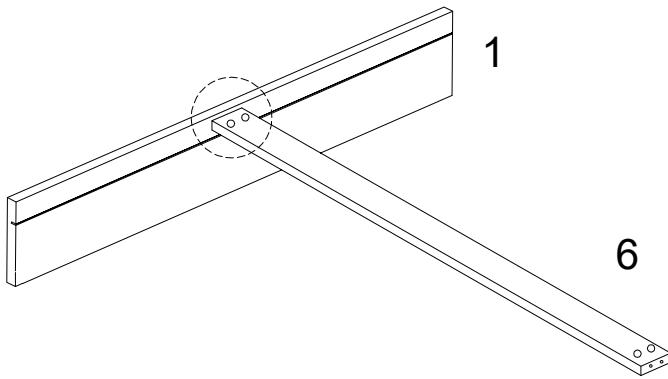
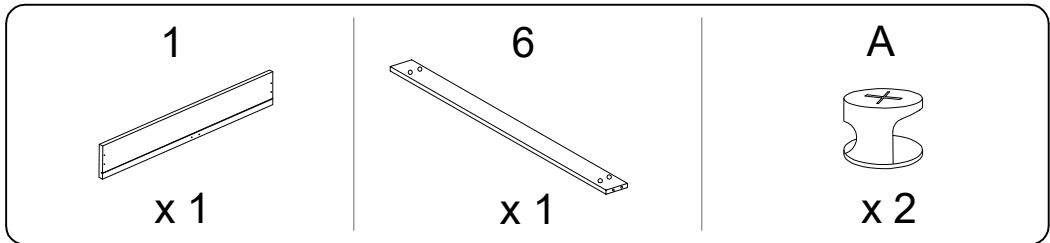
M4  
x  
15

x 16

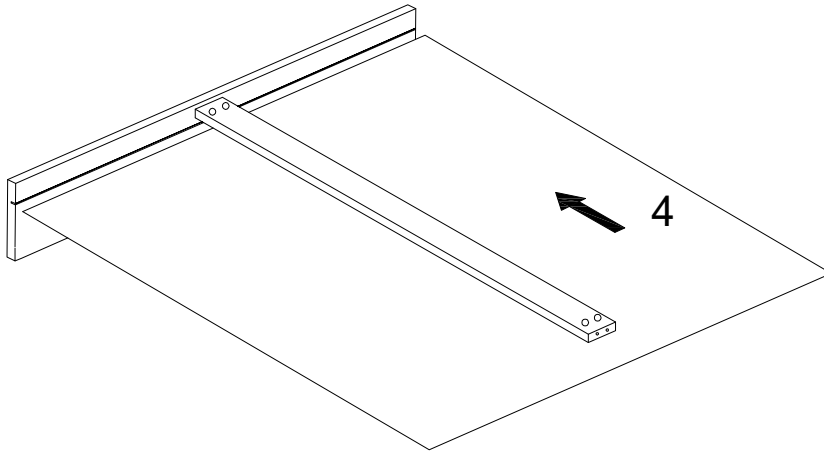
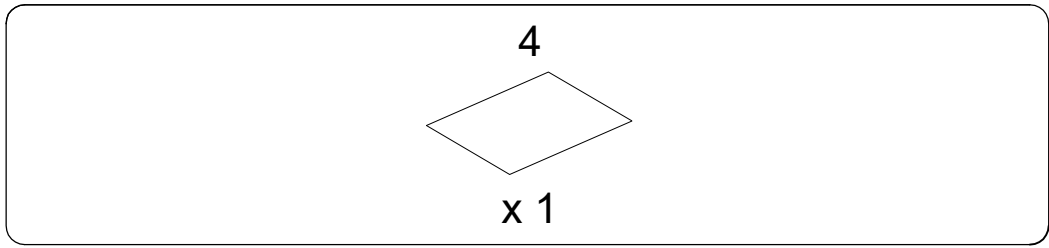
1



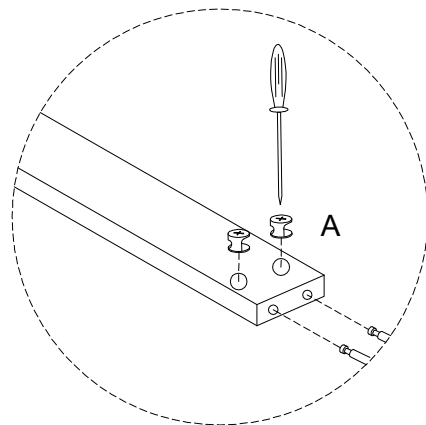
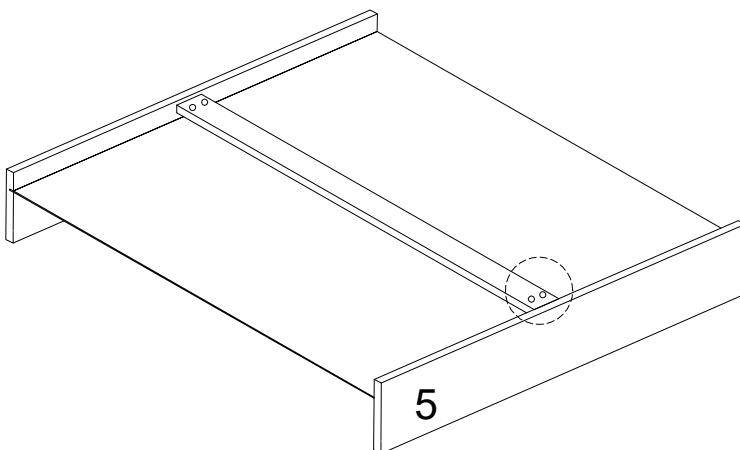
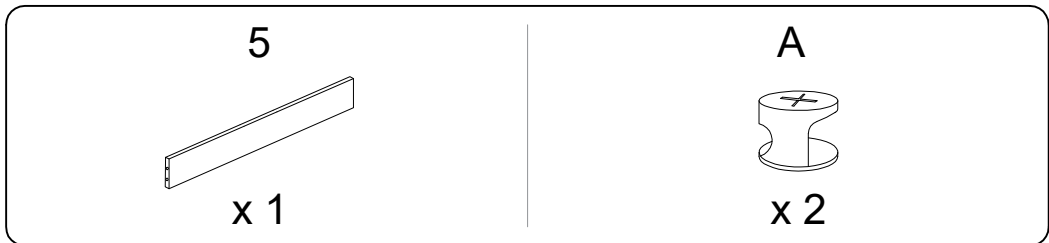
2



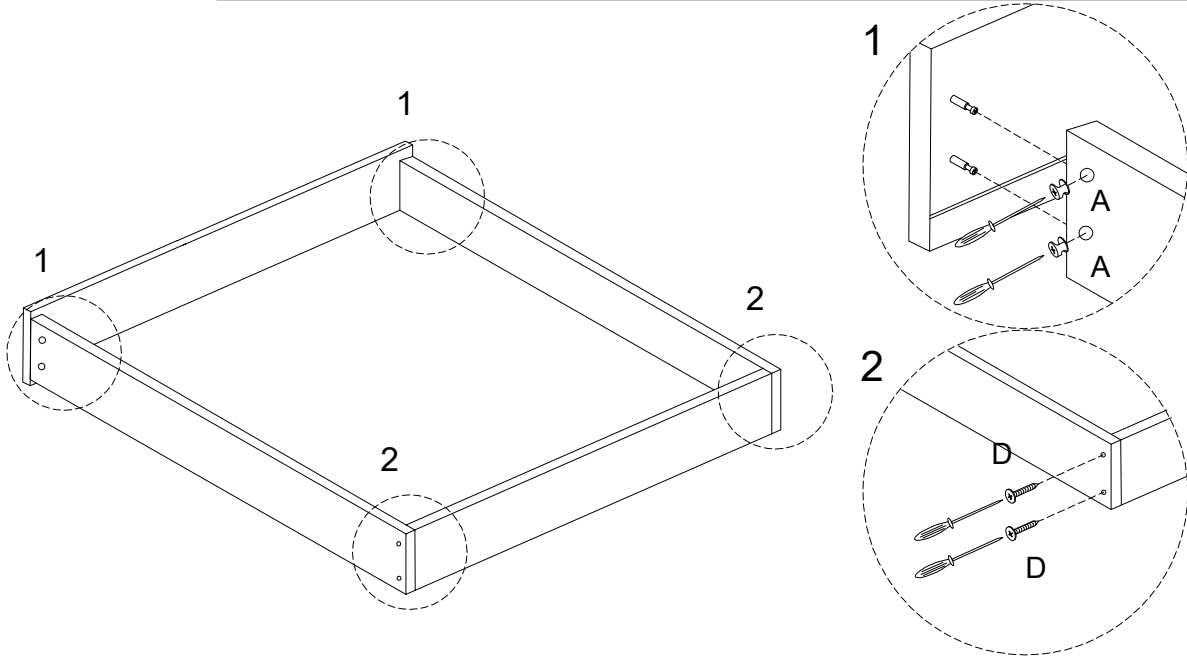
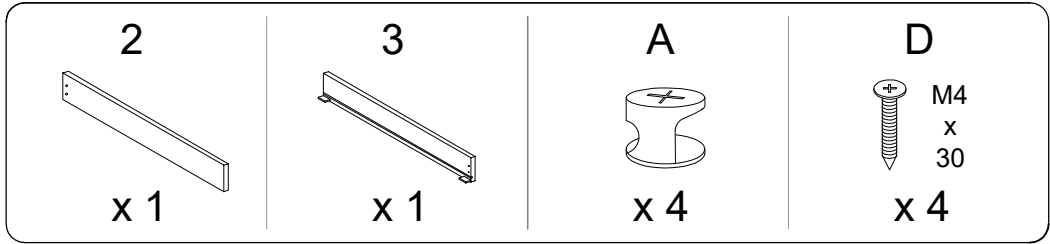
3



4



5



6

