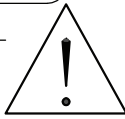
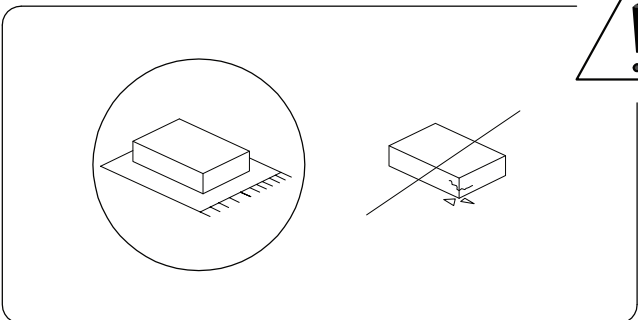
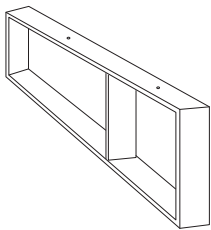
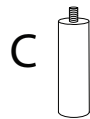
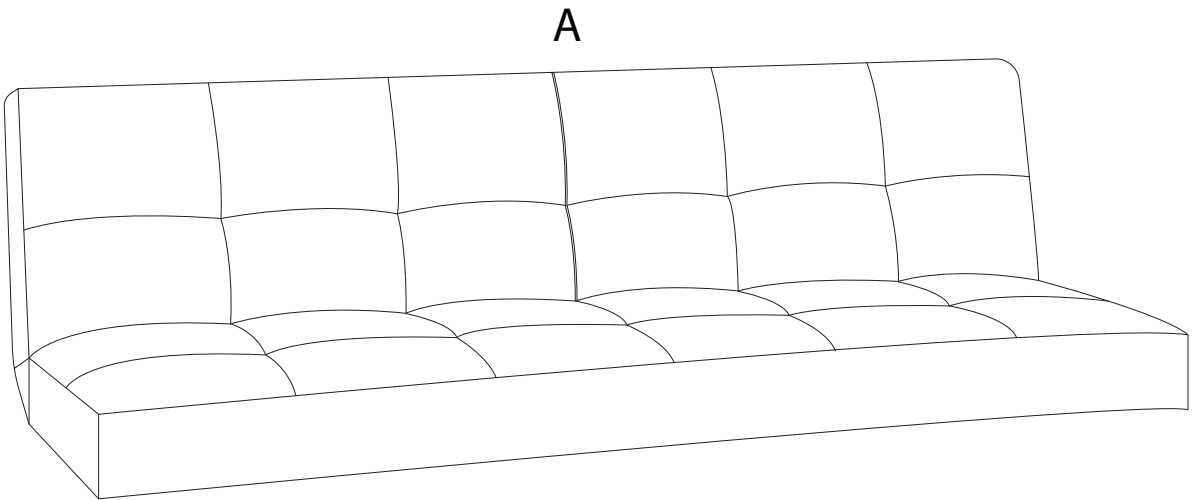
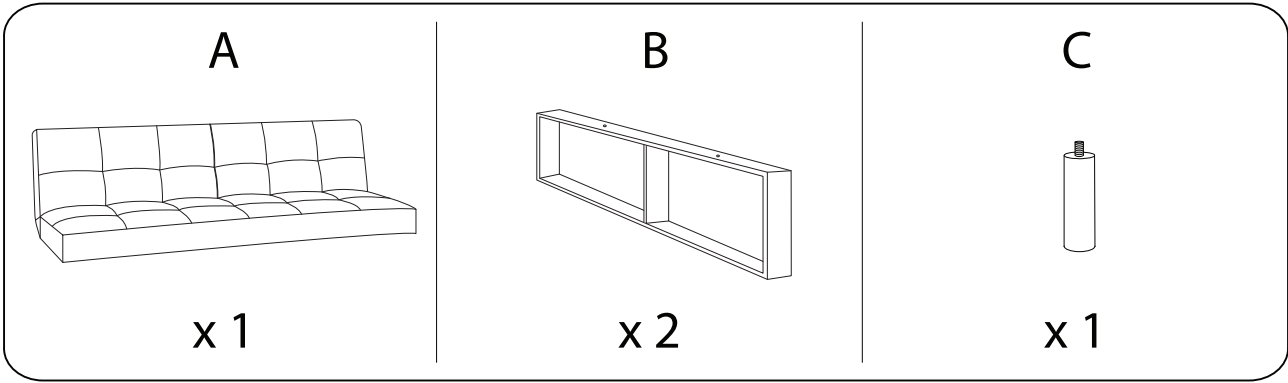


20'

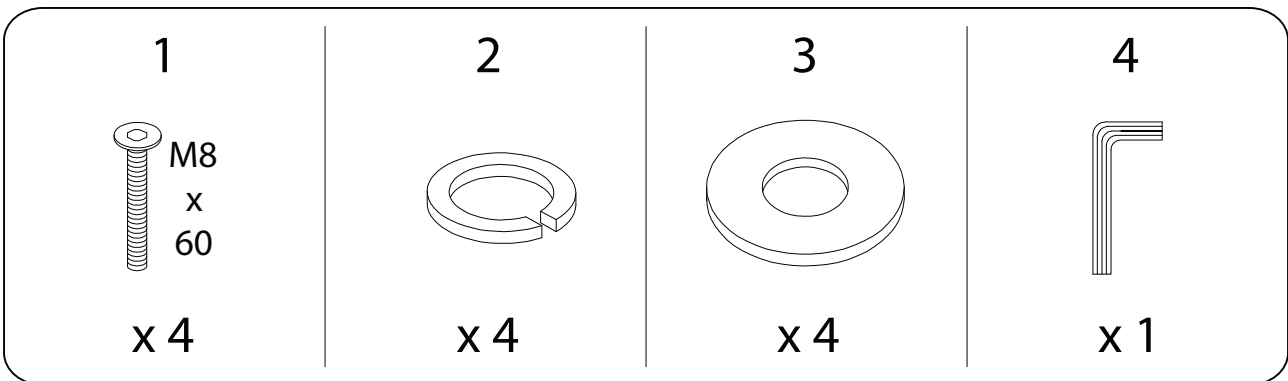
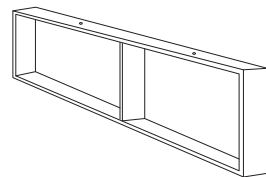


1

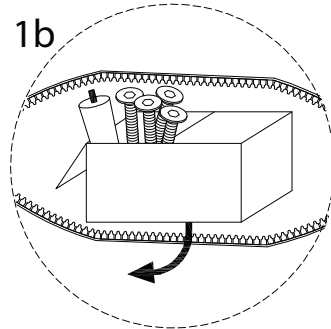
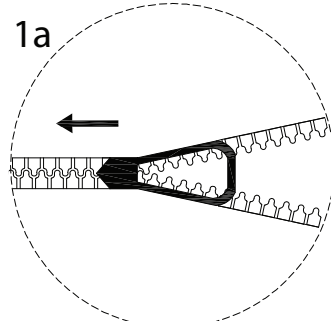
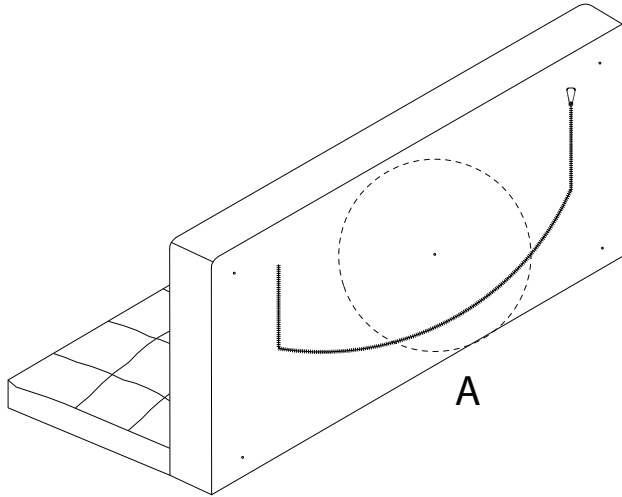
1/5



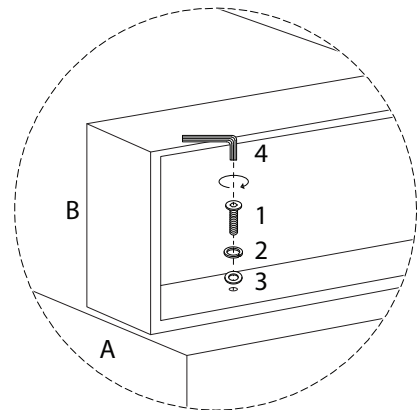
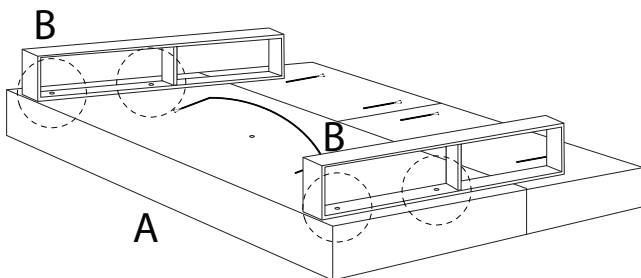
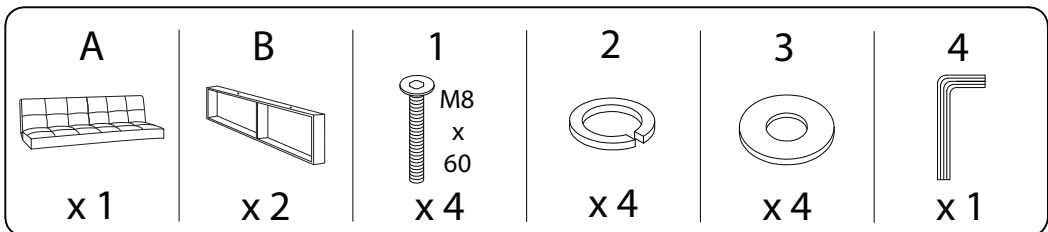
B x 2



!

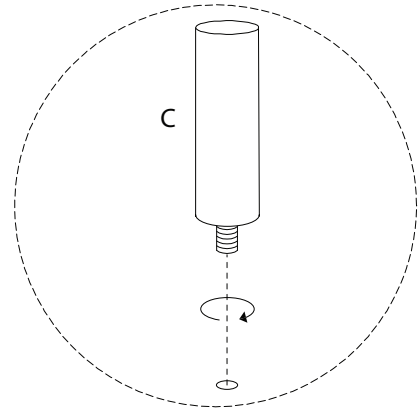
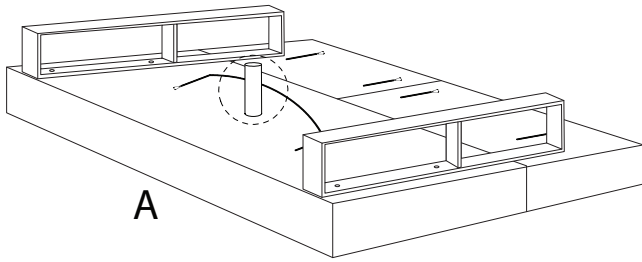


1



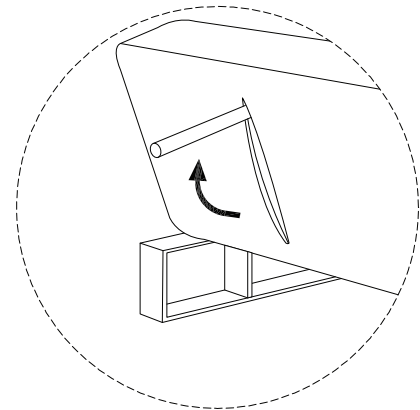
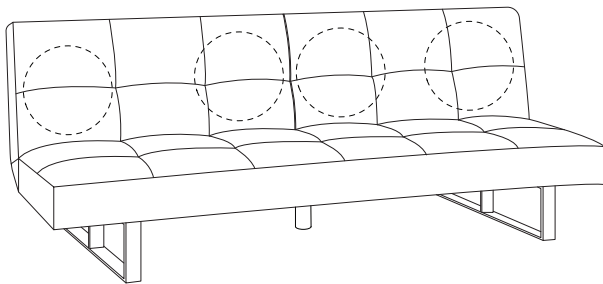
2

C
x 1



3

A



4

