
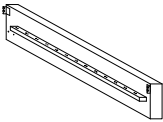
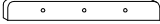

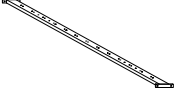
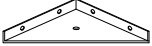
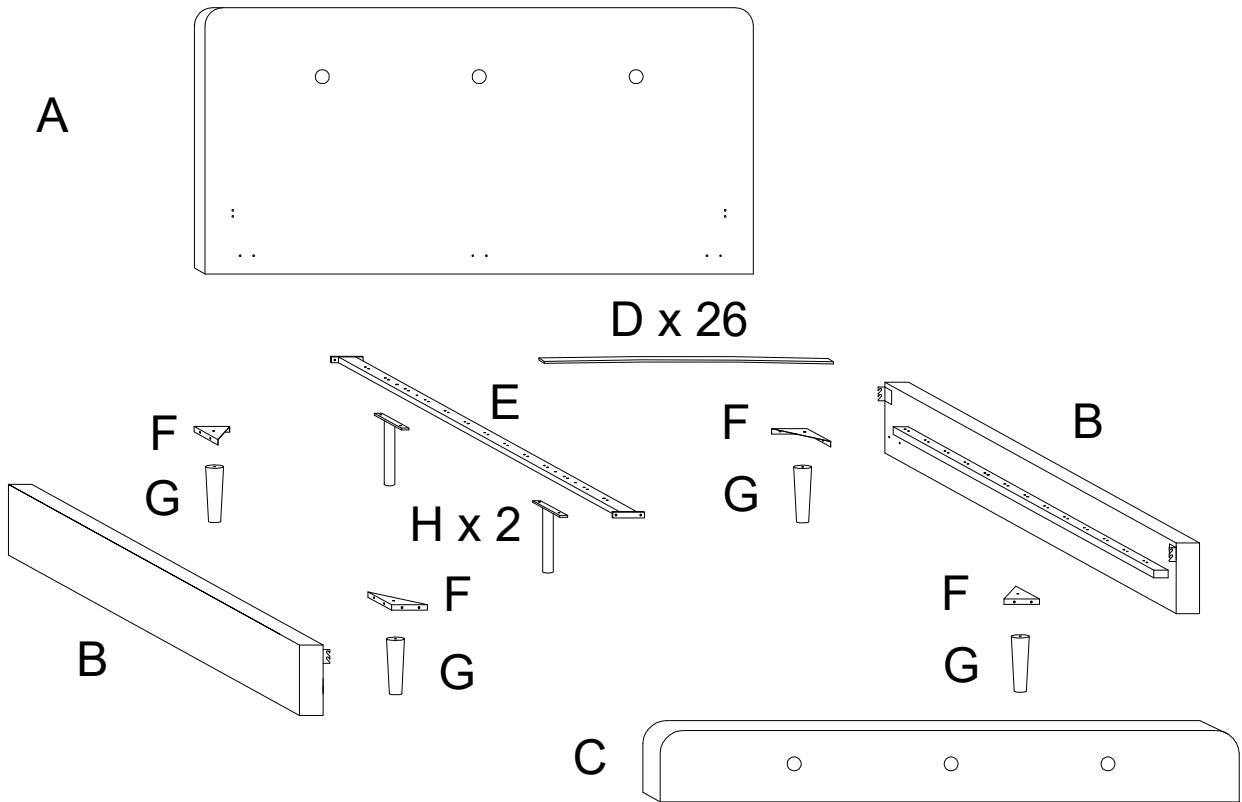

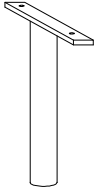
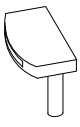
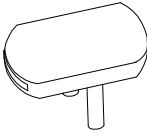

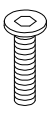
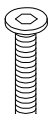

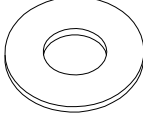
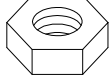

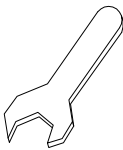


Assembly instructions for step 1/6:




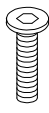

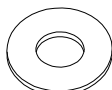
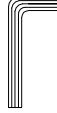
- Tools:** An icon shows an Allen key and a wrench. A power drill is shown with a diagonal line through it, indicating it should not be used.
- Warning:** A triangle with an exclamation mark indicates a warning.
- Time:** A clock icon is shown above the number "60'", indicating the estimated assembly time is 60 minutes.
- Personnel:** An icon of a person is shown above the number "2", indicating that two people are required for assembly.

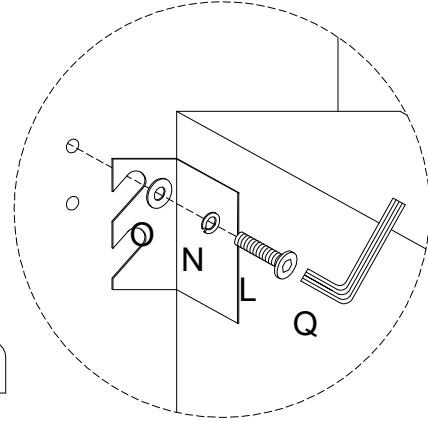
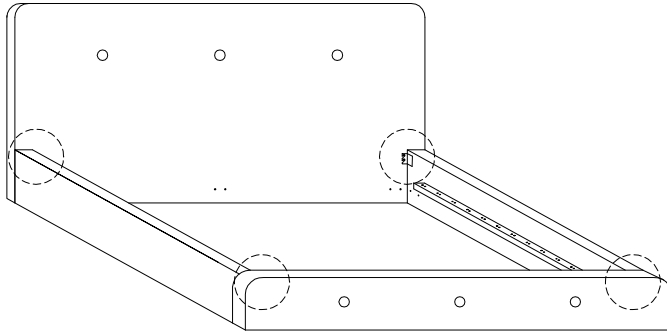
A	B	C	D	E	F
					
x 1	x 2	x 1	x 26	x 1	x 4




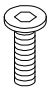

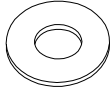

G	H	I	J	K	L
					
x 4	x 2	x 26	x 13	x 16	x 16
M	N	O	P	Q	R
					
x 4	x 28	x 28	x 4	x 1	x 1

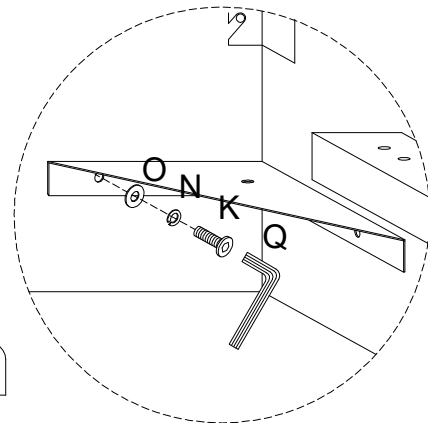
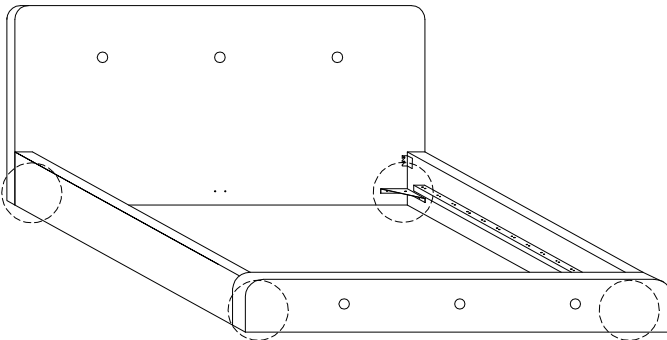
1

A  x 1	B  x 2	C  x 1	L  M8 x 30 x 8	N  x 8	O  x 8	Q  x 1
--	--	--	--	---	--	--

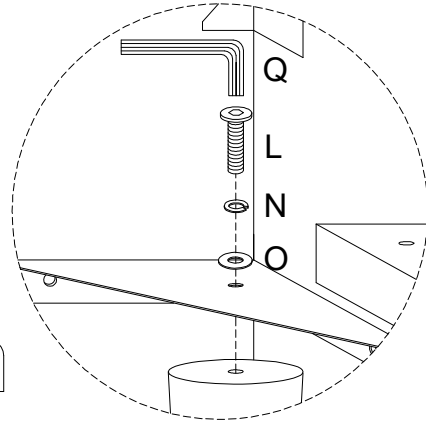
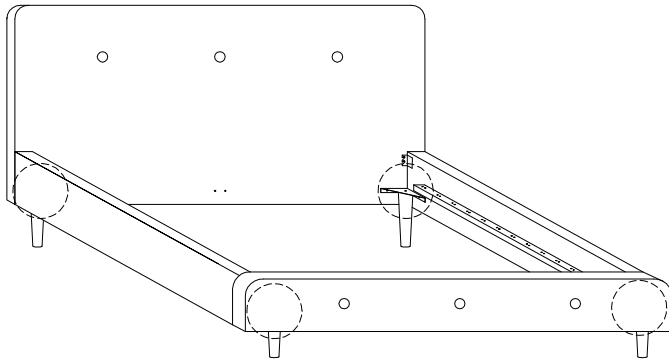
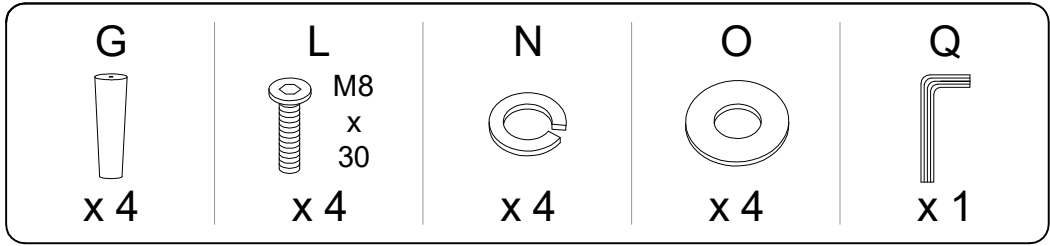


2

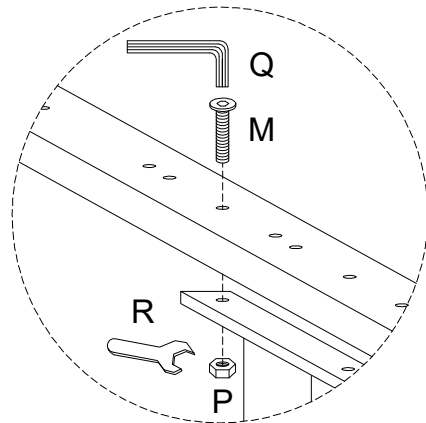
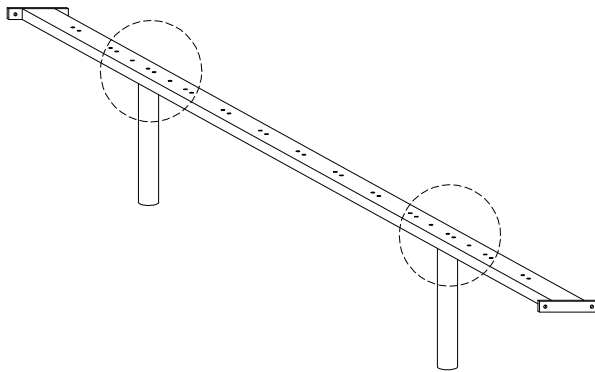
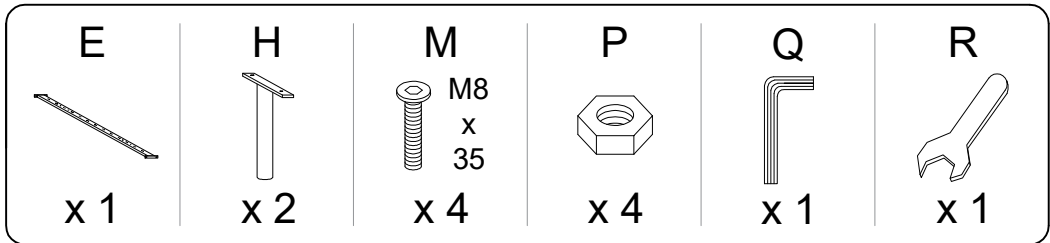
F  x 4	K  M8 x 25 x 16	N  x 16	O  x 16	Q  x 1
--	---	---	---	--



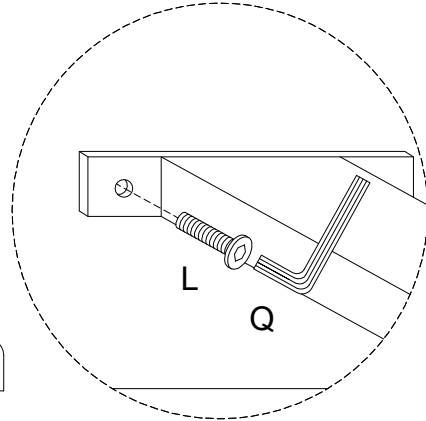
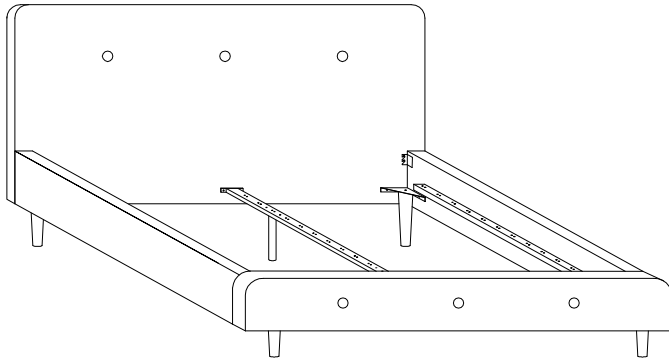
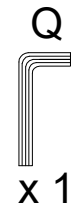
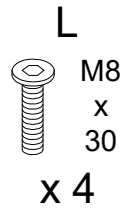
3



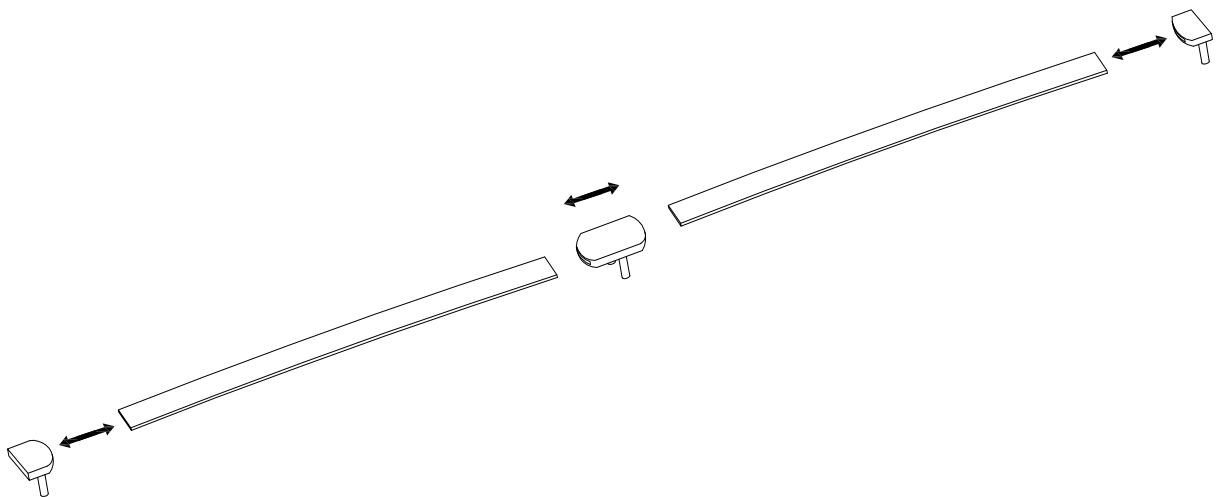
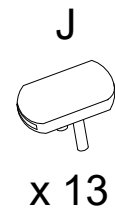
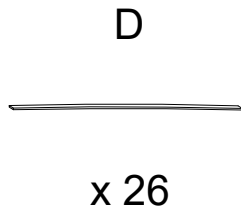
4



5



6



7

