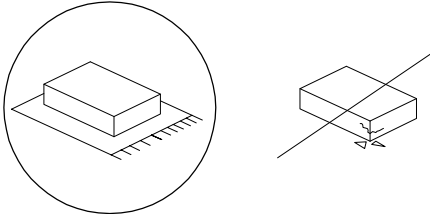
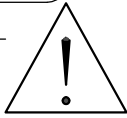



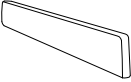
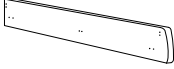
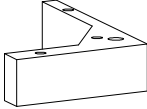

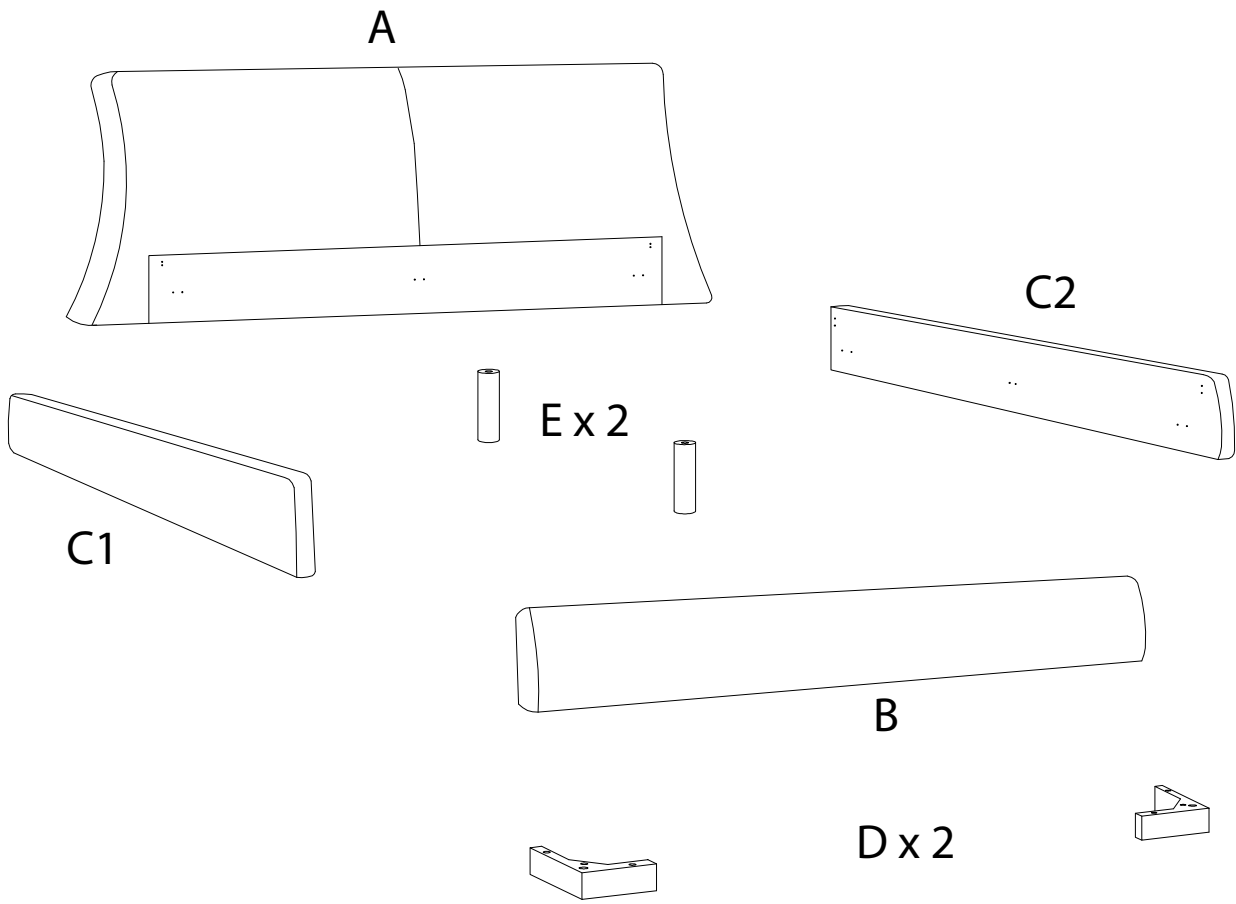
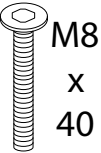
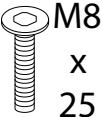

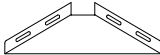
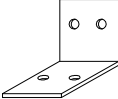

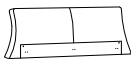

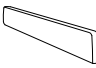


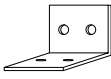
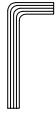

		40'
		
		2

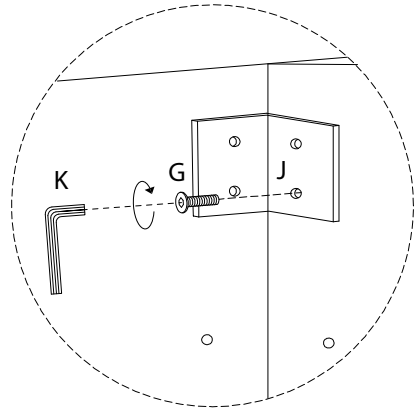
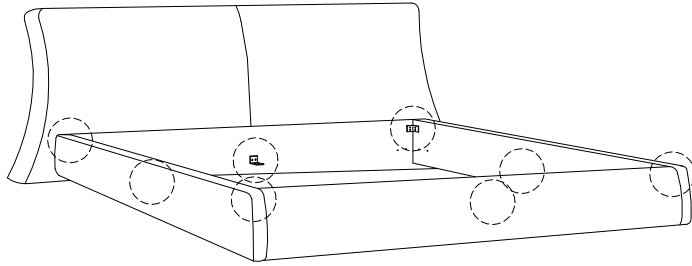
A	B	C1	C2	D	E
					
x 1	x 1	x 1	x 1	x 2	x 2




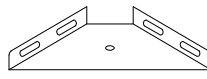
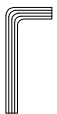
F	G	H	I	J	K
					
x 2	x 40	x 8	x 4	x 8	x 1

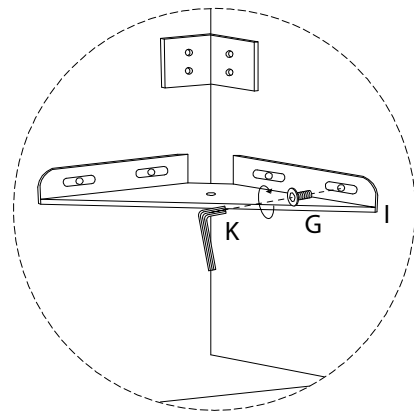
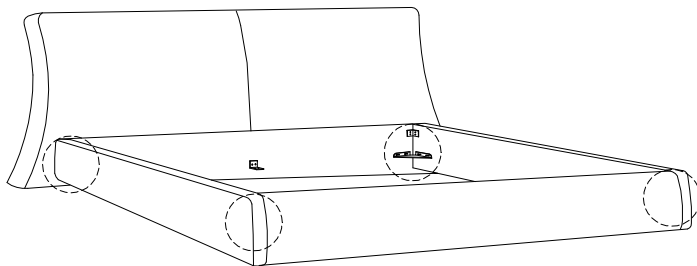
1

A  x1	B  x1	C1  x1	C2  x1	G  M8 x 25 x32	J  x10	K  x1
---	---	--	--	---	--	---



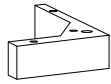
2

G  M8 x 25 x16	I  x4	K  x1
---	---	---



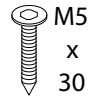
3

D



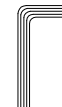
x 2

H

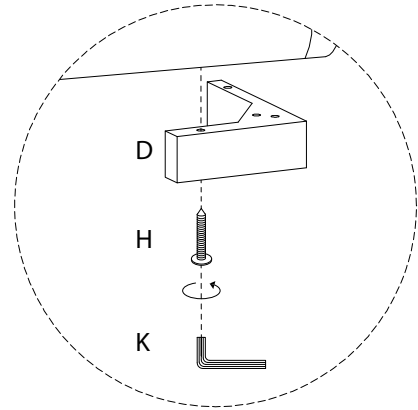
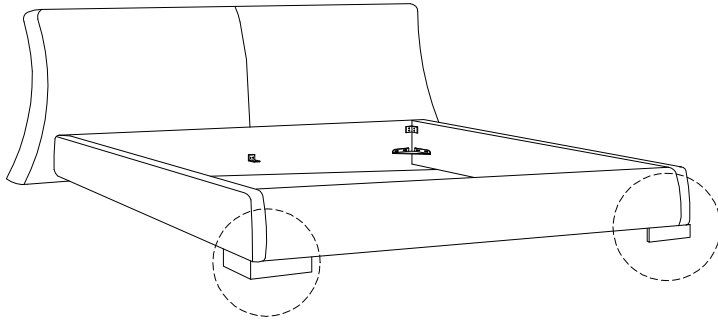


x 8

K



x 1



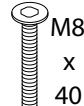
2

E



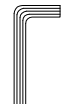
x 2

F



x 2

K



x 1

