

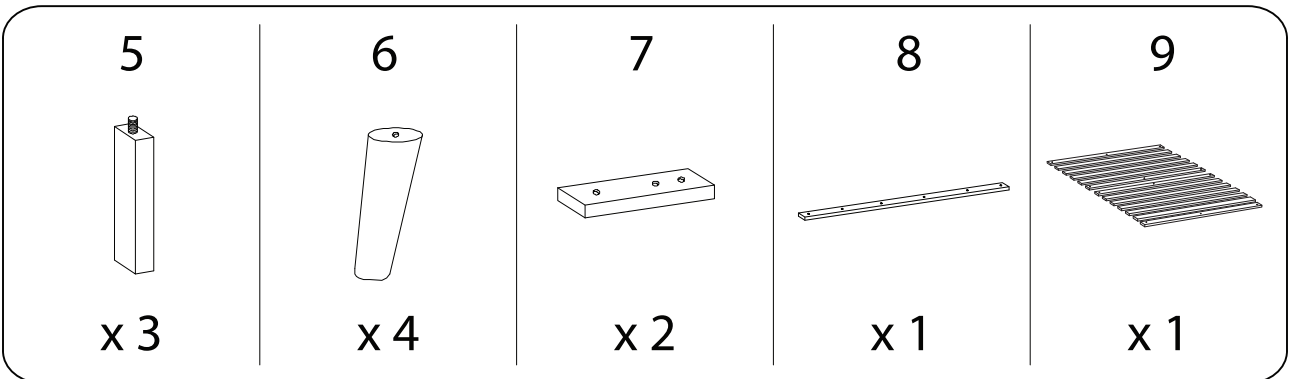
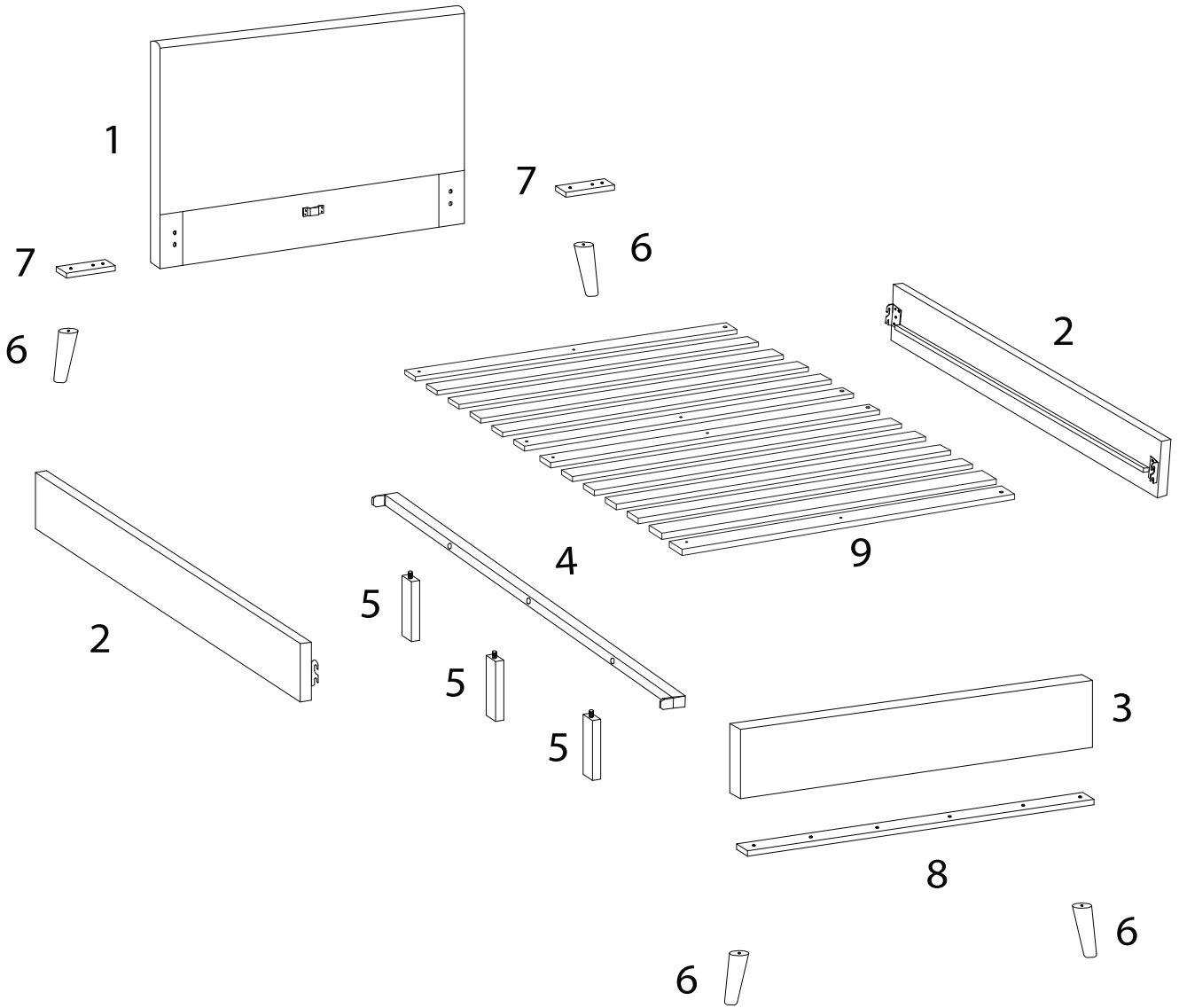
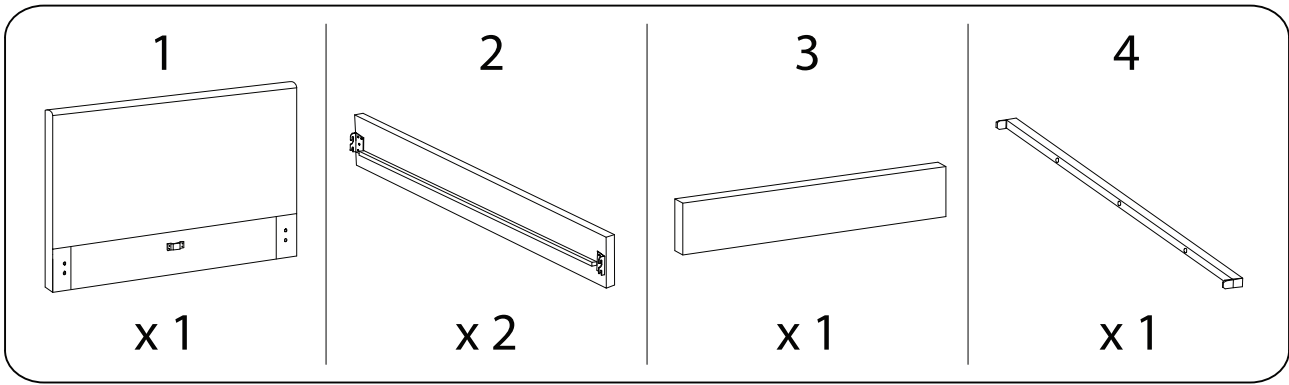
Assembly instructions for the bed frame, including tool requirements, time estimate, and personnel needed.

**Tools:** A circle containing a screwdriver and an Allen key. A power drill is shown with a diagonal line through it, indicating it is not required.

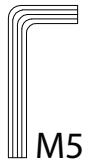
**Time:** A clock icon with the number 40' below it, indicating an estimated assembly time of 40 minutes.

**Personnel:** A stick figure icon with the number 2 below it, indicating that two people are required for assembly.

**Warnings:** Two warning triangles (exclamation marks) are present. The first is connected to the tool icons, and the second is connected to the personnel icon.

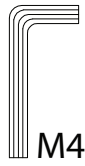


A



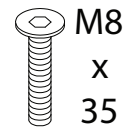
x 1

B



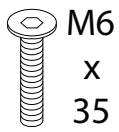
x 1

C



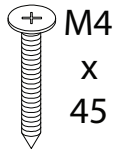
x 4

D



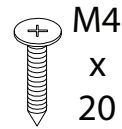
x 8

E



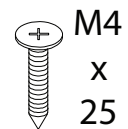
x 4

F






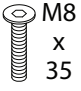
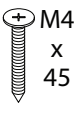
x 2

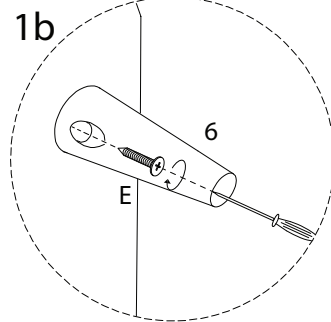
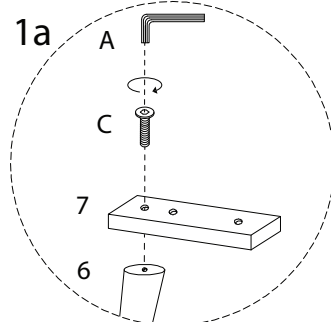
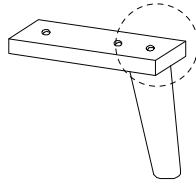
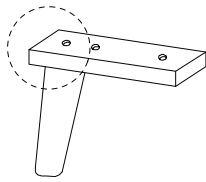
G






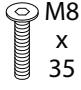
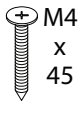
x 12

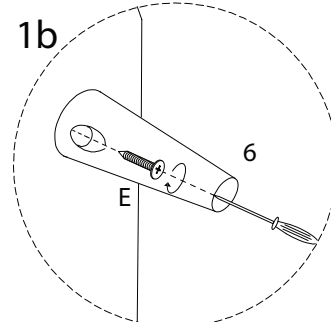
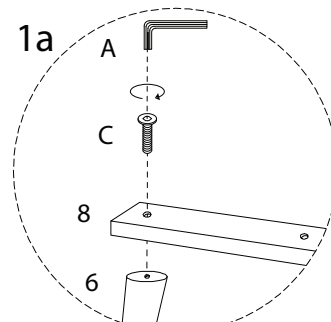
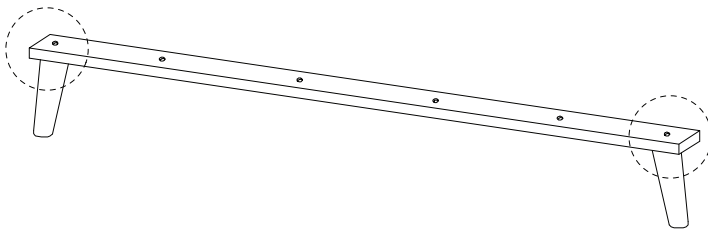
1

<b>6</b>  x 2	<b>7</b>  x 2	<b>A</b>  M5 x 1	<b>C</b>  M8 x 35 x 2	<b>E</b>  M4 x 45 x 2
--	--	--	--	--

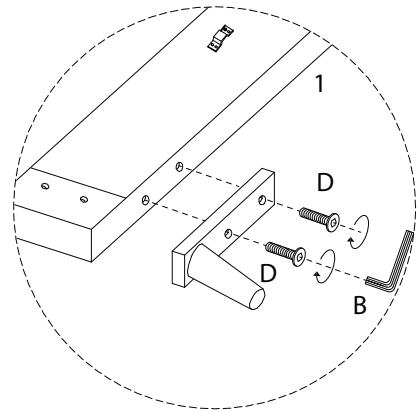
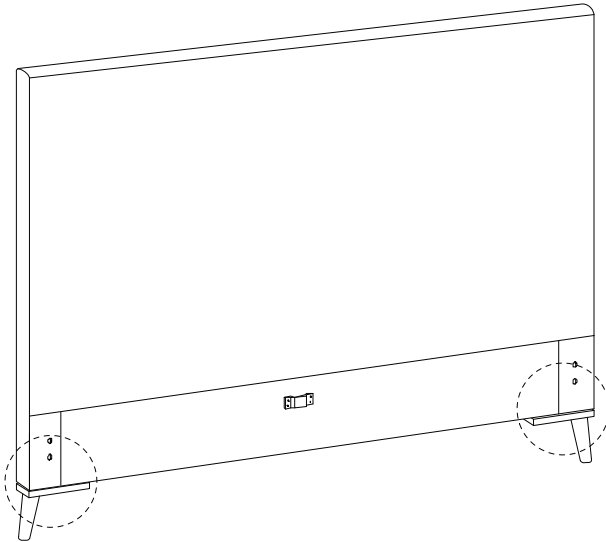
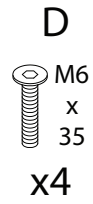
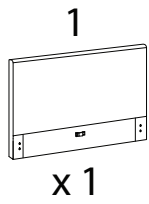


2

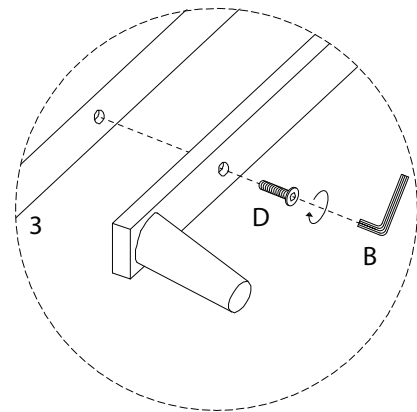
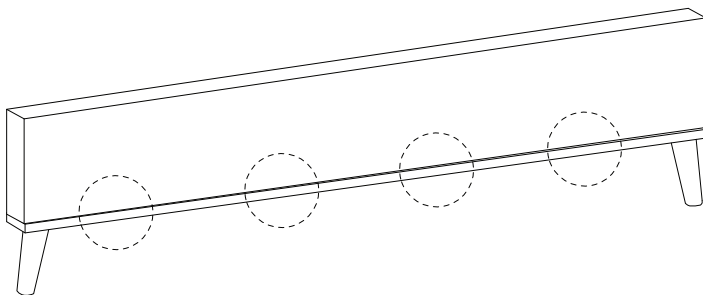
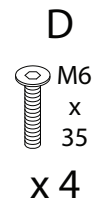
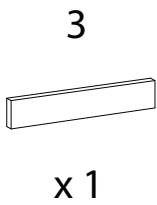
<b>6</b>  x 2	<b>8</b>  x 1	<b>A</b>  M5 x 1	<b>C</b>  M8 x 35 x 2	<b>E</b>  M4 x 45 x 2
--	--	--	--	--



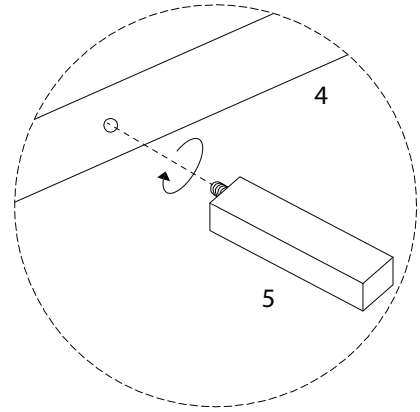
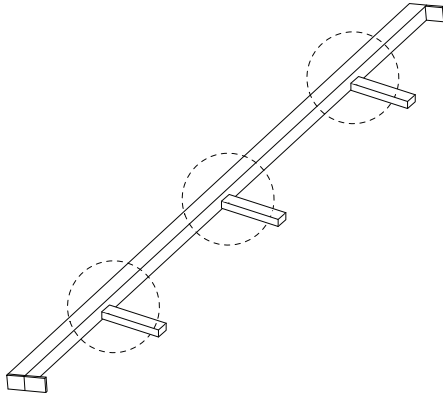
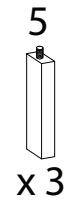
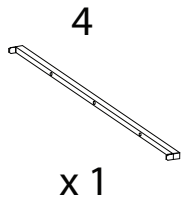
3



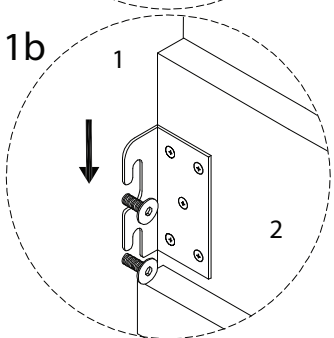
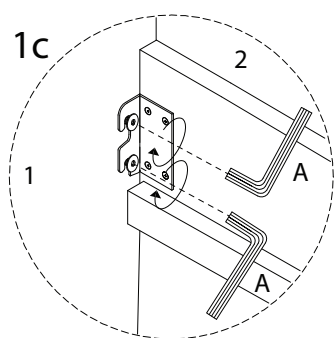
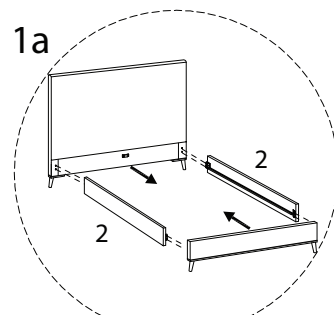
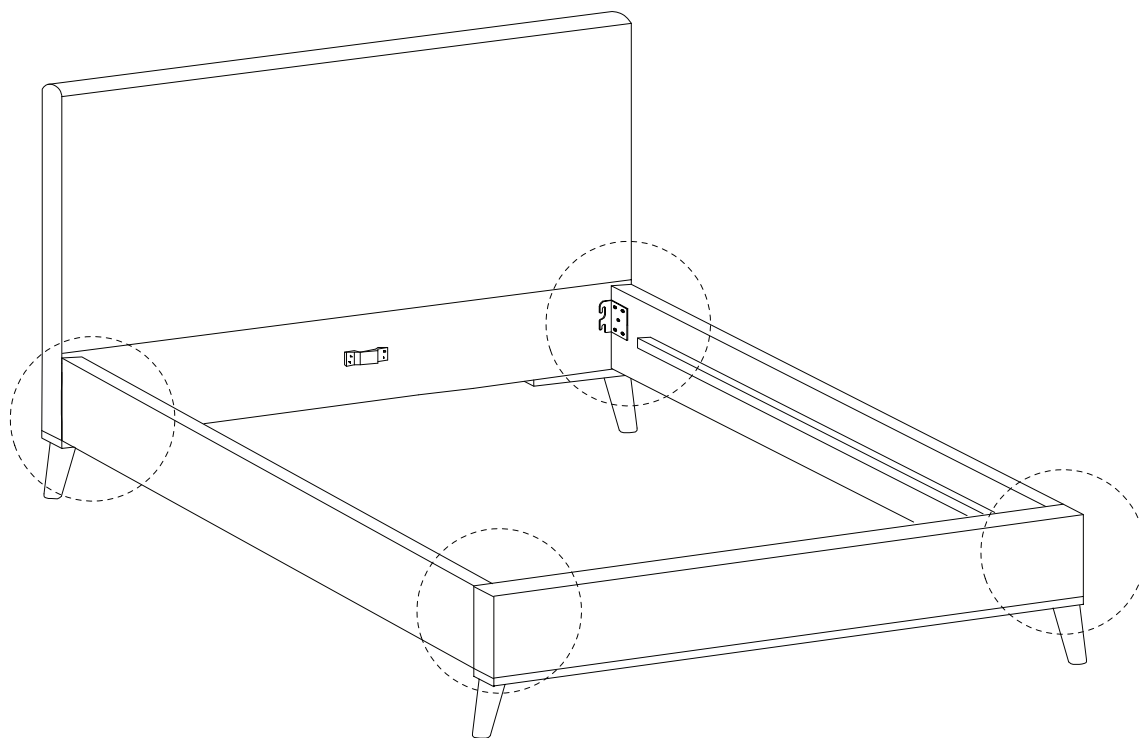
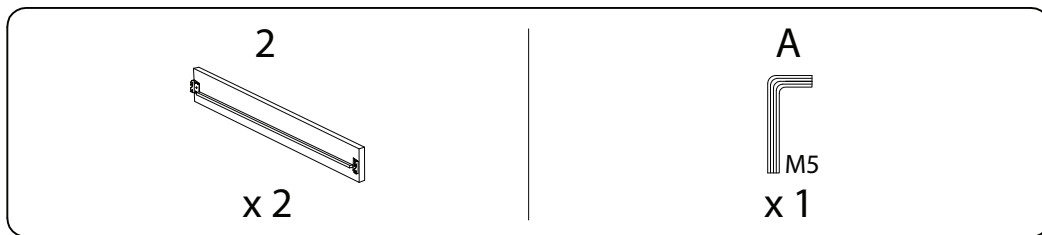
4



5



6

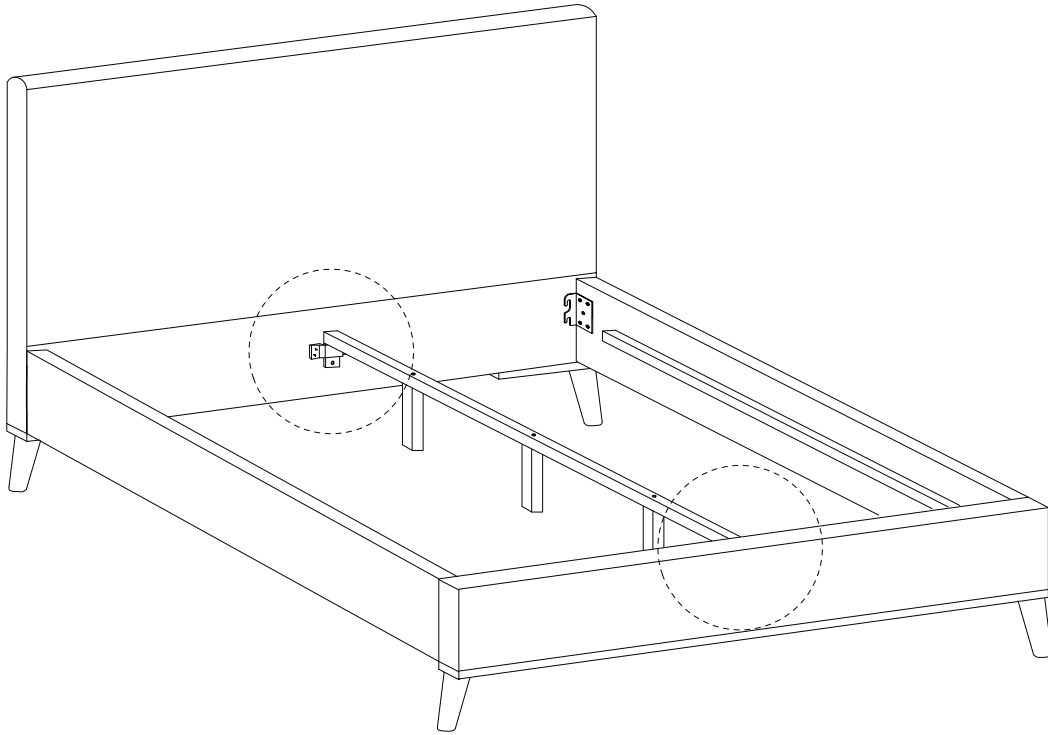


7

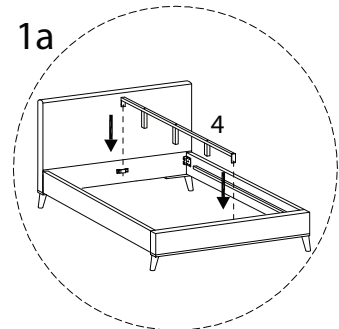
F



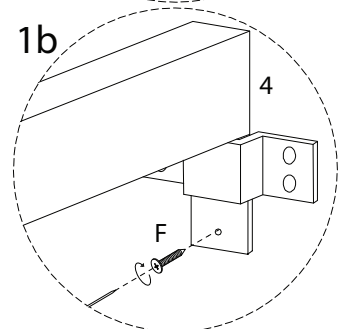
M4  
x  
20  
x 2



1a



1b





8

9



x 1

G



x 12

