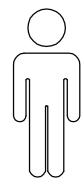
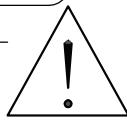
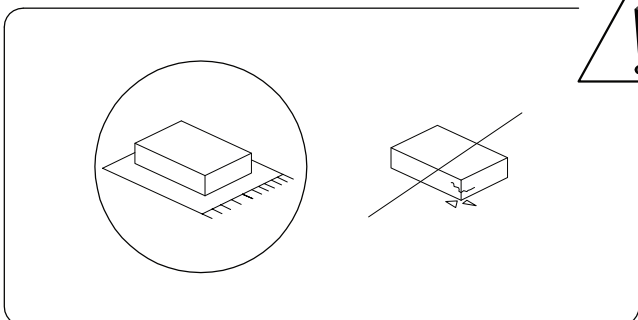
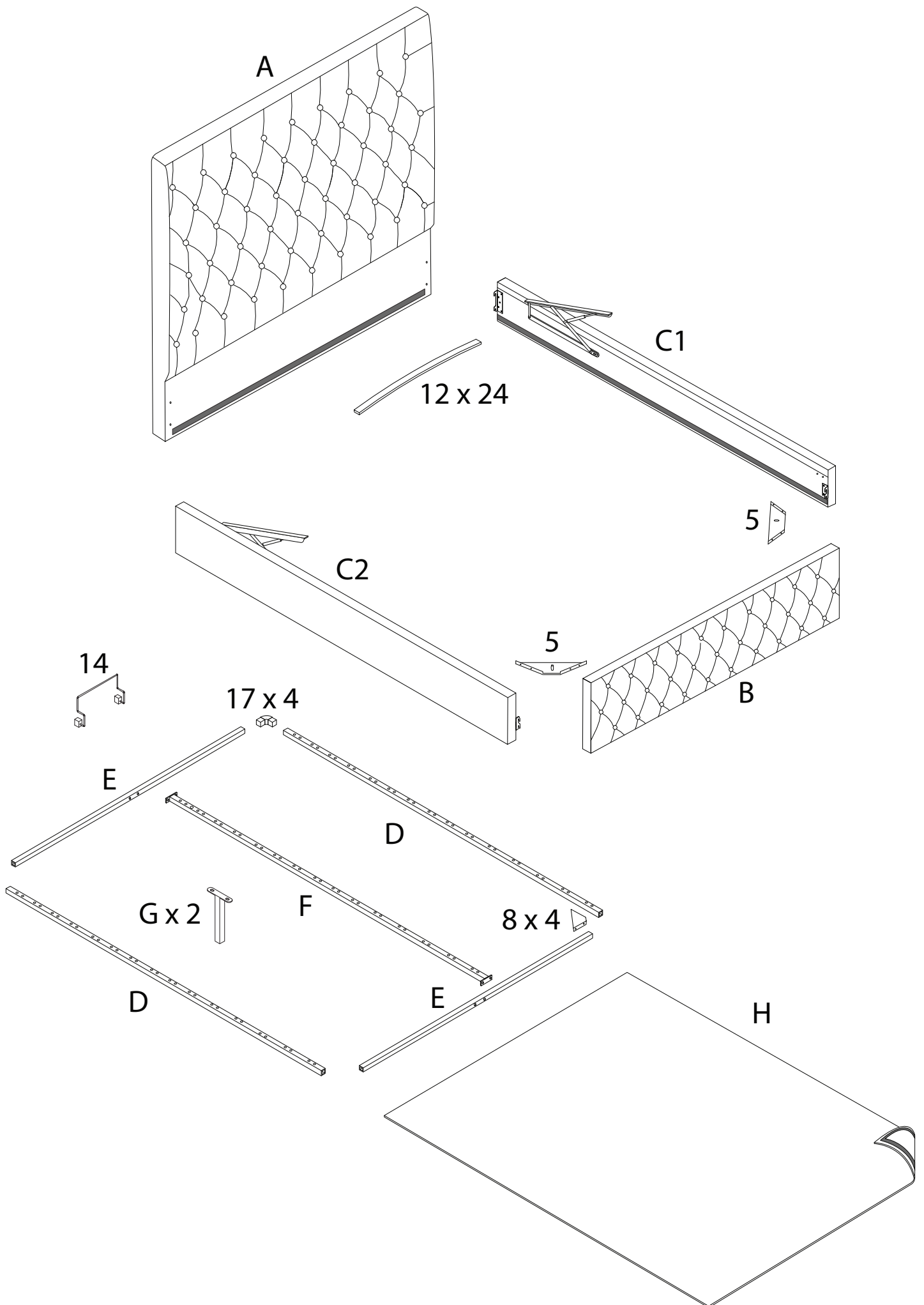


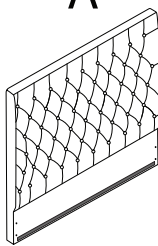
60'



2

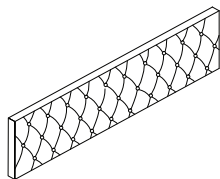


A



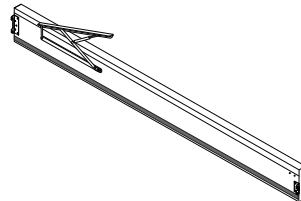
x 1

B



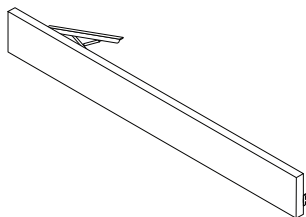
x 1

C1



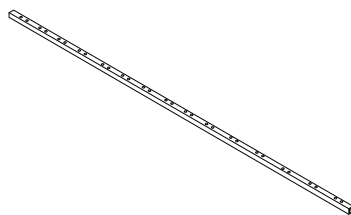
x 2

C2



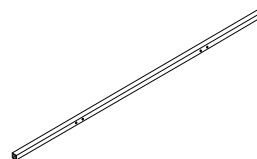
x 1

D



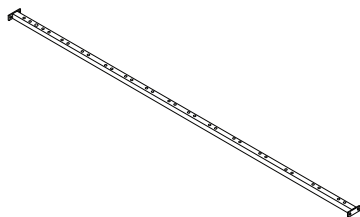
x 2

E



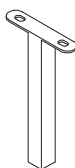
x 2

F



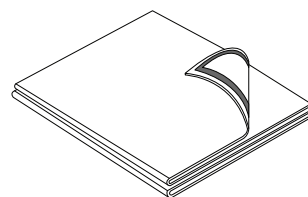
x 1

G



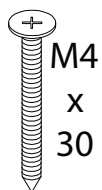
x 4

H



x 1

1



x 4

2



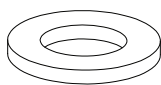
x 4

3



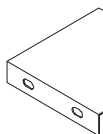
x 16

4



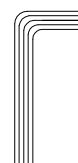
x 30

5



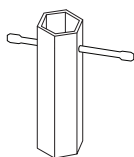
x 2

6



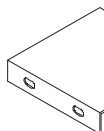
x 1

7



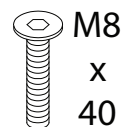
x 1

8



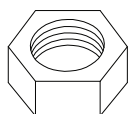
x 4

9



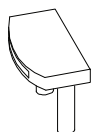
x 24

10



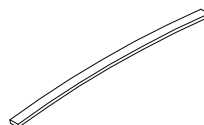
x 30

11



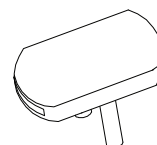
x 24

12



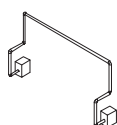
x 24

13



x 12

14



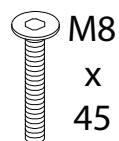
x 1

15



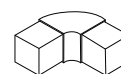
x 1

16



x 6

17



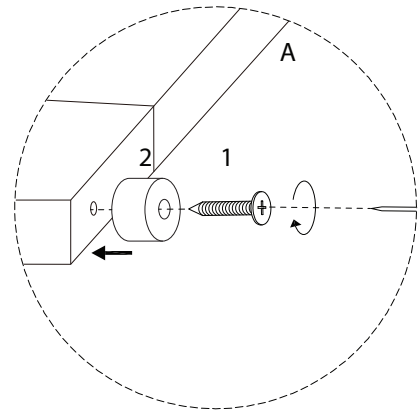
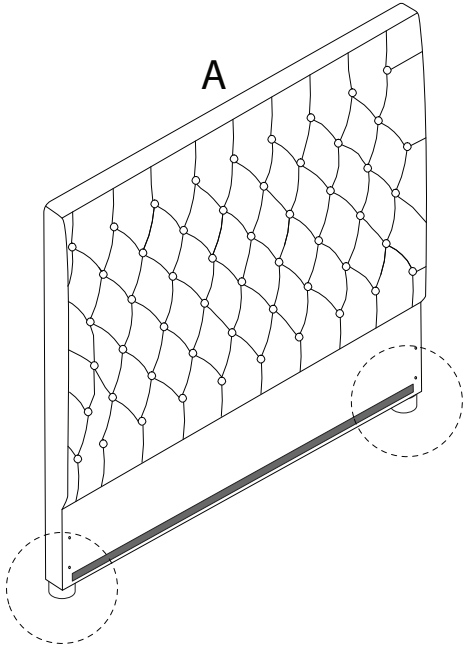
x 4

1

1
M4
x
30
x 2

2
x 2

A
x 1

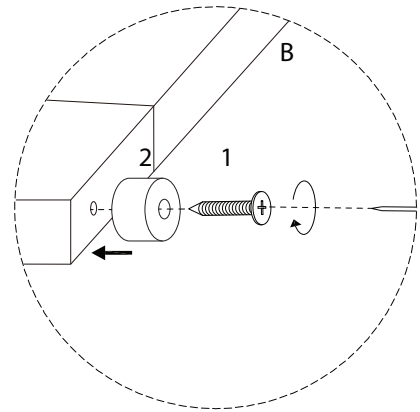
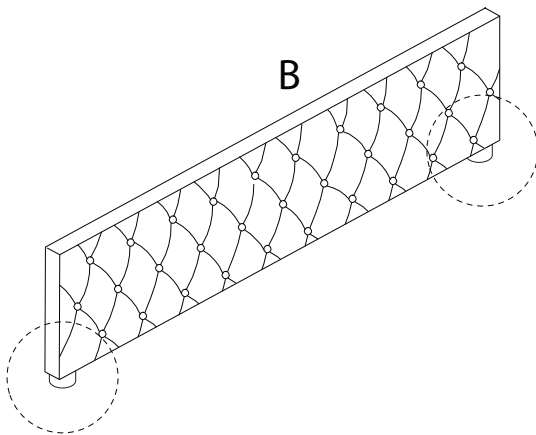


2

1
M4
x
30
x 2

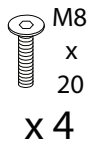
2
x 2

B
x 1

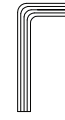


3

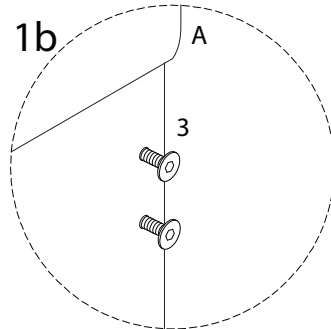
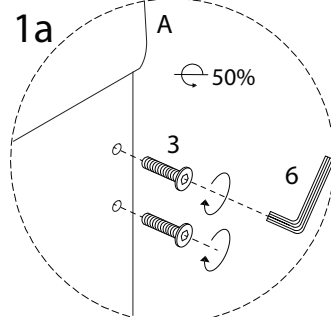
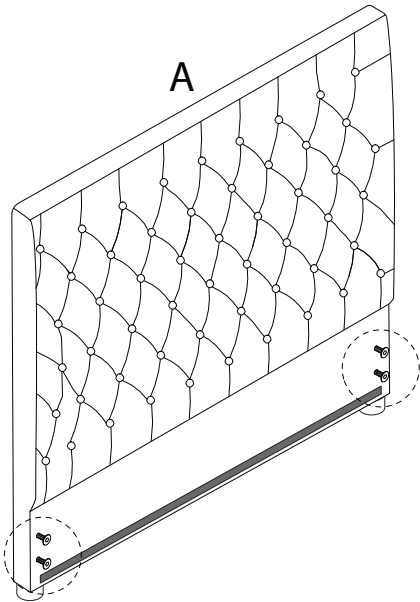
3



6

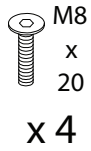


x 1

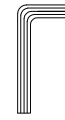


4

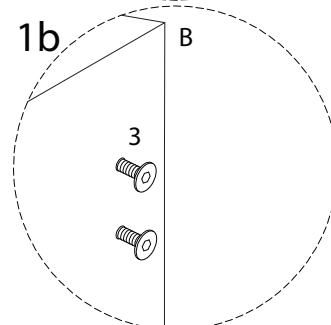
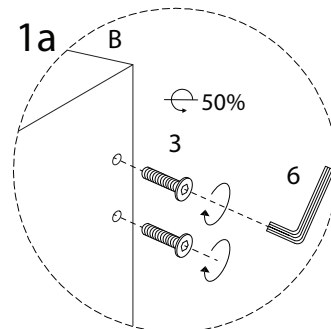
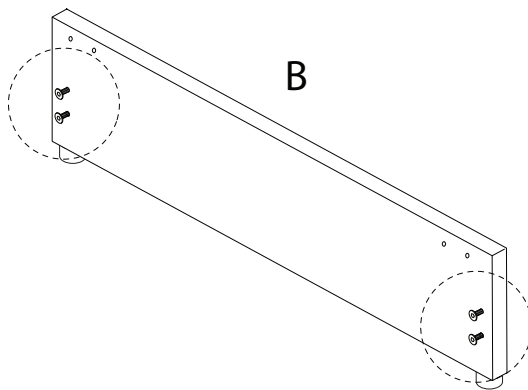
3



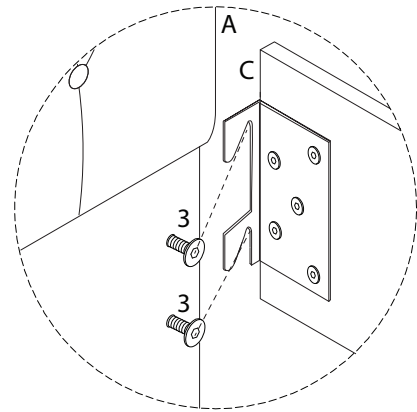
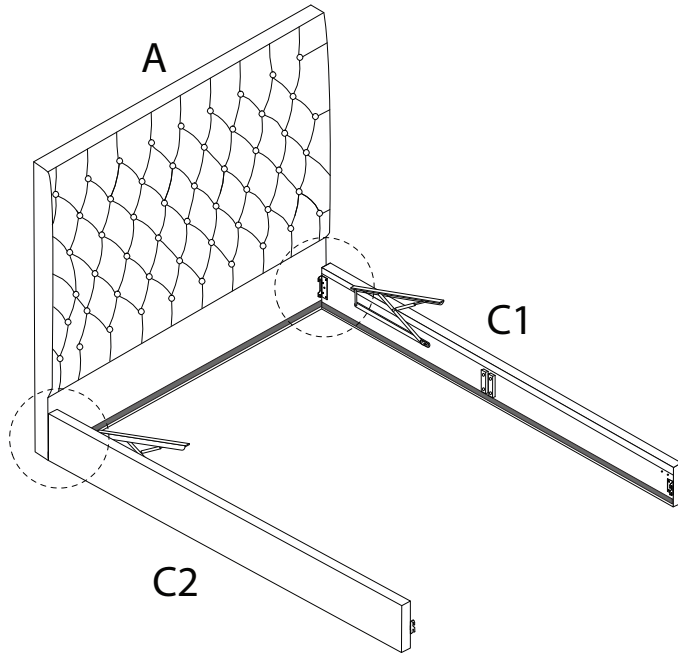
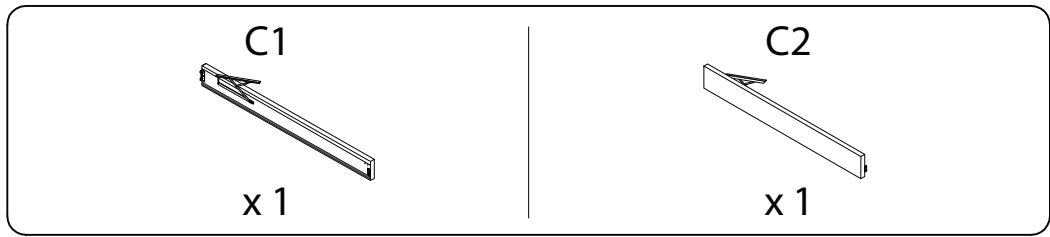
6



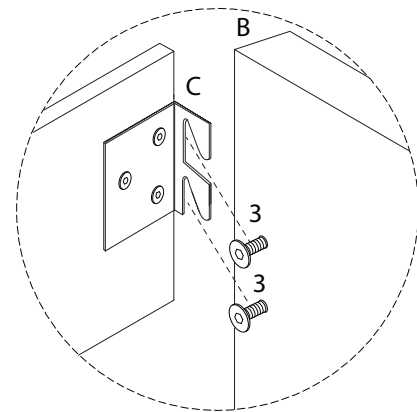
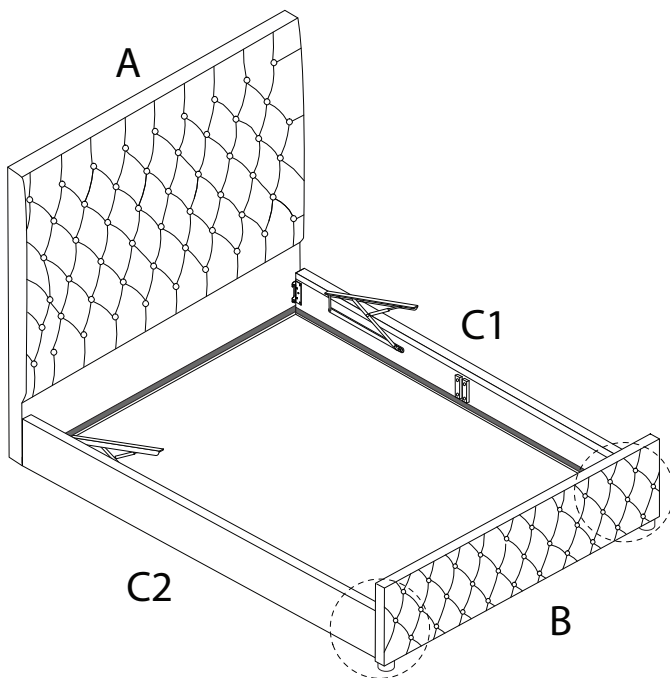
x 1



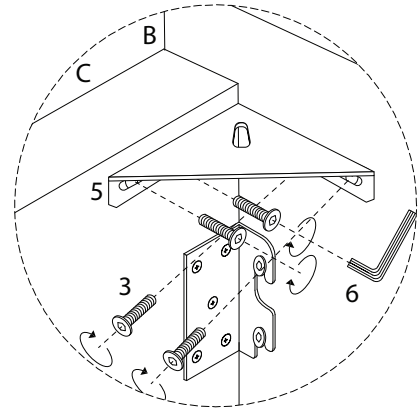
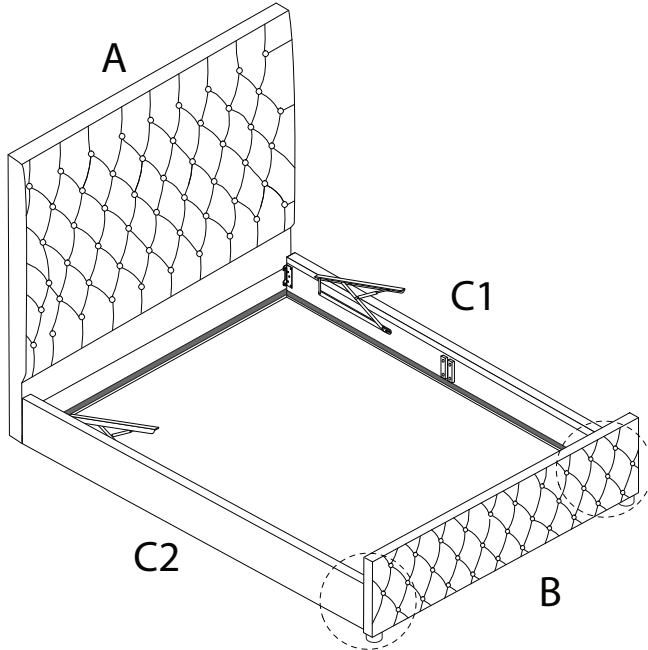
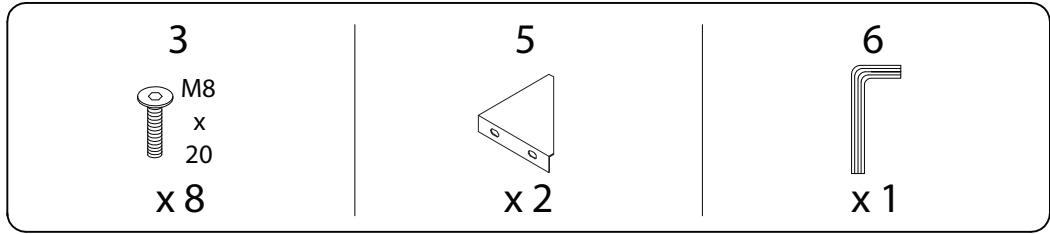
5



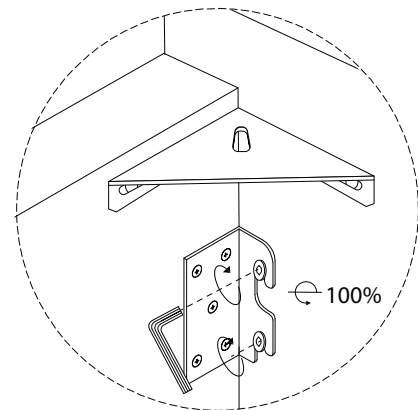
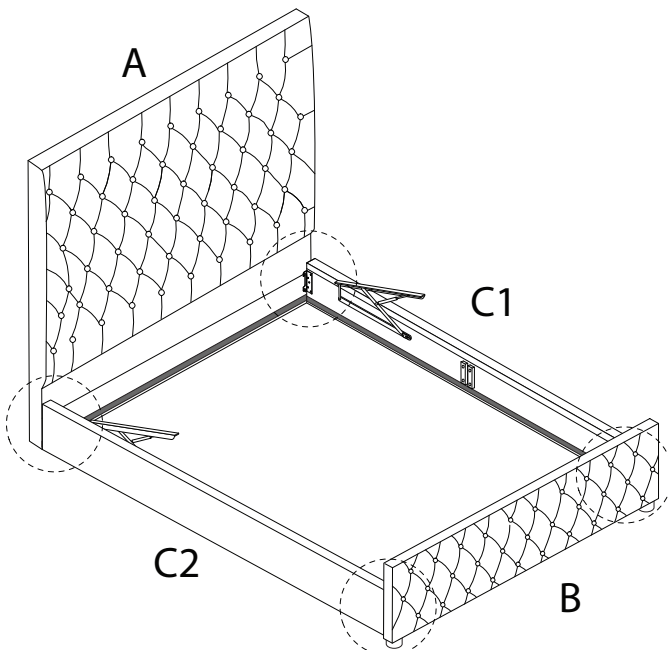
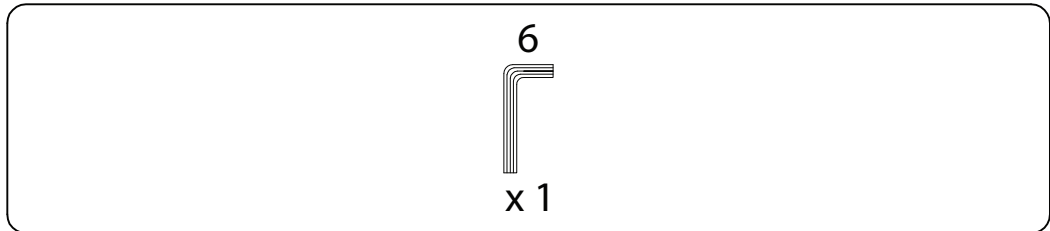
6



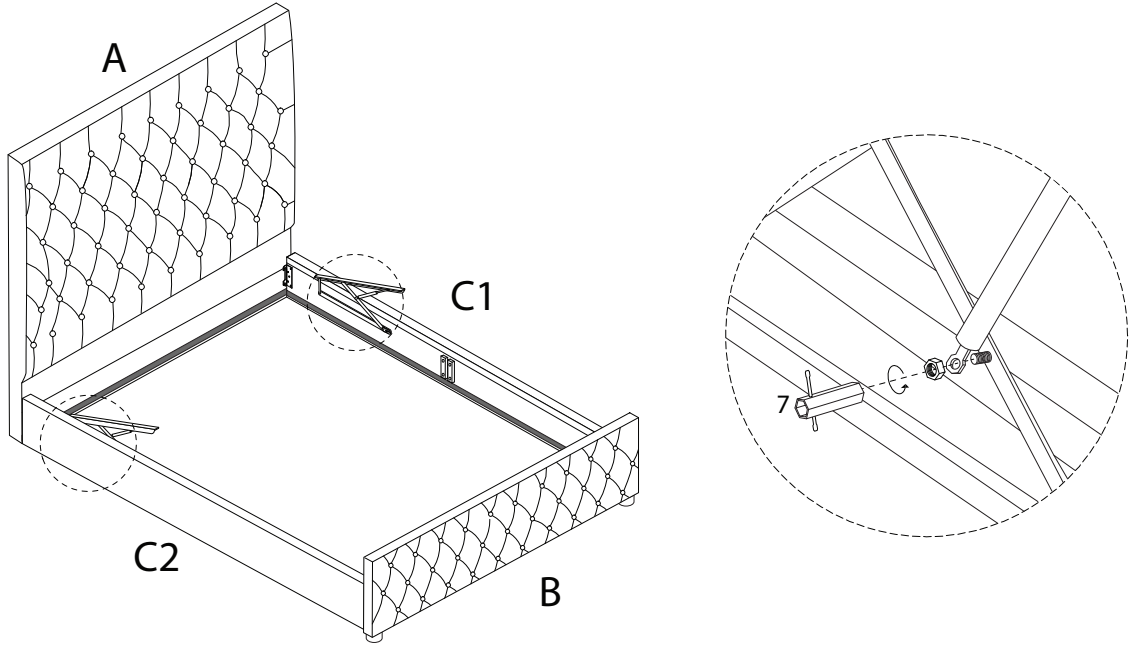
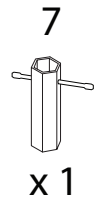
7



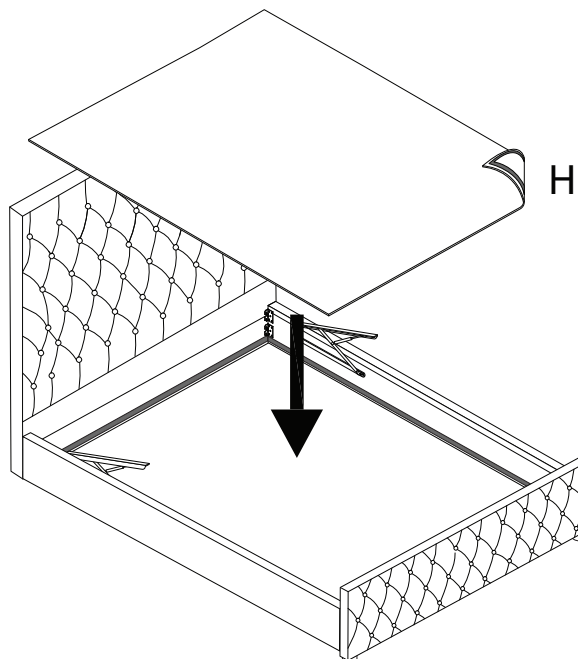
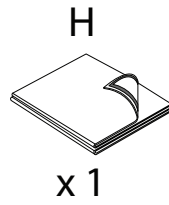
8



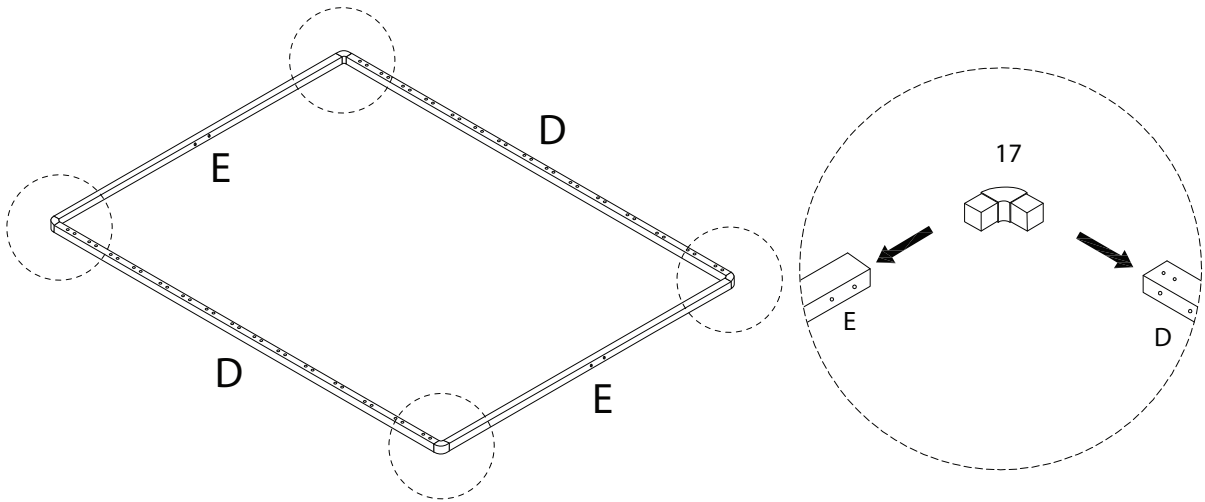
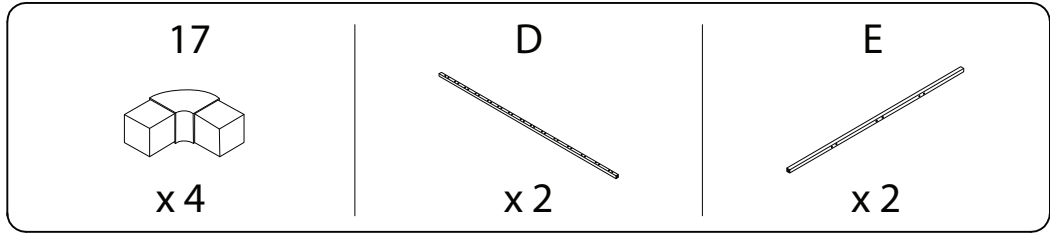
9



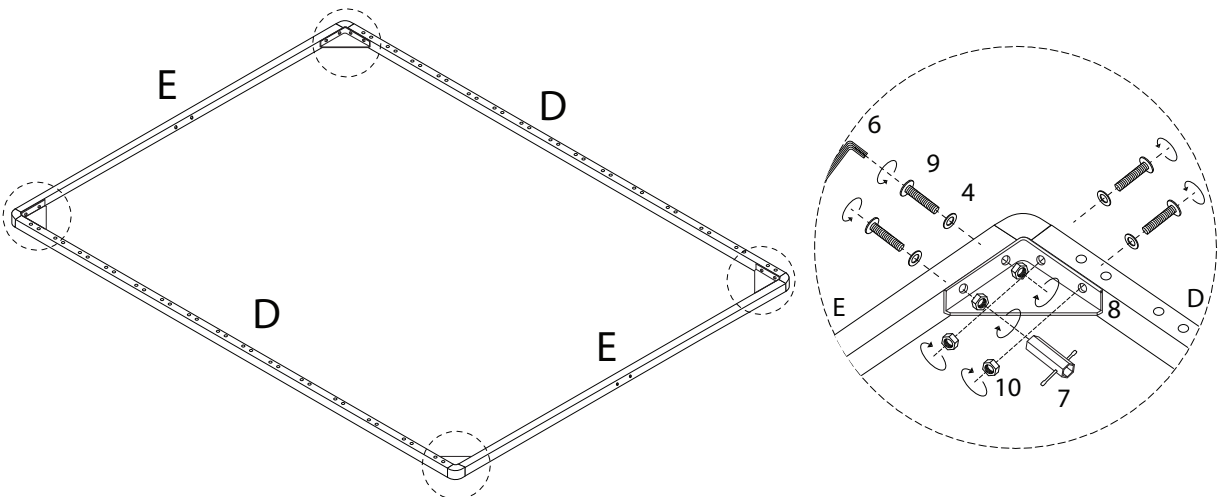
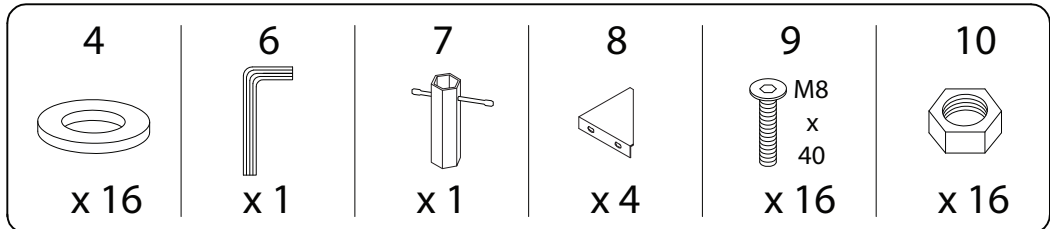
10



11

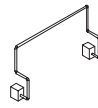


12

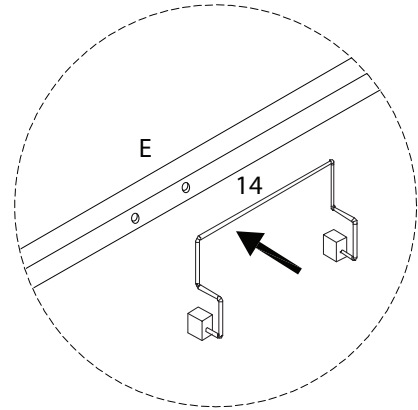
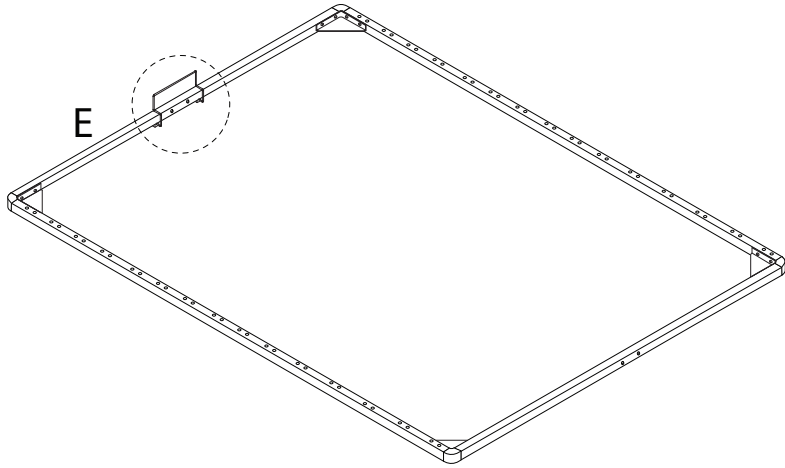


13

14



x 1



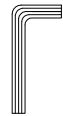
14

4



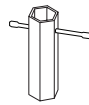
x 4

6



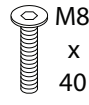
x 1

7



x 1

9



x 4

10



x 4

F

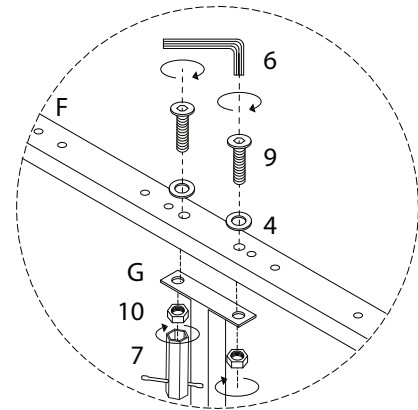
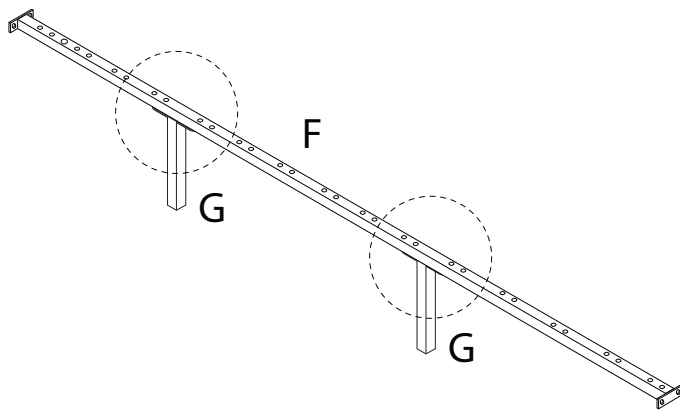


x 1

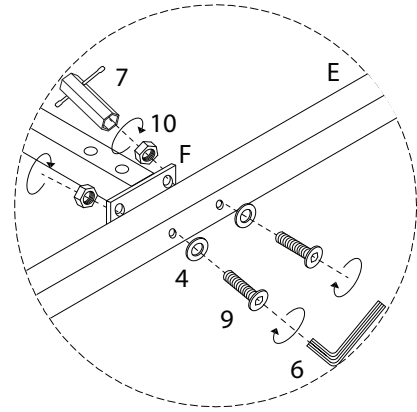
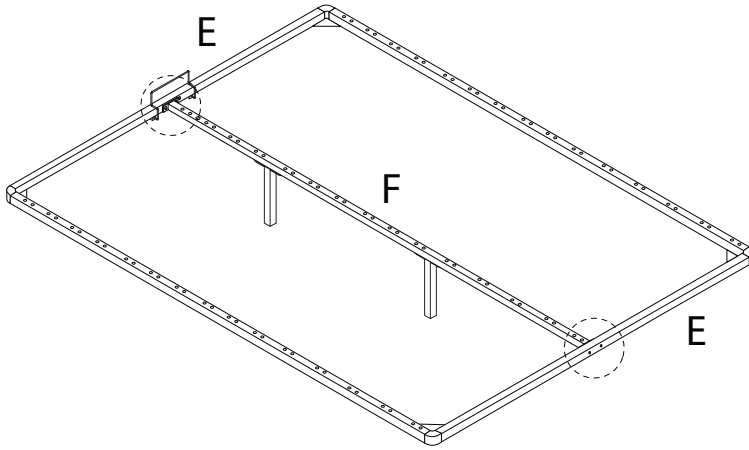
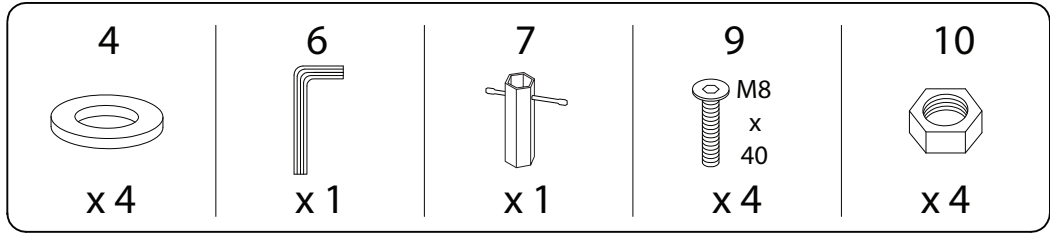
G



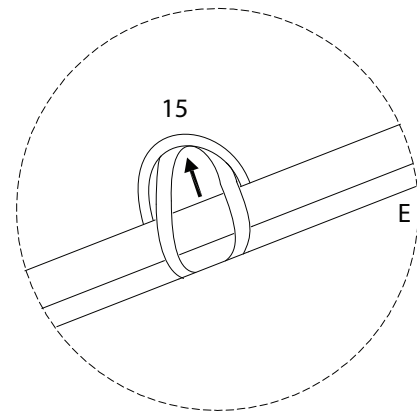
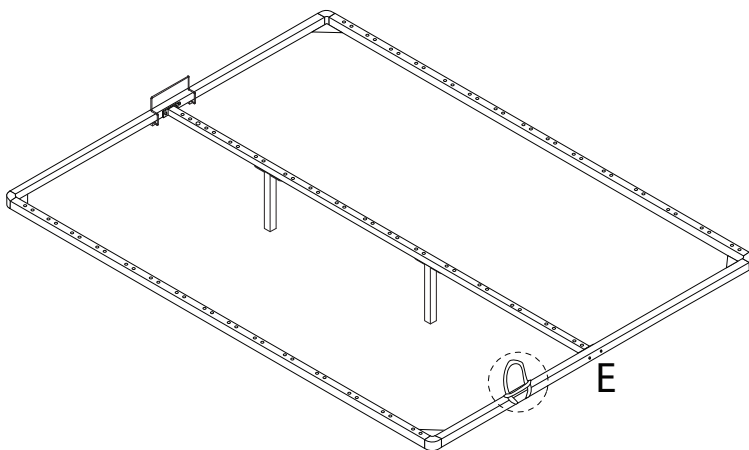
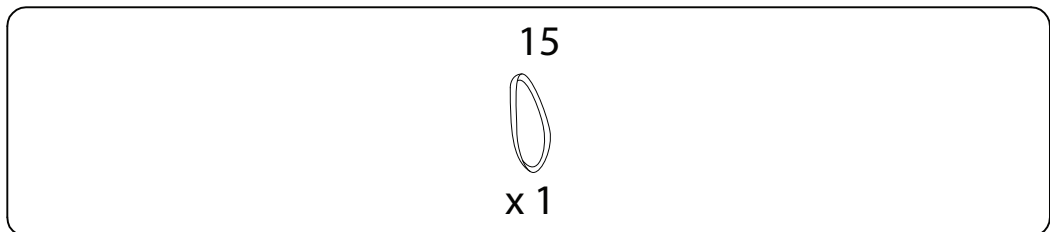
x 2



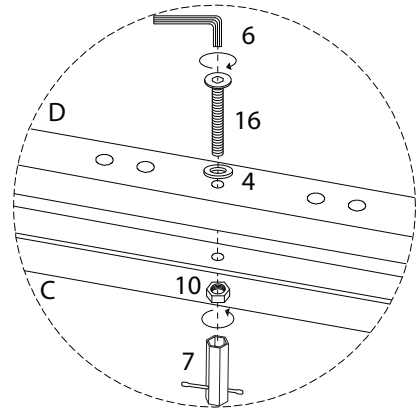
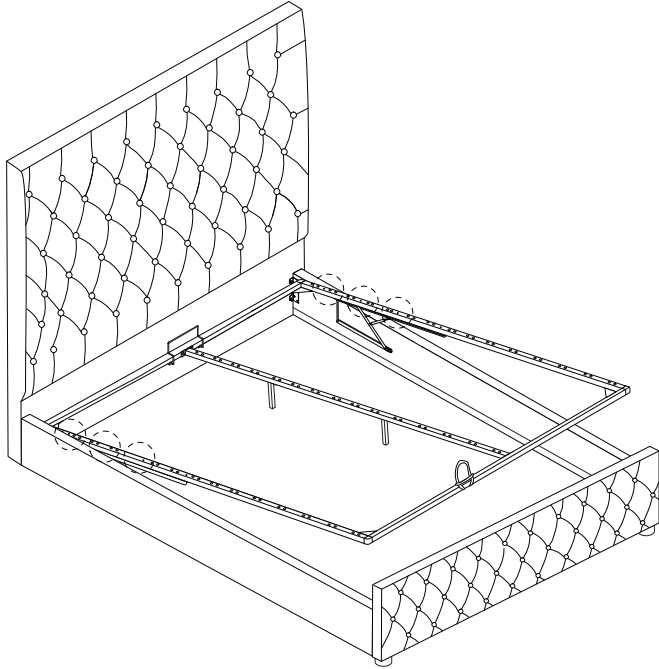
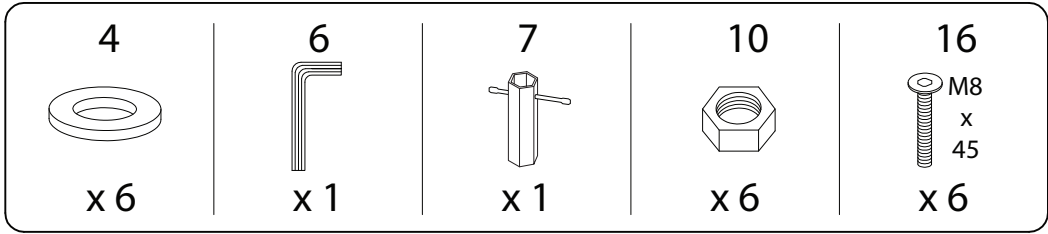
15



16



17



18

