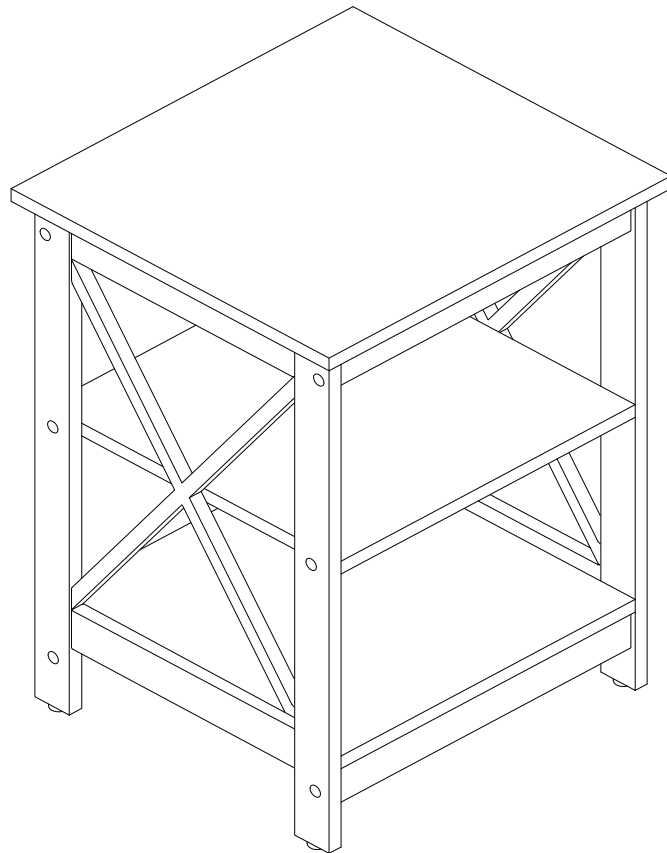
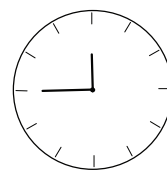
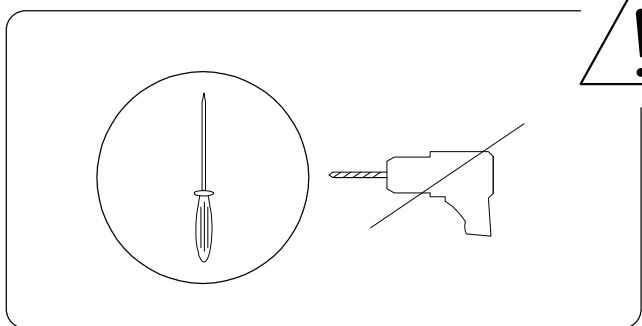
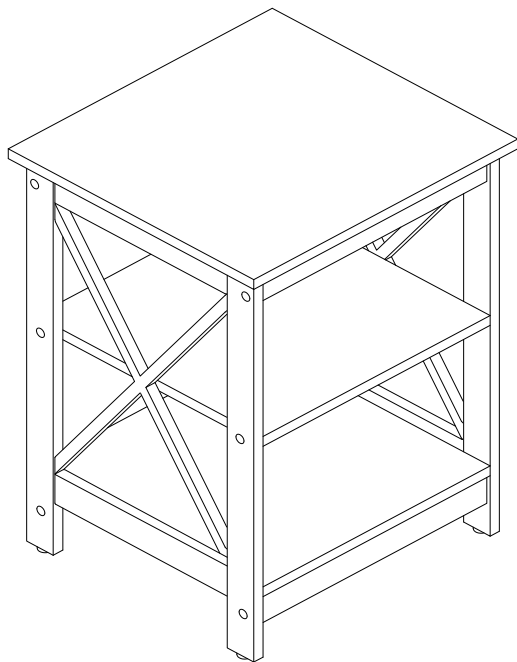
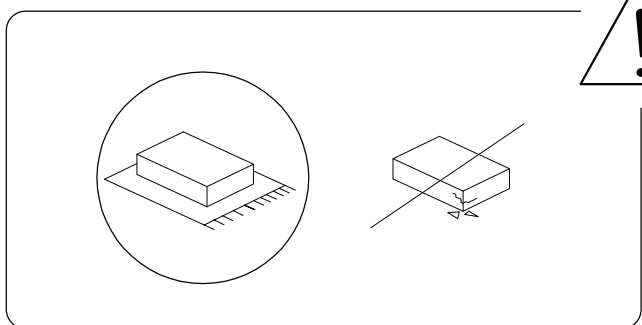


FOSTER

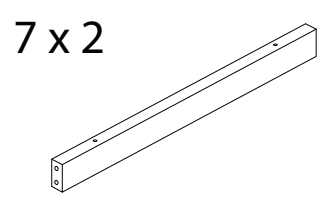
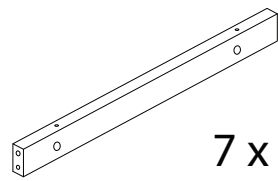
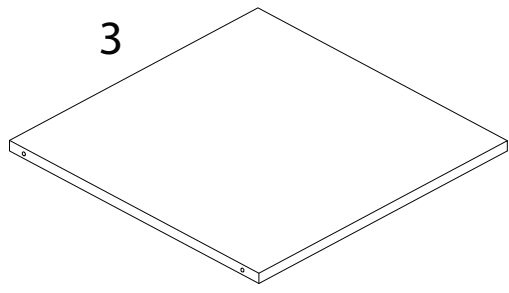
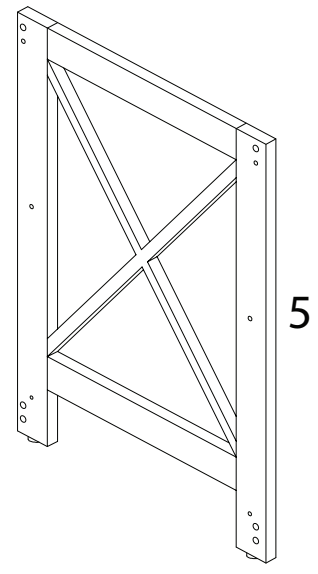
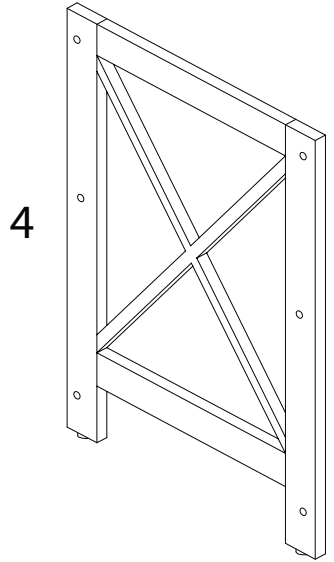
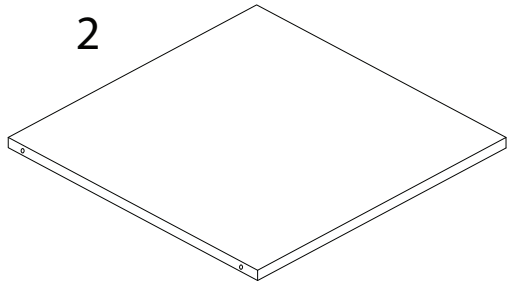
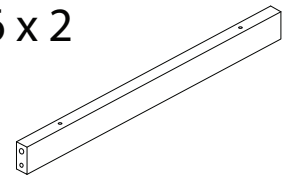
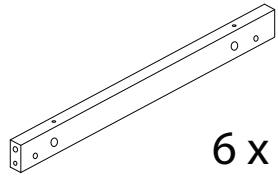
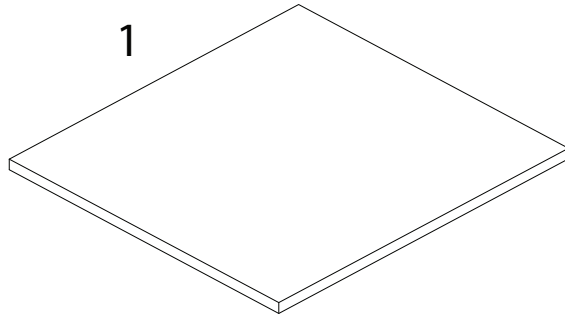




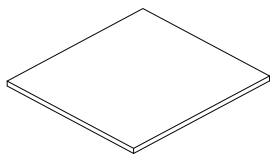
45'



1

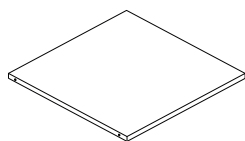


1



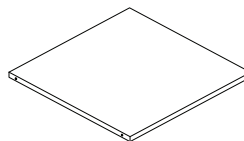
x 1

2



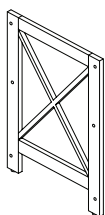
x 1

3



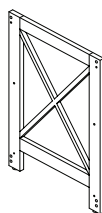
x 1

4



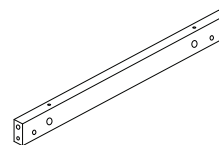
x 1

5



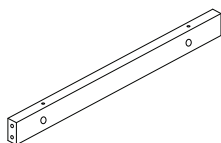
x 1

6



x 2

7



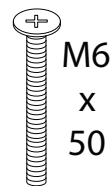
x 2

A



x 12

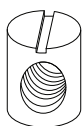
B



M6
x
50

x 12

C



x 12

D



x 8

E



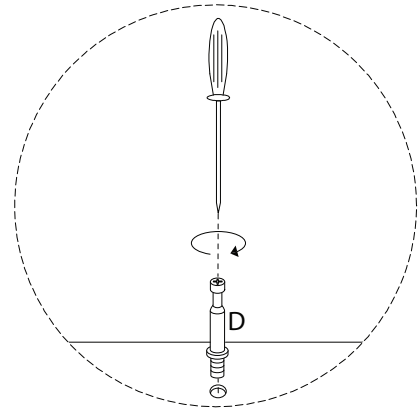
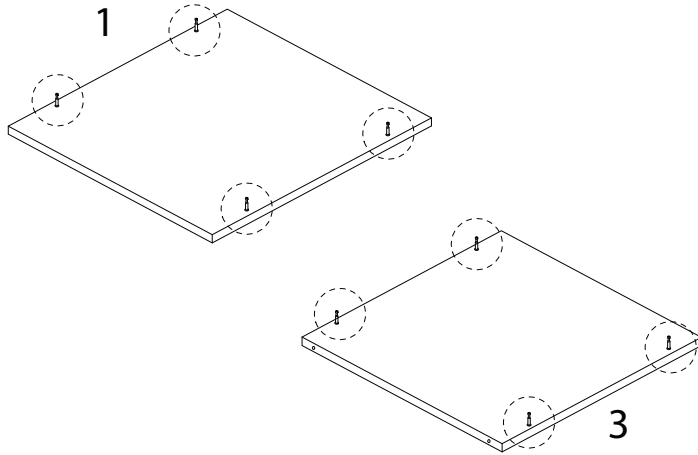
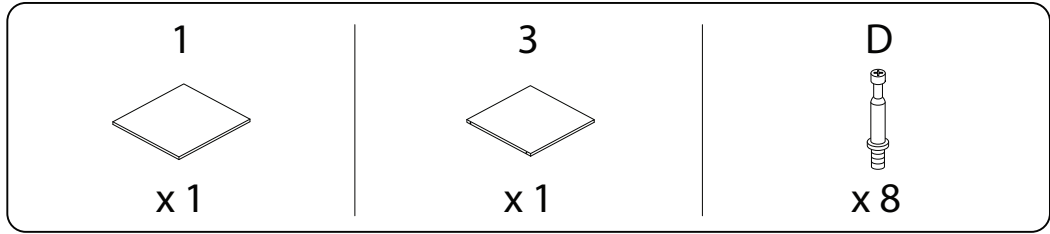
x 12

F

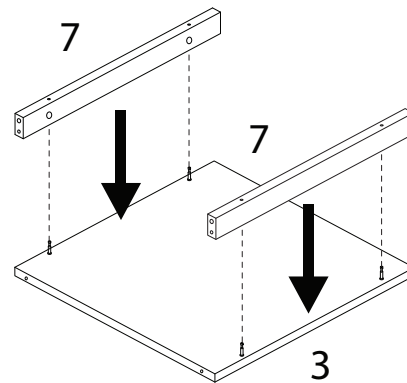
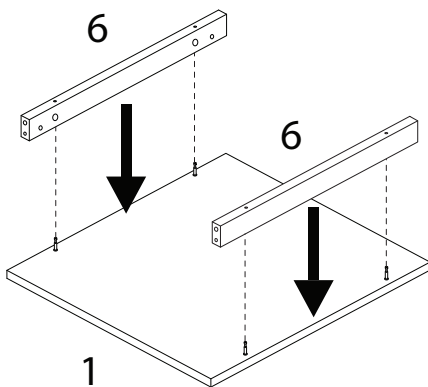
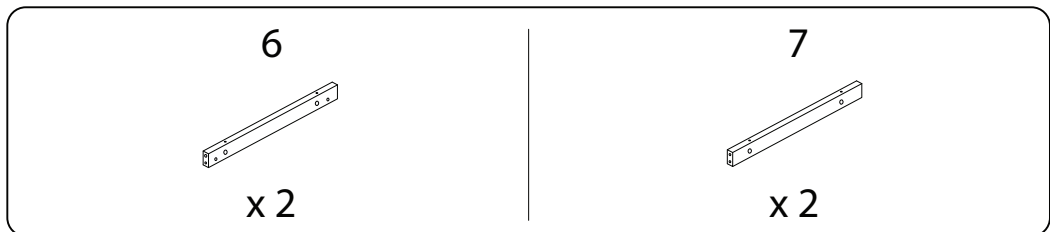


x 8

1



2

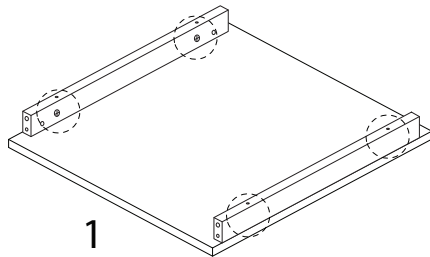


3

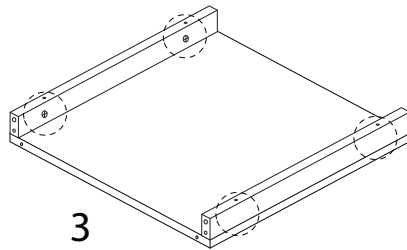
F



x 8

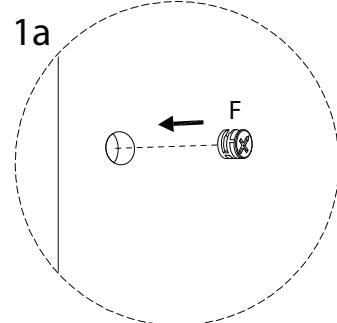


1

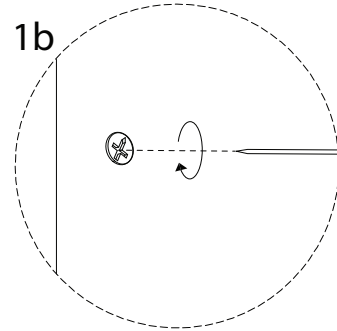


3

1a

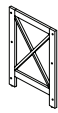


1b



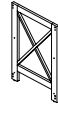
4

4



x 1

5

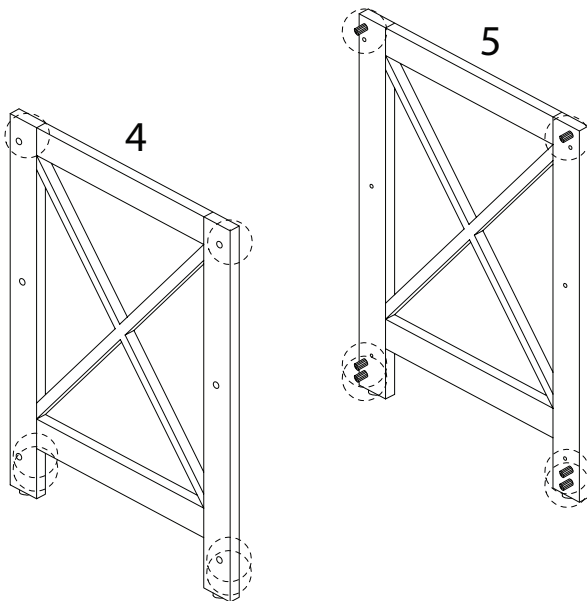


x 1

A

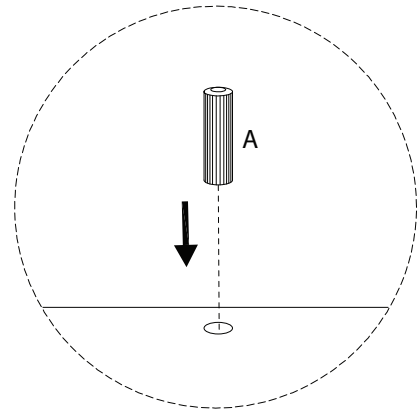


x 12

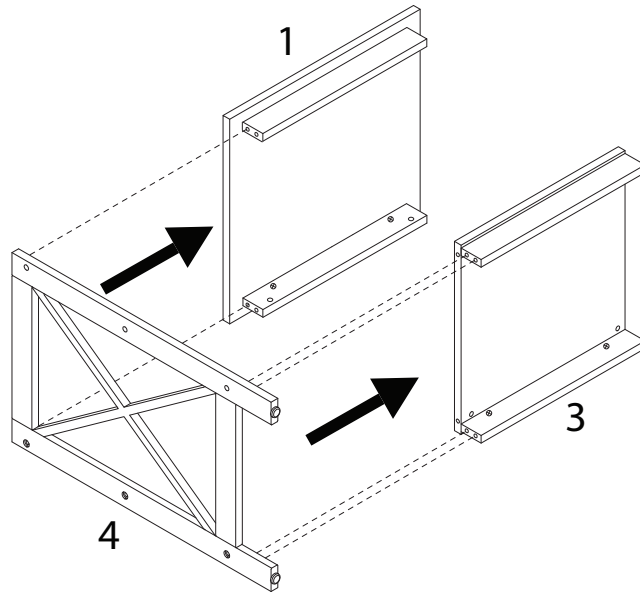


4

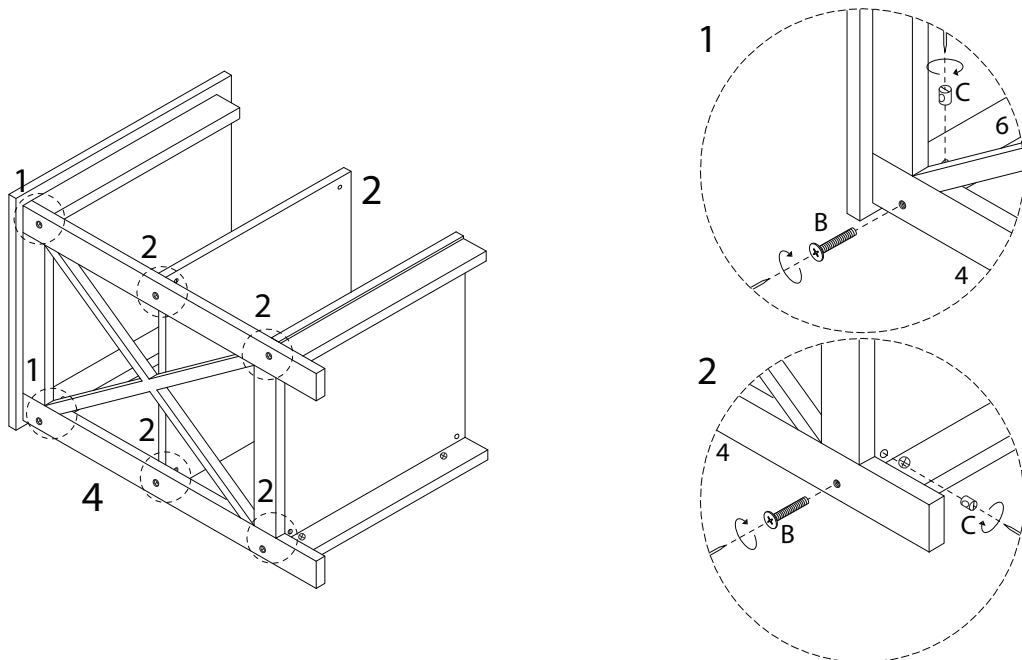
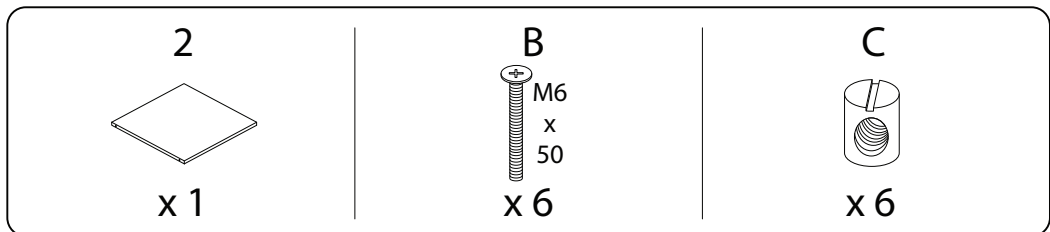
5



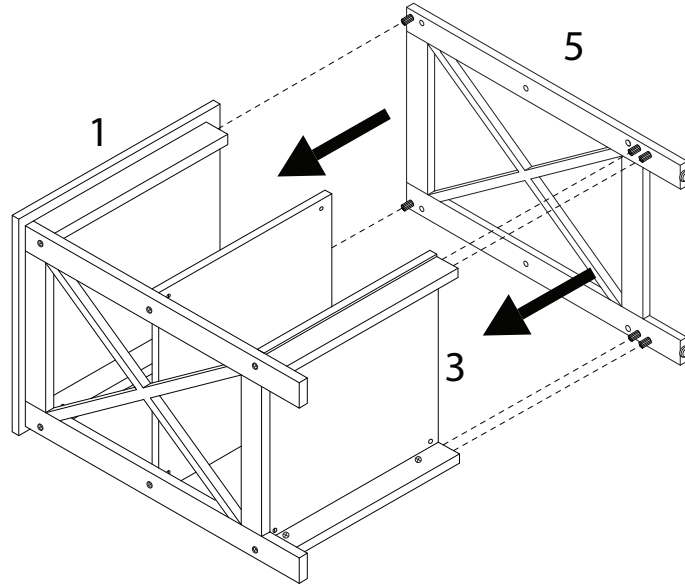
5



6



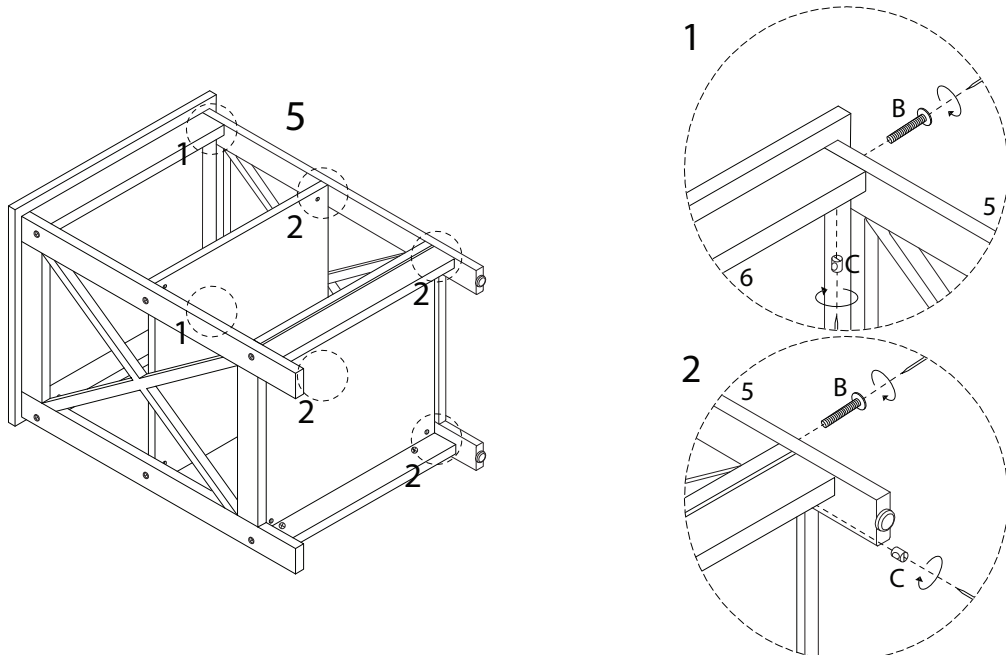
7



8

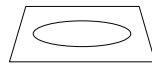
B
M6
x
50
x 6

C
x 6

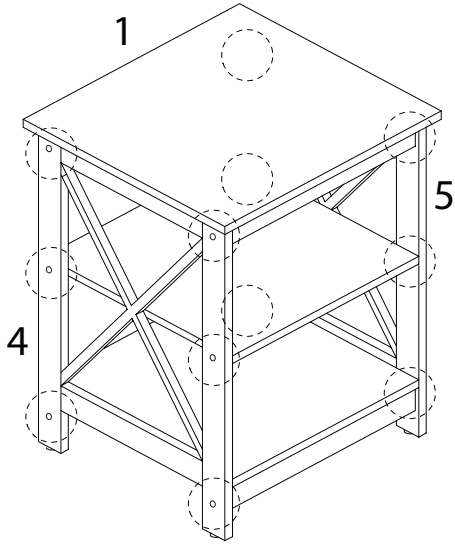


9

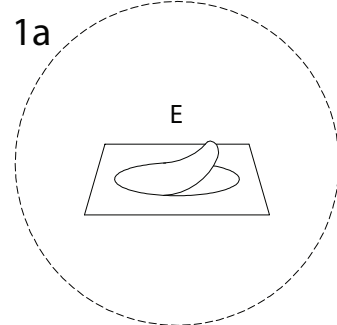
E



x 12



1a



1b

