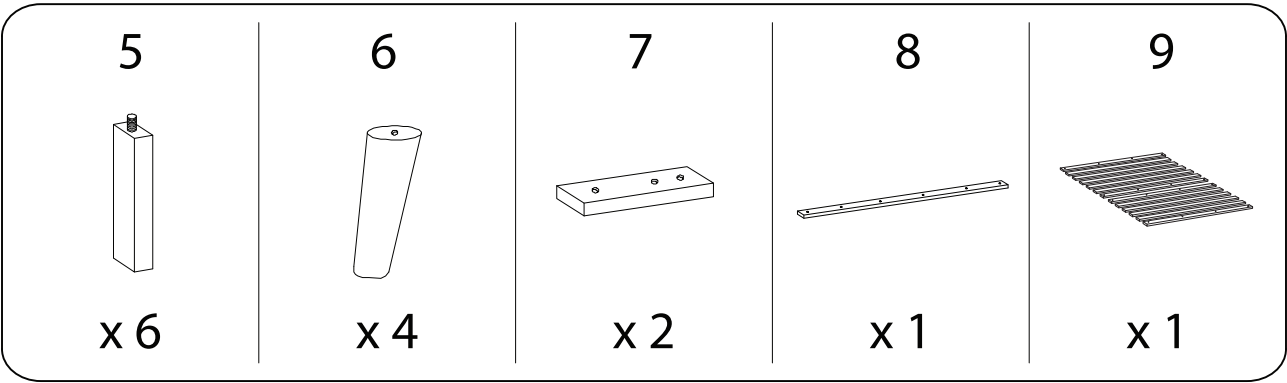
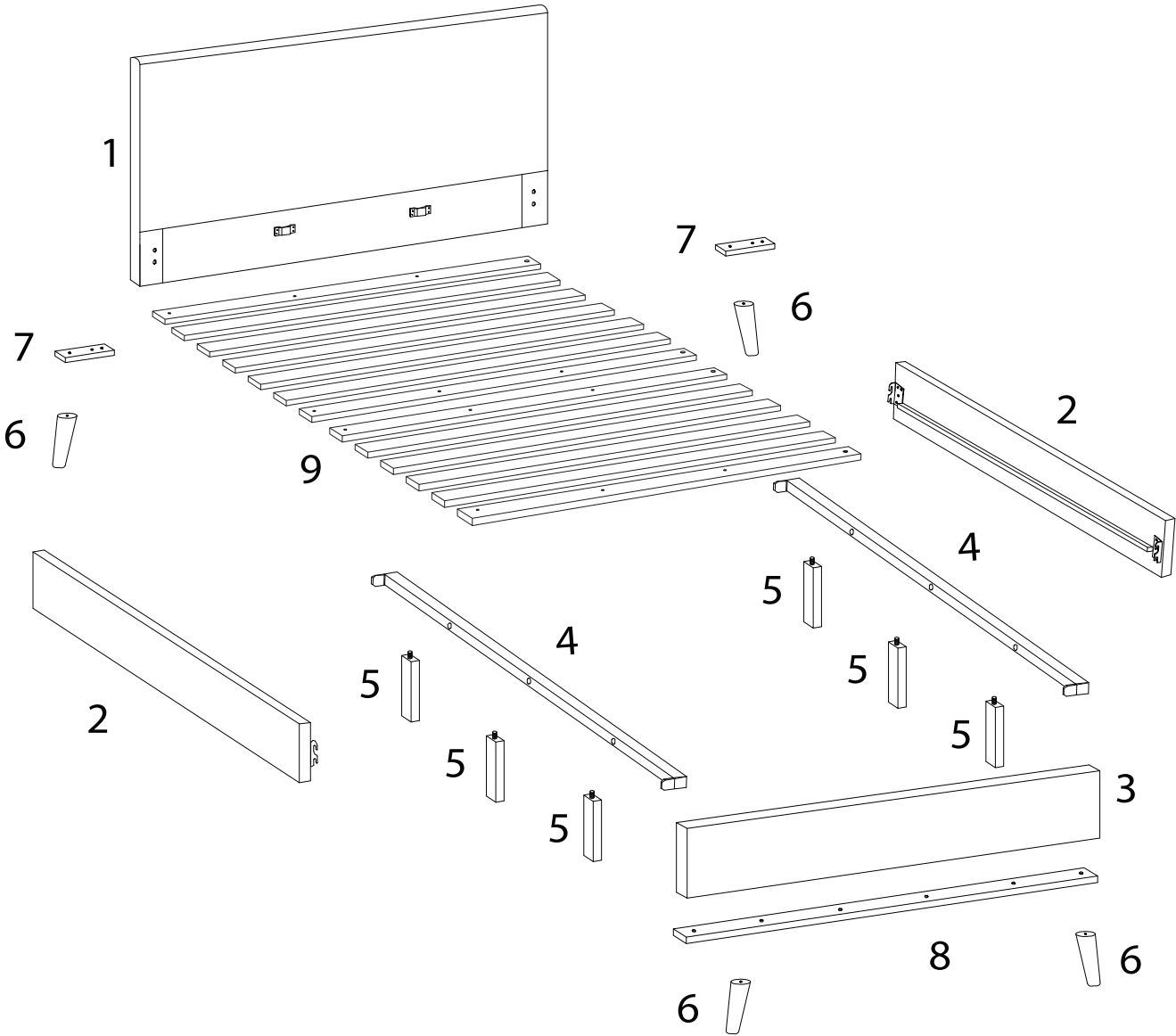
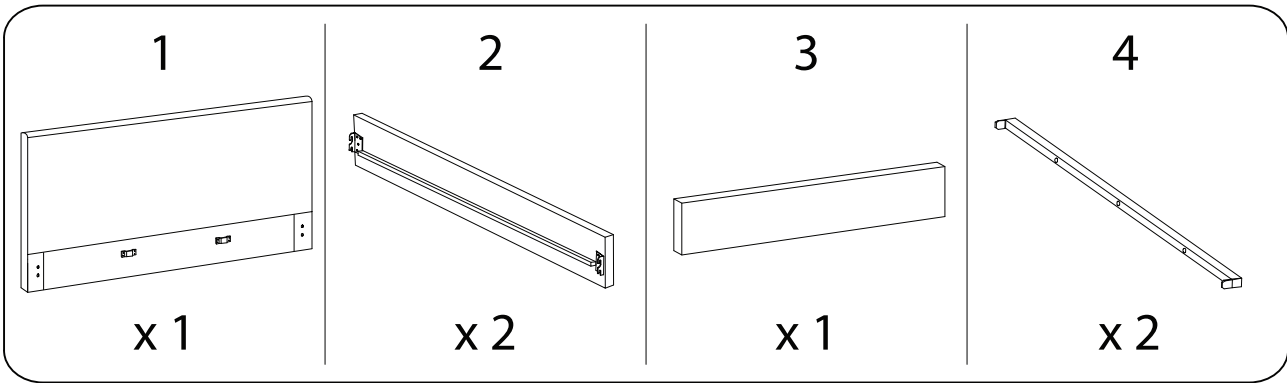
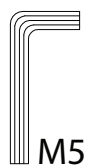


Assembly instructions for step 1/9:

- Tools:** A circle containing a screwdriver and an Allen key. A power drill is shown with a diagonal line through it, indicating it should not be used.
- Warning:** A triangle with an exclamation mark.
- Time:** A clock icon with the text "40'" below it, indicating an estimated assembly time of 40 minutes.
- Personnel:** A person icon with the number "2" below it, indicating that two people are required for assembly.



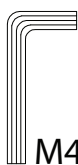
A



M5

x 1

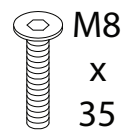
B



M4

x 1

C



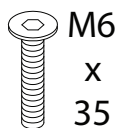
M8

x

35

x 4

D



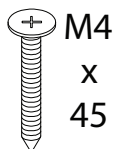
M6

x

35

x 8

E



M4

x

45

x 4

F



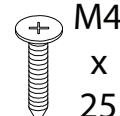
M4

x

20

x 4

G





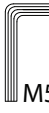
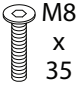
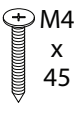
M4

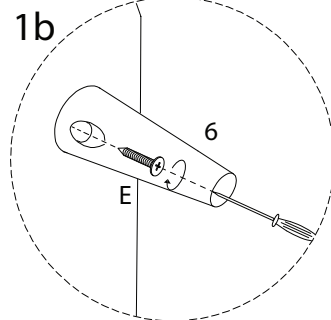
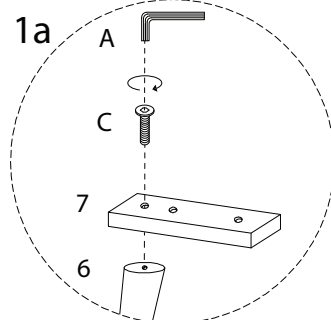
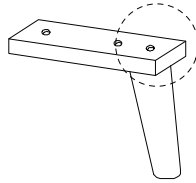
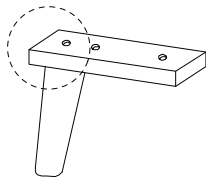
x

25



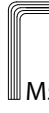
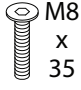
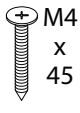
x 16

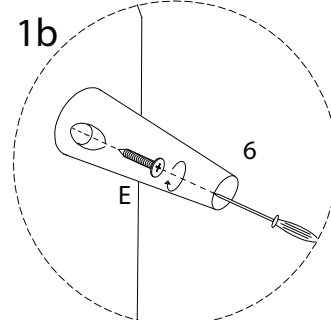
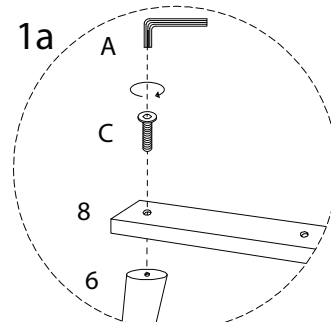
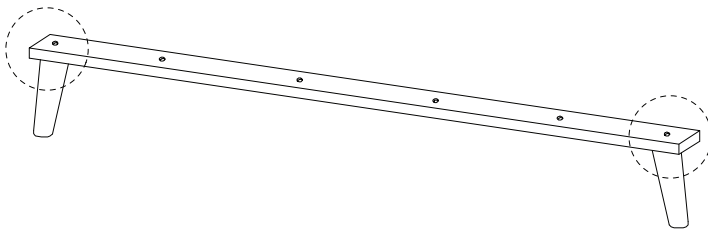
1

<p>6</p>  <p>x 2</p>	<p>7</p>  <p>x 2</p>	<p>A</p>  <p>M5</p> <p>x 1</p>	<p>C</p>  <p>M8 x 35</p> <p>x 2</p>	<p>E</p>  <p>M4 x 45</p> <p>x 2</p>
---	---	---	--	--

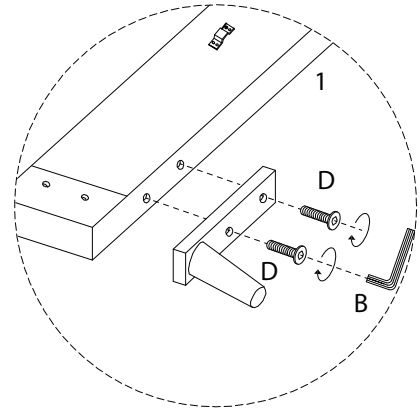
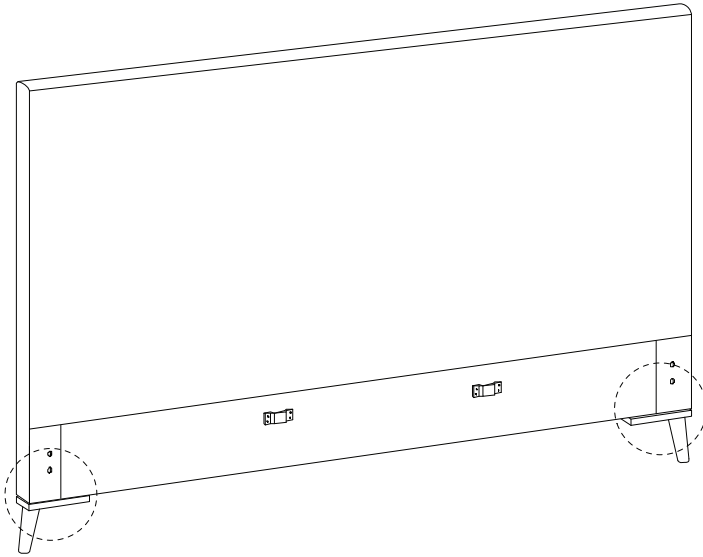
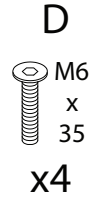
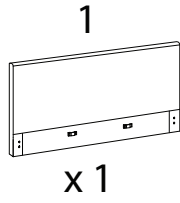


2

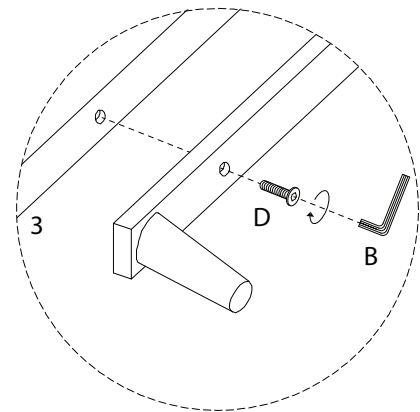
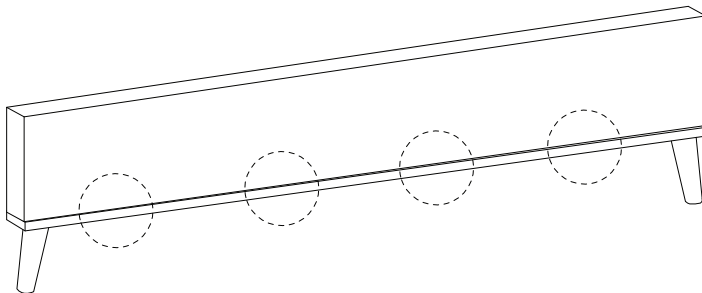
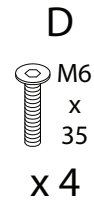
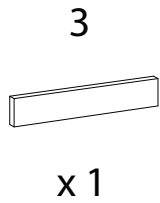
<p>6</p>  <p>x 2</p>	<p>8</p>  <p>x 1</p>	<p>A</p>  <p>M5</p> <p>x 1</p>	<p>C</p>  <p>M8 x 35</p> <p>x 2</p>	<p>E</p>  <p>M4 x 45</p> <p>x 2</p>
---	---	---	--	--



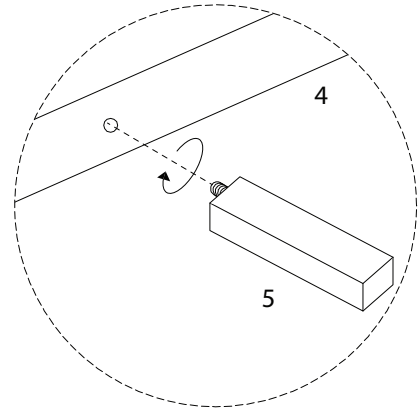
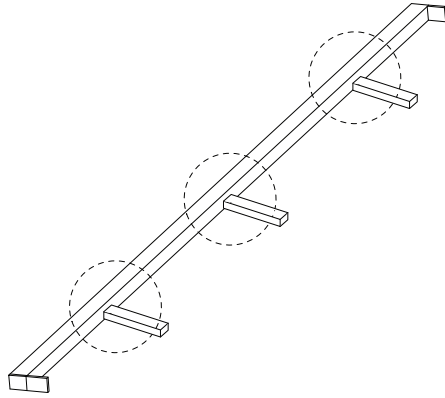
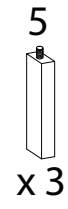
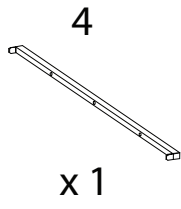
3



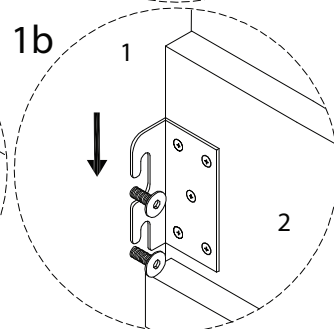
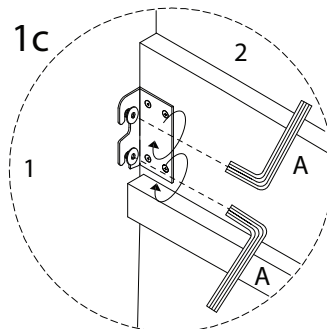
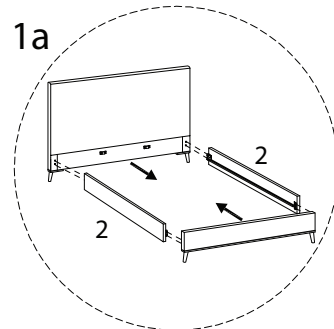
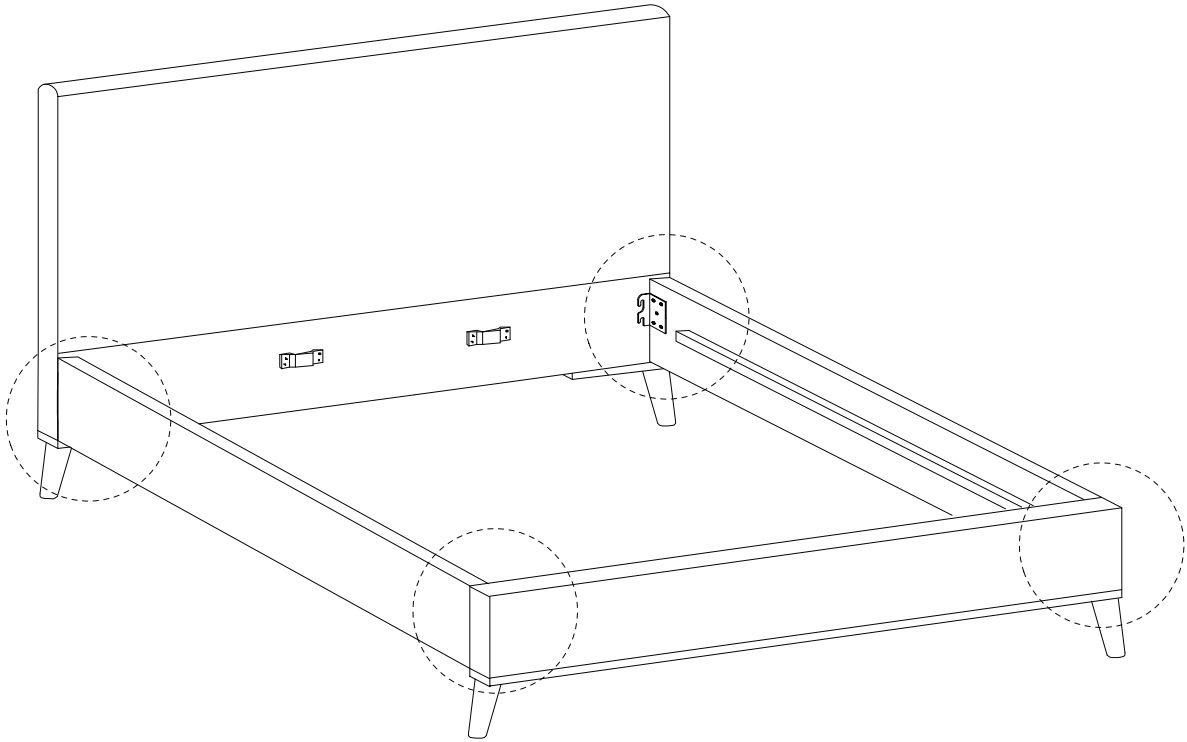
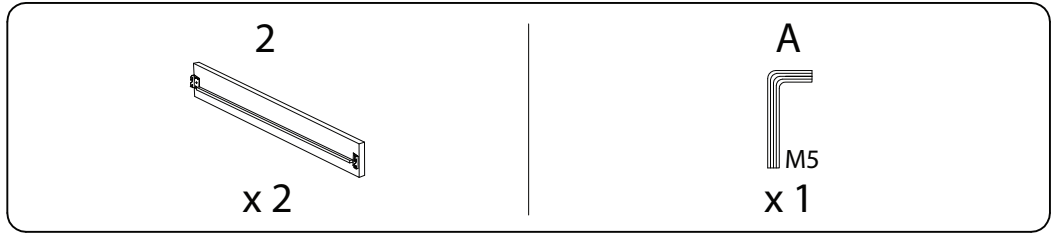
4



5 x 2



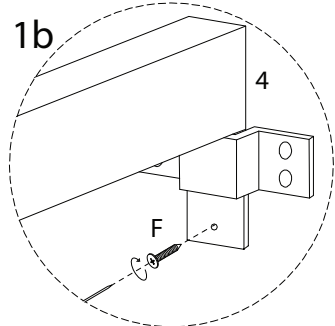
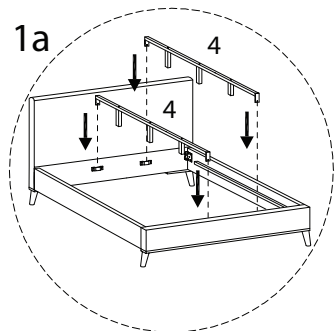
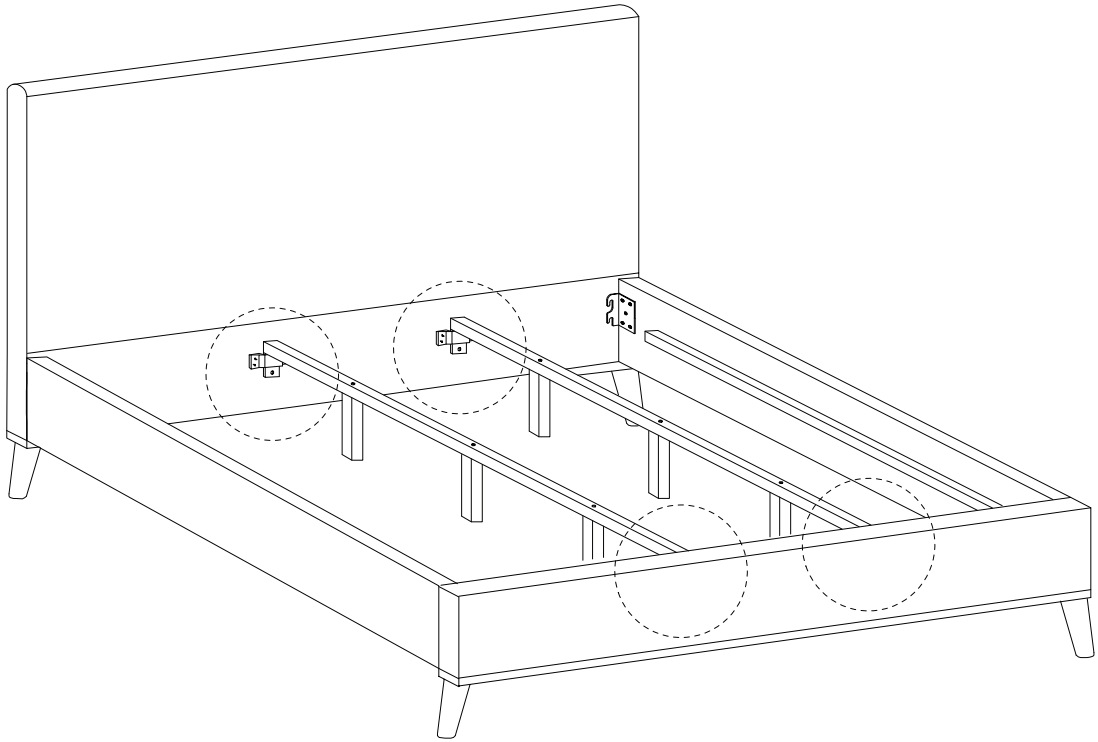
6



7

F

M4
x
20
x 4



8

9



x 1

G



x 16

