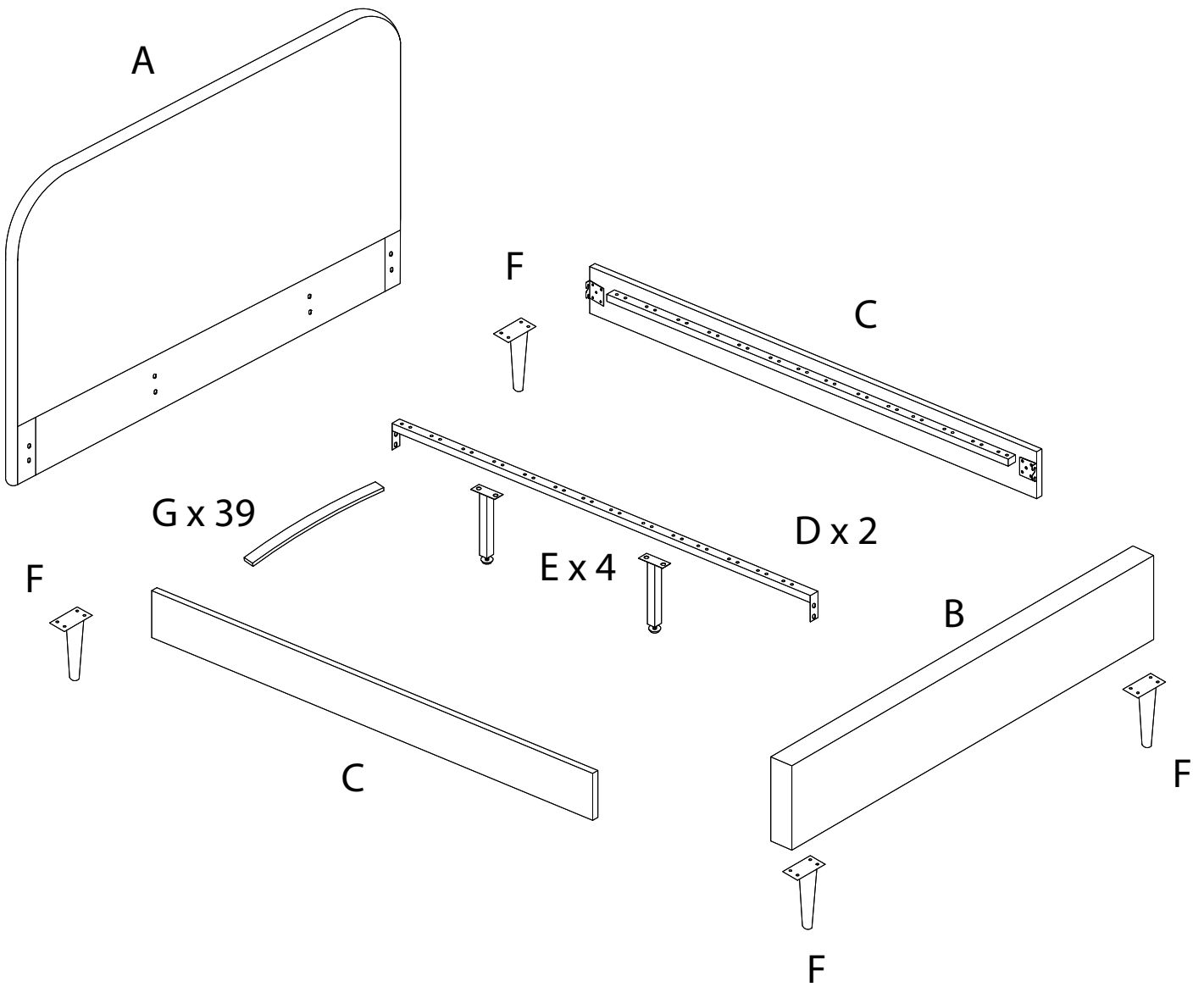
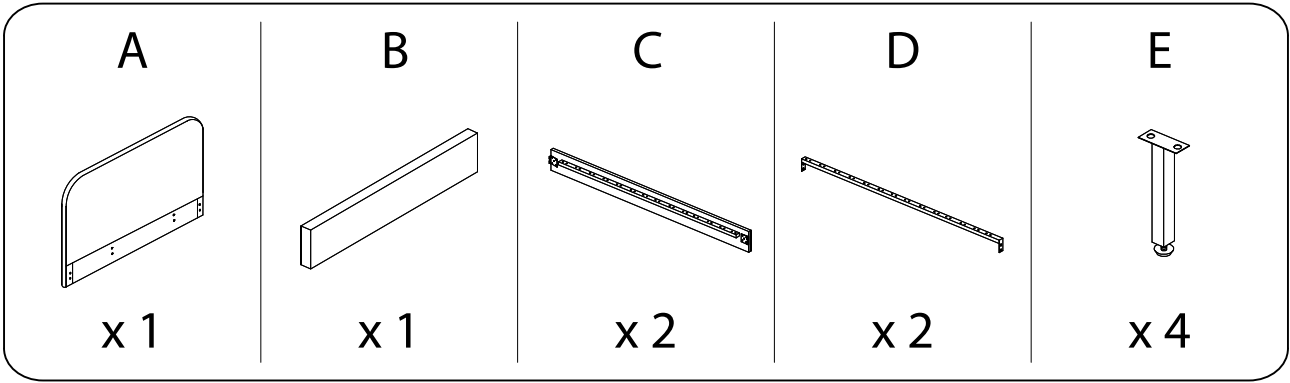
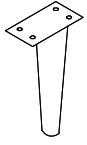


Assembly instructions for step 1/7:

- Tools:** A circle containing a screwdriver, a wrench, and an Allen key. A power drill is shown with a diagonal line through it, indicating it should not be used.
- Warning:** A triangle with an exclamation mark.
- Time:** A clock icon with the text "30'" below it, indicating an estimated assembly time of 30 minutes.
- Personnel:** A person icon with the number "2" below it, indicating that two people are required for assembly.
- Warning:** A triangle with an exclamation mark.
- Diagram:** A circle showing a mattress being placed on the bed frame. A second diagram shows a mattress being placed on a surface with a diagonal line through it, indicating it should not be placed on an uneven or soft surface.

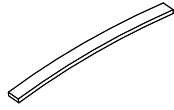


F



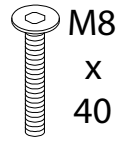
x 4

G



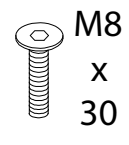
x 39

H



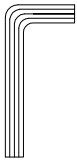
x 8

I



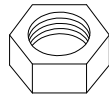
x 16

J



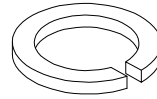
x 1

K



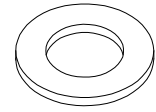
x 8

L



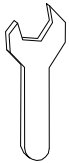
x 24

M



x 24

N



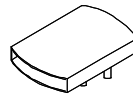
x 1

O



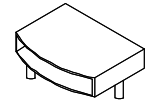
x 16

P



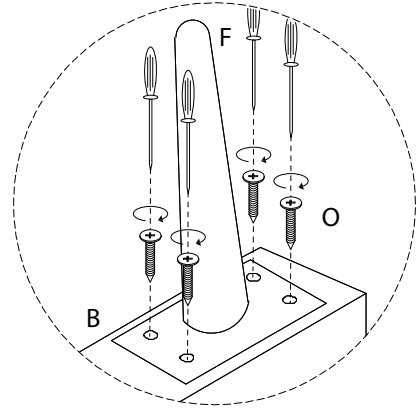
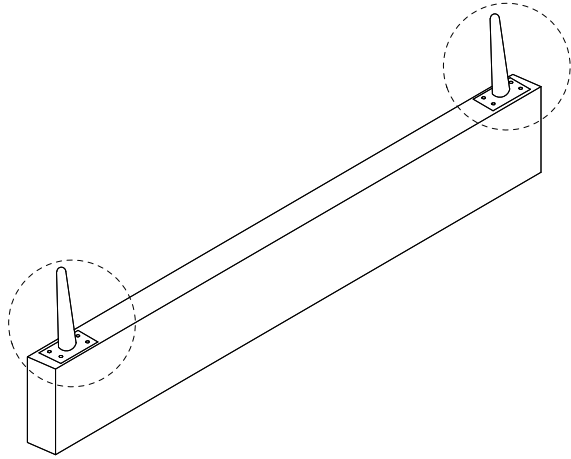
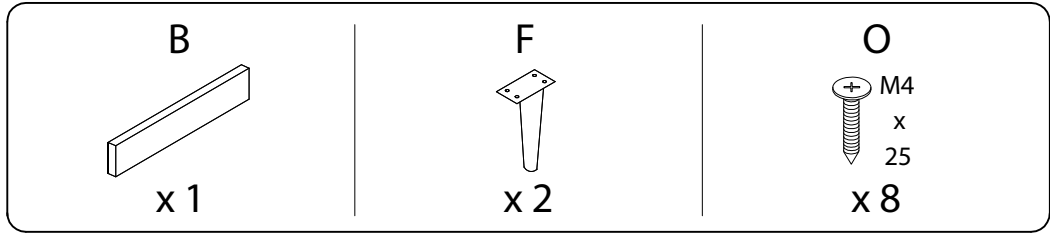
x 26

Q

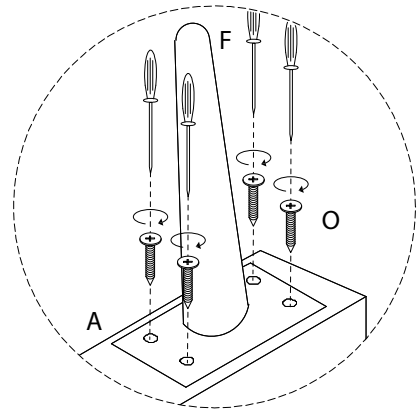
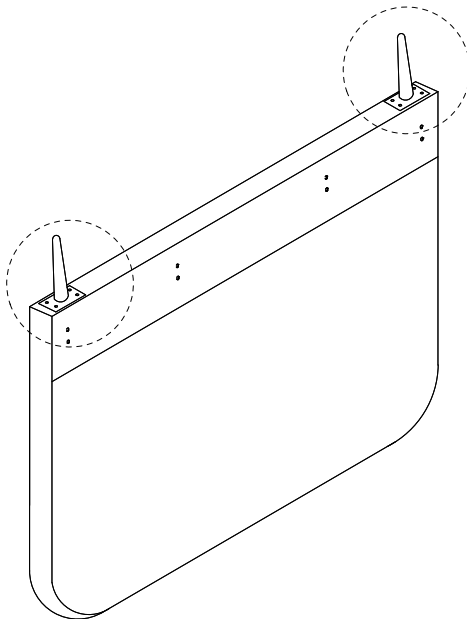
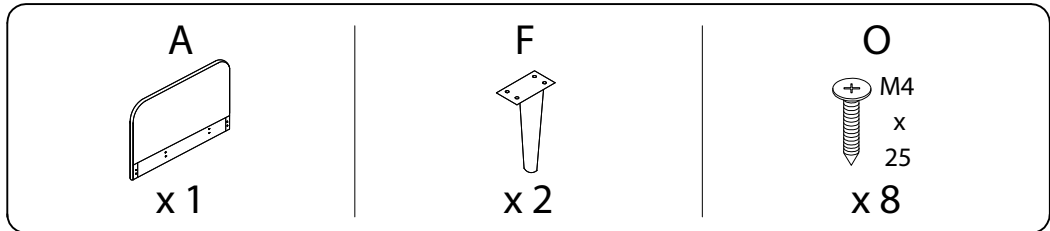


x 26

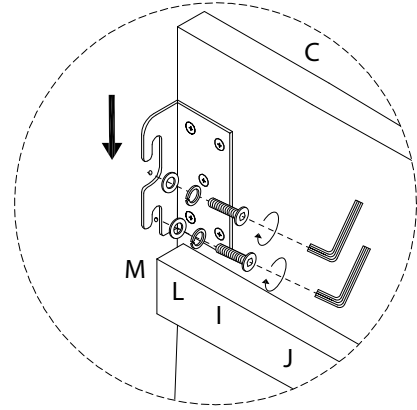
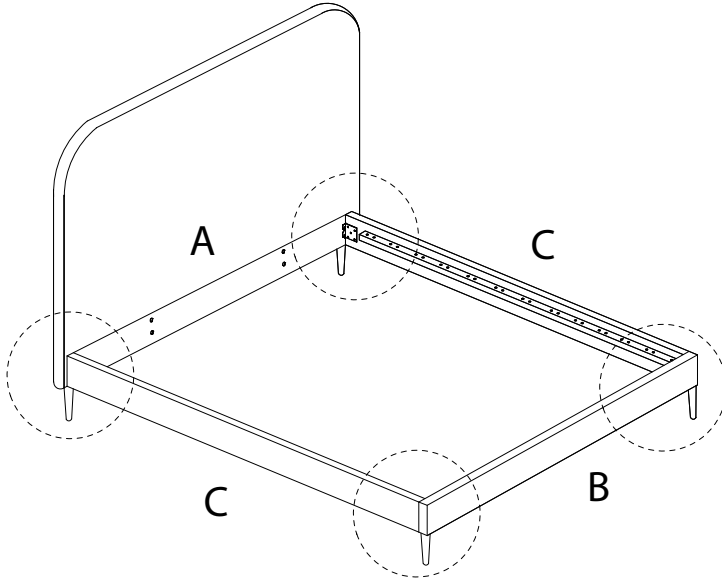
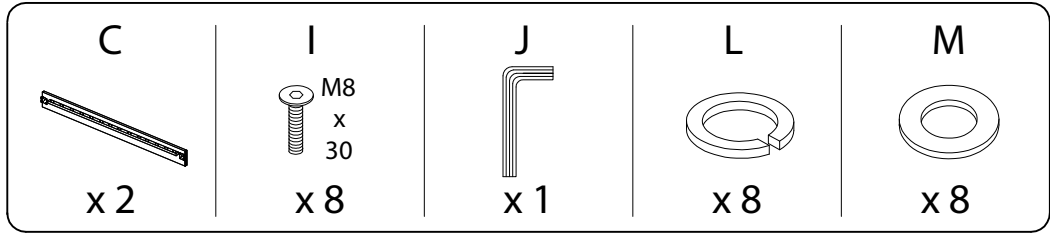
1



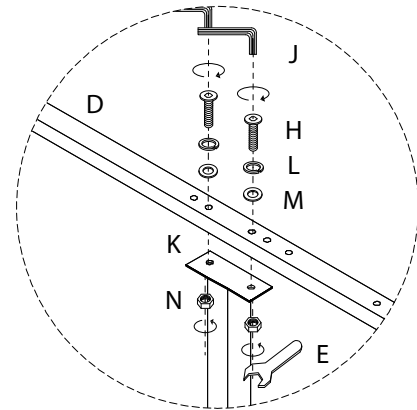
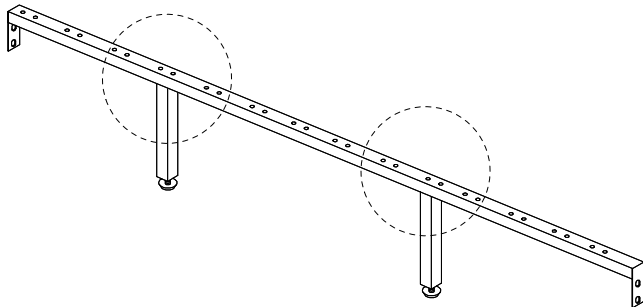
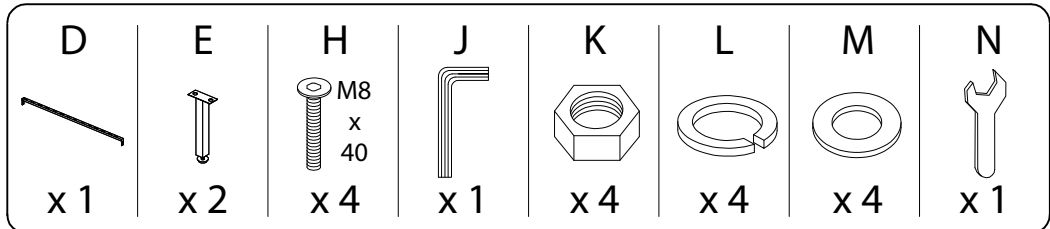
2



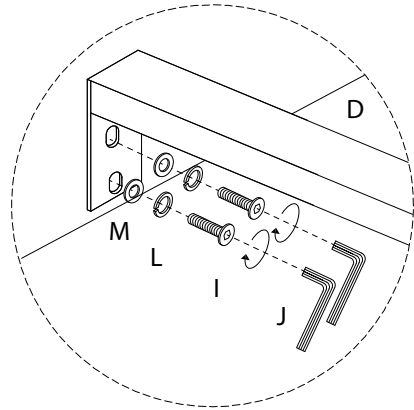
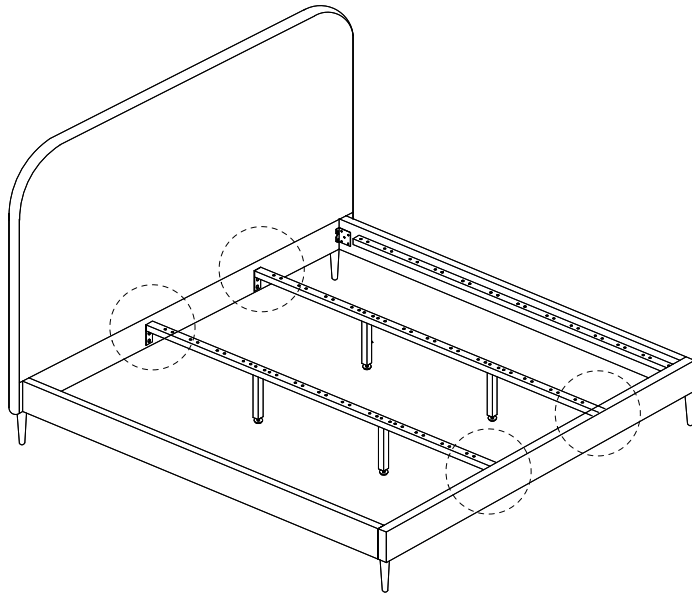
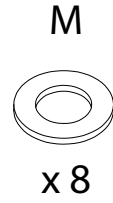
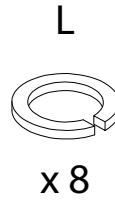
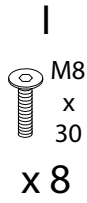
3



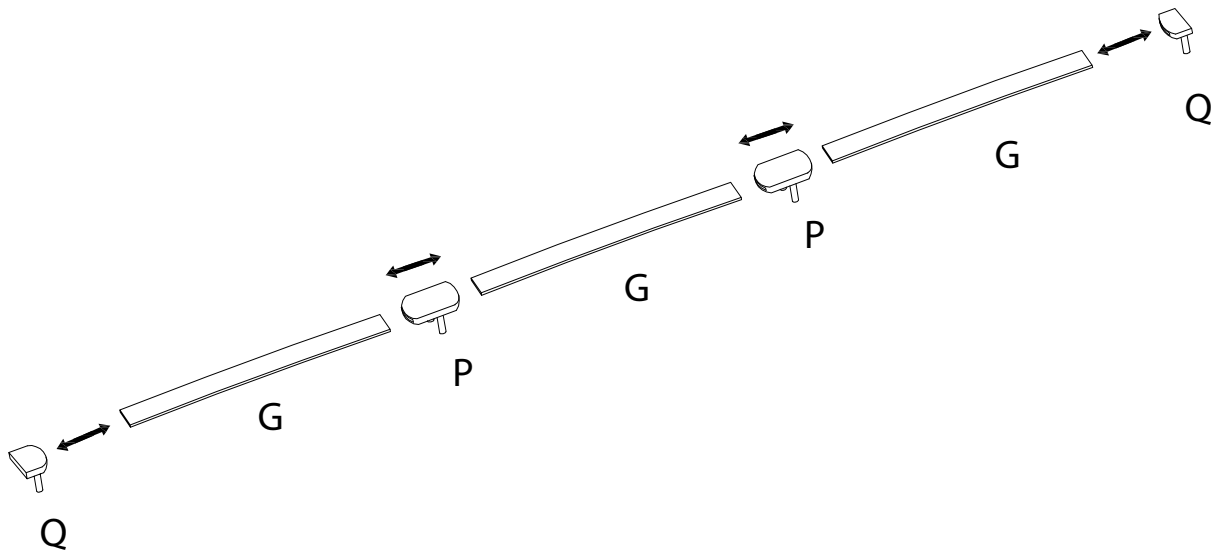
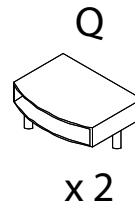
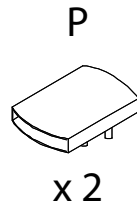
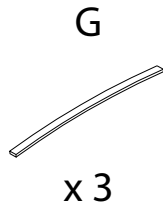
4 x 2



5



6 x 13



7 x 13

