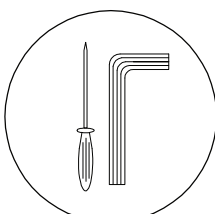
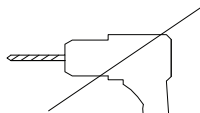
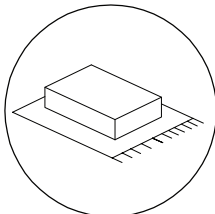
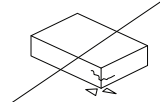


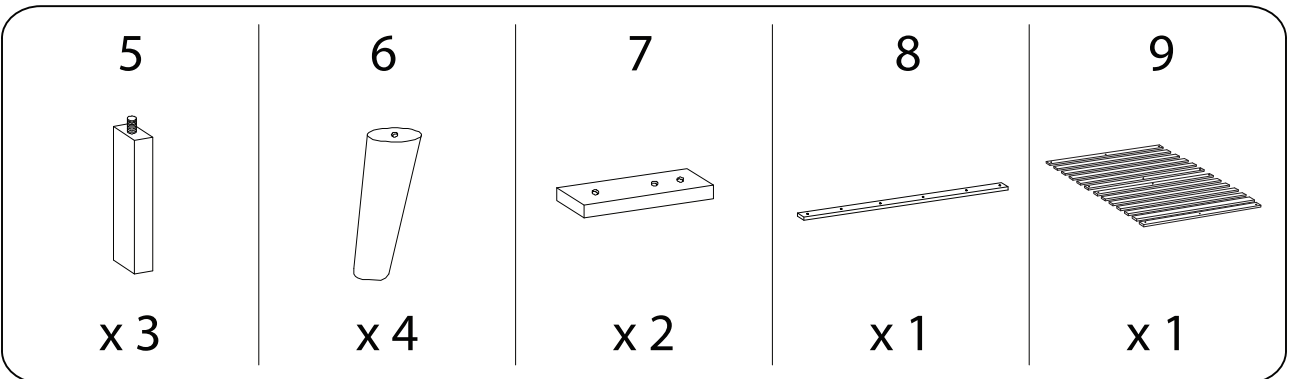
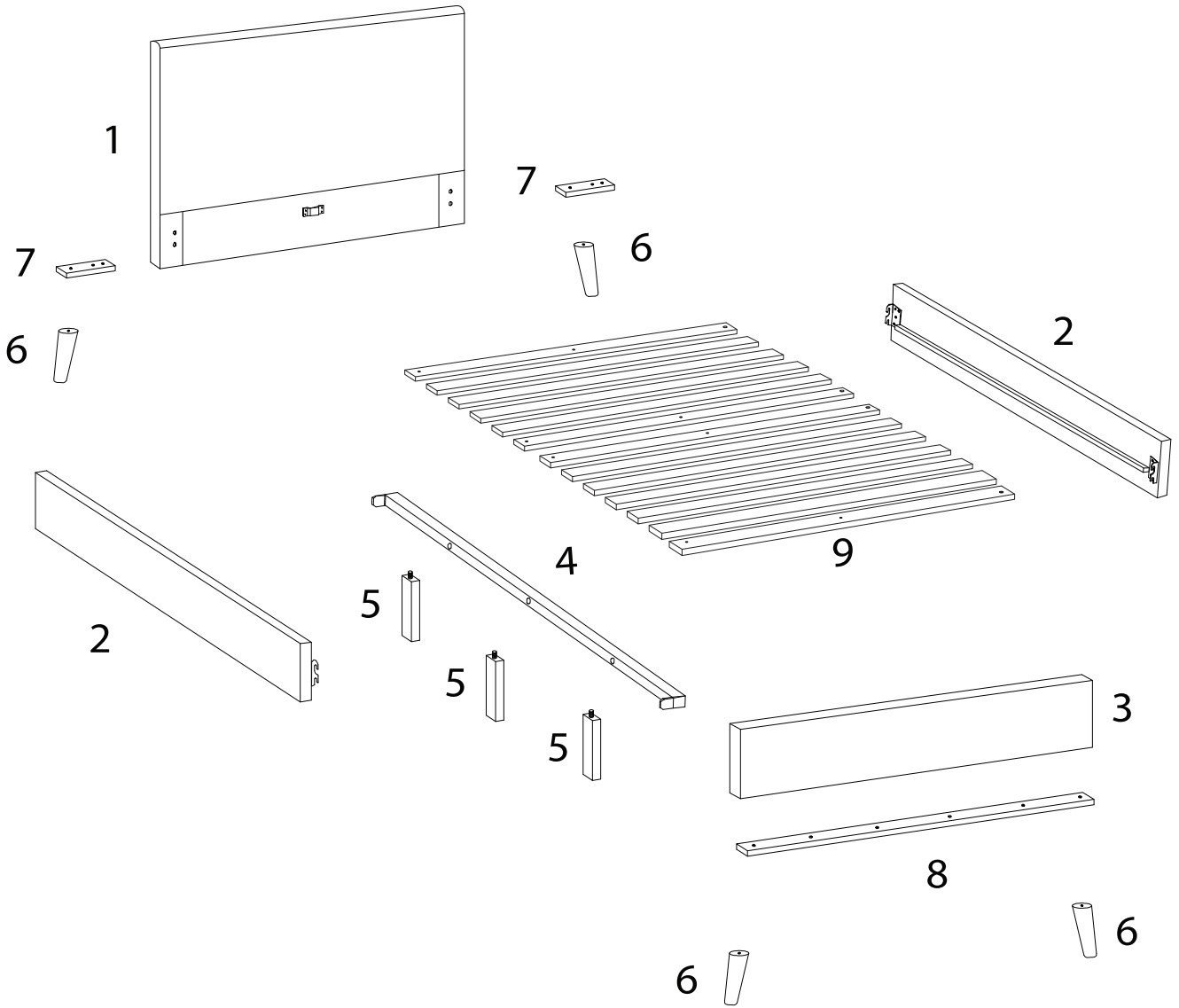
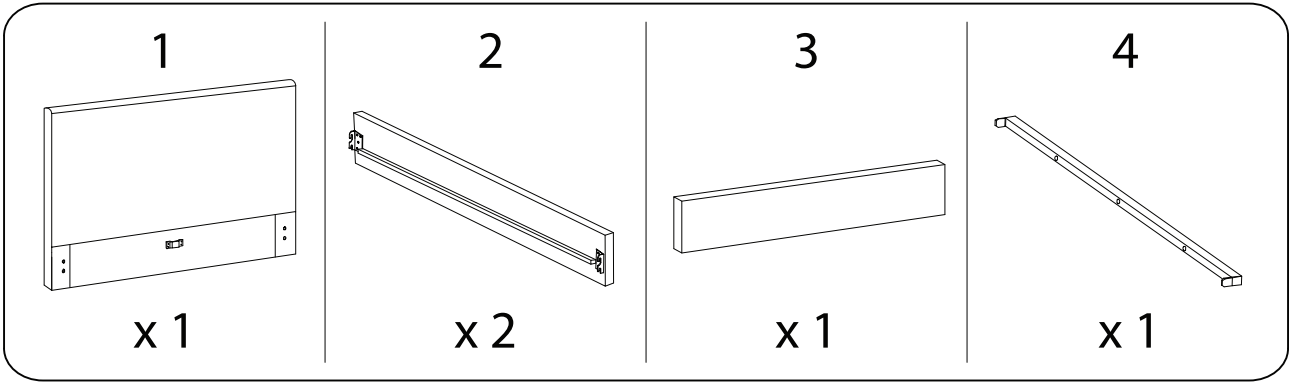
!   !

40'

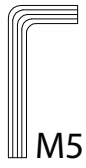
!   !

2

This section contains two rows of icons. The first row shows a circle with a screwdriver and an Allen key, and a power drill with a diagonal slash through it. To the right is a clock icon and the number '40'. The second row shows a circle with a mattress on a slatted base, and a mattress on a solid base with a diagonal slash through it. To the right is a person icon and the number '2'. Each row is preceded by a warning triangle containing an exclamation mark.

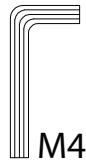


A



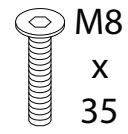
x 1

B



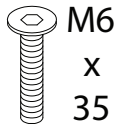
x 1

C



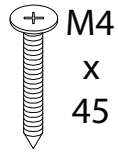
x 4

D



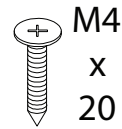
x 8

E



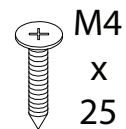
x 4

F





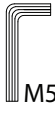

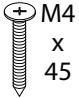
x 2

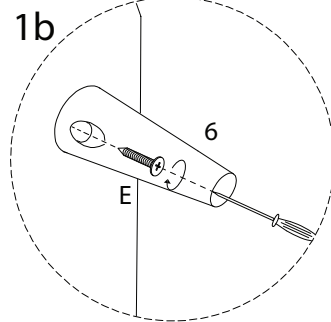
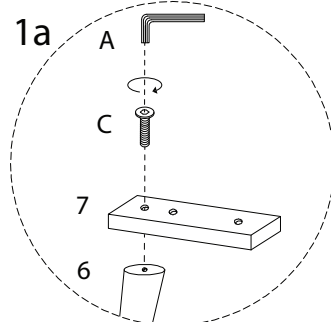
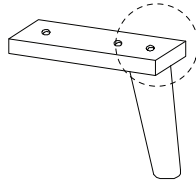
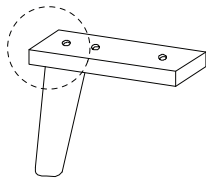
G







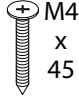
x 12

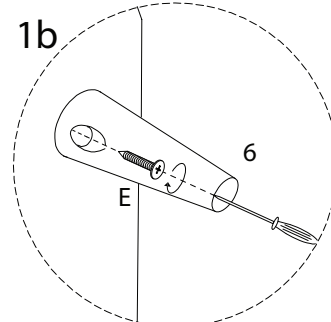
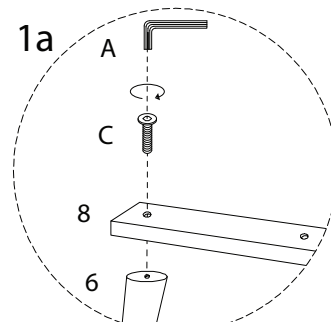
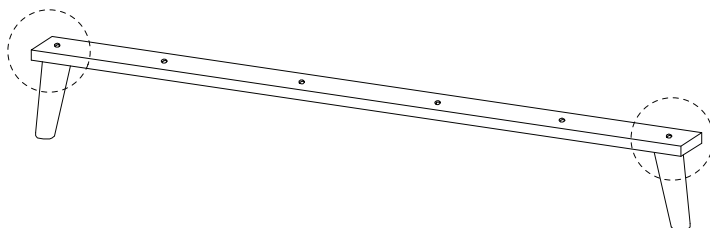
1

6  x 2	7  x 2	A  M5 x 1	C  M8 x 35 x 2	E  M4 x 45 x 2
--	--	--	--	--

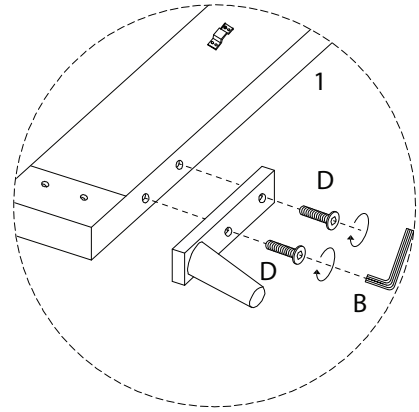
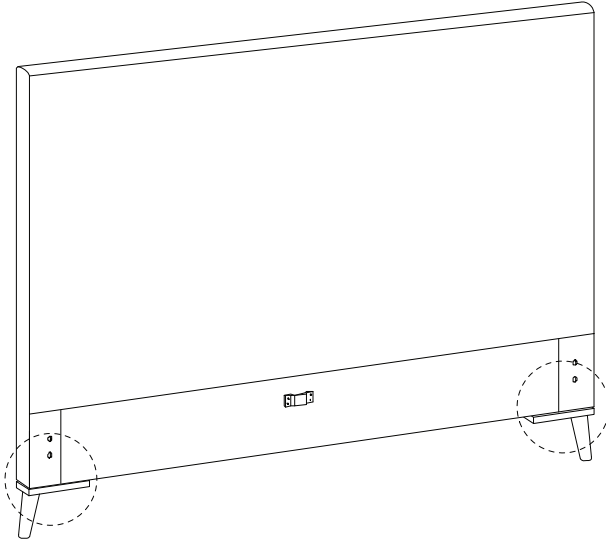
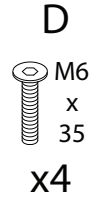
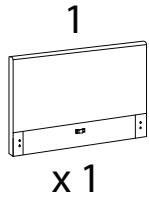


2

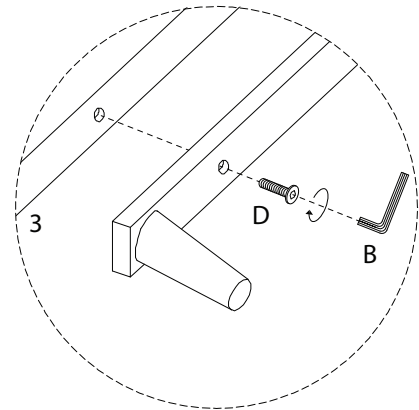
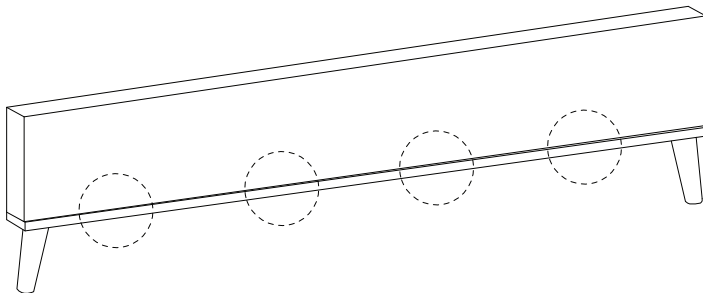
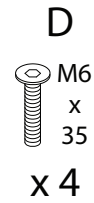
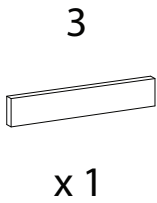
6  x 2	8  x 1	A  M5 x 1	C  M8 x 35 x 2	E  M4 x 45 x 2
--	--	--	--	--



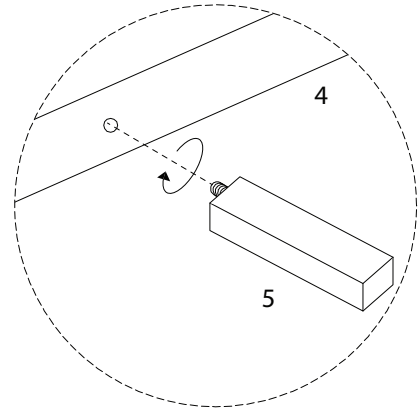
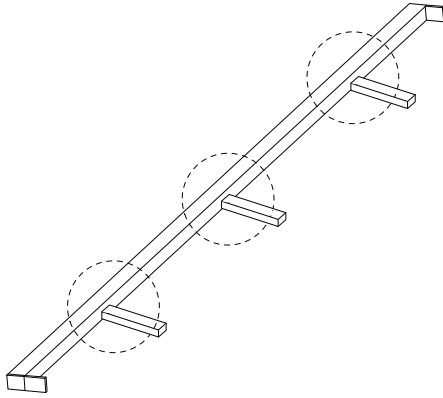
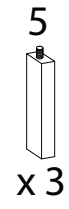
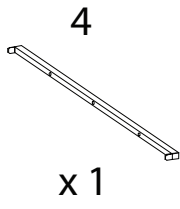
3



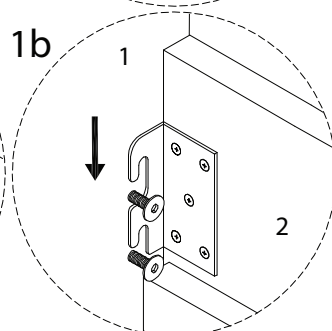
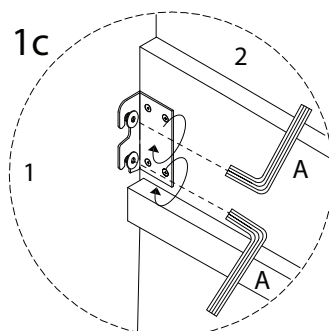
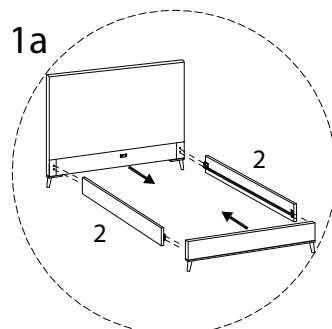
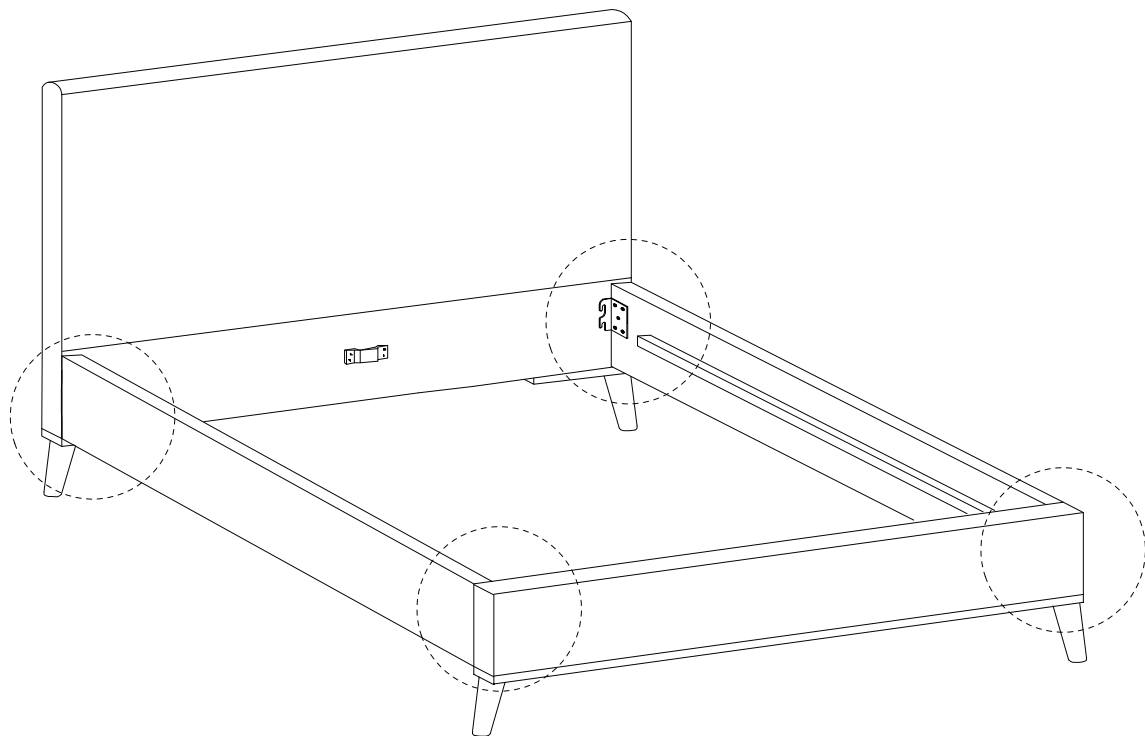
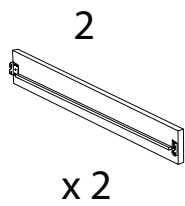
4



5



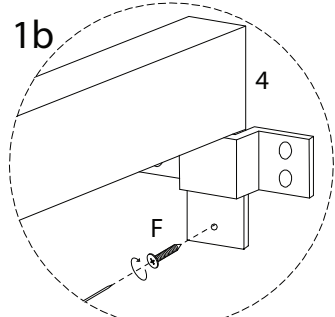
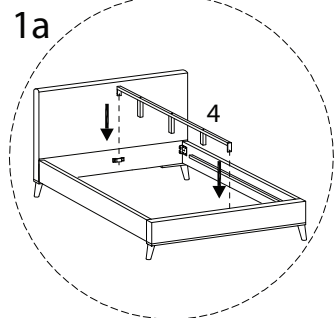
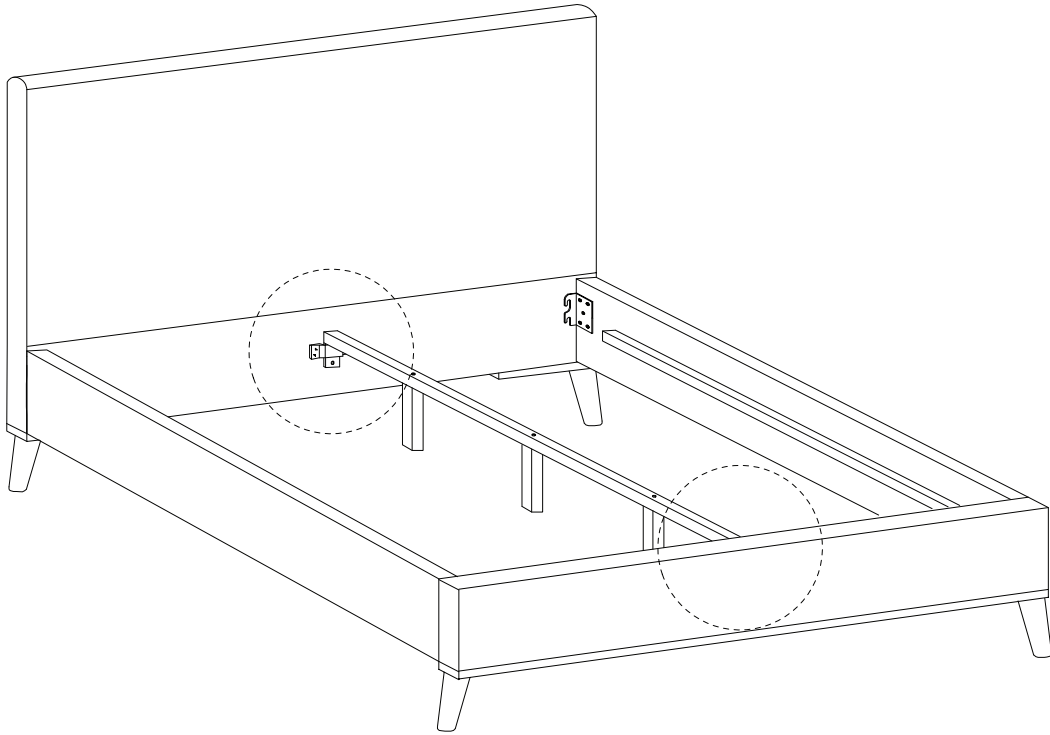
6



7

F

M4
x
20
x 2



8

9



x 1

G



x 12

