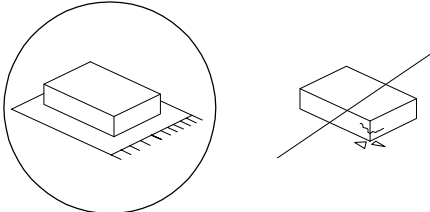
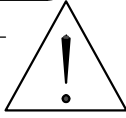

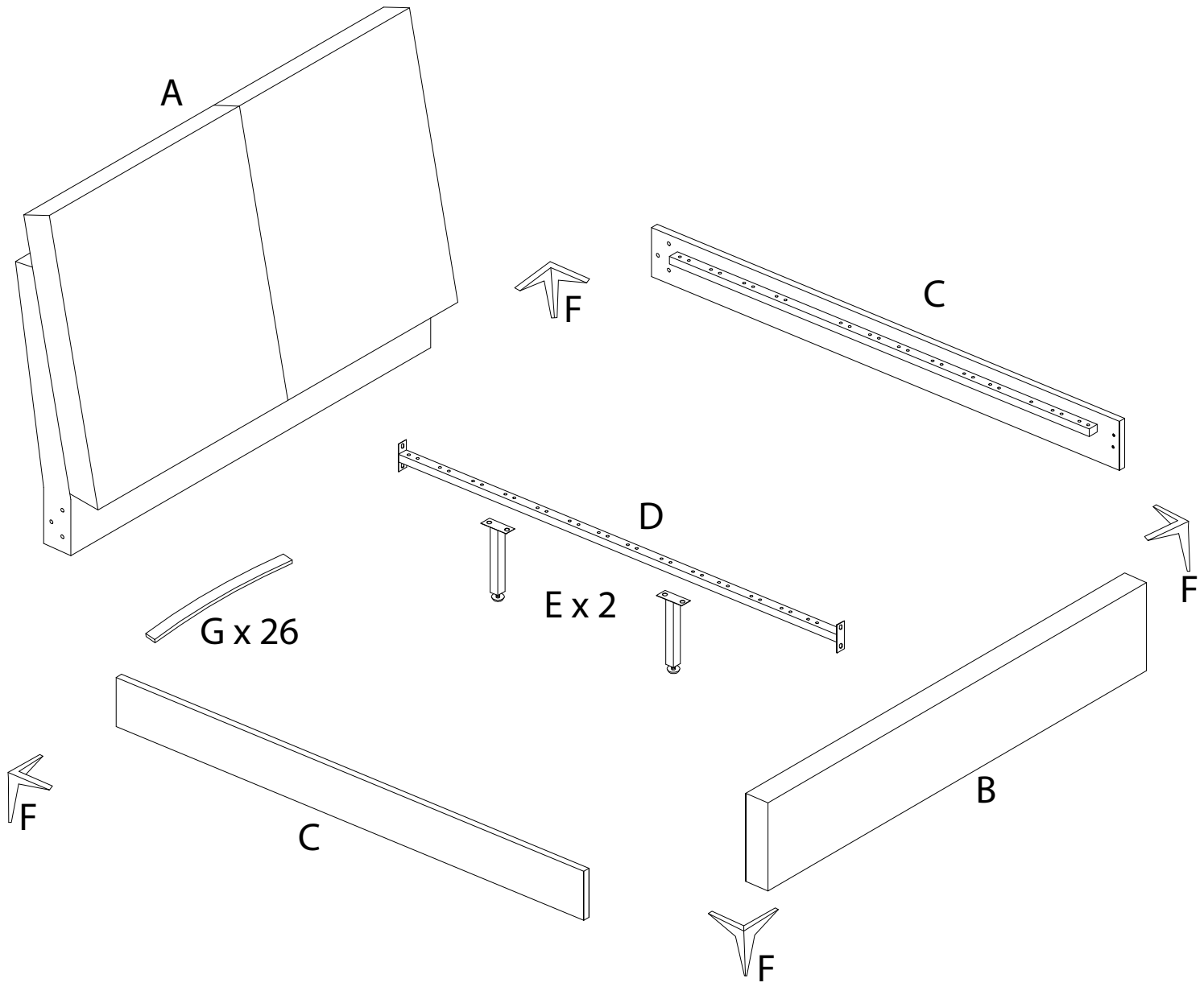
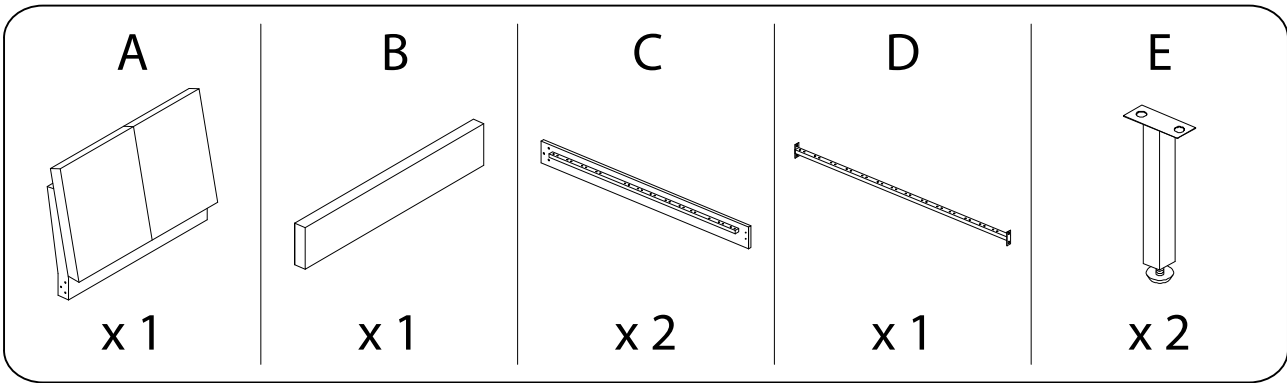
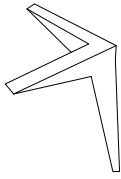

		45'
		
		2

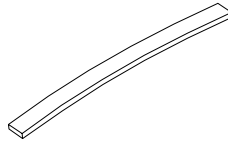


F



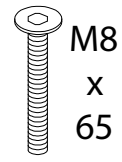
x 4

G



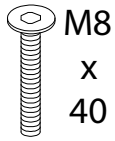
x 26

H



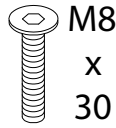
x 6

I



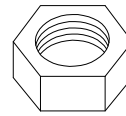
x 8

J



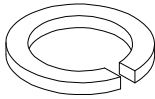
x 20

K



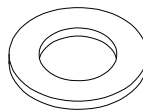
x 4

L



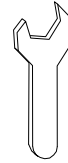
x 34

M



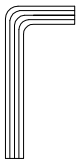
x 34

N



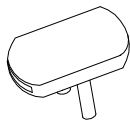
x 1

O



x 1

P



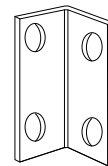
x 13

Q



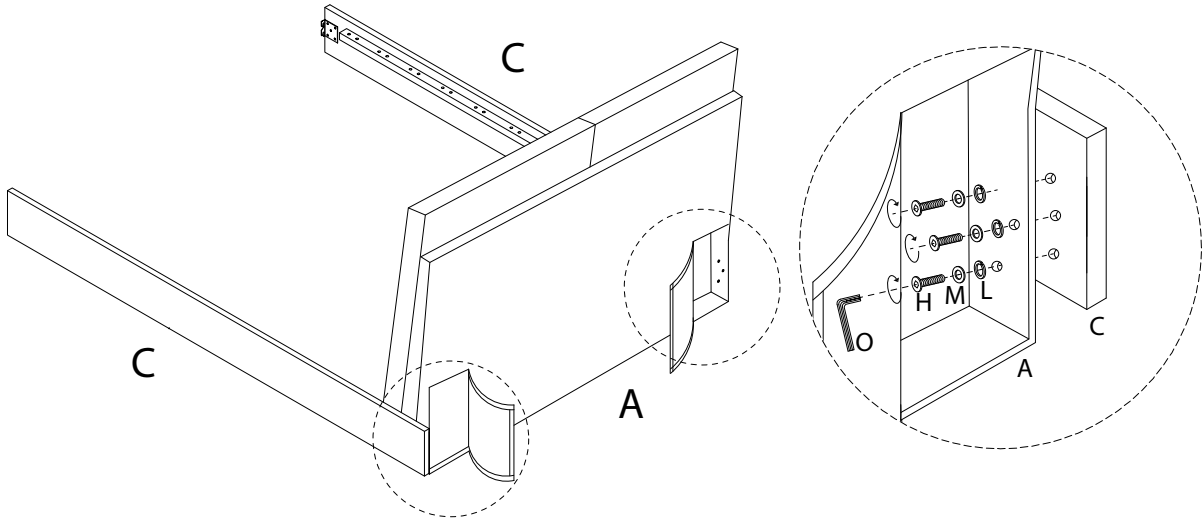
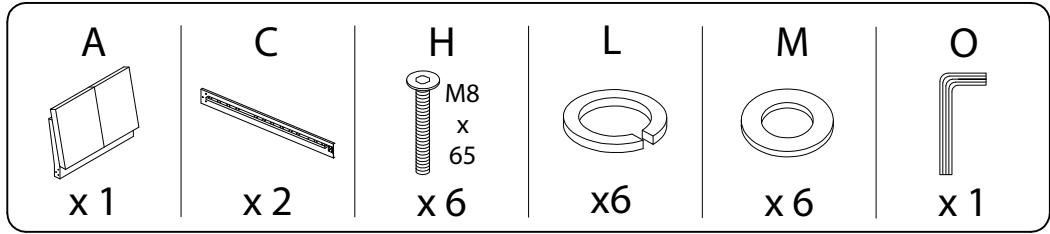
x 26

R

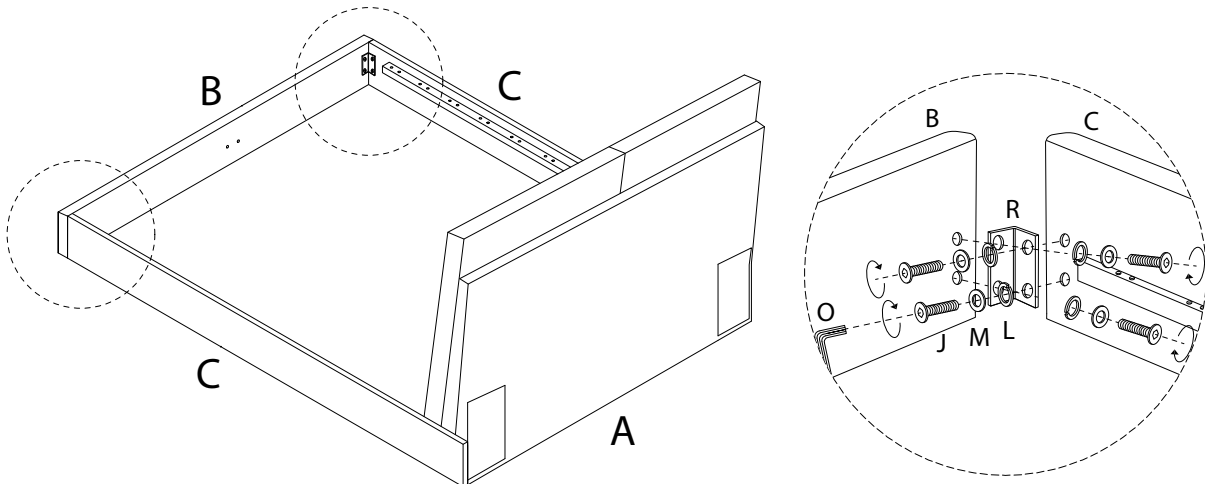
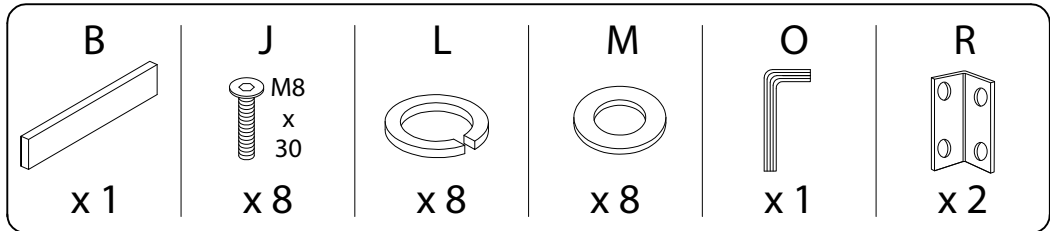


x 2

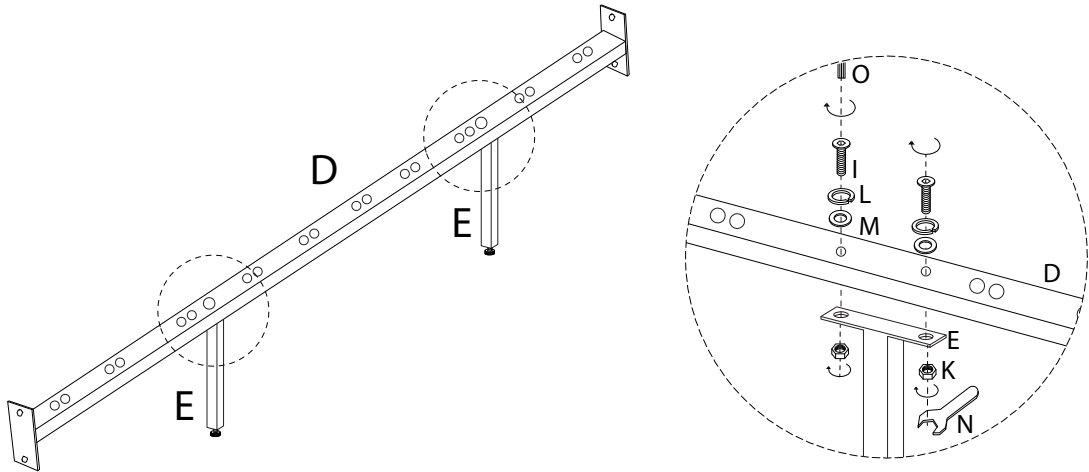
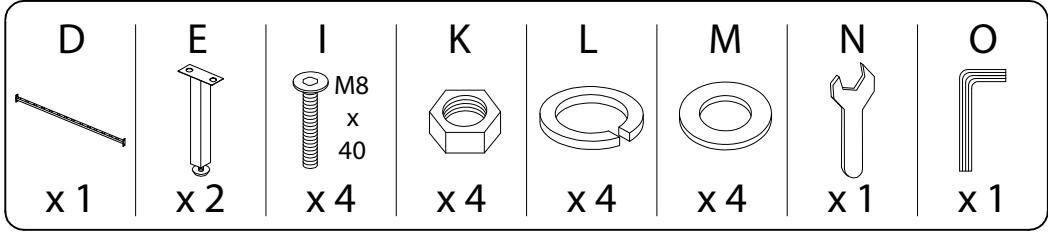
1



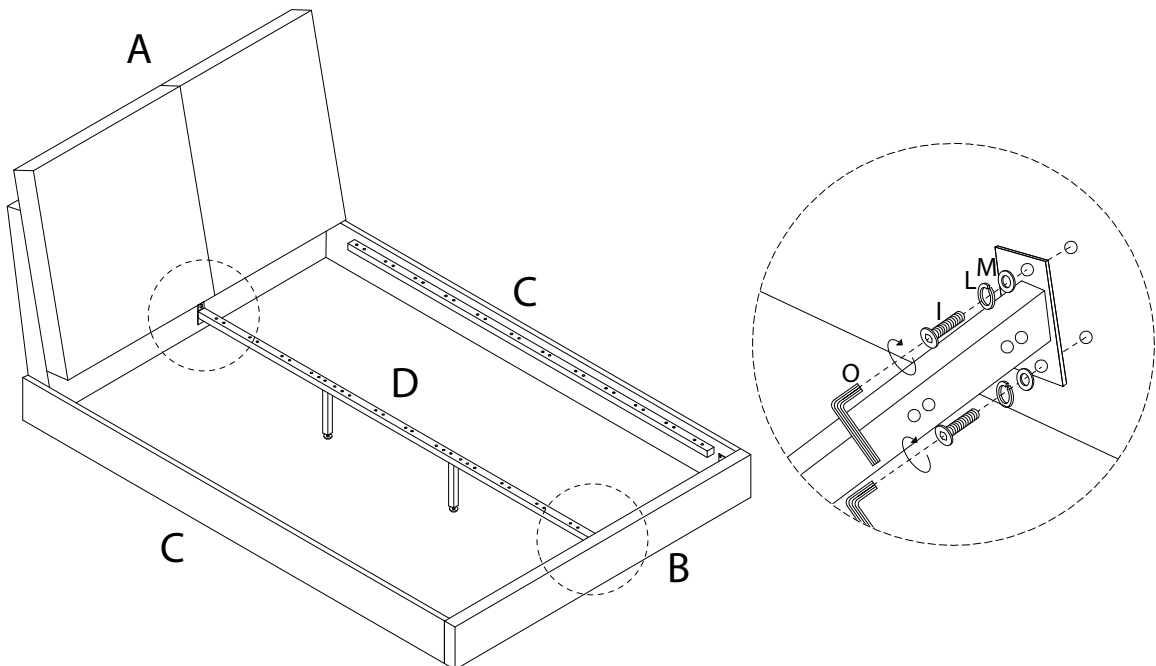
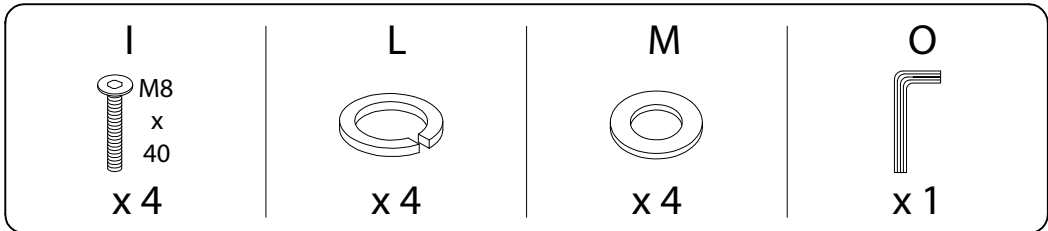
2



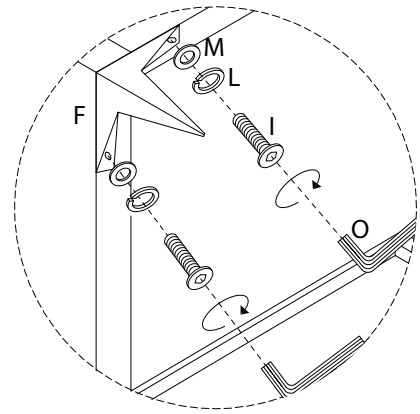
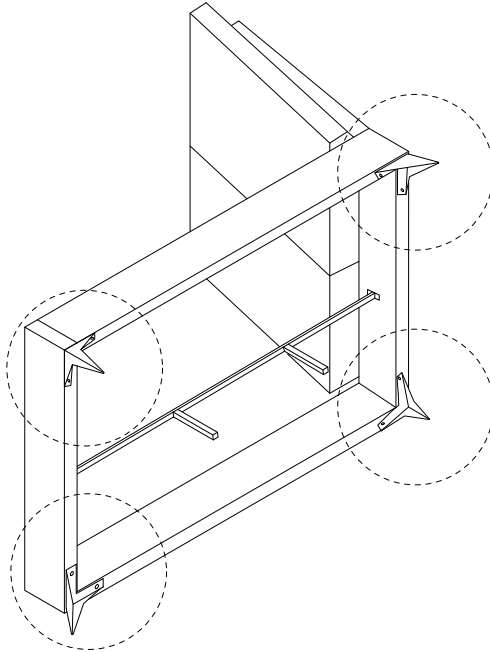
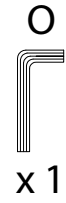
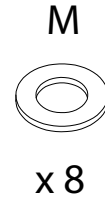
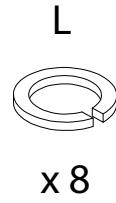
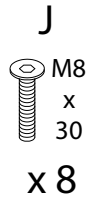
3



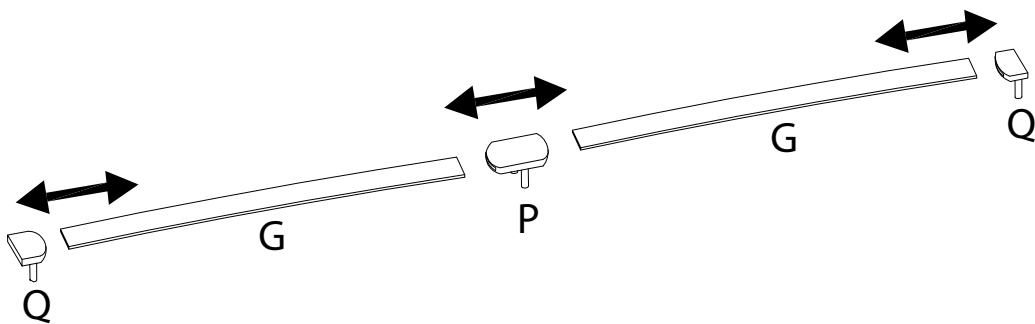
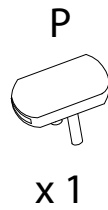
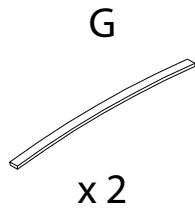
4



5



6 x 13



7 x 13

