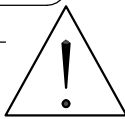
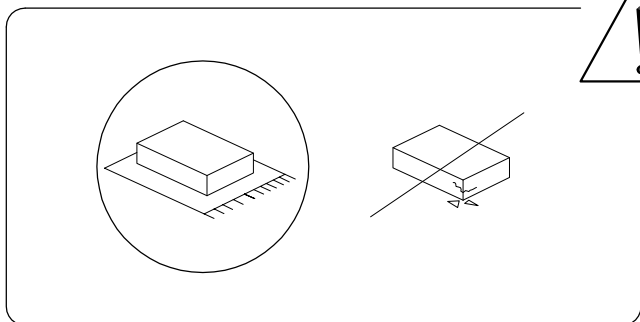
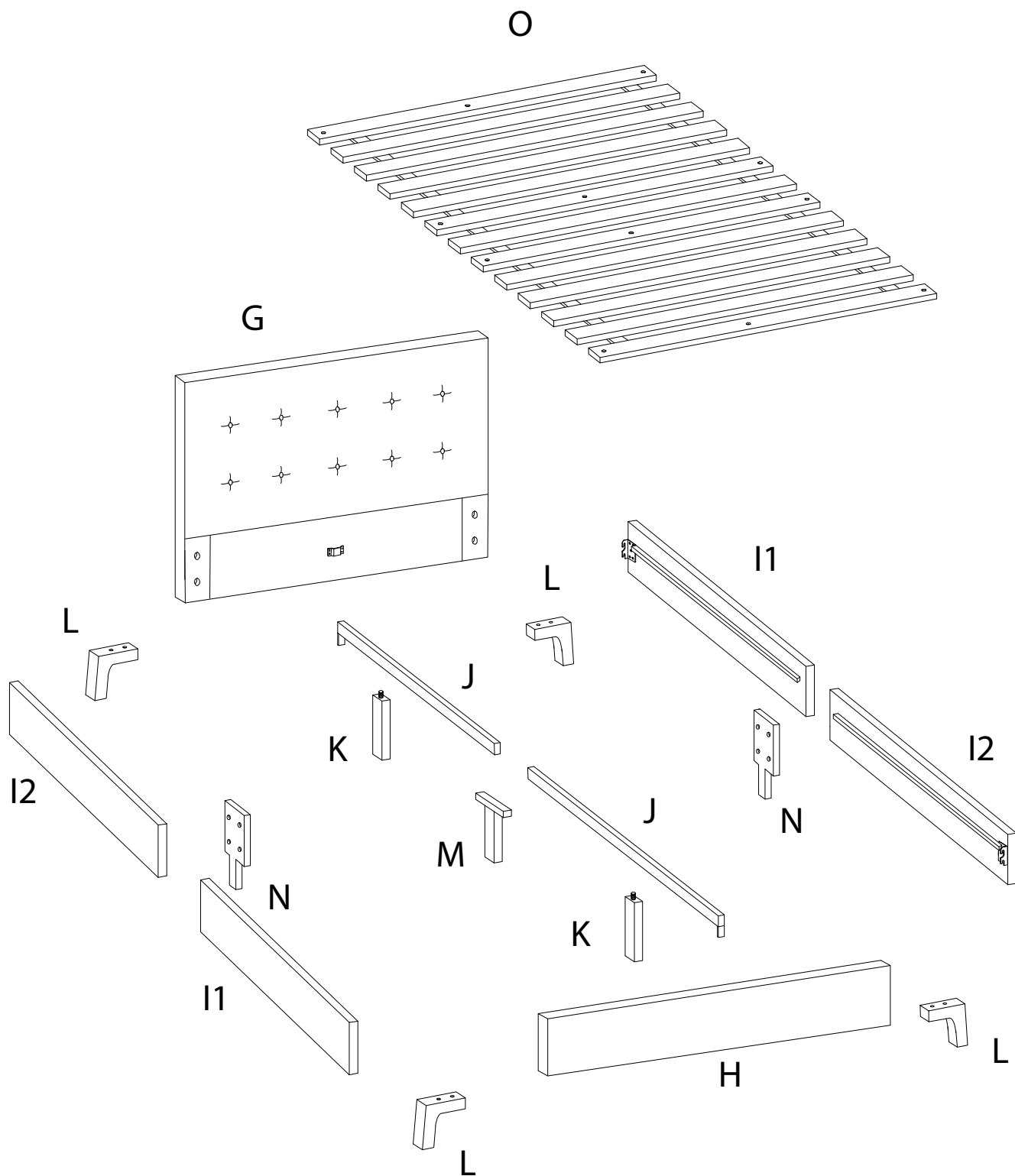


40'

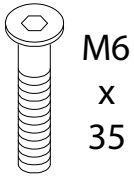


2



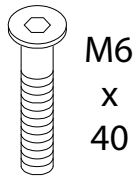
A	B	C	D
	<p>M4 x 20</p>		<p>M4 x 25</p>
x 1	x 2	x 1	x 12

E



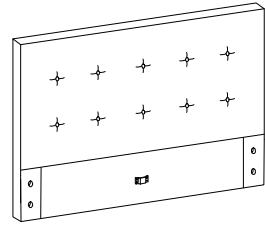
x 10

F



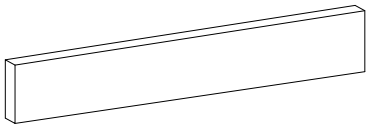
x 8

G



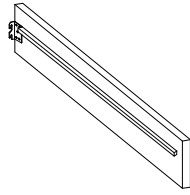
x 1

H



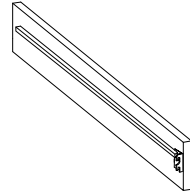
x 1

I1



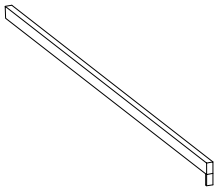
x 2

I2



x 2

J



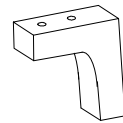
x 2

K



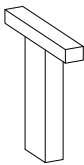
x 2

L



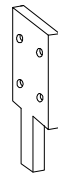
x 4

M



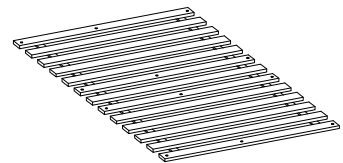
x 1

N



x 2

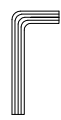
O



x 1

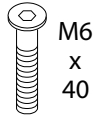
1

C



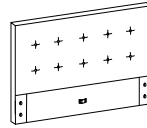
x 1

F



x 4

G

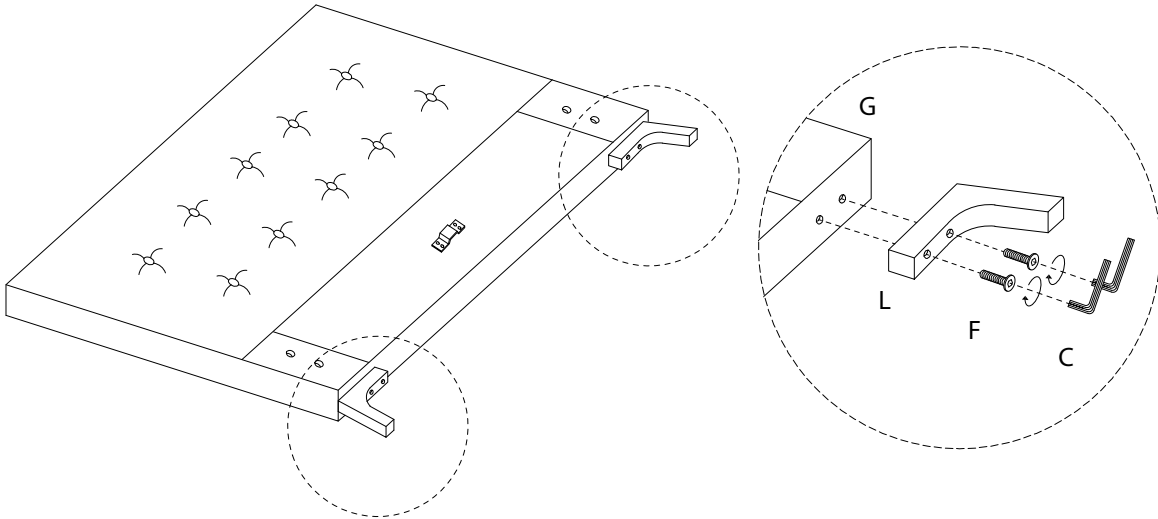


x 1

L

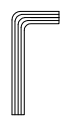


x 2



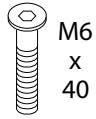
2

C



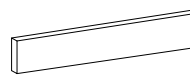
x 1

F



x 4

H

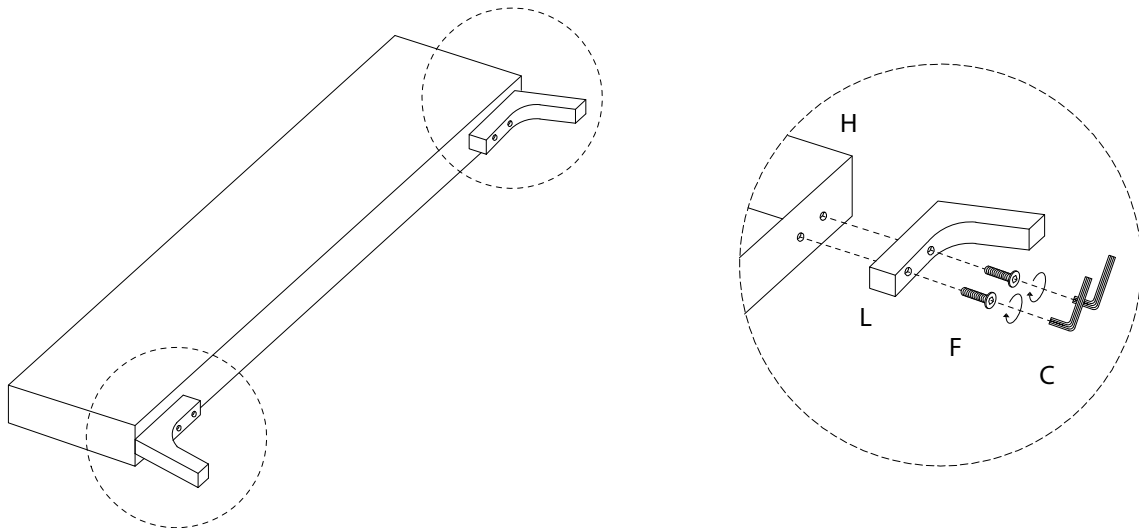


x 1

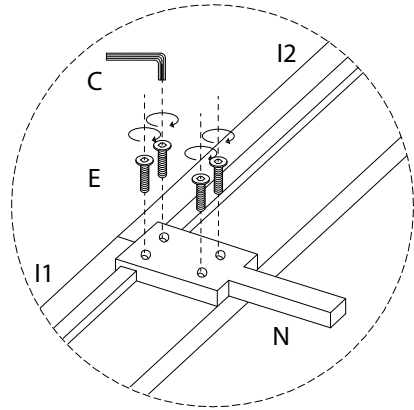
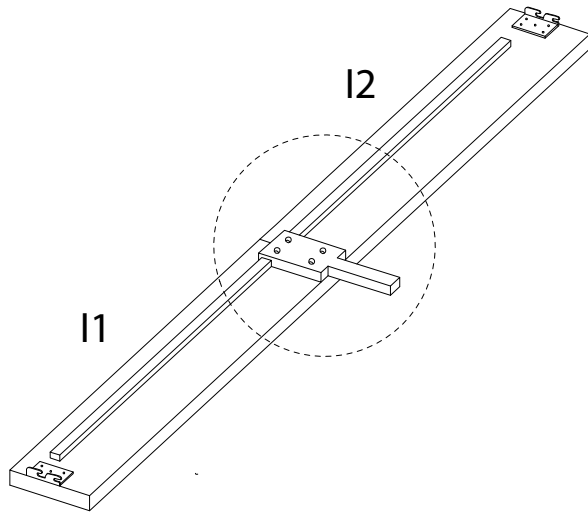
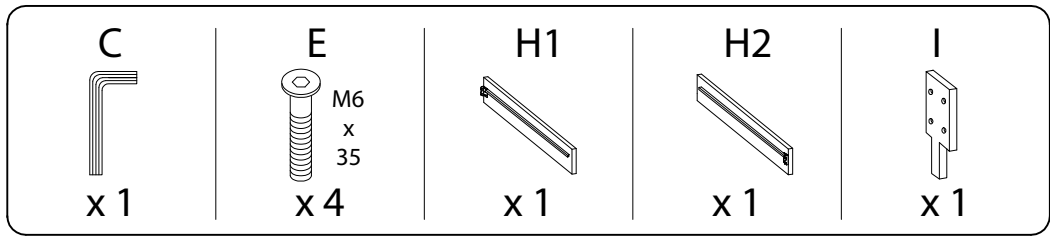
L



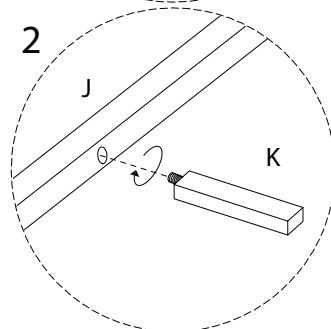
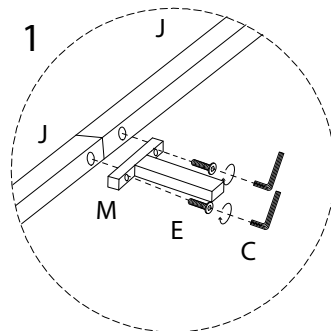
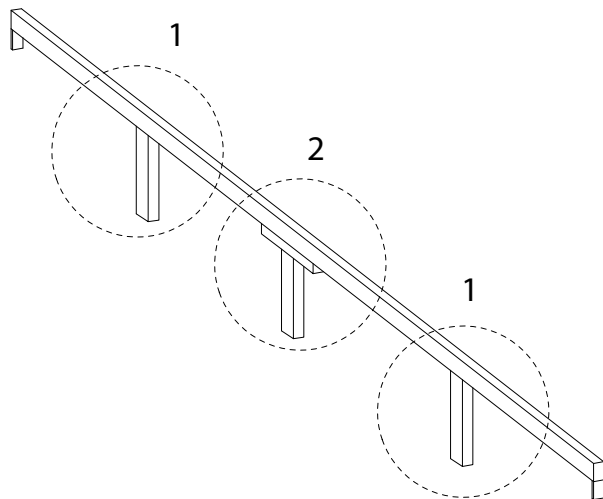
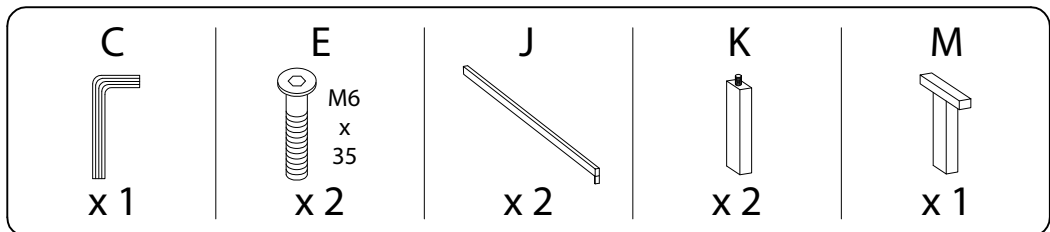
x 2



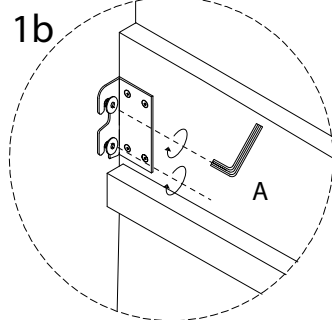
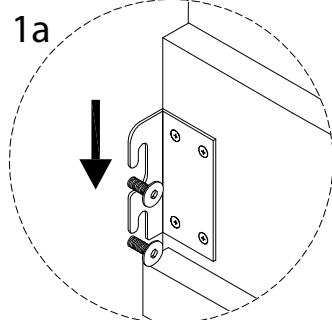
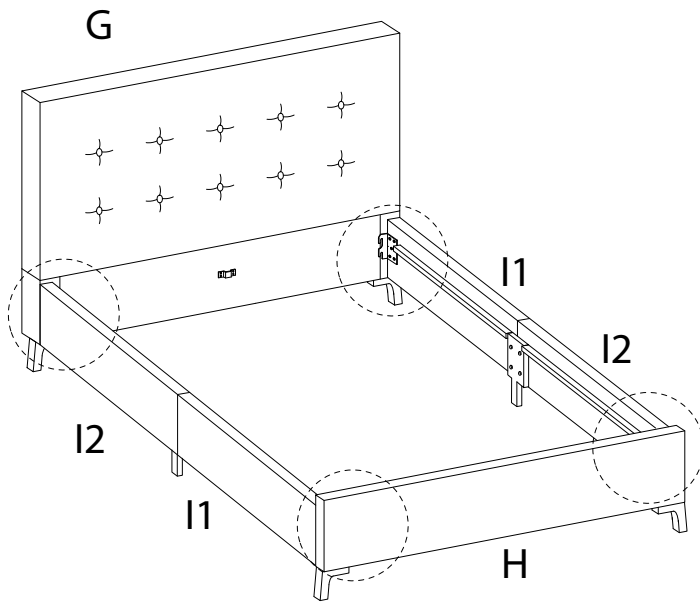
3 x 2



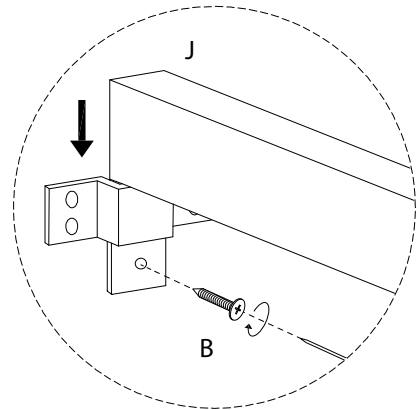
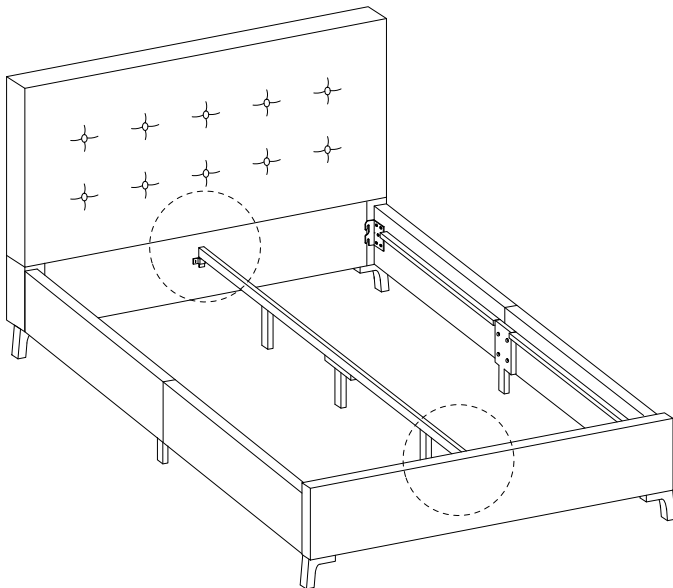
4



5



6



7

D
M4
x
25
x 12

O
x 1

