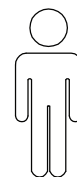
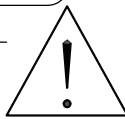
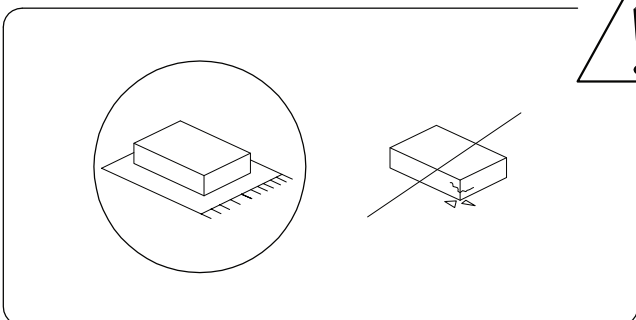
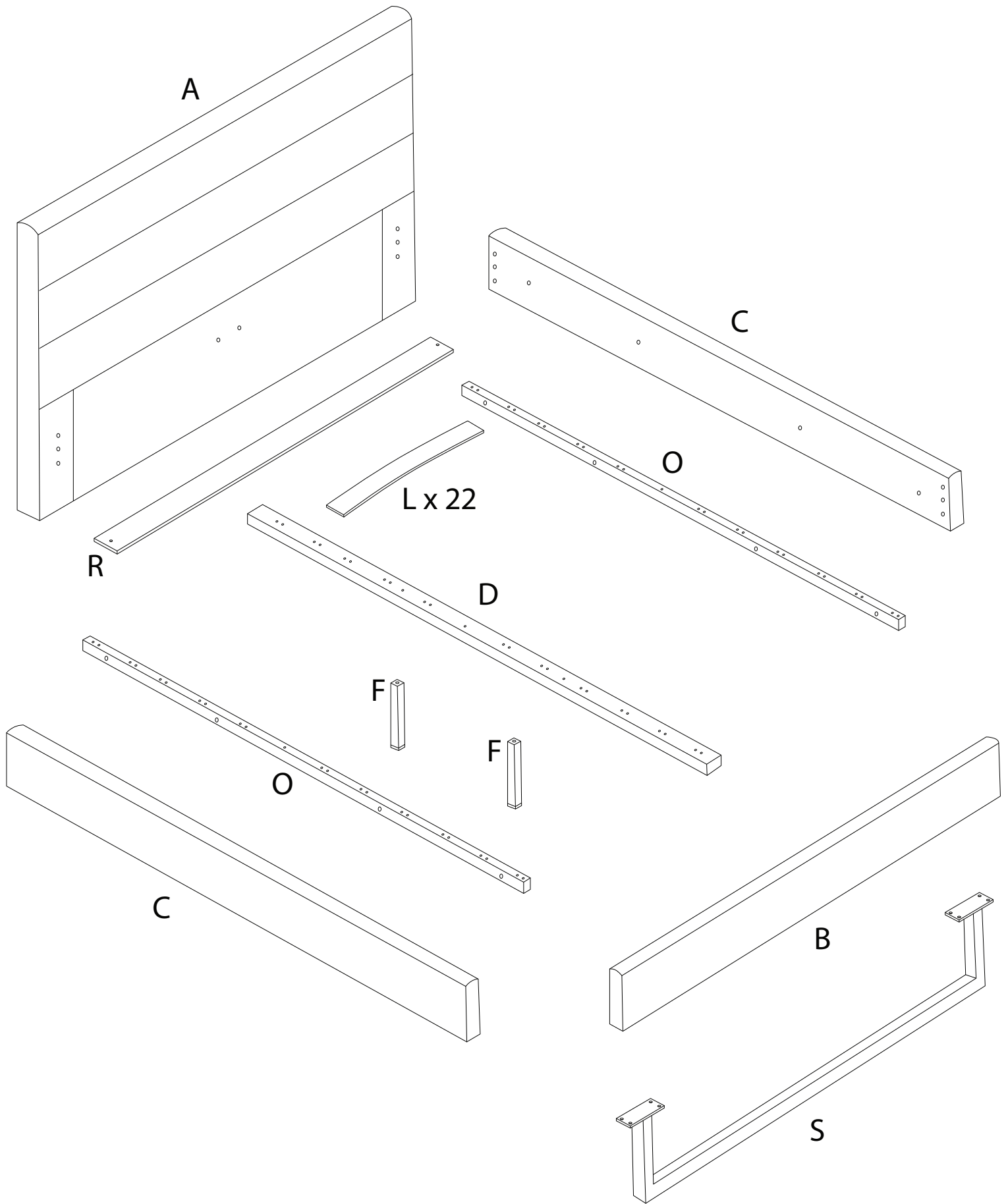
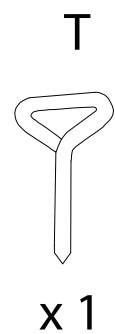
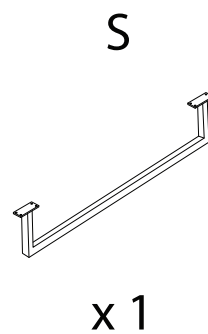
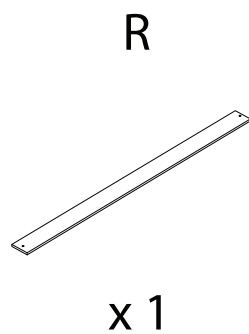
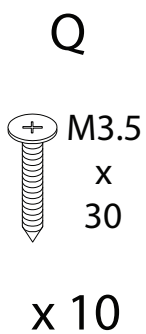
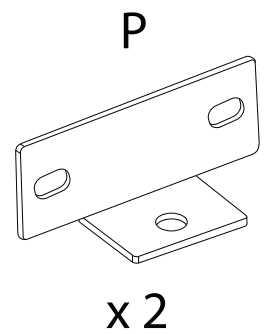
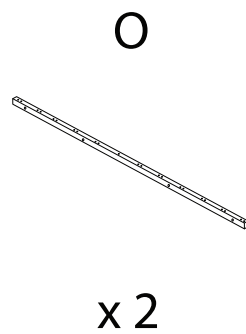
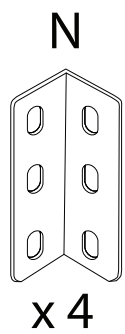
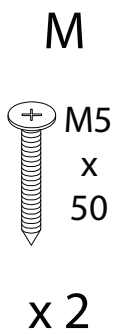
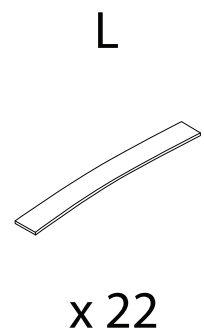
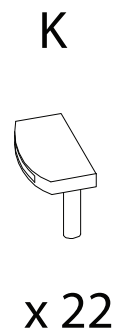
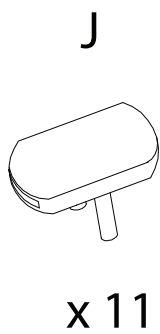
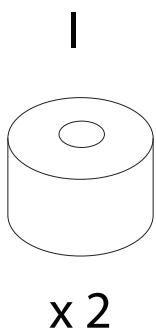
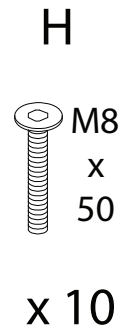
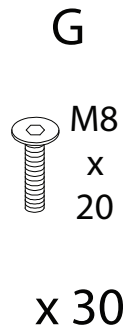
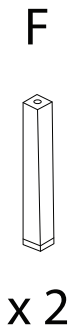
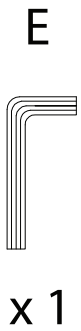
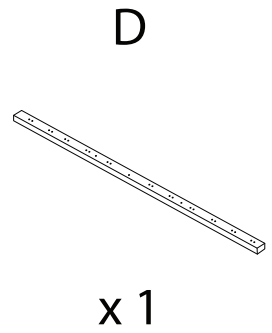
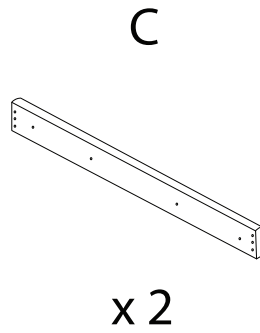
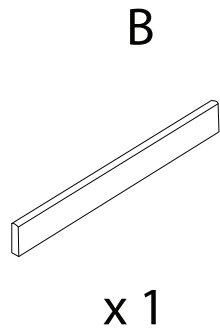
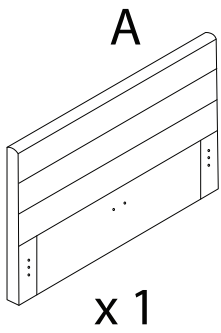


45'

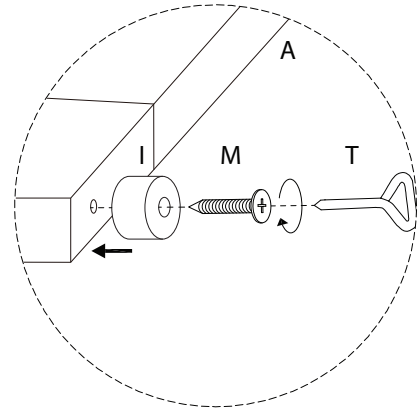
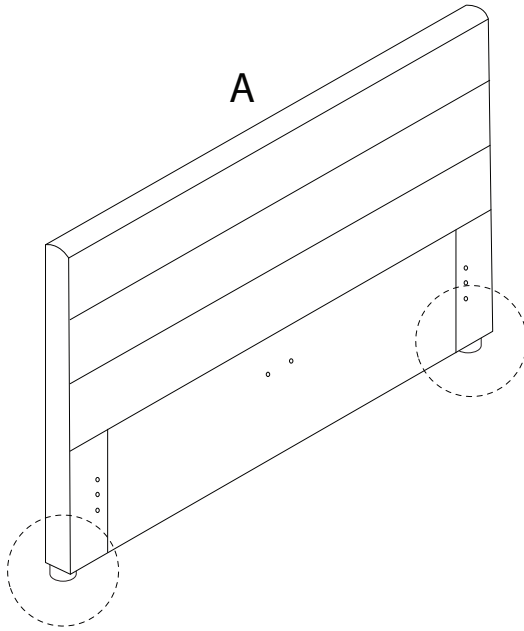
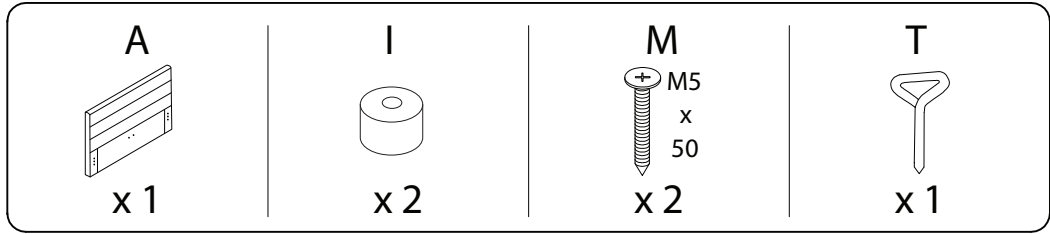


2

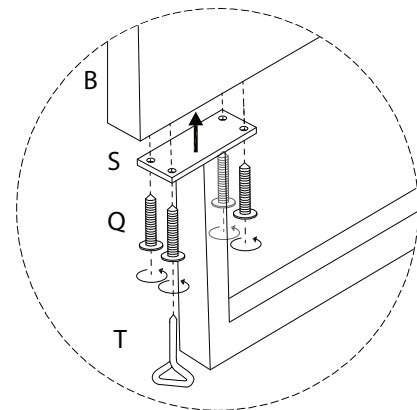
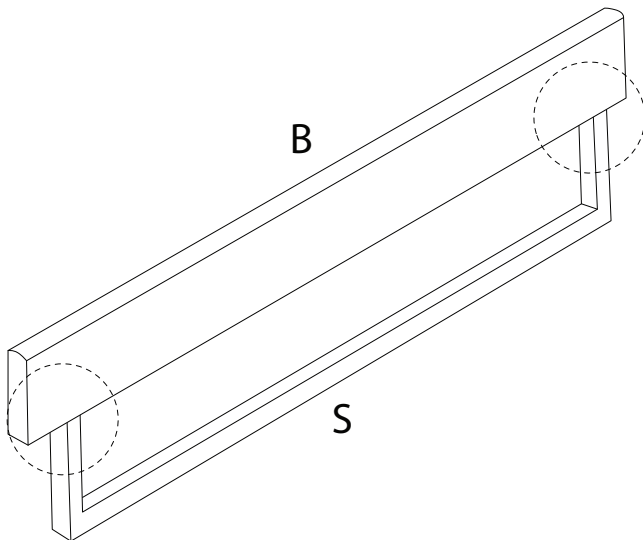
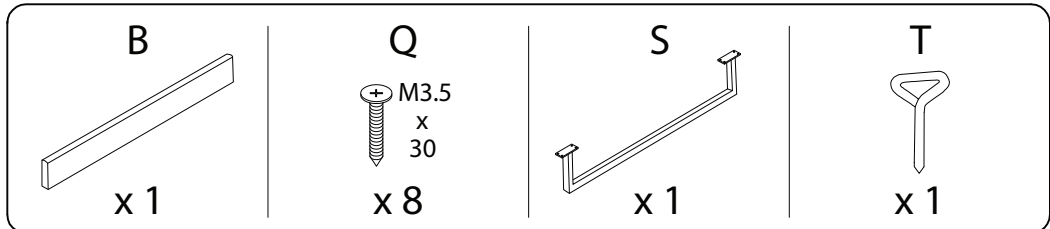




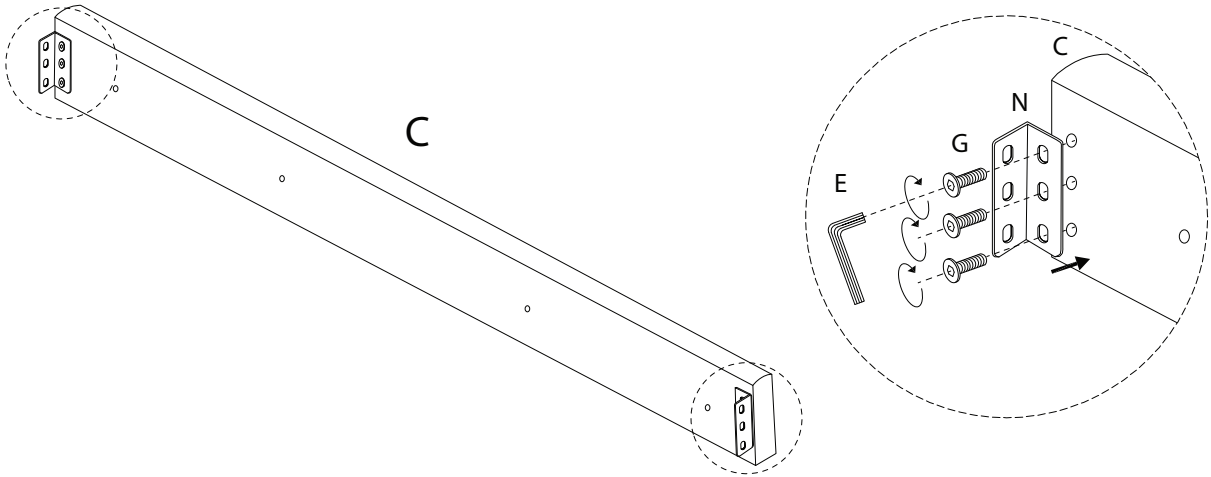
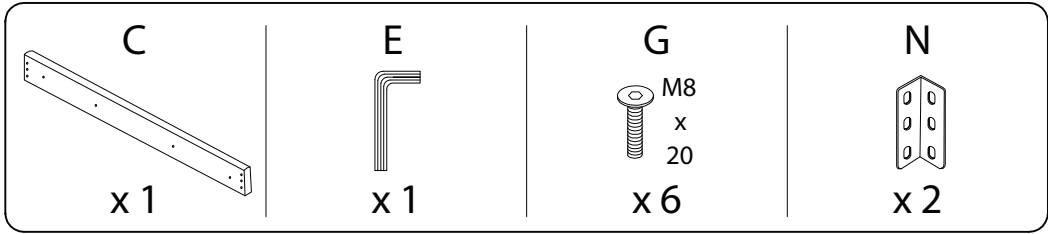
1



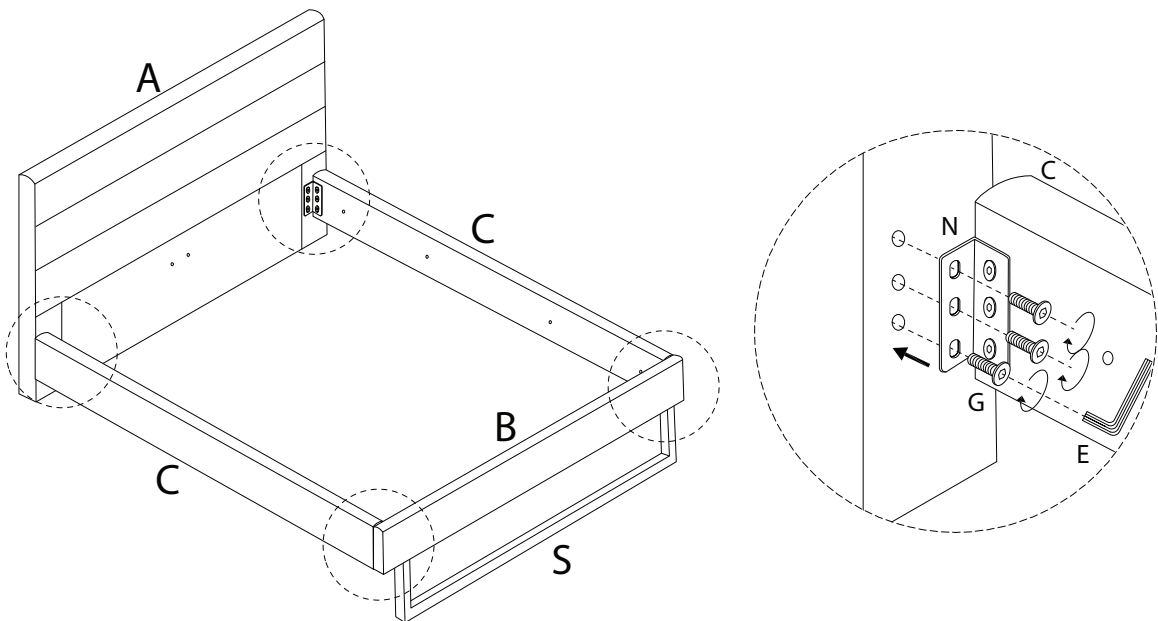
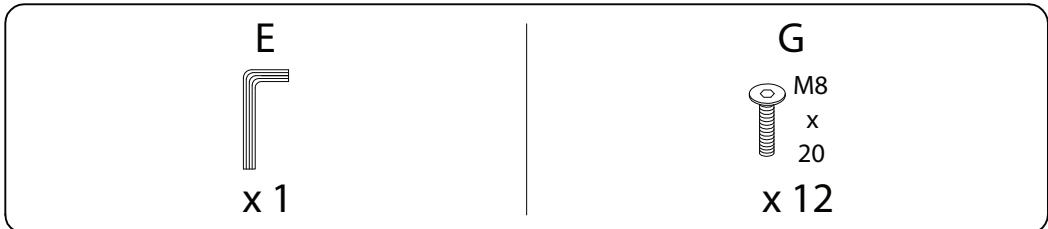
2



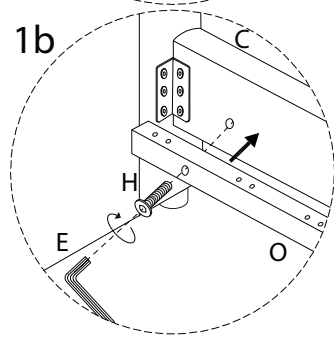
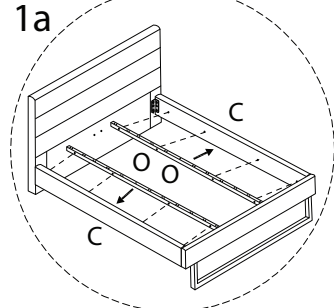
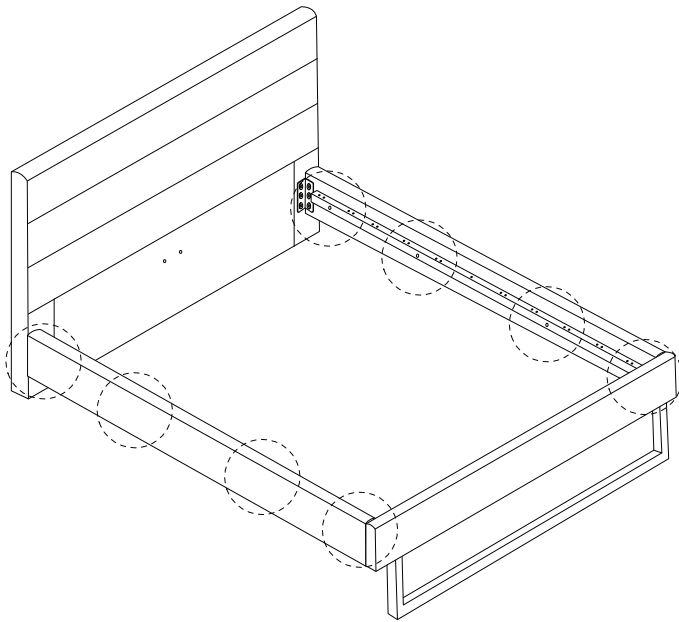
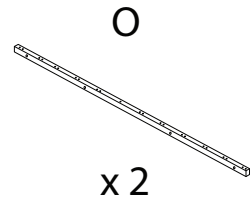
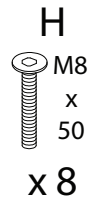
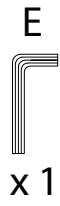
3 x 2



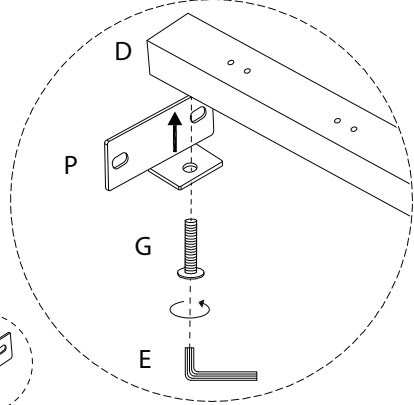
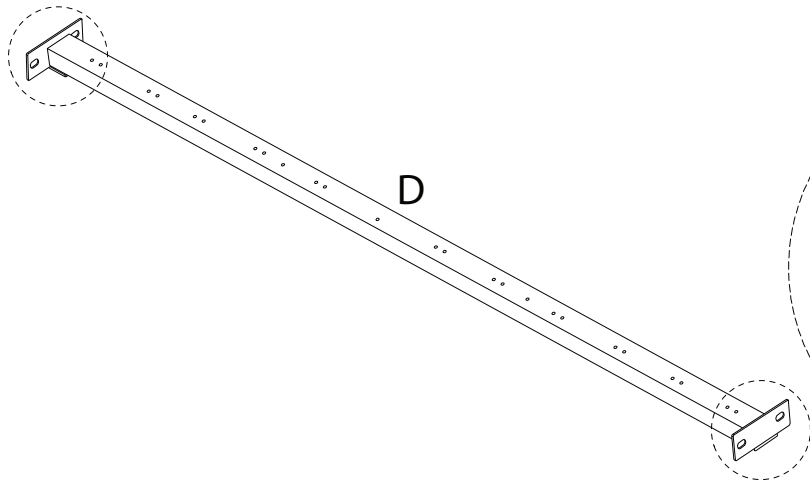
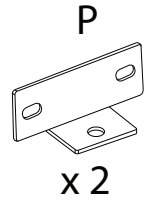
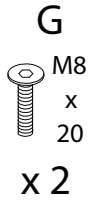
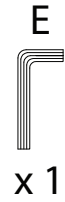
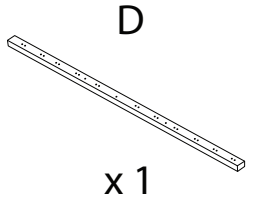
4



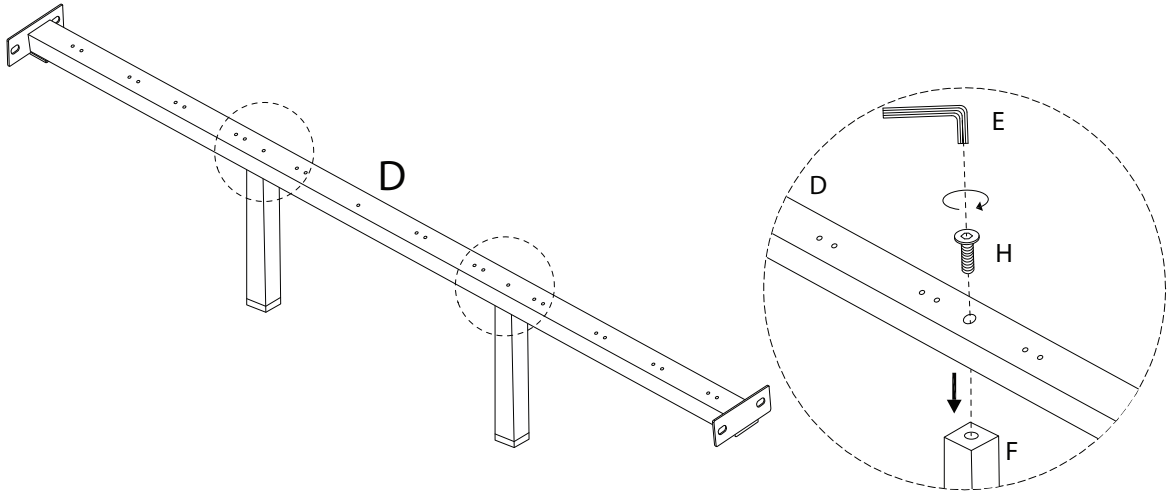
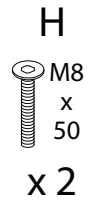
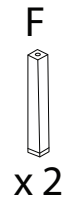
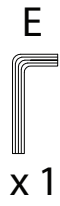
5



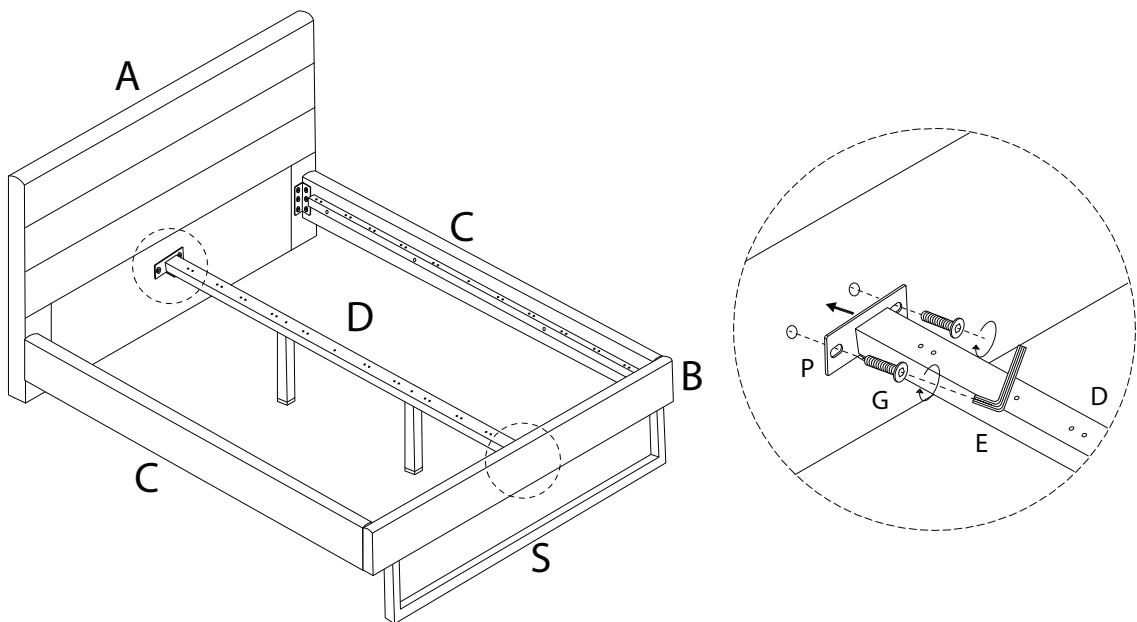
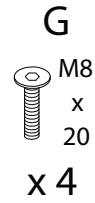
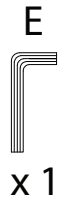
6



7



8

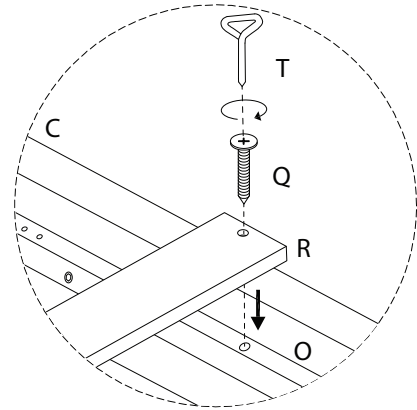
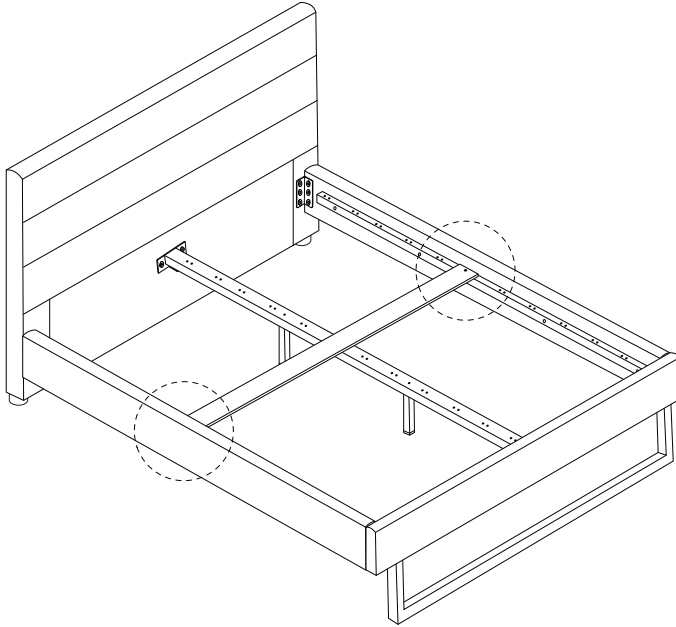


9

Q
M3.5
x
30
x2

R
x1

T
x1

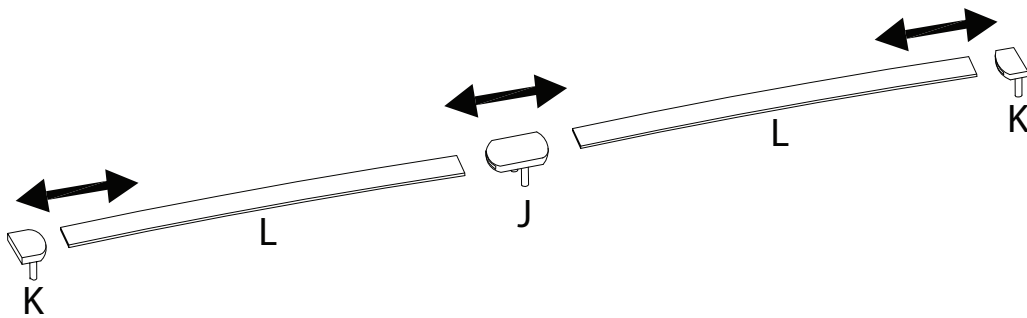


10

J
x11

K
x22

L
x22



11

