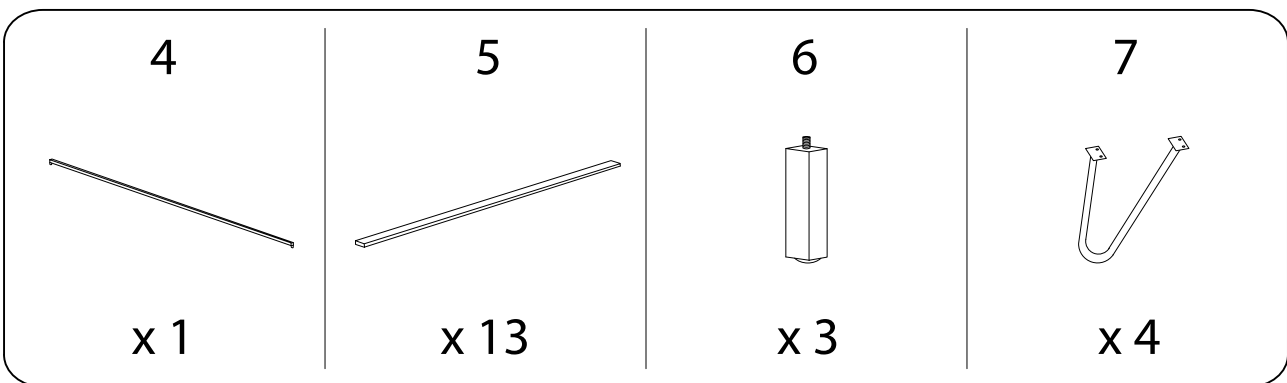
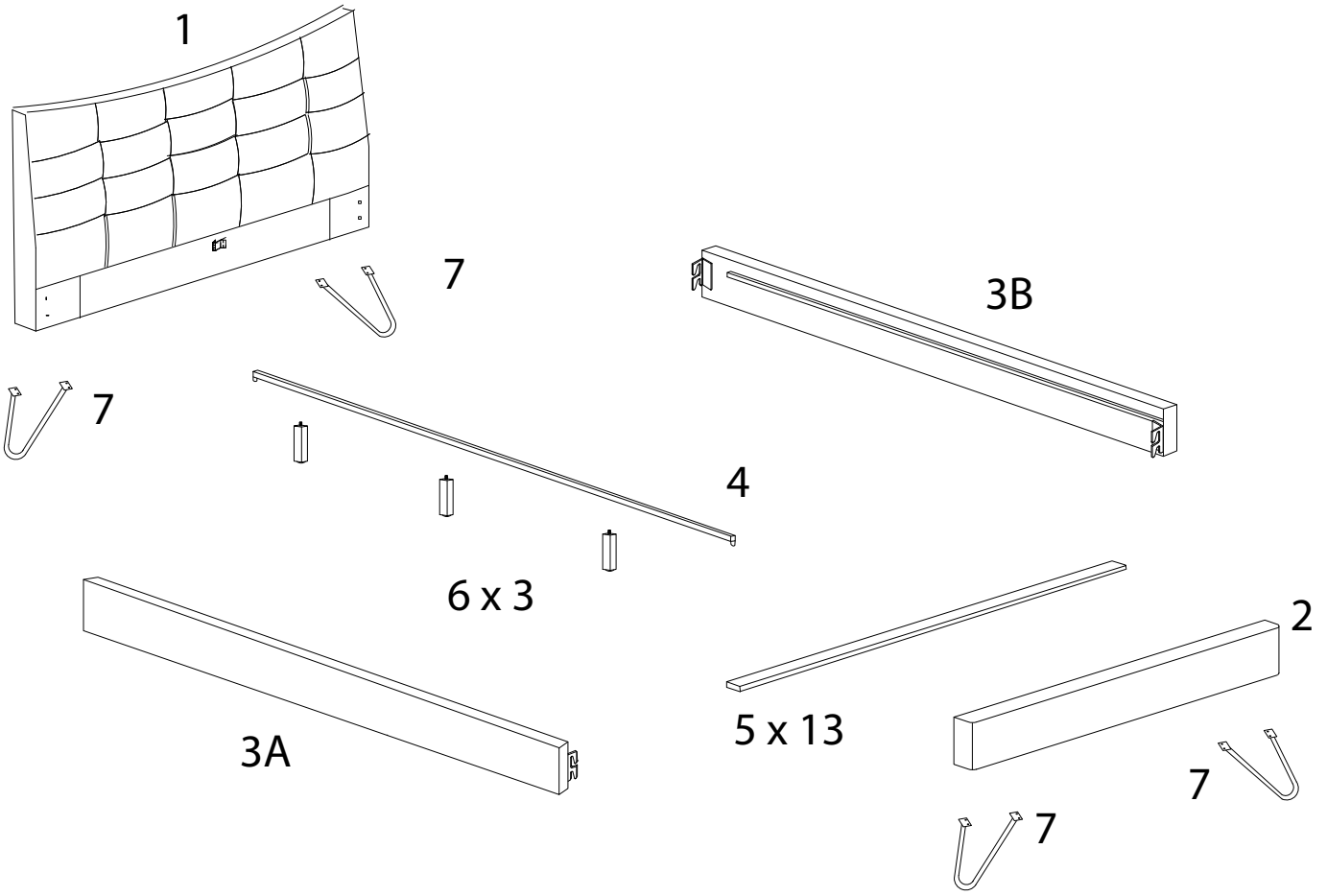
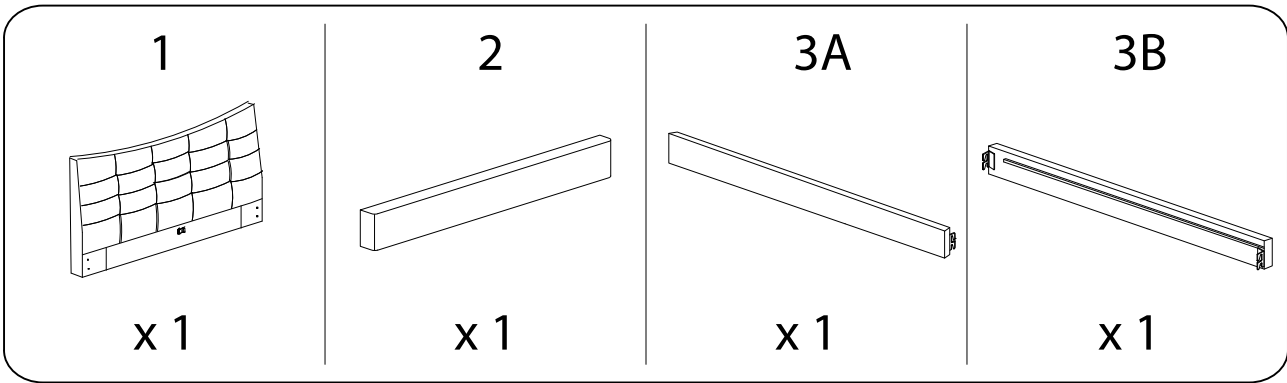
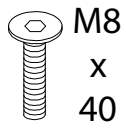

		40'
		2

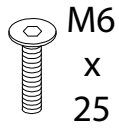


A



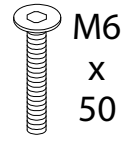
x 8

B



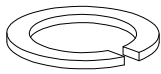
x 8

C



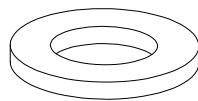
x 6

D



x 22

E



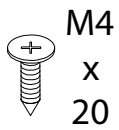
x 16

F



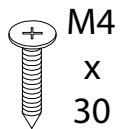
x 6

G



x 16

H



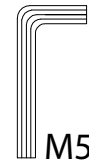
x 33

I



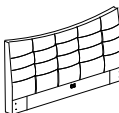






x 1

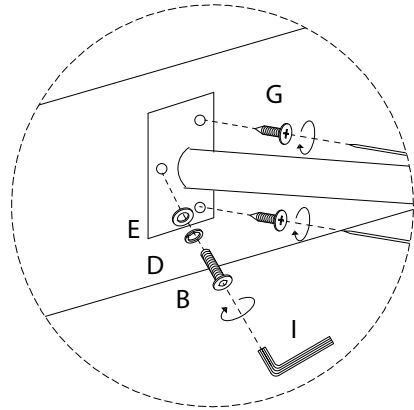
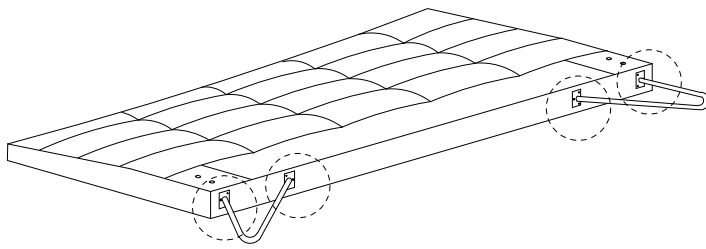
J






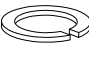



x 1

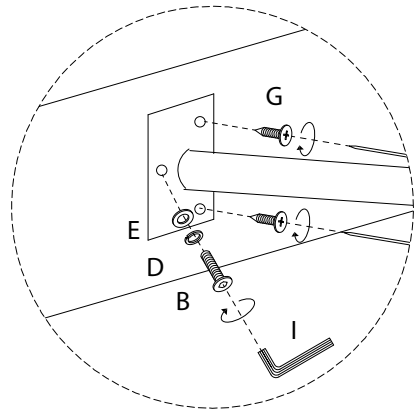
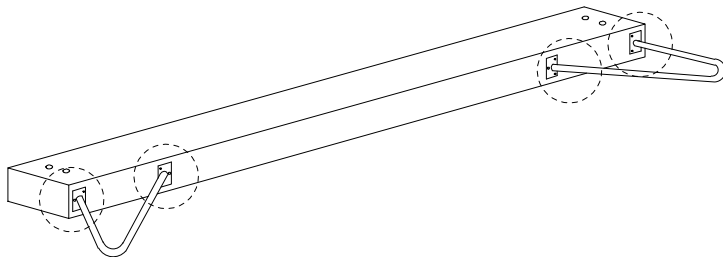
1

1  x 1	7  x 2	B M6 x 25  x 4	D  x 4	E  x 4	G M4 x 20  x 8	I M4  x 1
--	--	---	--	---	---	--

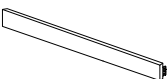


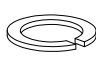




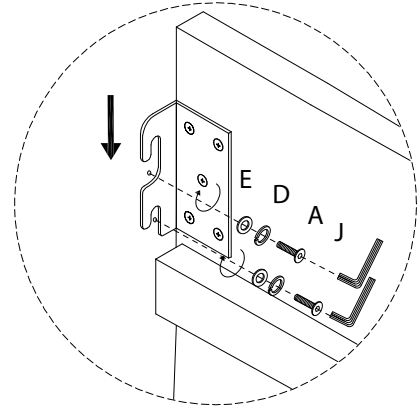
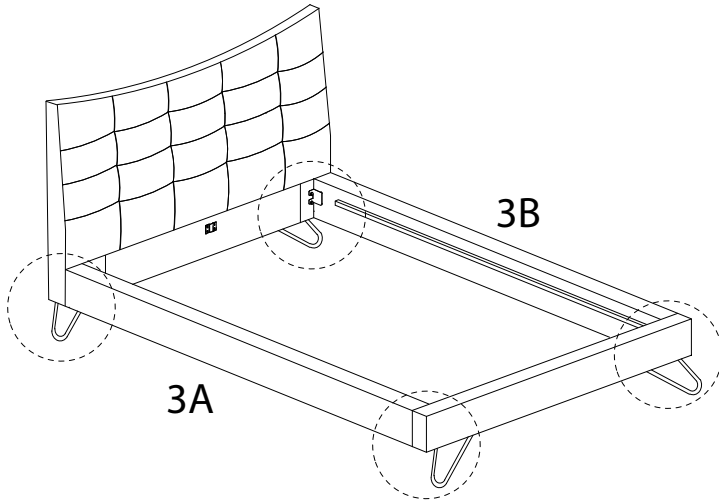
2

2  x 1	7  x 2	B M6 x 25  x 4	D  x 4	E  x 4	G M4 x 20  x 8	I M4  x 1
--	--	---	--	---	---	--





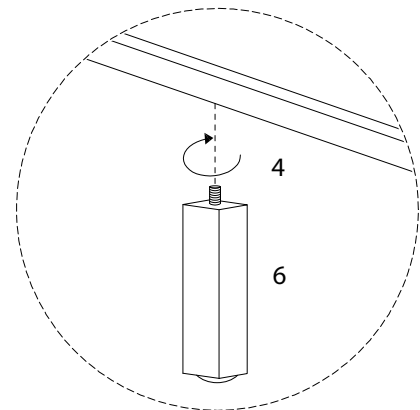
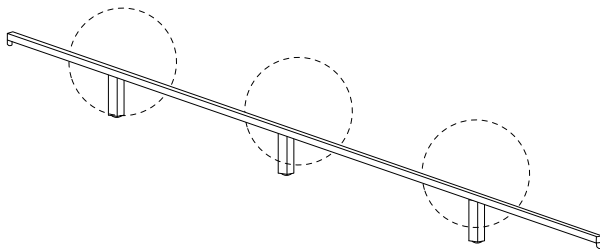
3

<p>3A</p>  <p>x 1</p>	<p>3B</p>  <p>x 1</p>	<p>A</p>  <p>M8 x 40</p> <p>x 8</p>	<p>D</p>  <p>x 8</p>	<p>E</p>  <p>x 8</p>	<p>J</p>  <p>M5</p> <p>x 1</p>
--	--	--	--	---	---

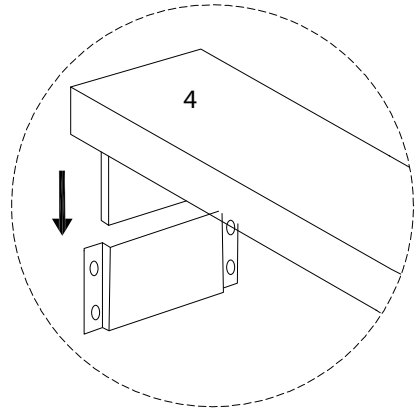
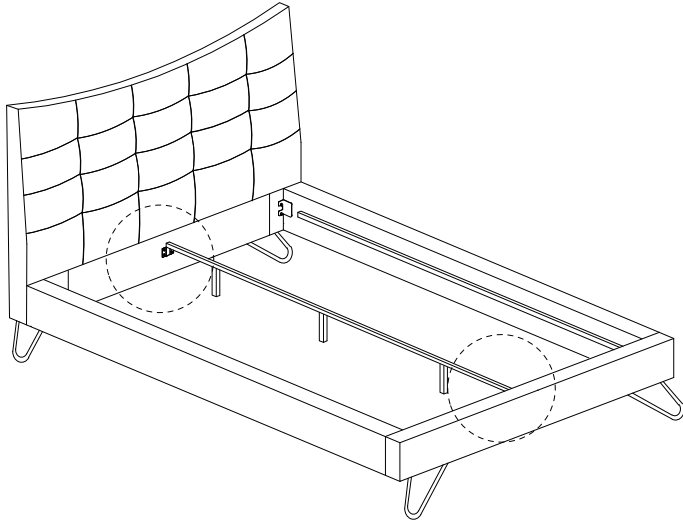


4


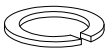

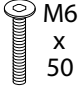

<p>4</p>  <p>x 1</p>	<p>6</p>  <p>x 3</p>
---	---

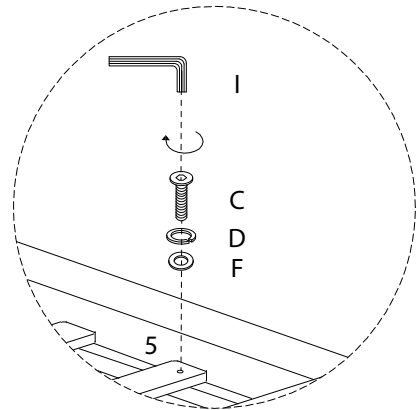
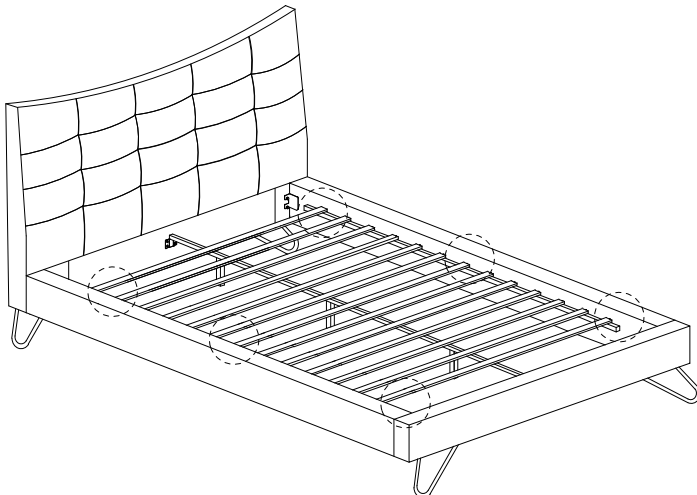


5



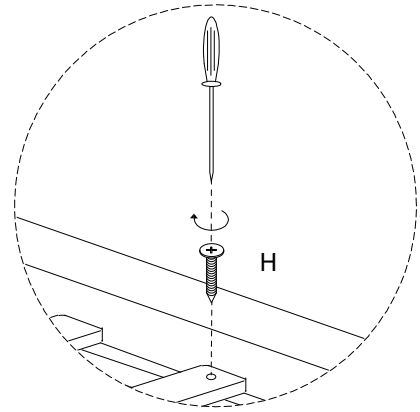
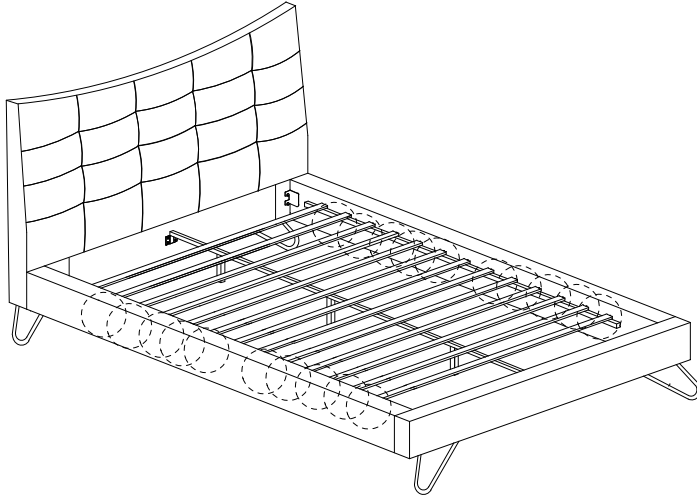
6

<p>5</p>  <p>x 13</p>	<p>D</p>  <p>x 6</p>	<p>F</p>  <p>x 6</p>	<p>C</p>  <p>M6 x 50</p> <p>x 6</p>	<p>I</p>  <p>M4</p> <p>x 1</p>
--	---	---	--	---



7

H
M4
x
30
x 20



8 x 13

H
M4
x
30
x 1

