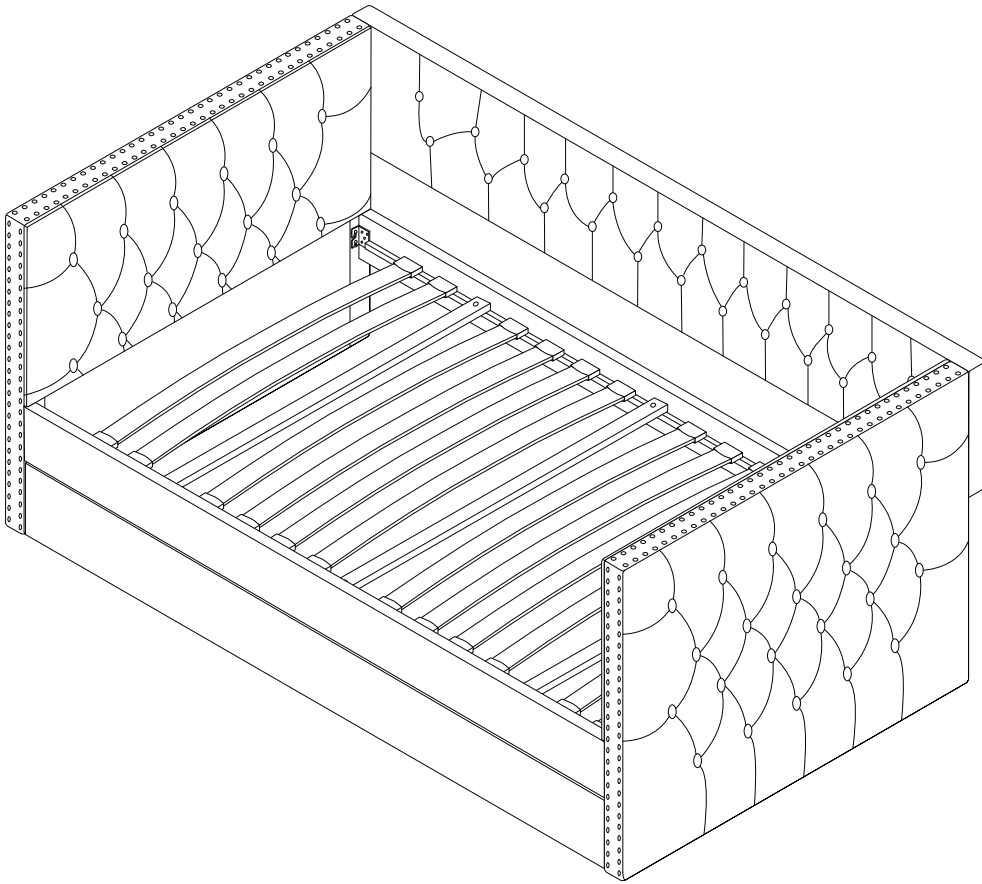
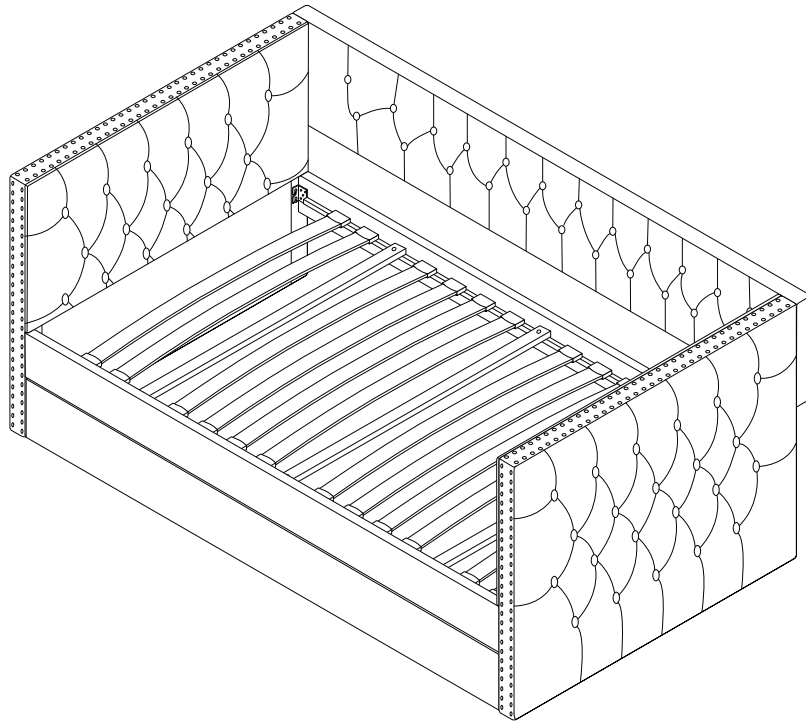
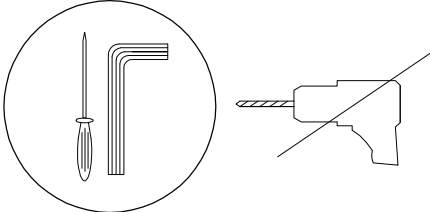

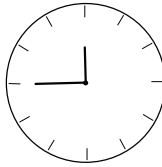
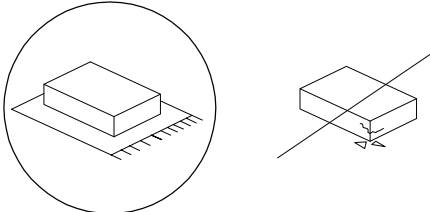
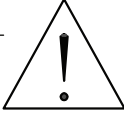

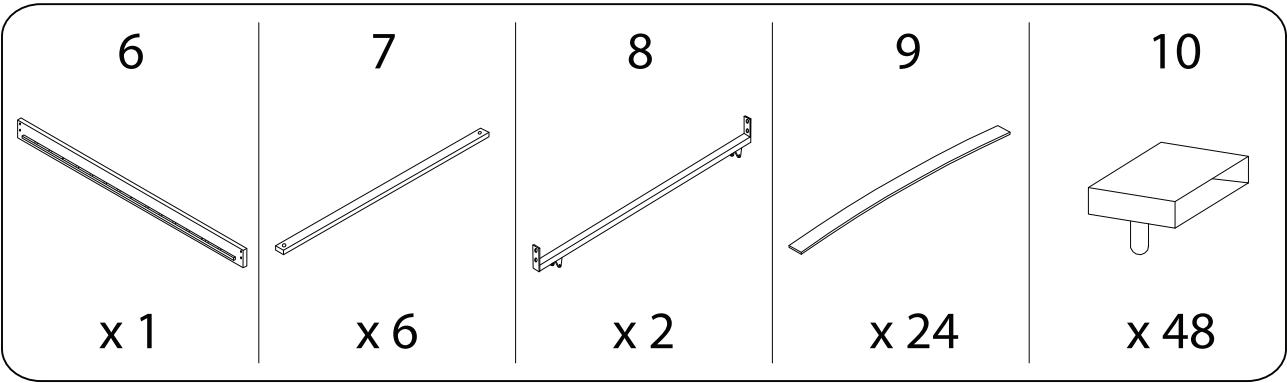
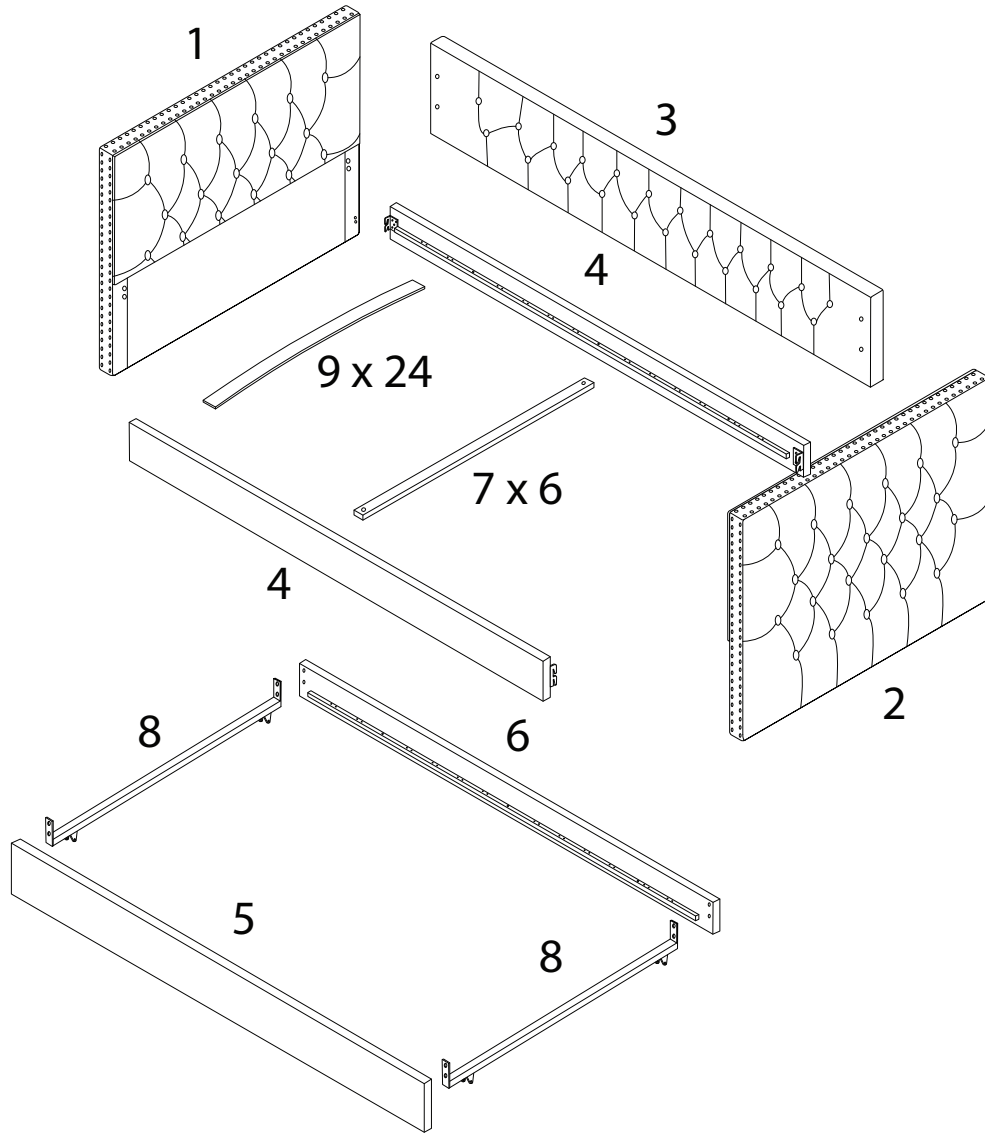
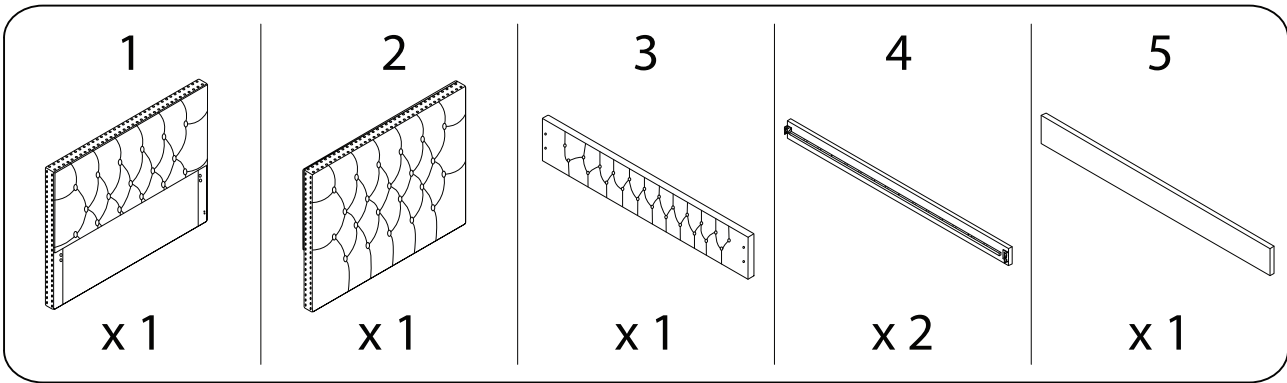


GASSIN

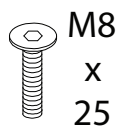




		
		45'
		
		2

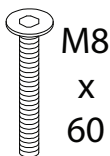


A



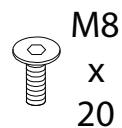
x 20

B



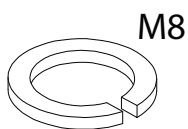
x 4

C



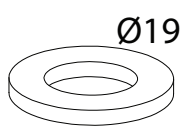
x 8

D



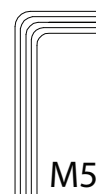
x 20

E



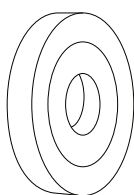
x 32

F



x 1

G



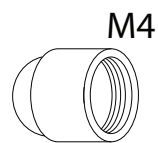
x 4

H



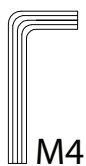
x 4

I



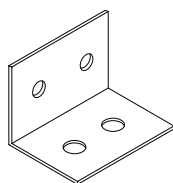
x 4

J



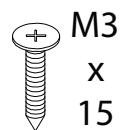
x 1

K



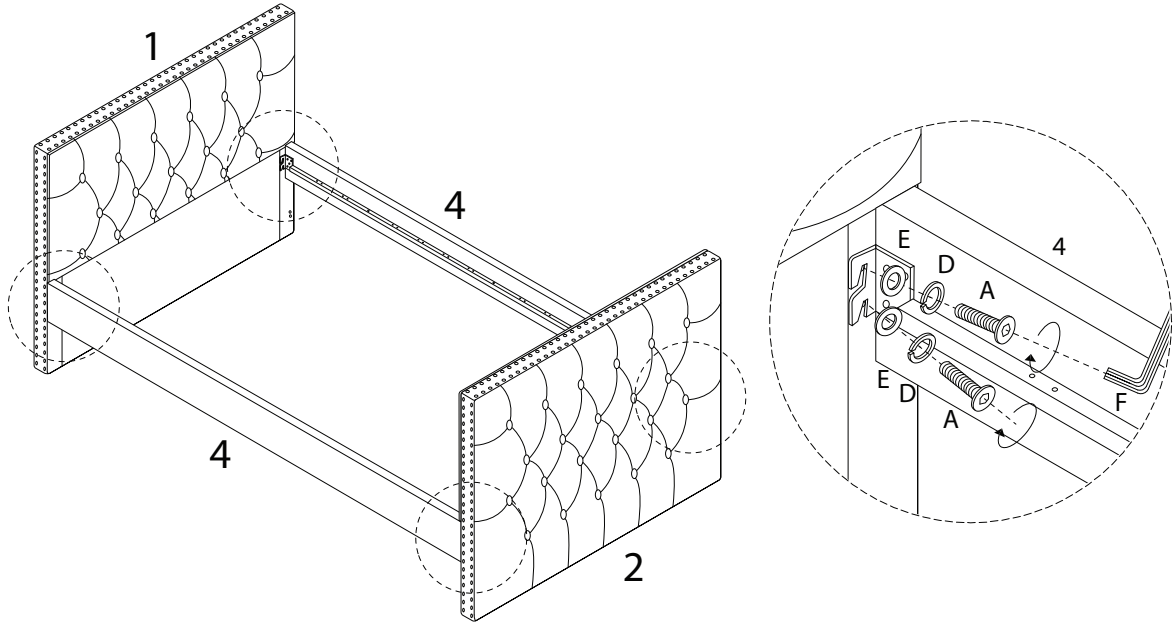
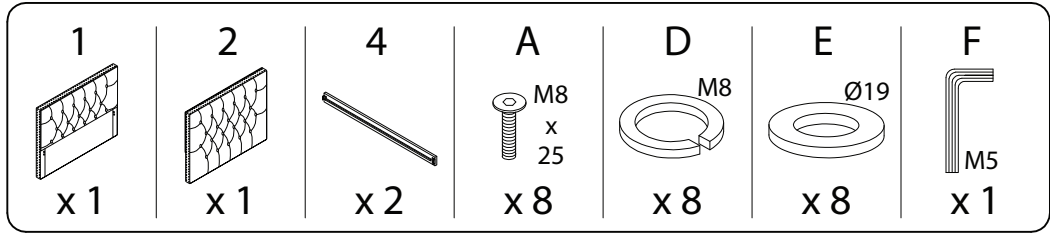
x 2

L

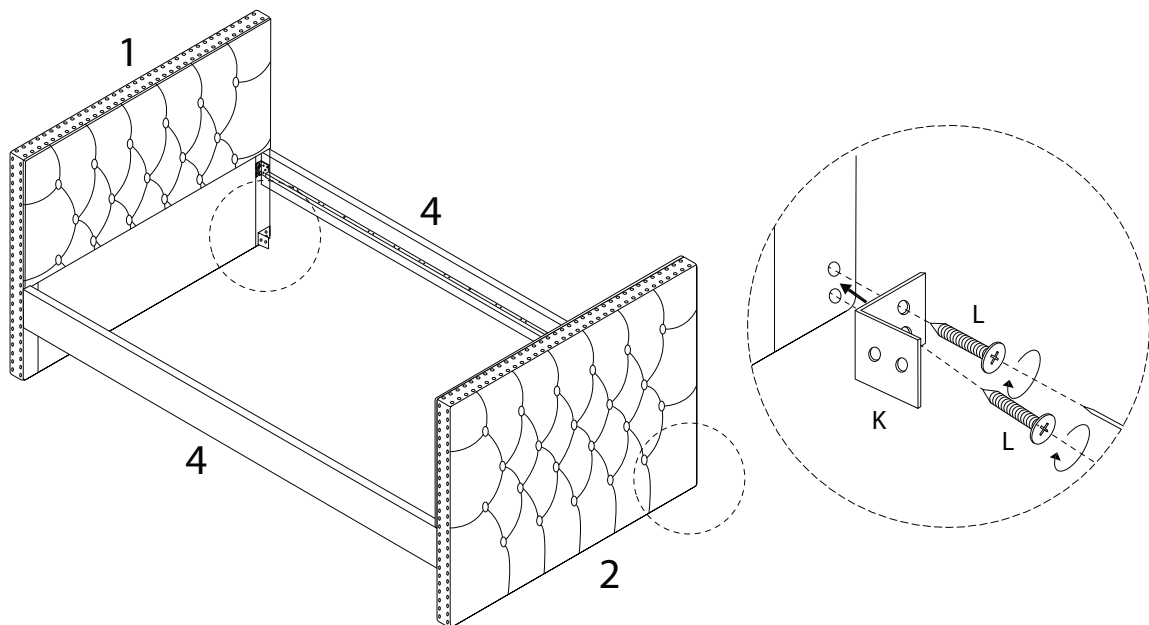
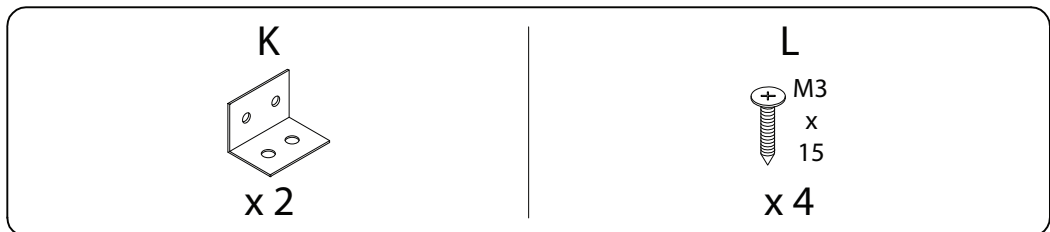


x 4

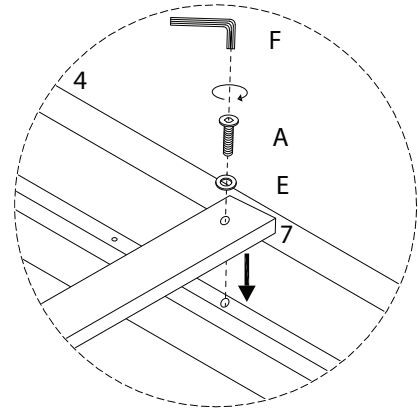
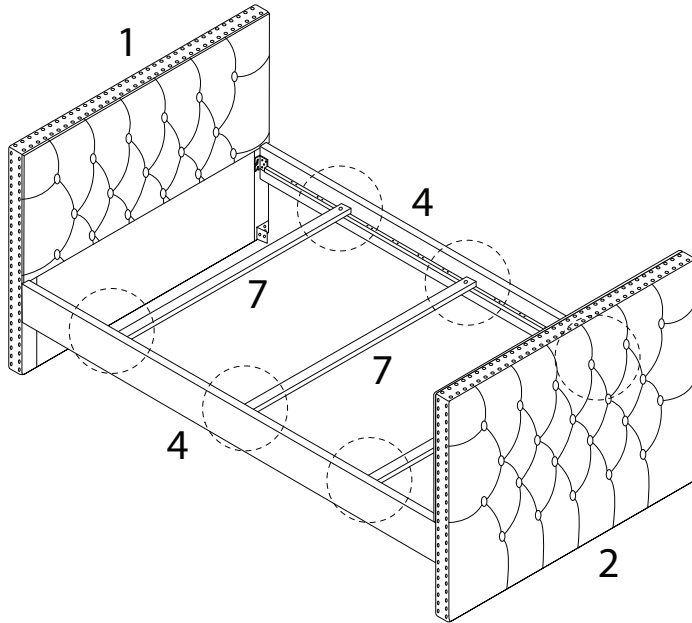
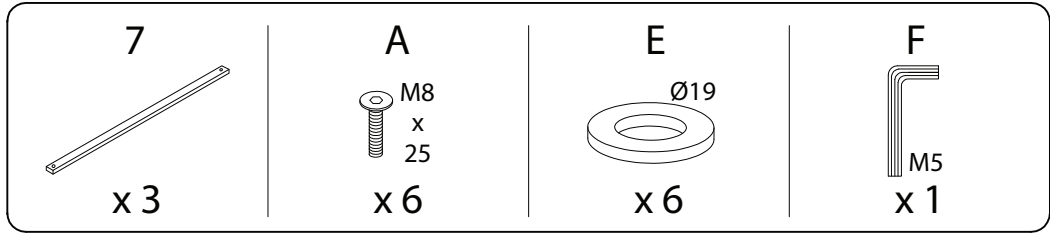
1



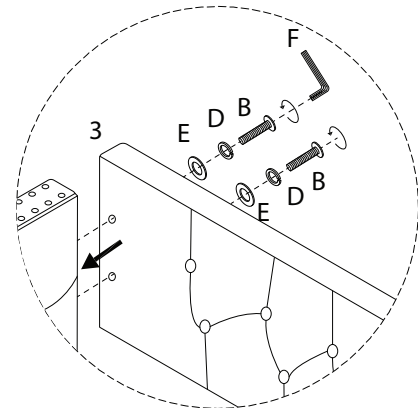
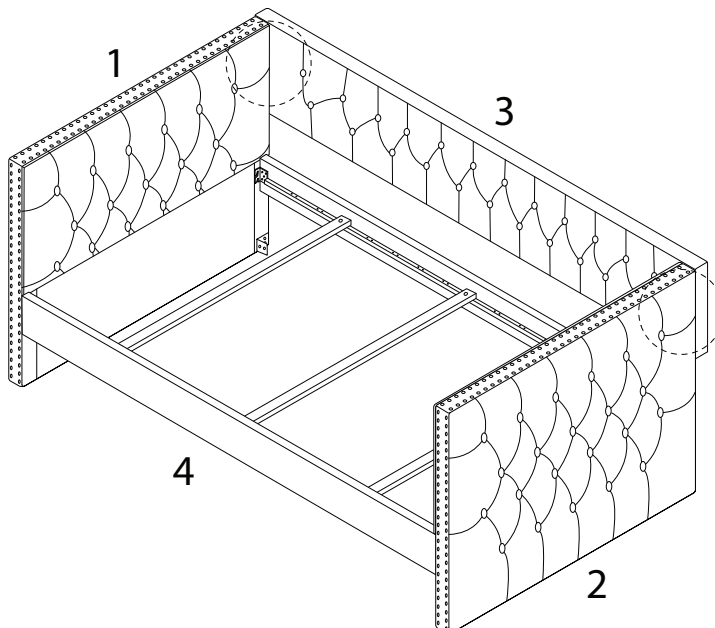
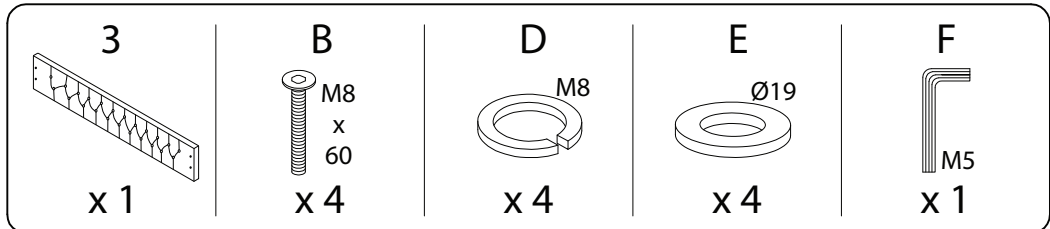
2



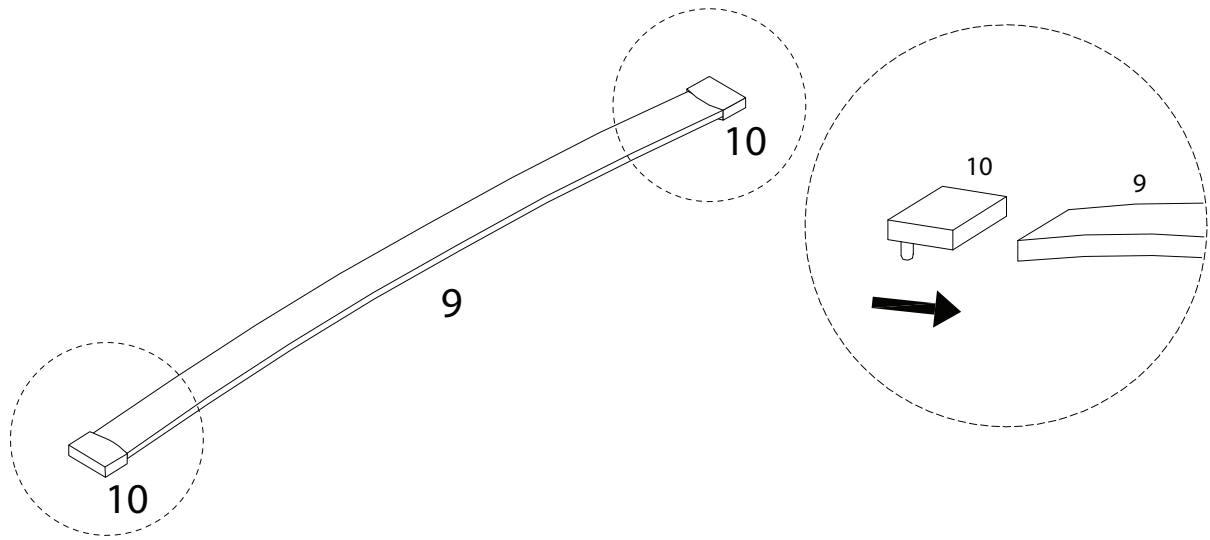
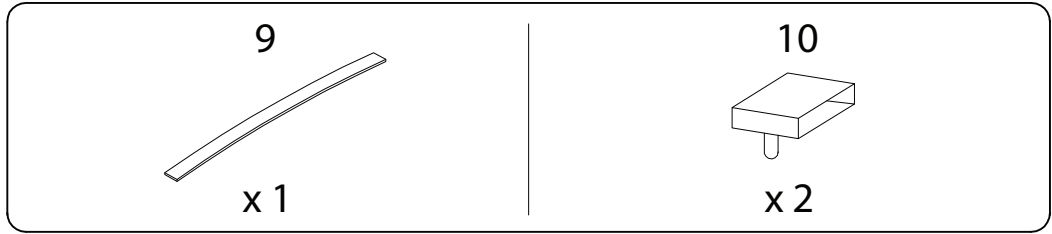
3



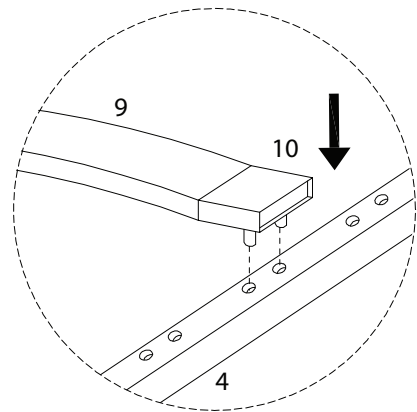
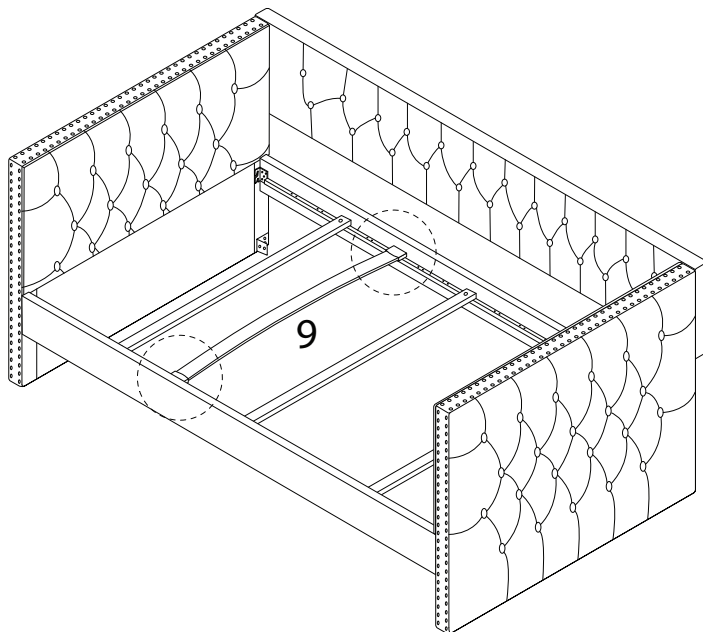
4



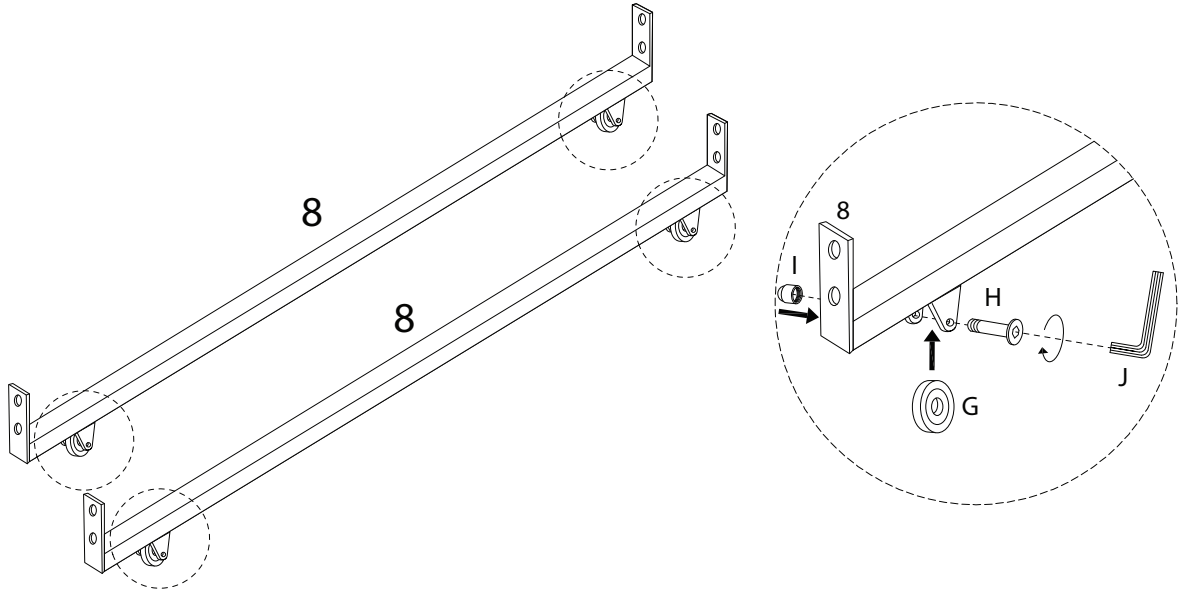
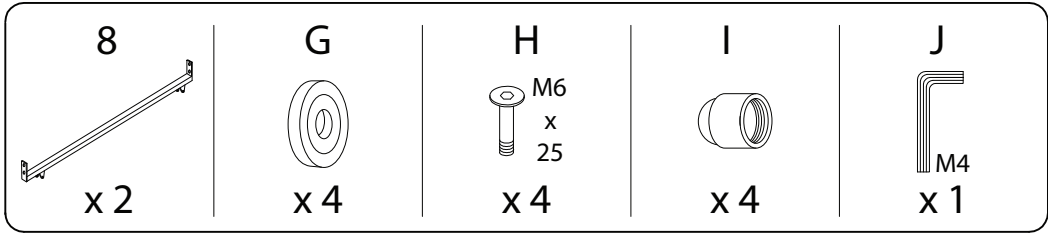
5 x 24



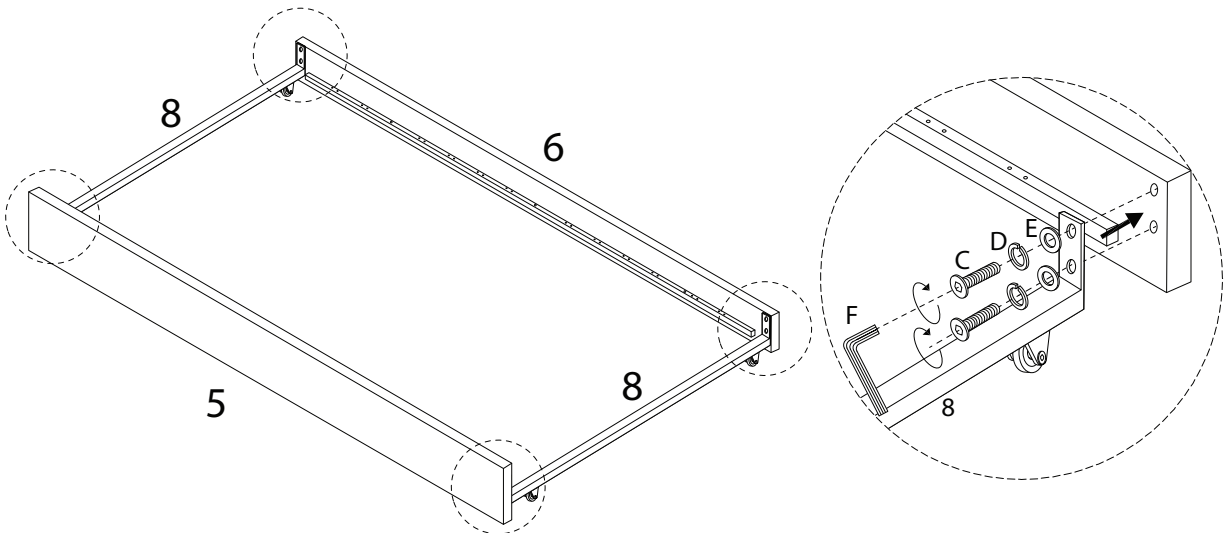
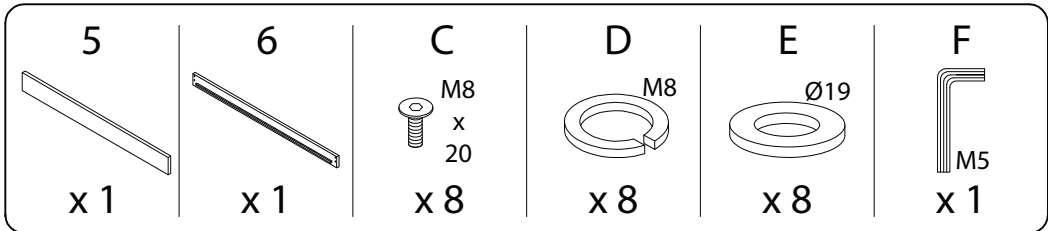
6 x 12



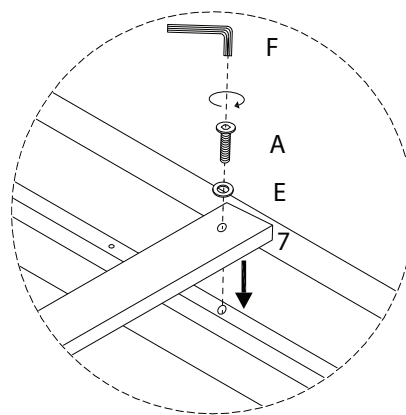
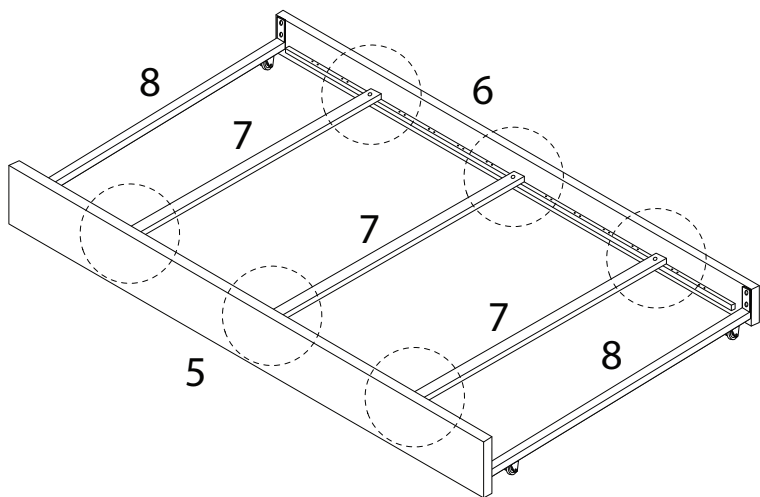
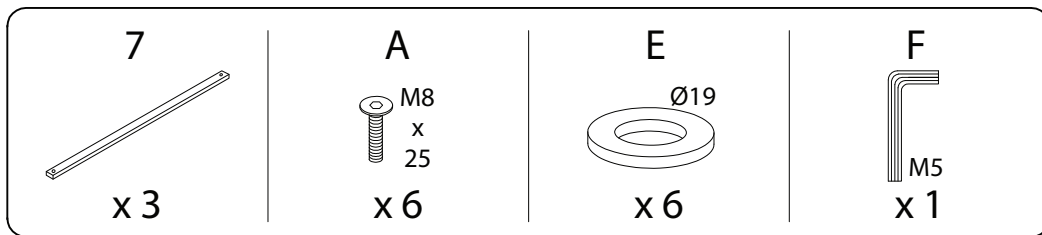
7



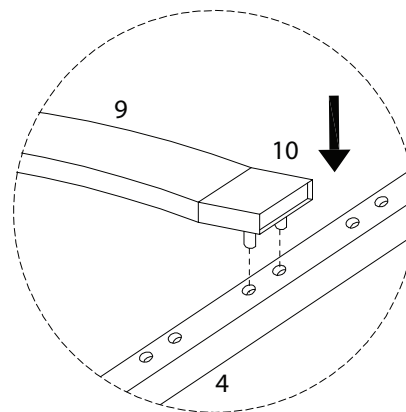
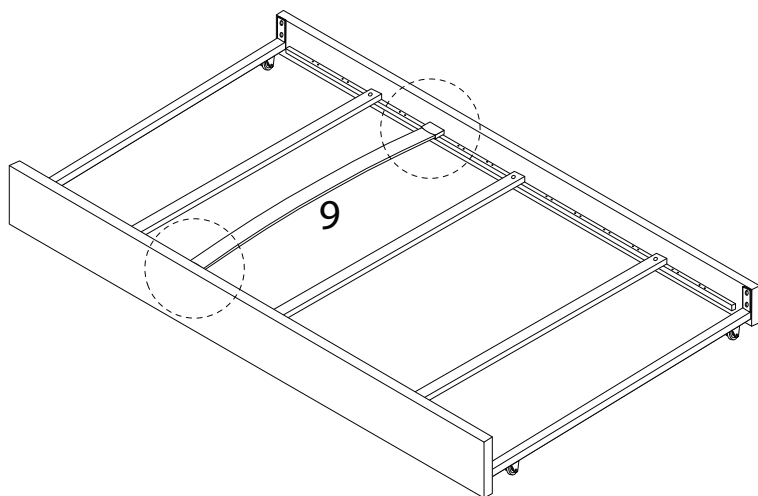
8



9



10 x 12



11

