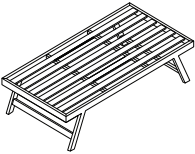
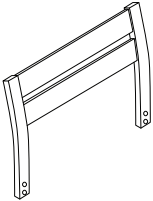
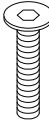
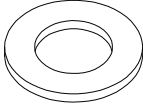
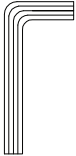
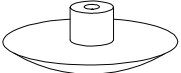
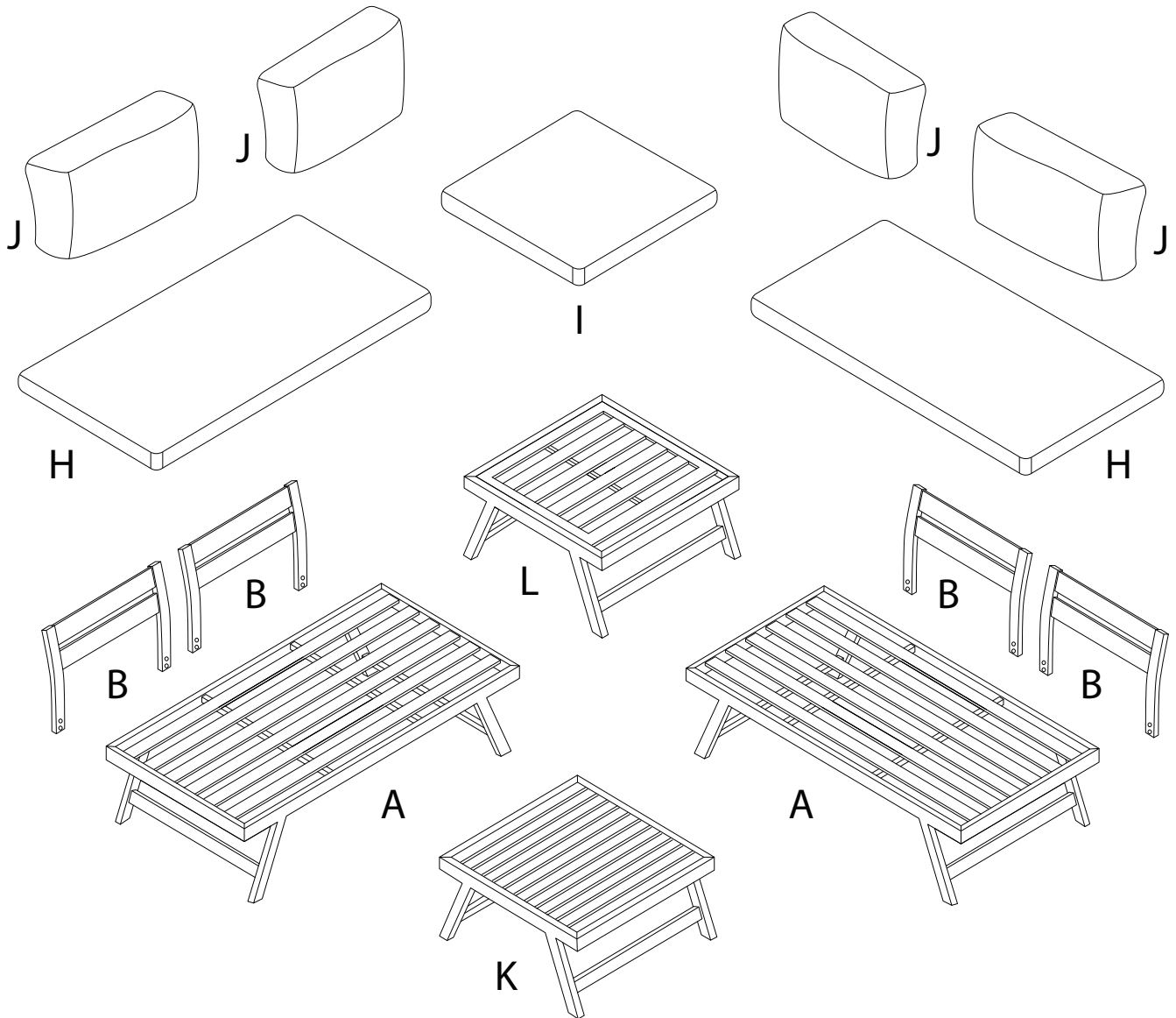
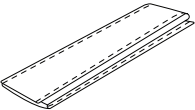
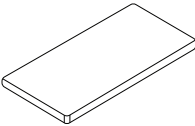
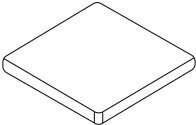
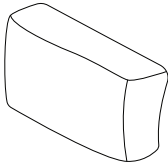
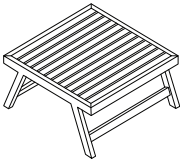
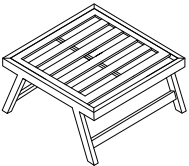


Assembly instructions for step 1/6:

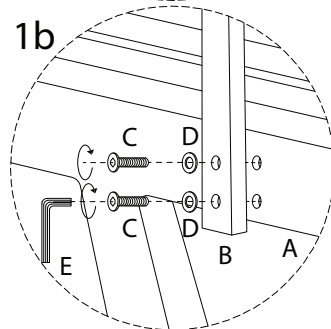
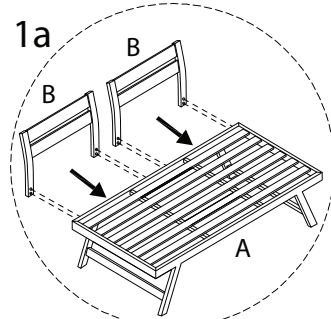
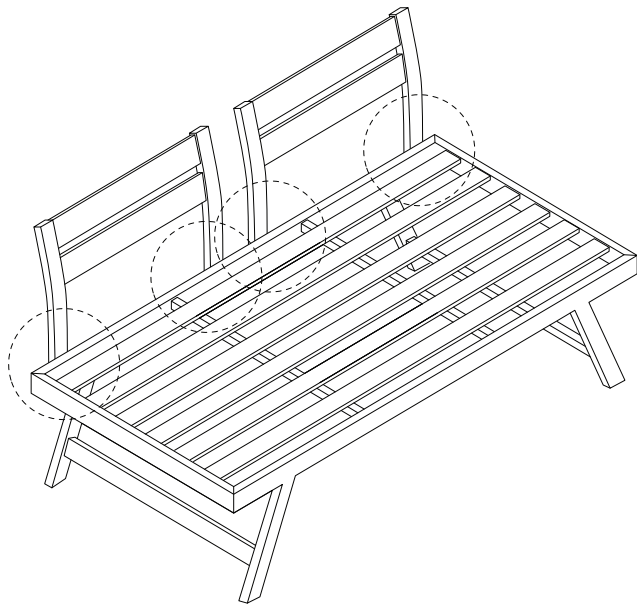
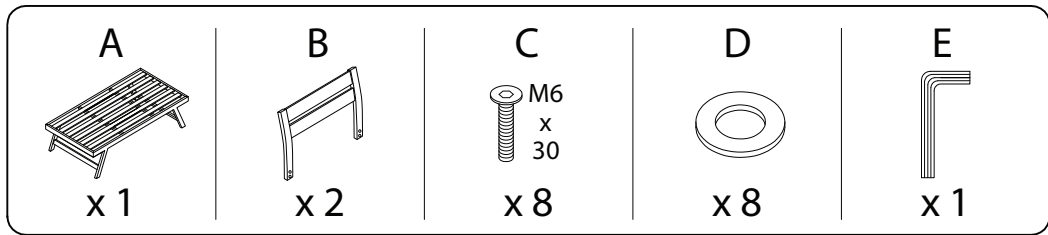
- Warning:** Do not use a power drill. Use an Allen key (shown in a circle) to tighten the corner brackets.
- Warning:** Do not place the sofa on uneven ground. Use the provided leveling feet (shown in a circle) to ensure stability.
- Time:** 30 minutes.
- Personnel:** 2 people.

A	B	C	D	E	F
		 M6 x 30			
x 2	x 4	x 16	x 16	x 1	x 16

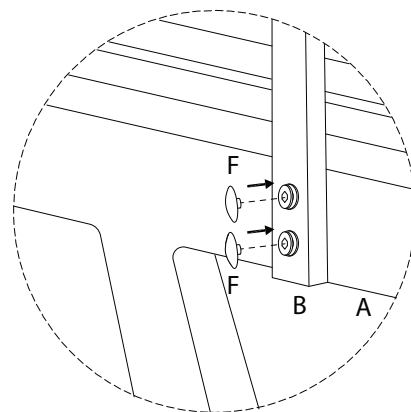
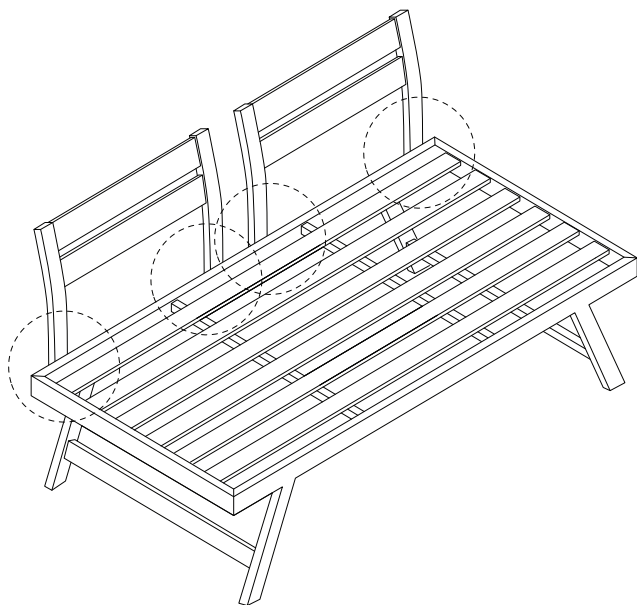
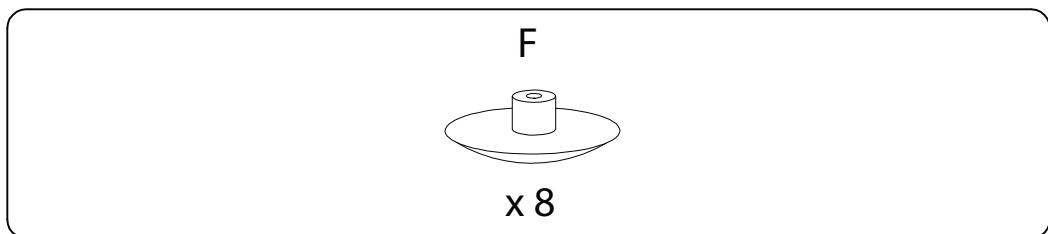


G	H	I	J	K	L
					
x 4	x 2	x 1	x 4	x 1	x 1

1 x 2

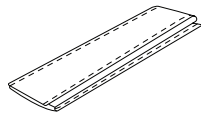


2 x 2



3

G

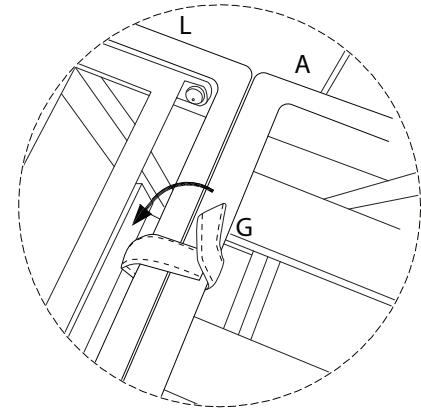
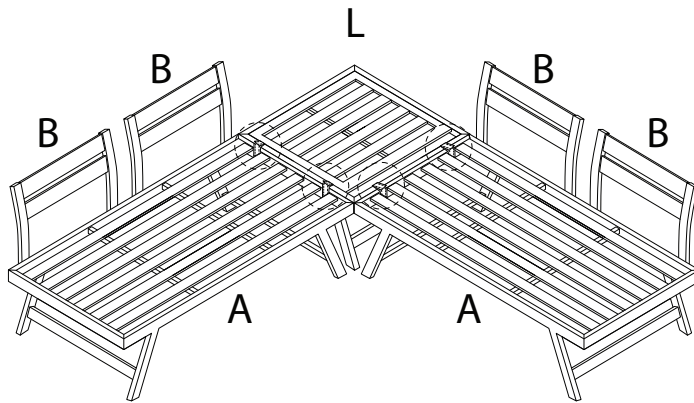


x 4

L

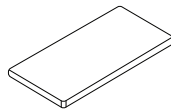


x 1



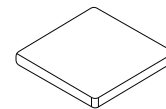
4

H

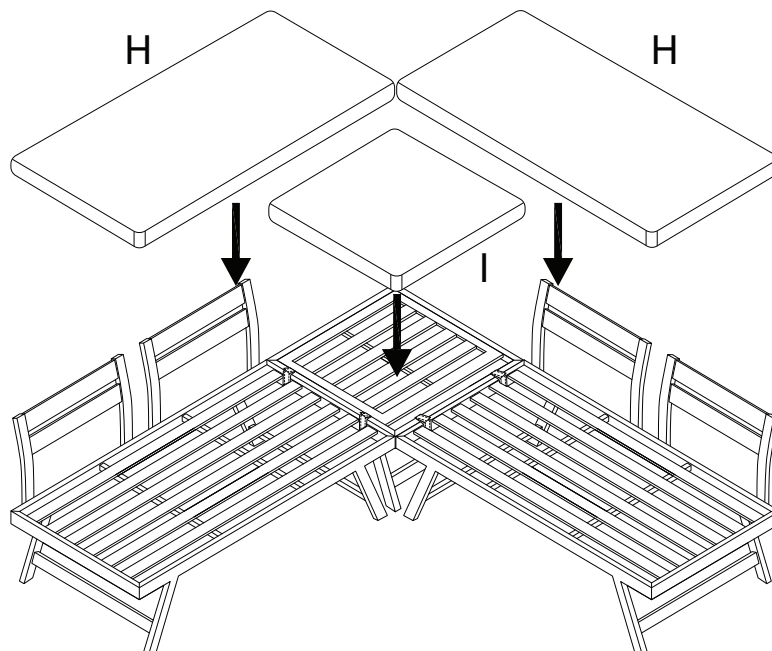


x 2

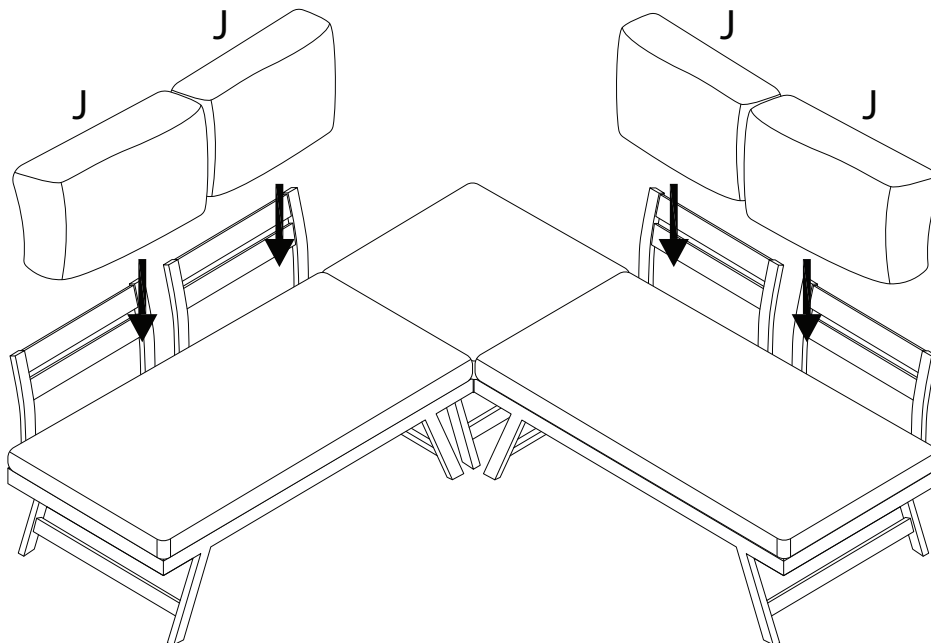
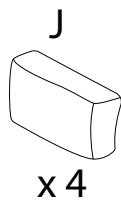
I



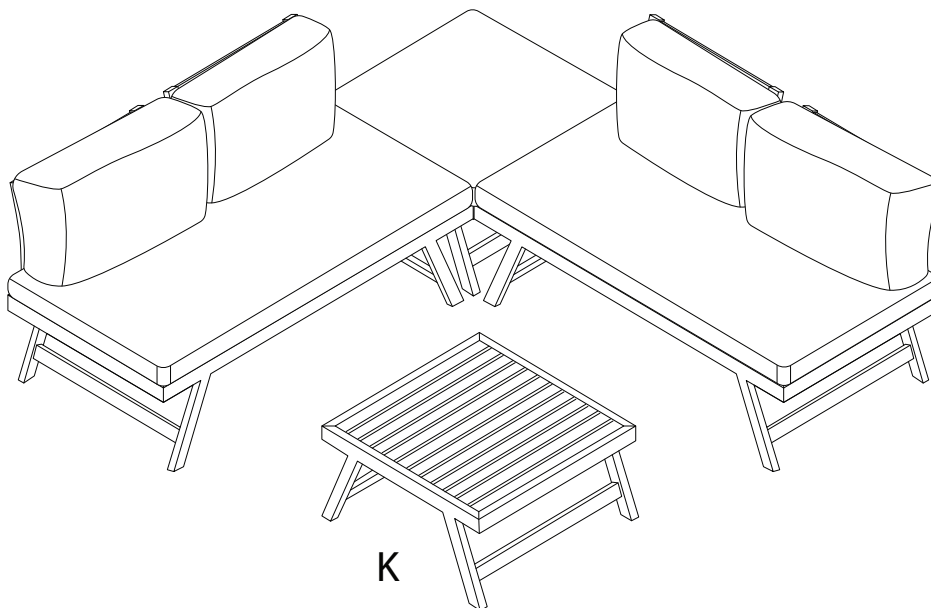
x 1



5



6



!

