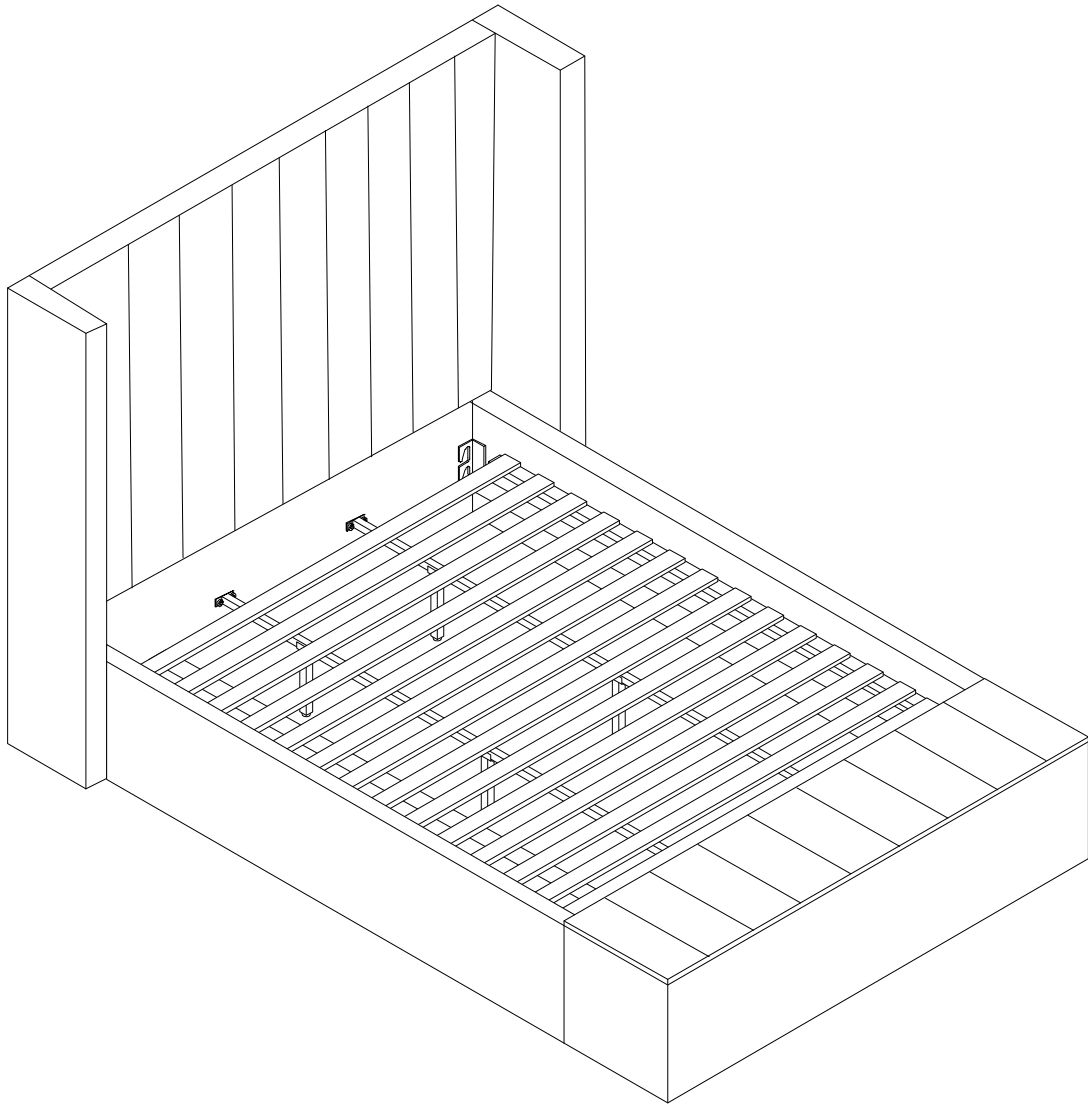


NOYERS



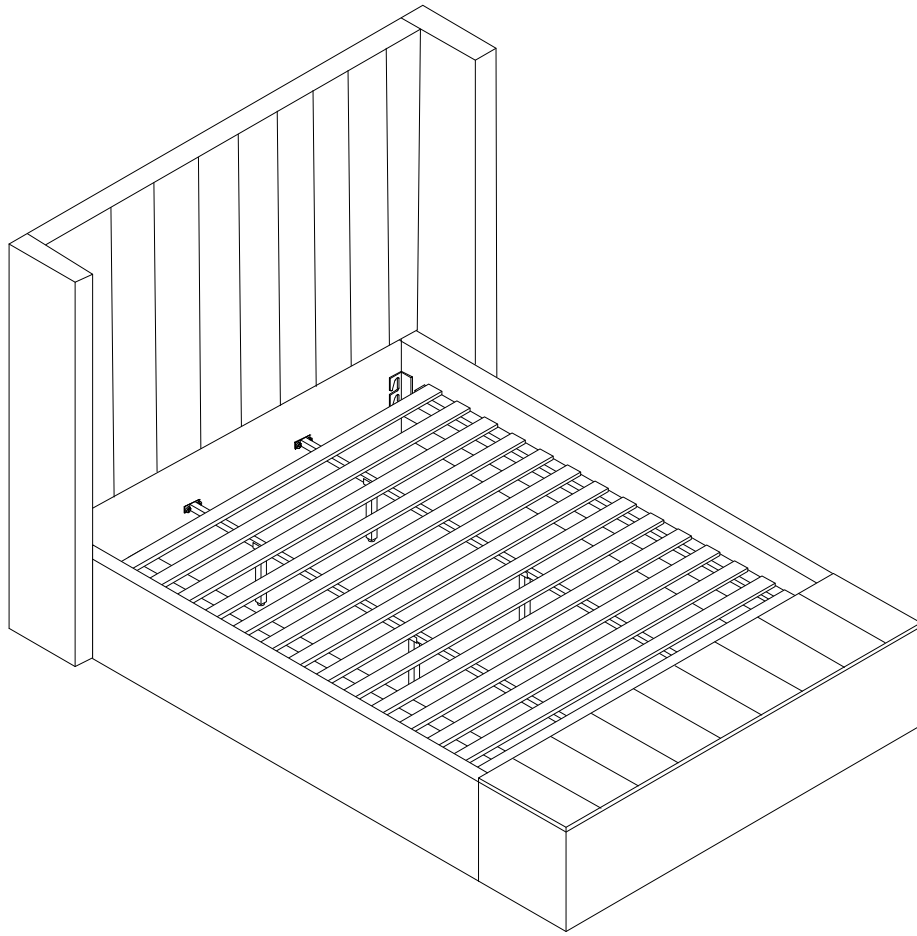
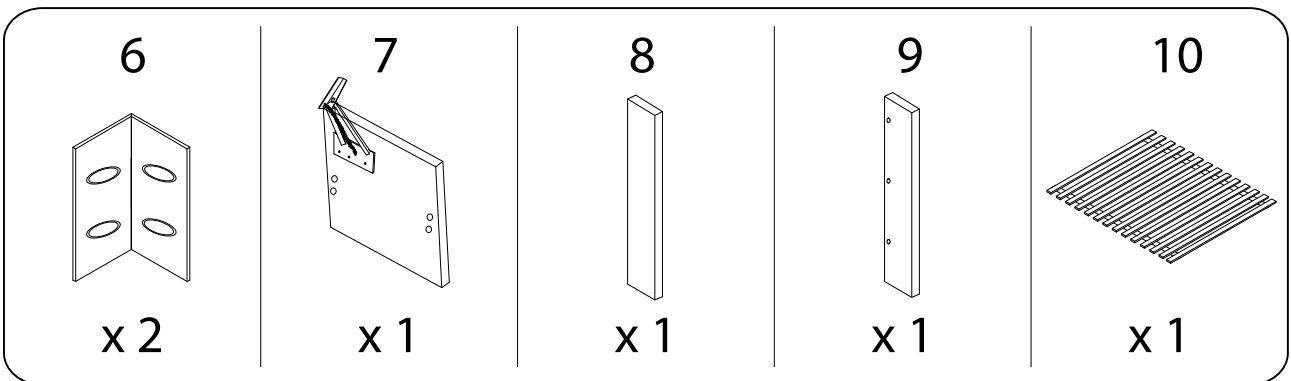
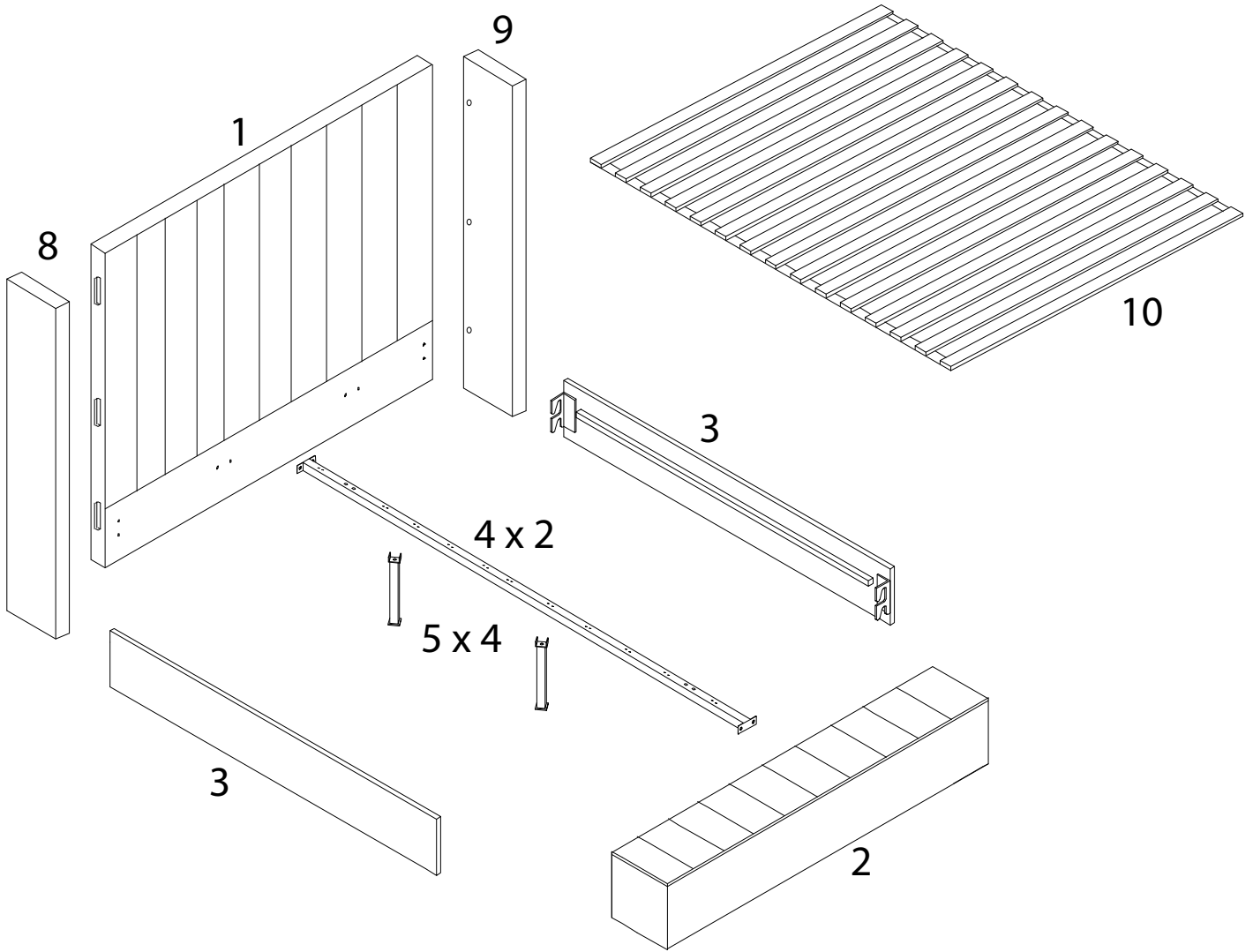
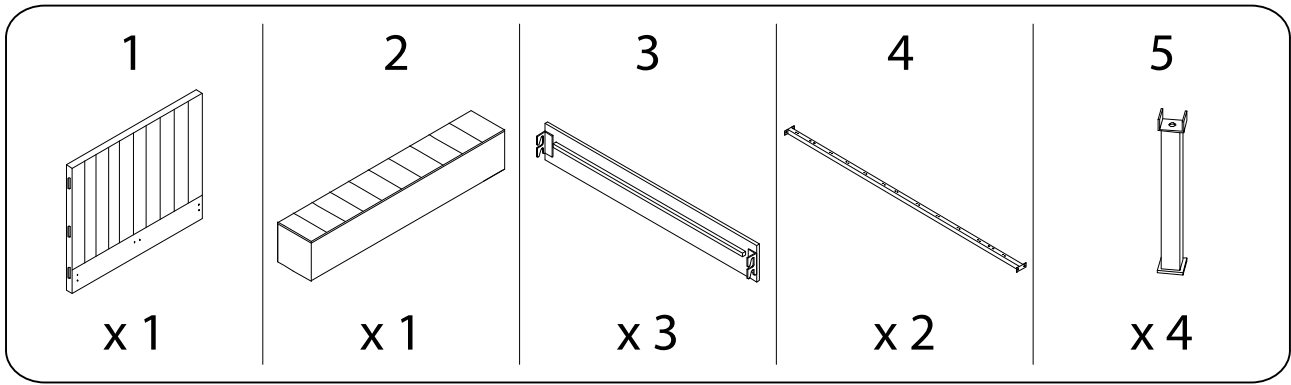
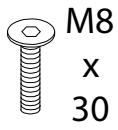


Diagram illustrating assembly steps and safety warnings:

- Step 1:** Shows an L-shaped metal bracket being inserted into a hole in the frame. A power drill is shown with a diagonal line through it, indicating that a power drill should not be used for this step.
- Warning 1:** A triangle with an exclamation mark, indicating a safety warning.
- Time:** A clock icon with the text "40'", indicating a 40-minute assembly time.
- Step 2:** Shows a rectangular block being placed on a surface. A power drill is shown with a diagonal line through it, indicating that a power drill should not be used for this step.
- Warning 2:** A triangle with an exclamation mark, indicating a safety warning.
- Personnel:** A person icon with the text "2", indicating that two people are required for assembly.

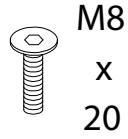


A



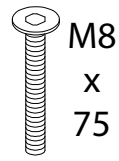
x 12

B



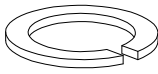
x 10

C



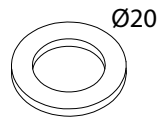
x 6

D



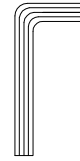
x 8

E



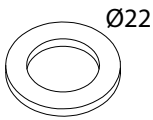
x 22

F



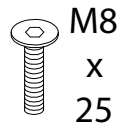
x 1

G



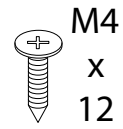
x 6

H





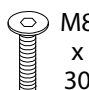

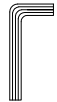
x 8

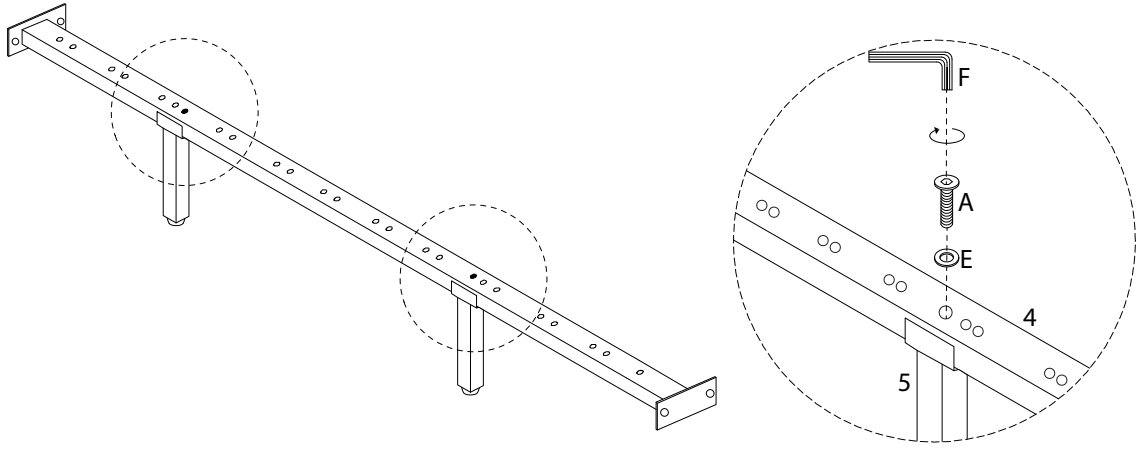
I




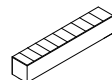

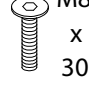

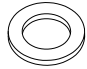
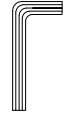
x 6

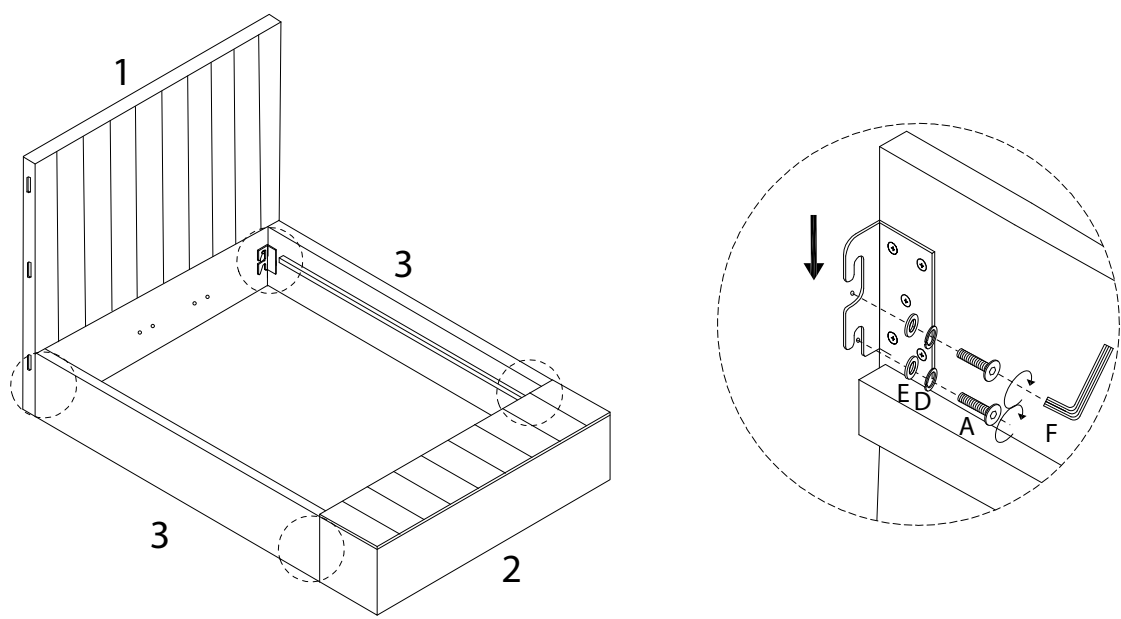
1 x 2

4  x 1	5  x 2	A  x 2	E  x 2	F  x 1
--	--	--	--	--

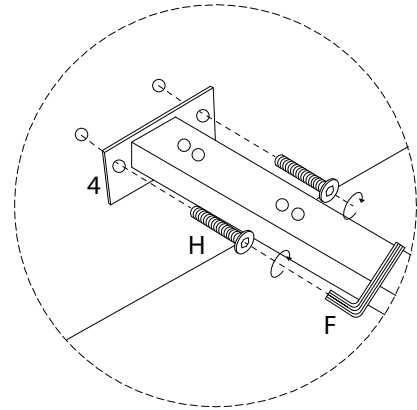
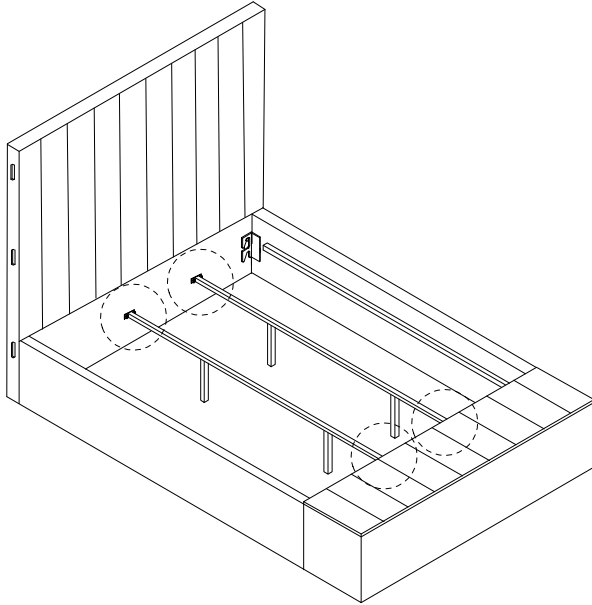
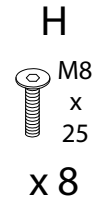
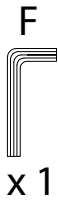


2

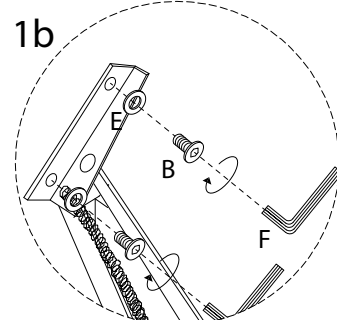
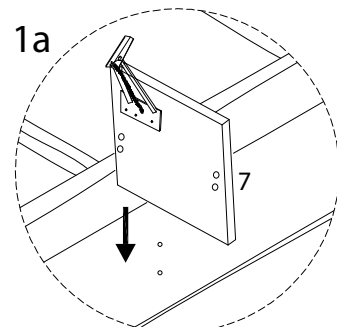
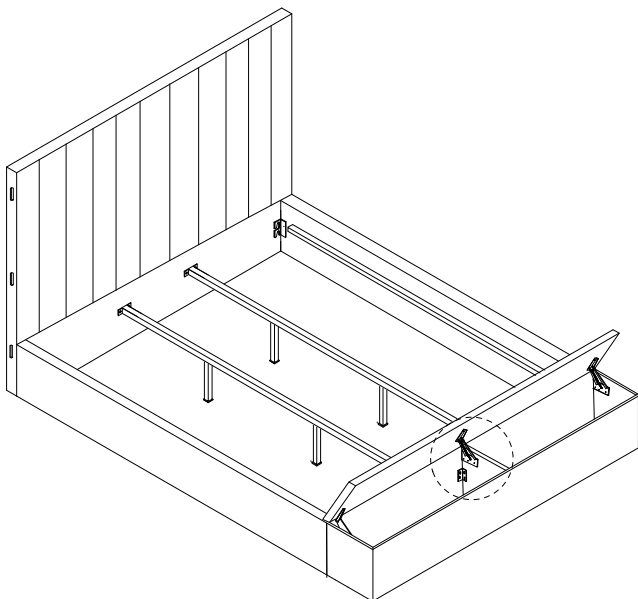
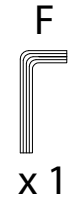
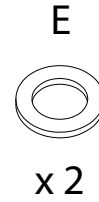
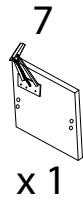
1  x 1	2  x 1	3  x 2	A  x 8	D  x 8	E  x 8	F  x 1
--	--	--	--	---	--	--



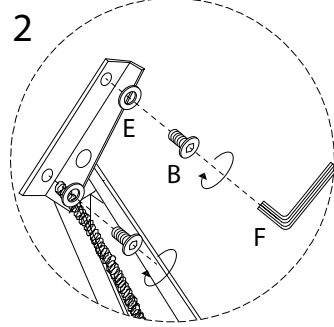
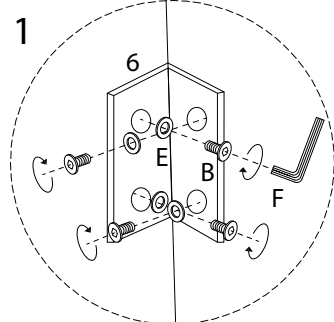
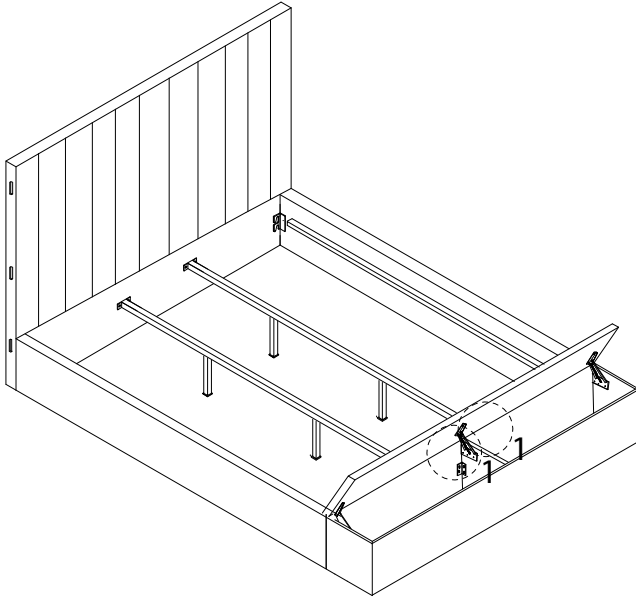
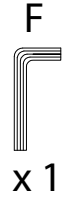
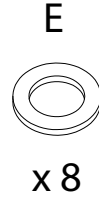
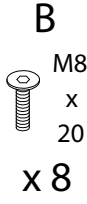
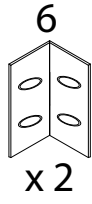
3



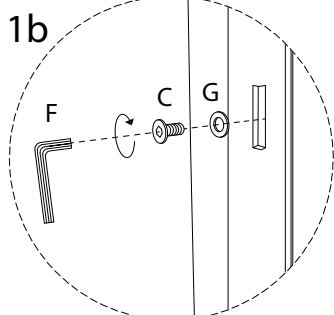
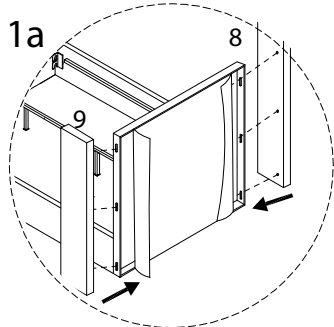
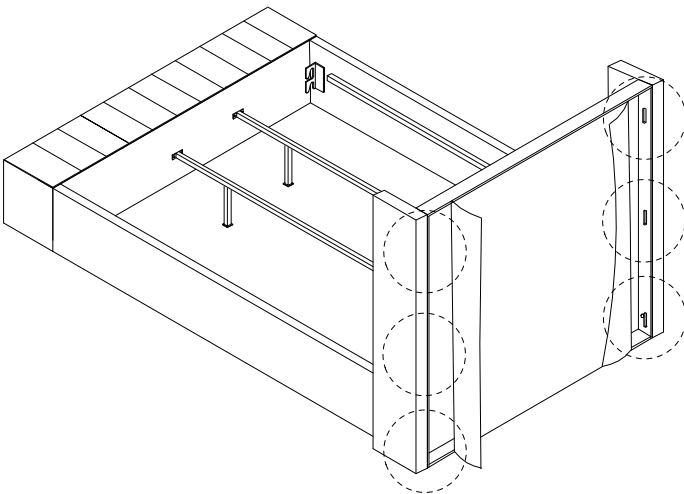
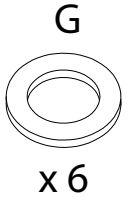
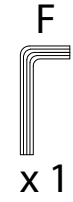
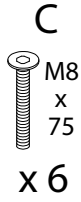
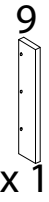
4



5

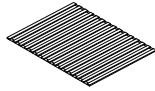


6



7

10



x 1

K



x 6

