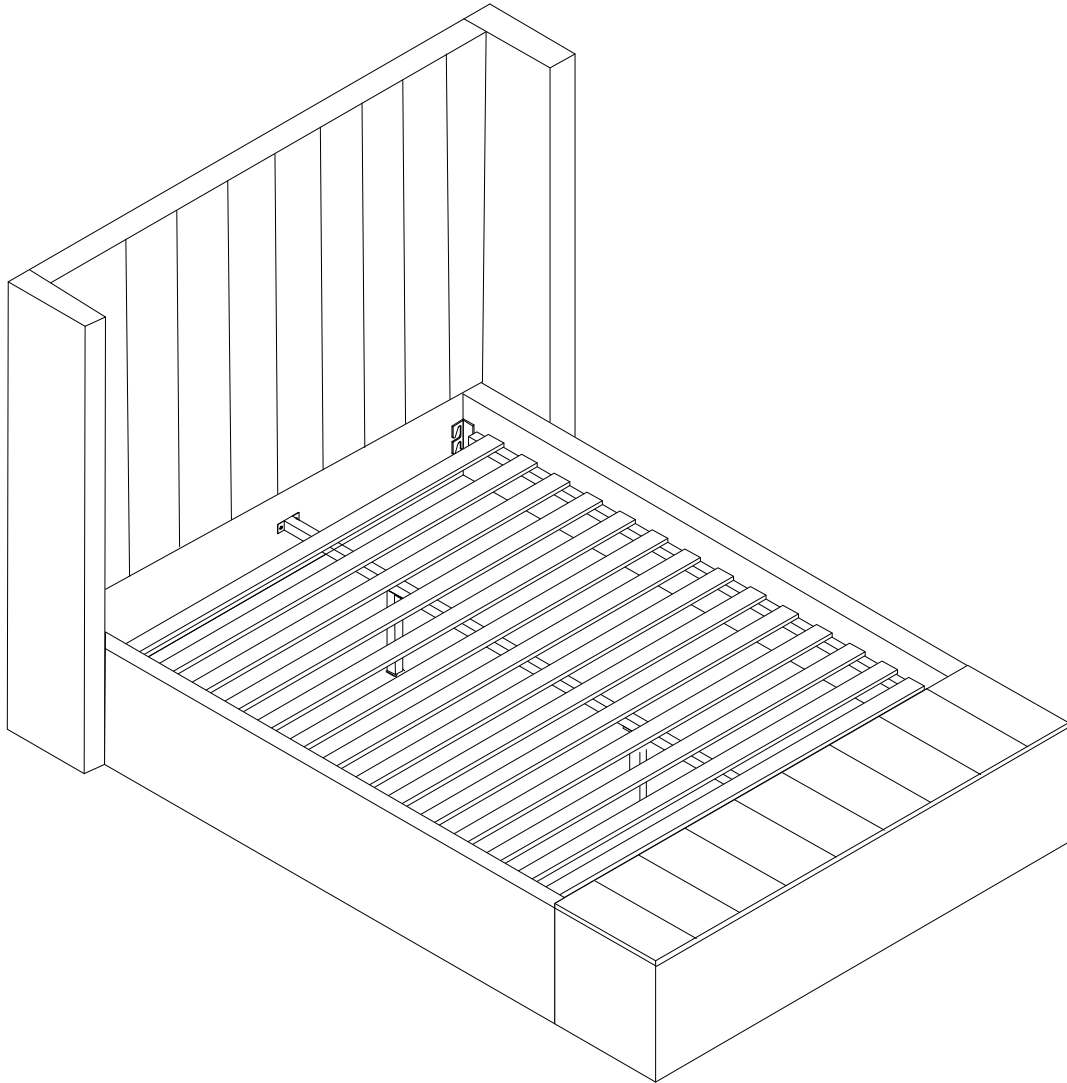
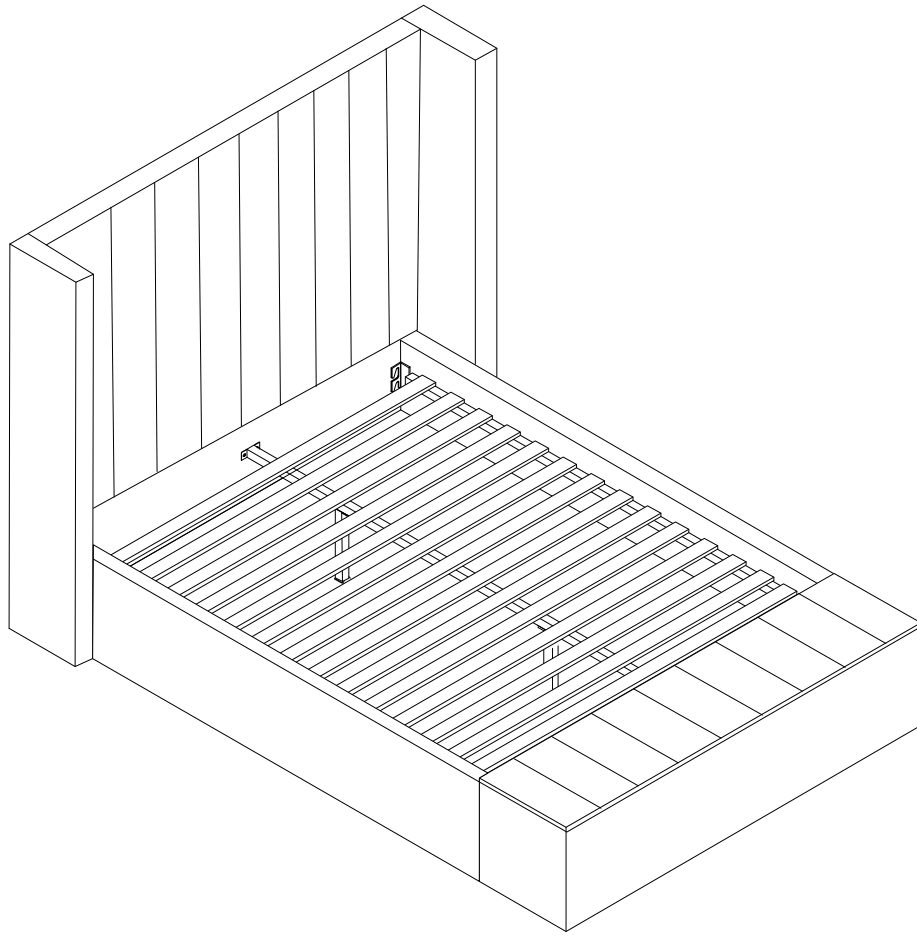
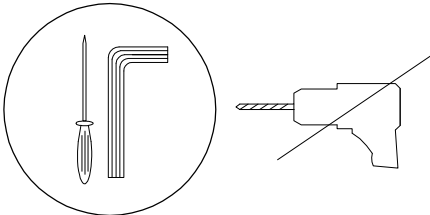
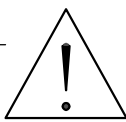
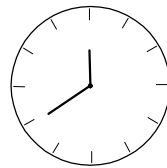
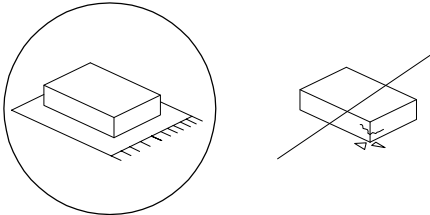
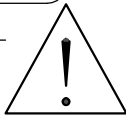
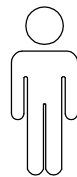
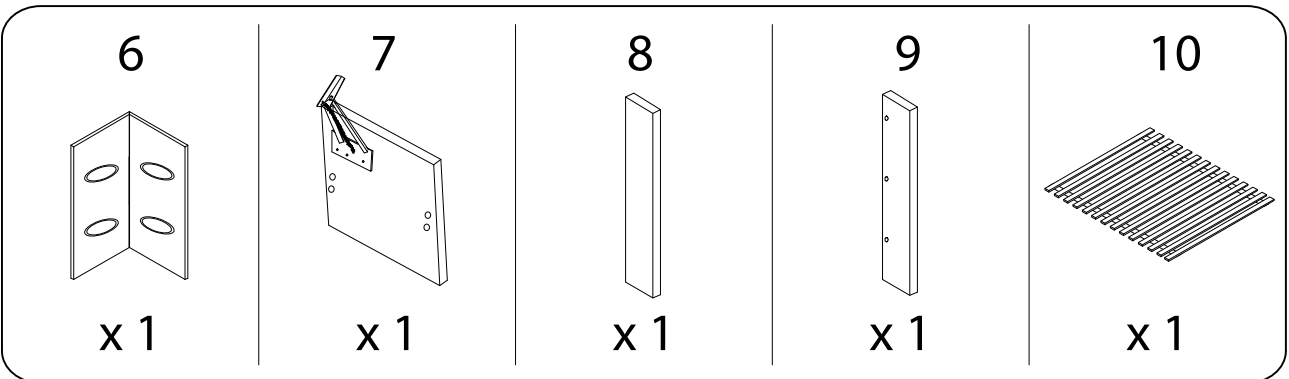
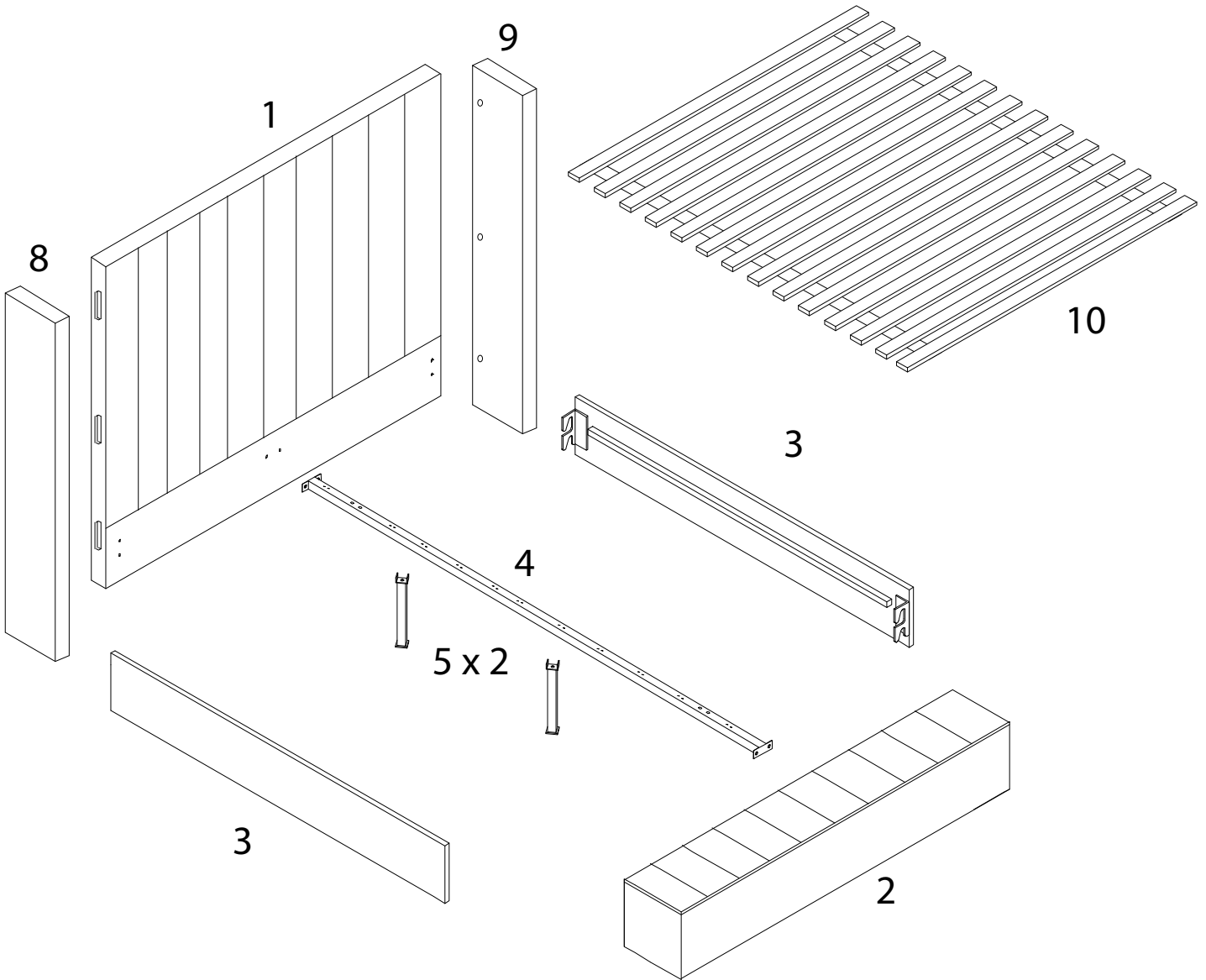
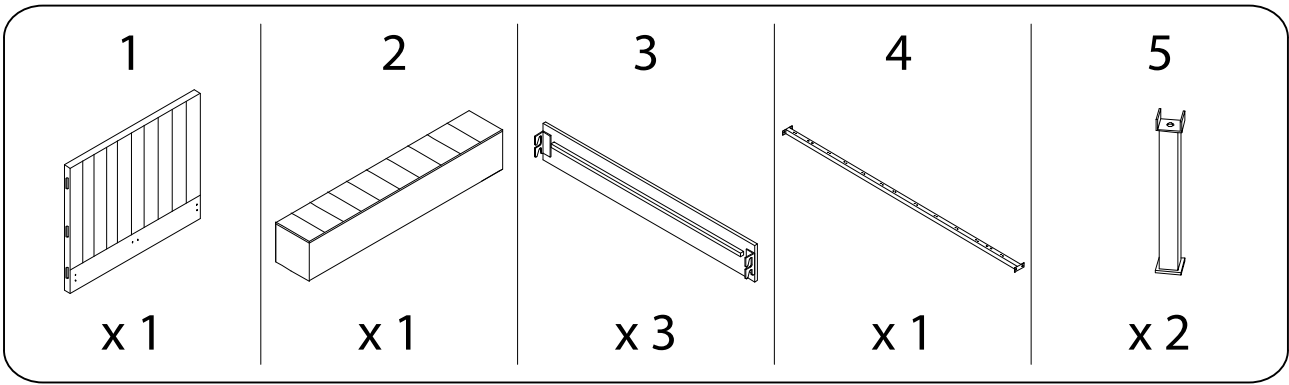


NOYERS

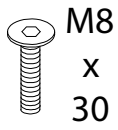




		
		40'
		
		2

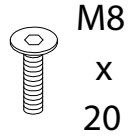


A



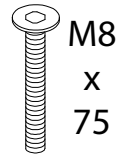
x 10

B



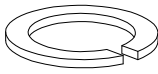
x 10

C



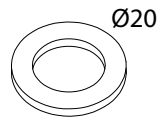
x 6

D



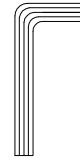
x 8

E



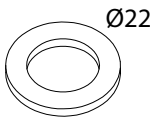
x 20

F



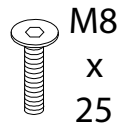
x 1

G



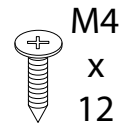
x 6

H



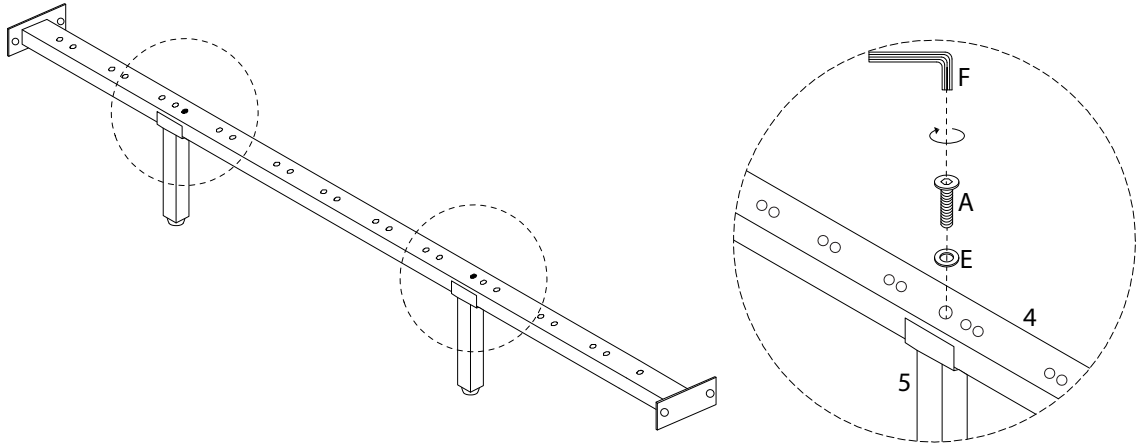
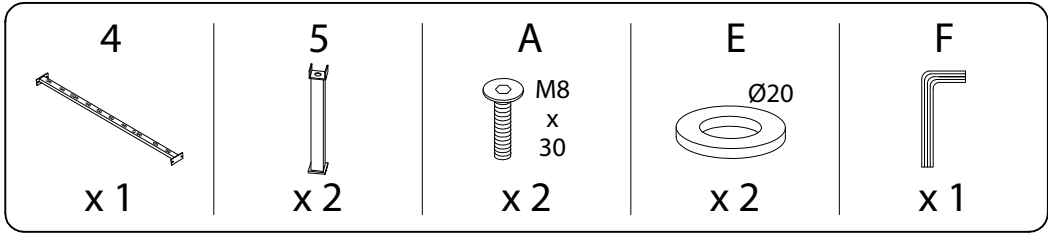
x 4

I

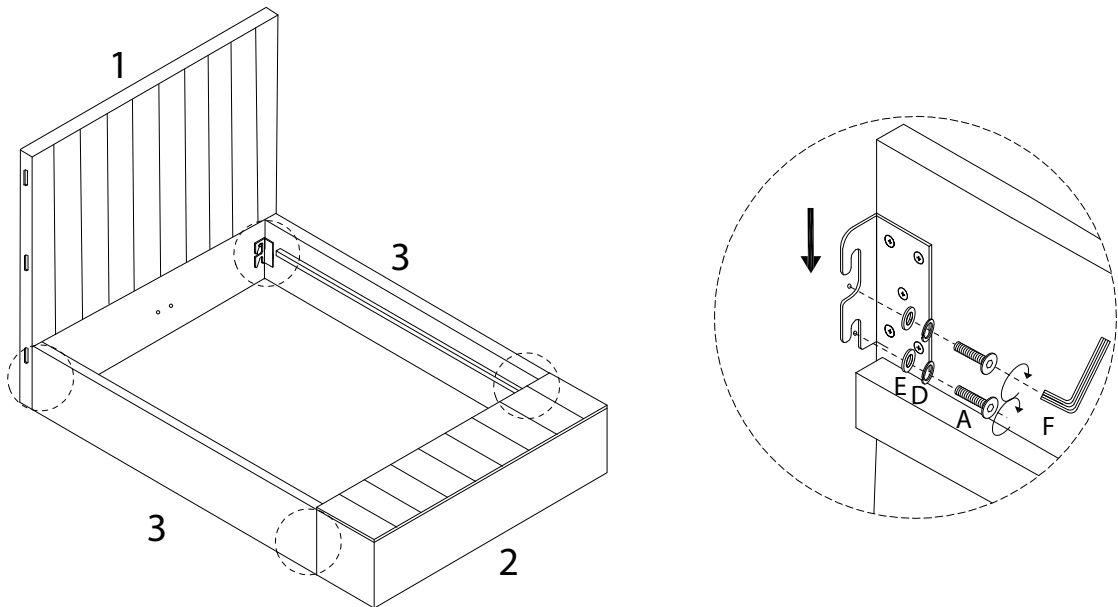
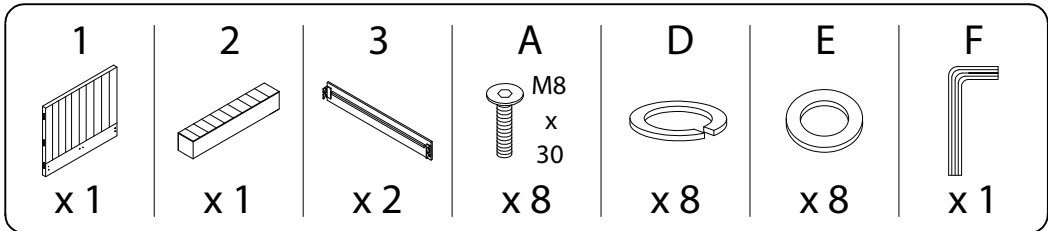


x 6

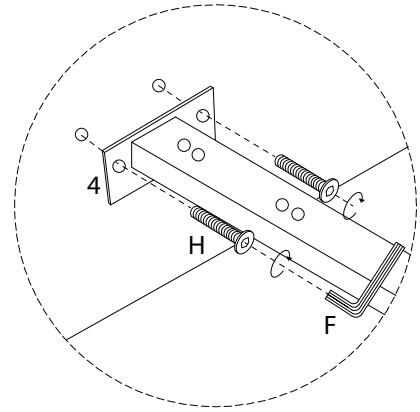
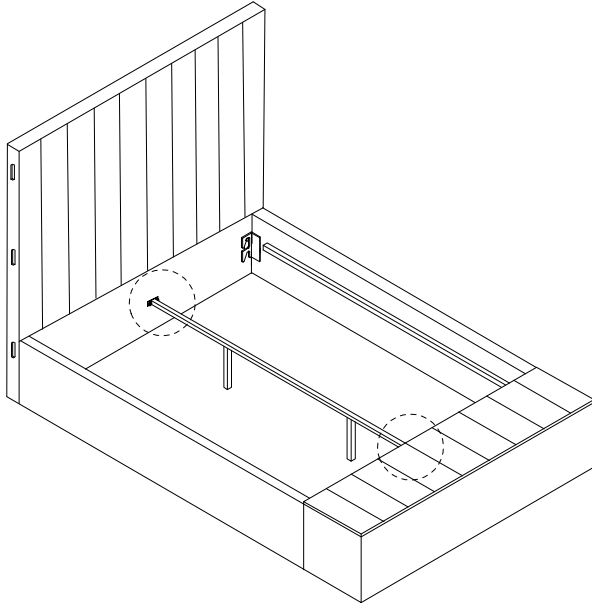
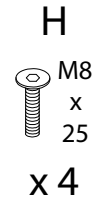
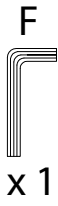
1



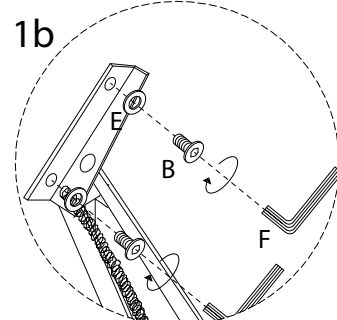
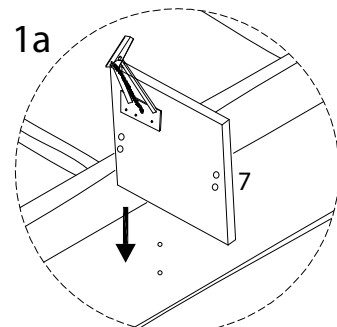
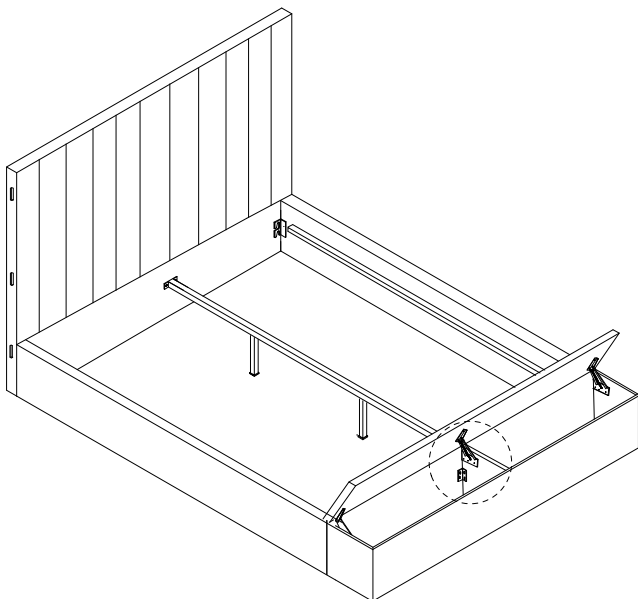
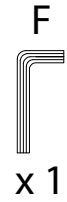
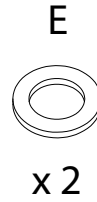
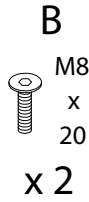
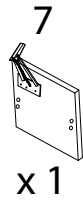
2



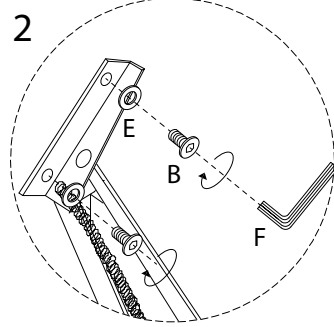
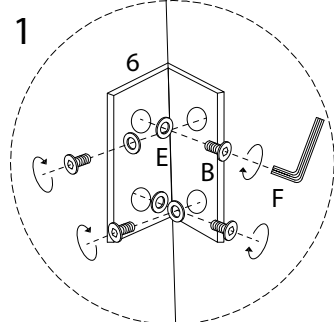
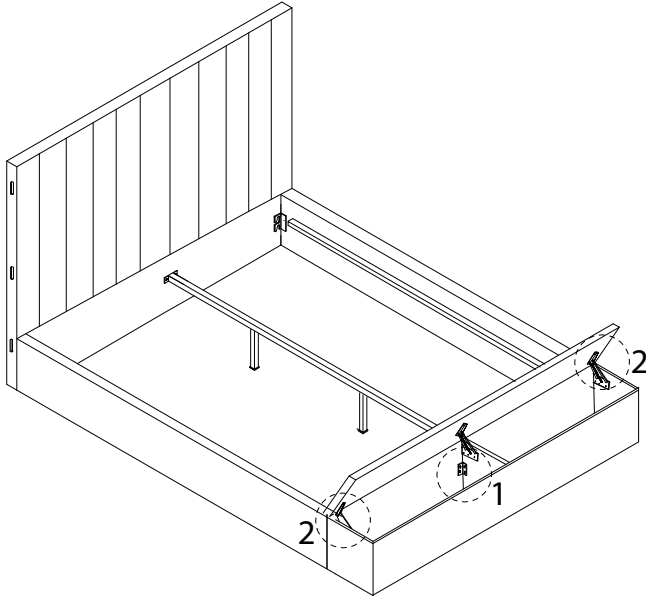
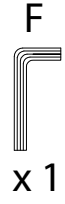
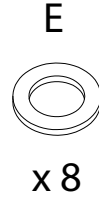
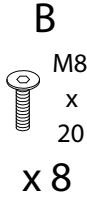
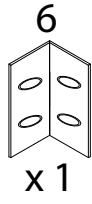
3



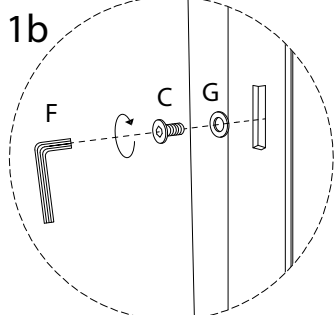
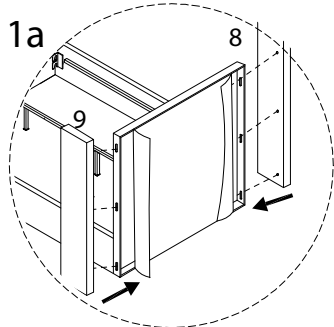
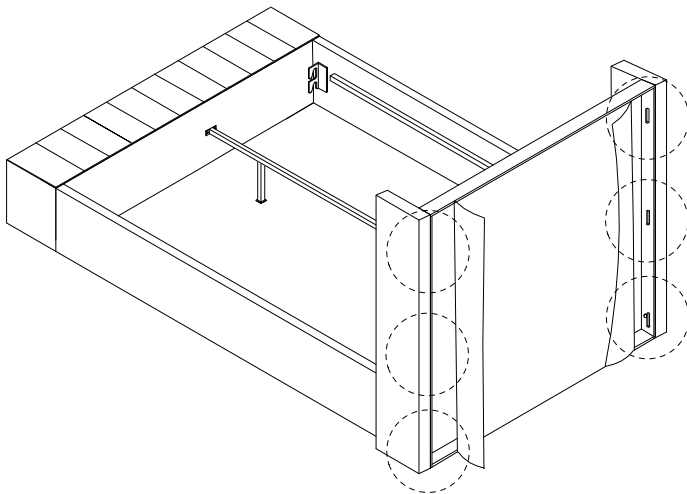
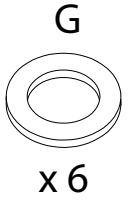
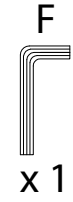
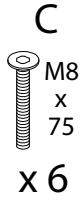
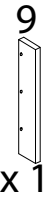
4



5

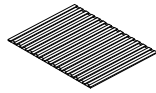


6



7

10



x 1

I



x 6

