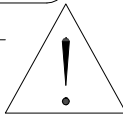
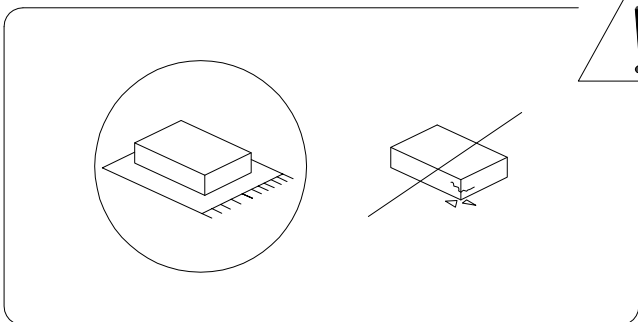
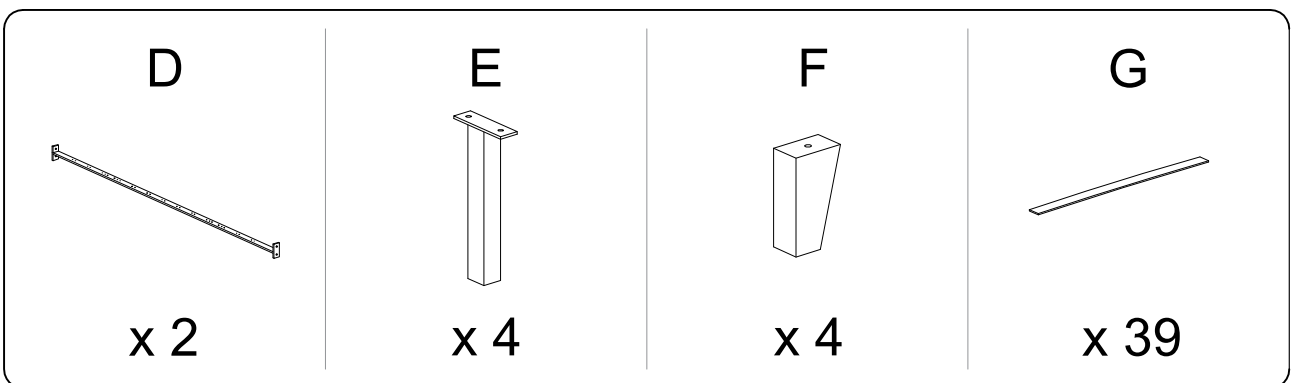
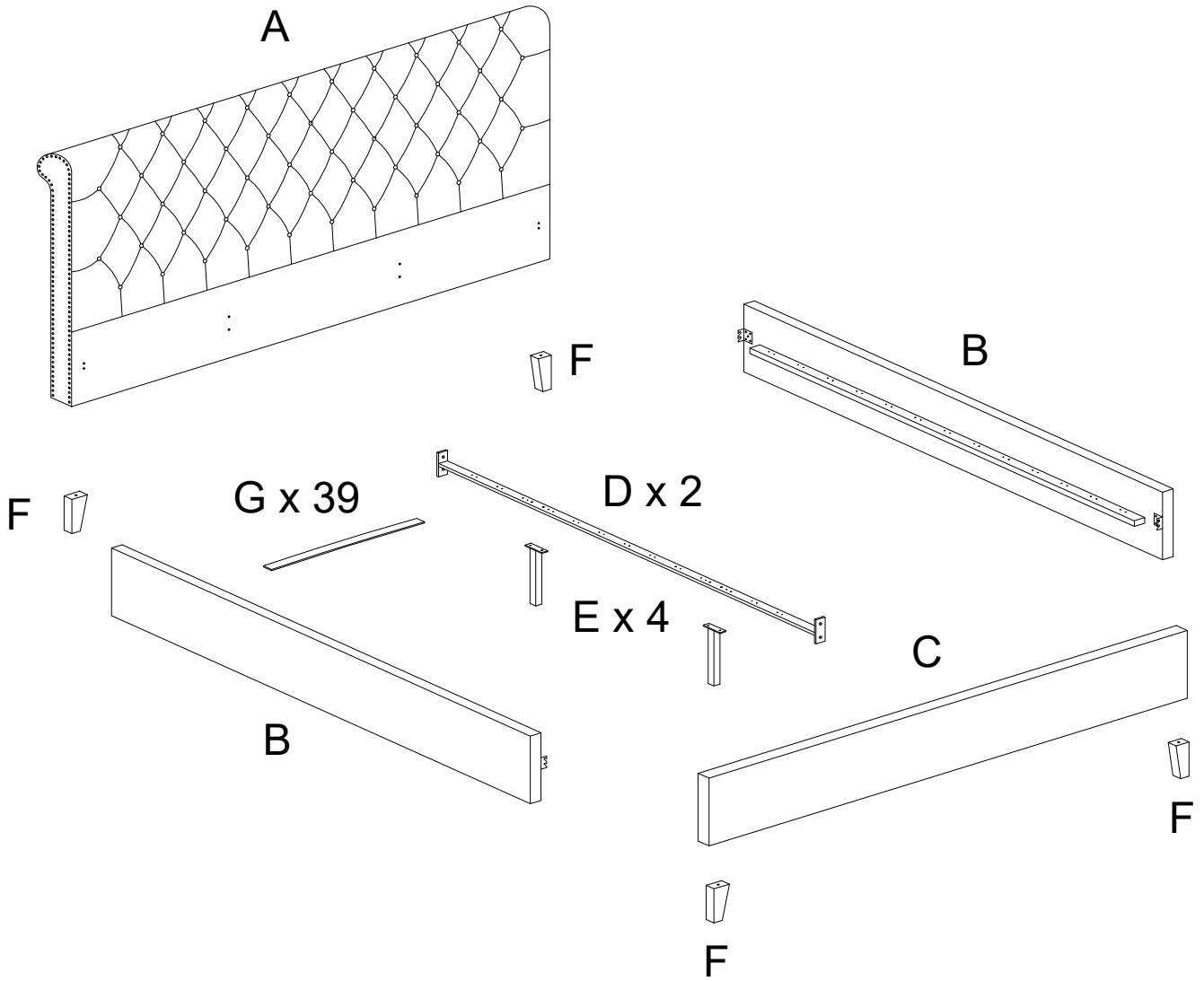
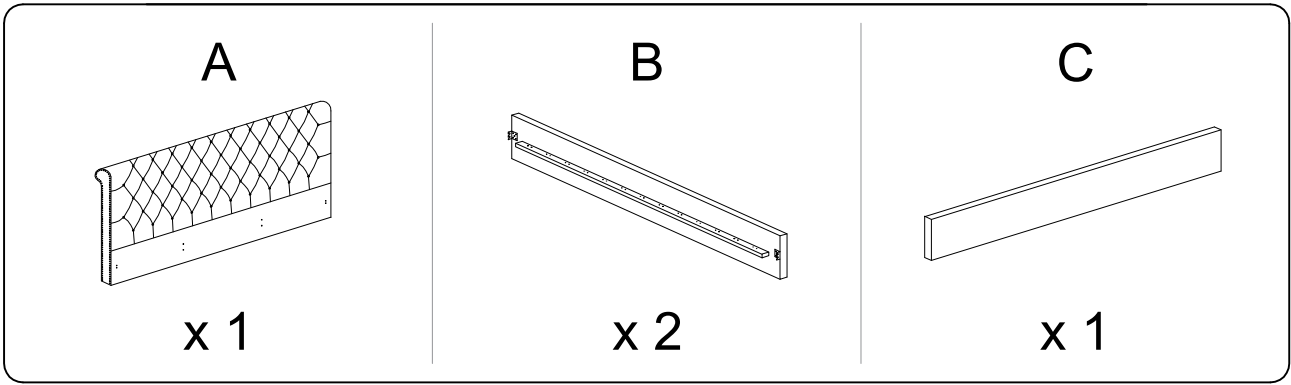


60'

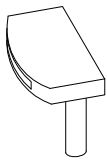


2

1/6

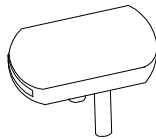


H



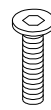
x 26

I



x 26

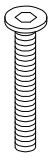
J



M8
x
30

x 8

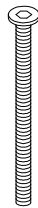
K



M8
x
40

x 16

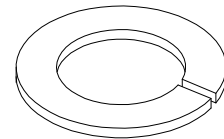
L



M8
x
100

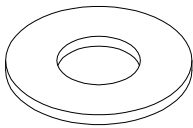
x 4

M



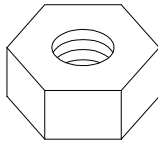
x 28

N



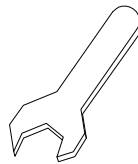
x 28

O



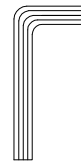
x 8

P



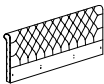


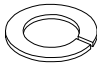

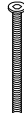
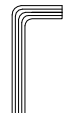
x 1

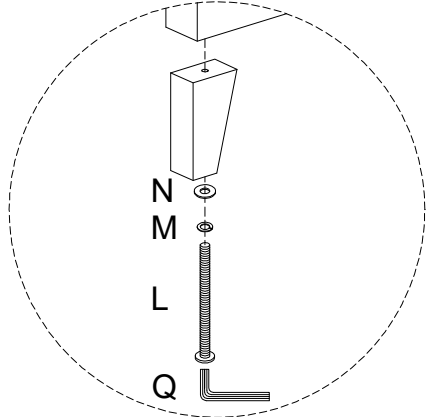
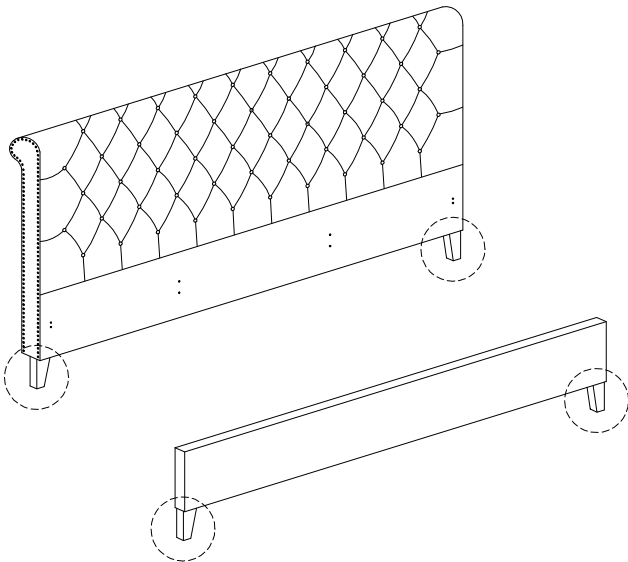
Q




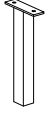



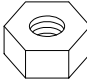
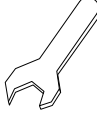
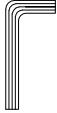
x 1

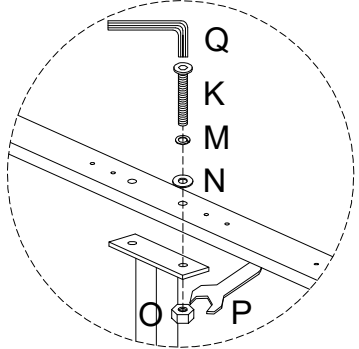
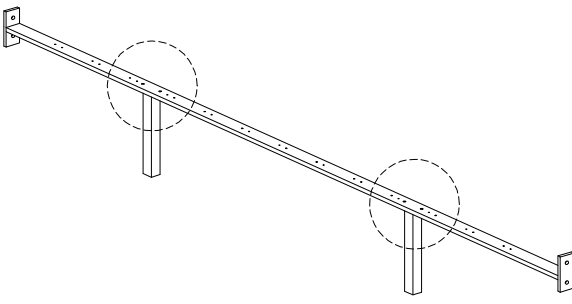
1

A  x 1	C  x 1	F  x 4	M  x 4	N  x 4	L M8 x 100  x 4	Q  x 1
--	--	--	--	---	---	--

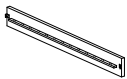
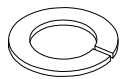
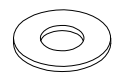
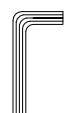


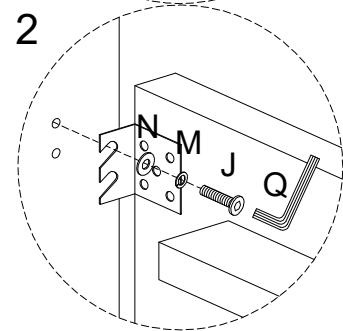
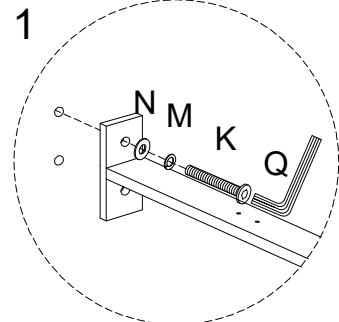
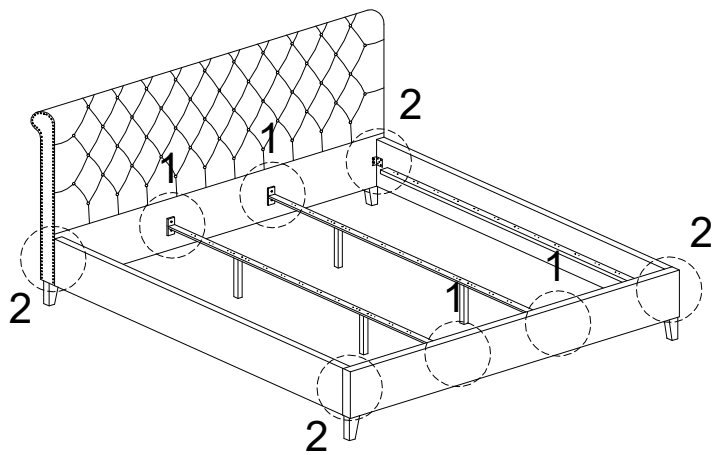
2 x 2

D  x 1	E  x 2	K M8 x 40  x 4	M  x 4
N  x 4	O  x 4	P  x 1	Q  x 1






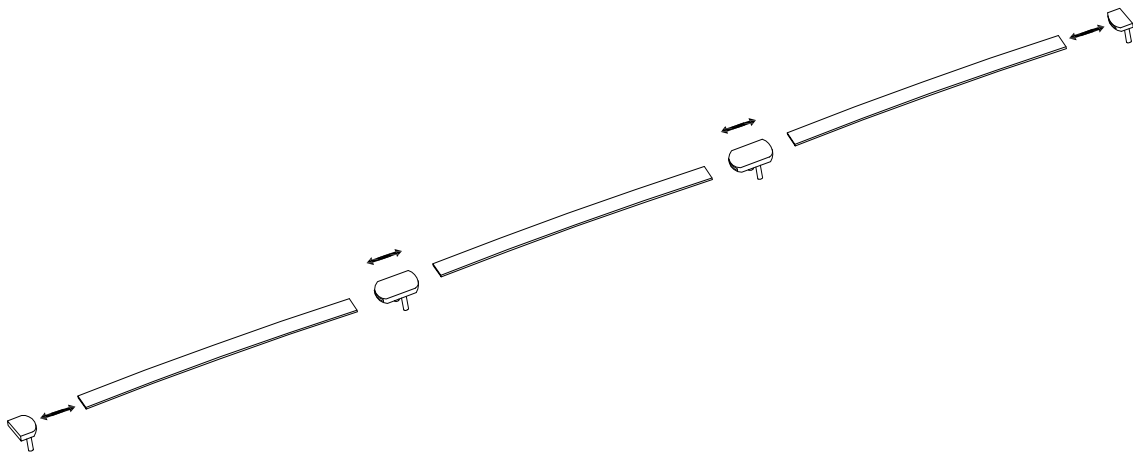
3

B  x 2	J M8 x 30 x 8	K M8 x 40 x 8	M  x 16	N  x 16	Q  x 1
--	----------------------------------	----------------------------------	--	---	--



4

G  x 39	H  x 26	I  x 26
---	---	---



5

