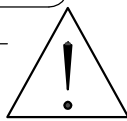
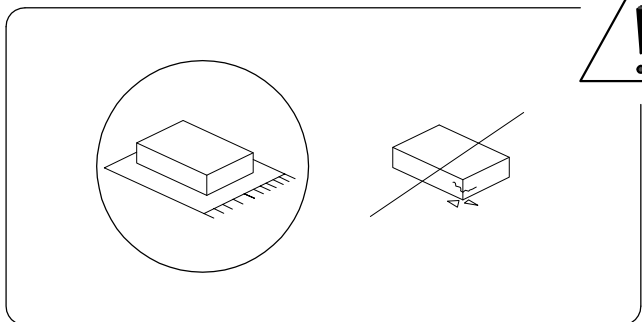
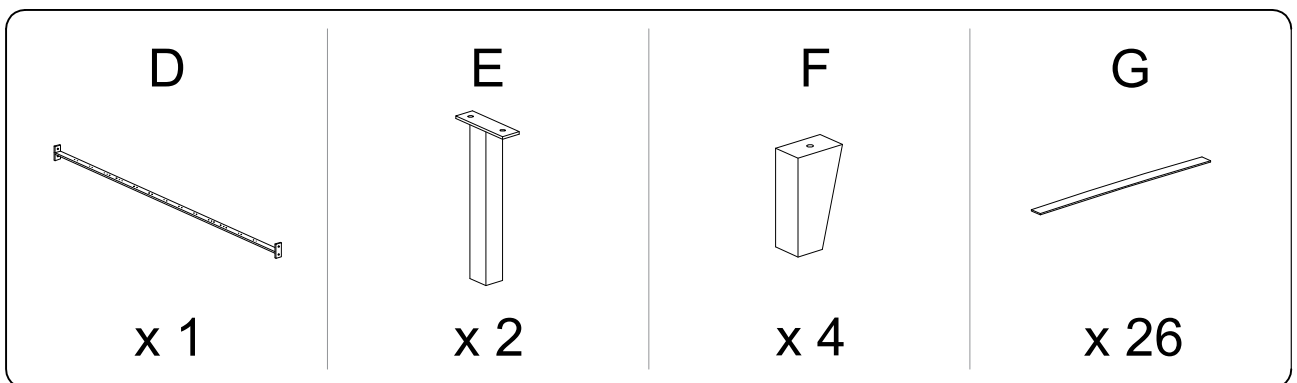
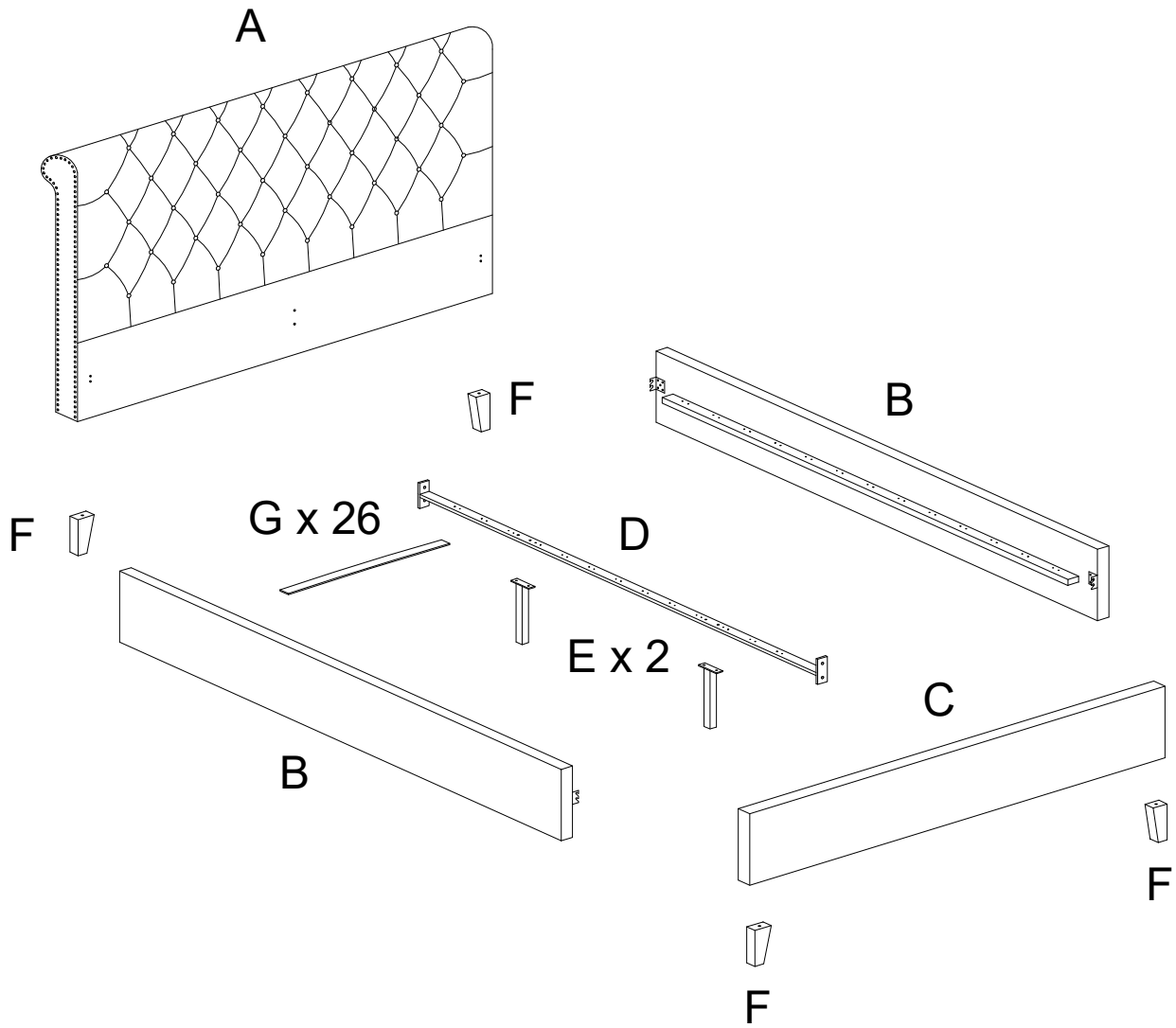
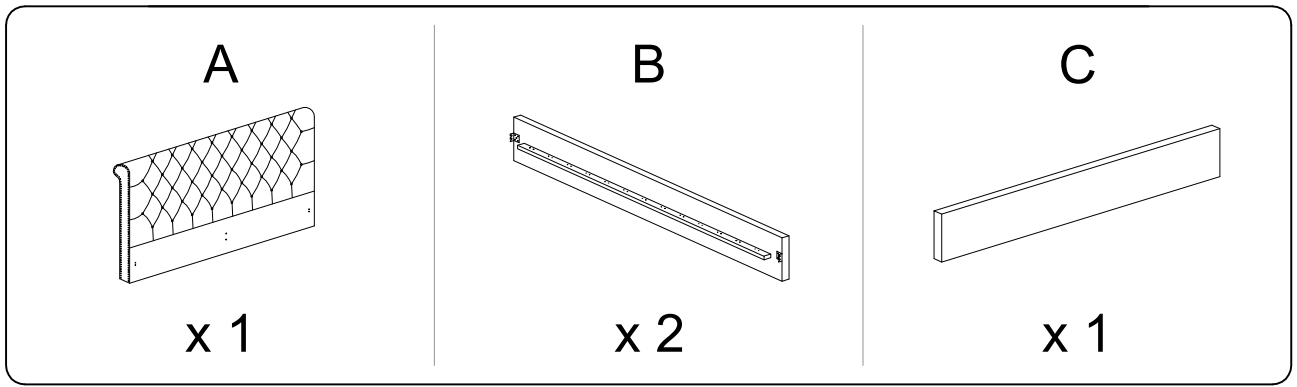


45'

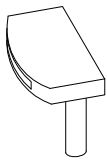


2

1/6

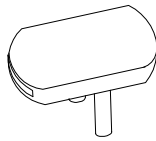


H



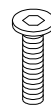
x 26

I



x 13

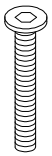
J



M8
x
30

x 8

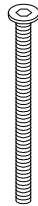
K



M8
x
40

x 8

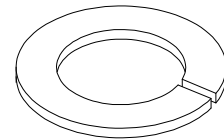
L



M8
x
100

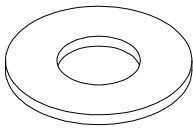
x 4

M



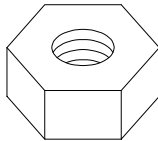
x 20

N



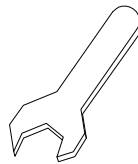
x 20

O



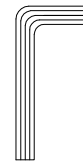
x 4

P



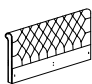

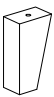
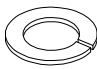
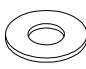
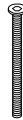
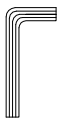
x 1

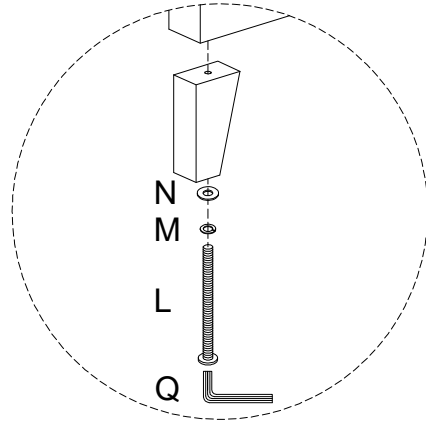
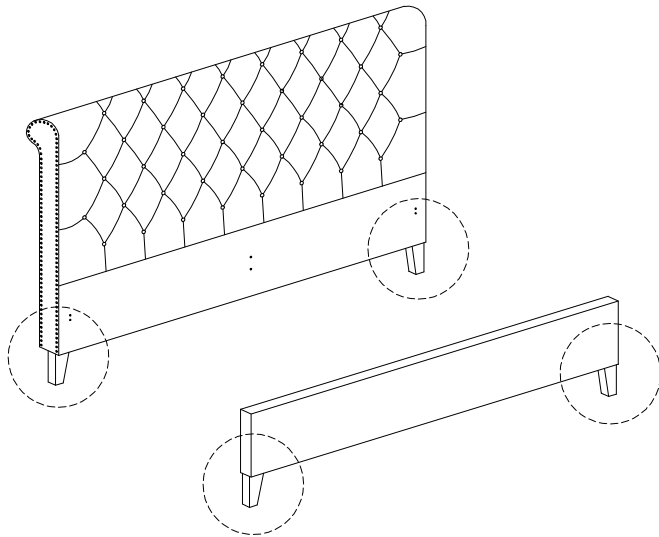
Q




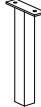


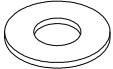
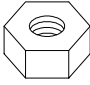
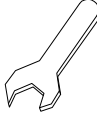
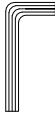
x 1

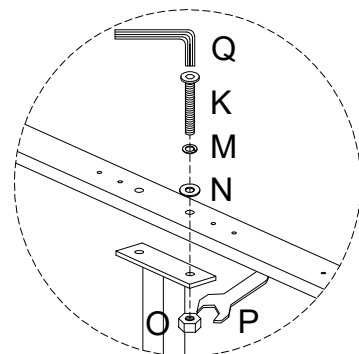
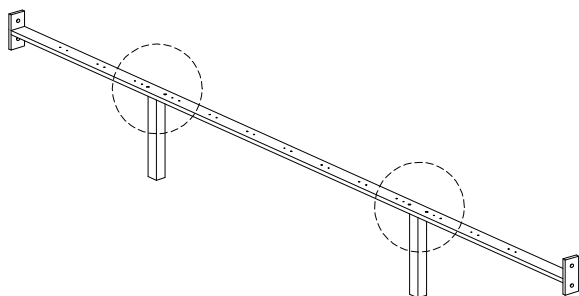
1

A  x 1	C  x 1	F  x 4	M  x 4	N  x 4	L M8 x 100  x 4	Q  x 1
--	--	--	--	---	---	--

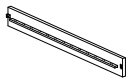
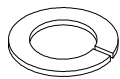
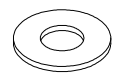
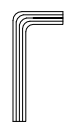


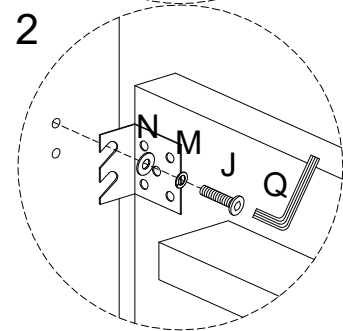
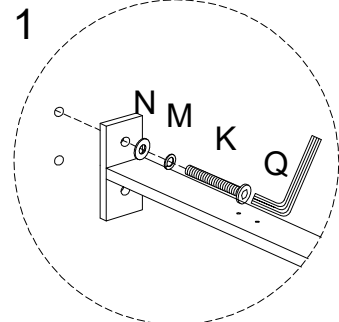
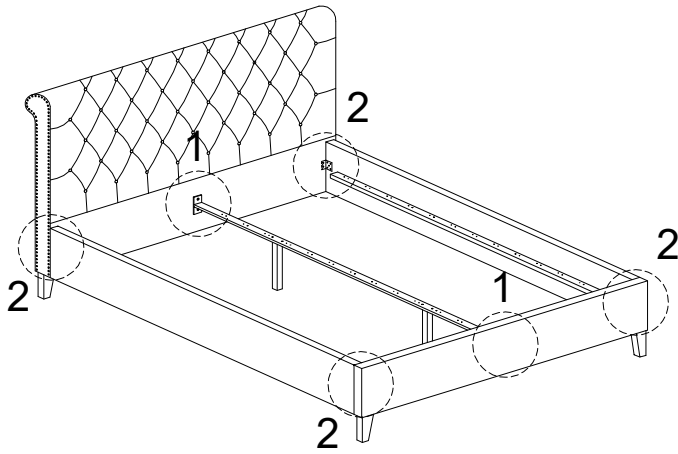
2

D  x 1	E  x 2	K M8 x 40  x 4	M  x 4
N  x 4	O  x 4	P  x 1	Q  x 1



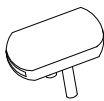


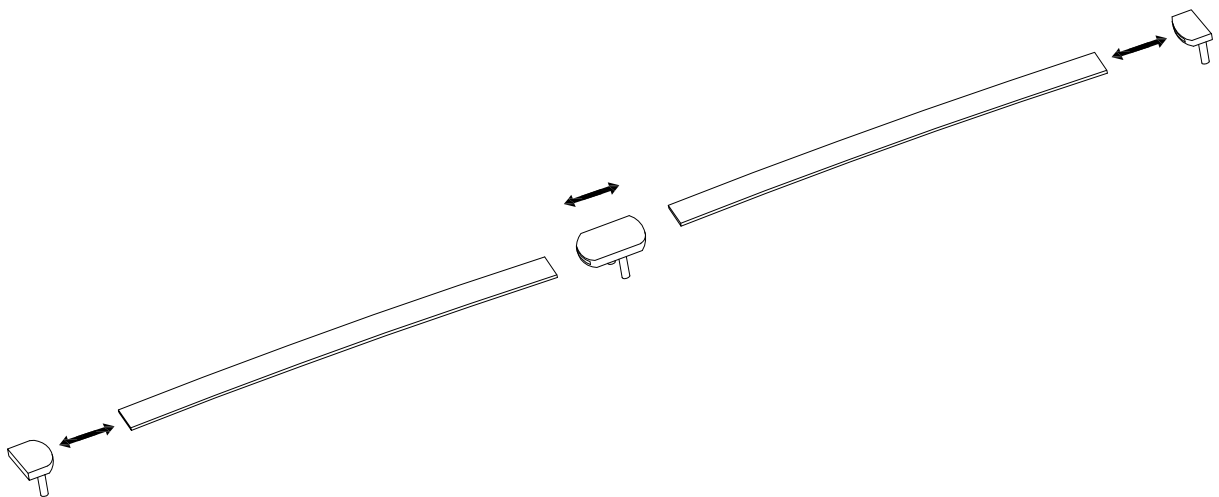
3

B  x 2	J M8 x 30 x 8	K M8 x 40 x 4	M  x 12	N  x 12	Q  x 1
--	-------------------------------	-------------------------------	--	---	--



4

G  x 26	H  x 26	I  x 13
---	---	---



5

